



US00D896698S

(12) **United States Design Patent**
Hung

(10) **Patent No.:** **US D896,698 S**

(45) **Date of Patent:** **** Sep. 22, 2020**

(54) **SLIDER**

(71) Applicant: **IDEAL FASTENER (JIANGSU) LTD.**, Jiangyin, Jiangsu (CN)

(72) Inventor: **Franklin Chi Yen Hung**, Jiangsu (CN)

(73) Assignee: **IDEAL FASTENER (JIANGSU) LTD.**, Jiangyin (CN)

(**) Term: **15 Years**

(21) Appl. No.: **29/676,469**

(22) Filed: **Jan. 11, 2019**

Related U.S. Application Data

(62) Division of application No. 29/626,829, filed on Nov. 20, 2017, now Pat. No. Des. 850,324.

(30) **Foreign Application Priority Data**

Sep. 28, 2017 (CN) 2017 3 0466742

(51) **LOC (12) Cl.** **02-07**

(52) **U.S. Cl.**
USPC **D11/221**

(58) **Field of Classification Search**
USPC D11/200, 201, 221; 24/381-383, 24/385-389, 401, 414-417, 421-422, 24/427-431, 433, 434; 2/265; D2/641, D2/642; 294/3.6; 223/118; D8/33, 34, D8/40

CPC A44B 19/00; A44B 19/02; A44B 19/04; A44B 19/10; A44B 19/26; A44B 19/30; A44B 19/06; A44B 19/34; A44B 19/40; A44B 19/52; A44B 19/38; G02C 3/003; A44H 37/06; B29C 45/14573

See application file for complete search history.

(56) **References Cited**

U.S. PATENT DOCUMENTS

D304,023	S	*	10/1989	Minami	D11/221
5,007,144	A	*	4/1991	Terada	A44B 19/26 24/415
D498,434	S	*	11/2004	Iwase	D11/221
D651,940	S	*	1/2012	Hamada	D11/221
D652,345	S	*	1/2012	Hamada	D11/221
D653,585	S	*	2/2012	Hamada	D11/221
D655,224	S	*	3/2012	Hamada	D11/221
D659,051	S	*	5/2012	Hamada	D11/221
8,453,302	B2	*	6/2013	Keyaki	A44B 19/262 24/419
D709,405	S	*	7/2014	Keyaki	D11/221
D804,989	S	*	12/2017	Hung	D11/221
D828,221	S	*	9/2018	Hsu	D11/221
D830,895	S	*	10/2018	Hung	D11/221
D831,536	S	*	10/2018	Hung	D11/221

(Continued)

Primary Examiner — T Chase Nelson

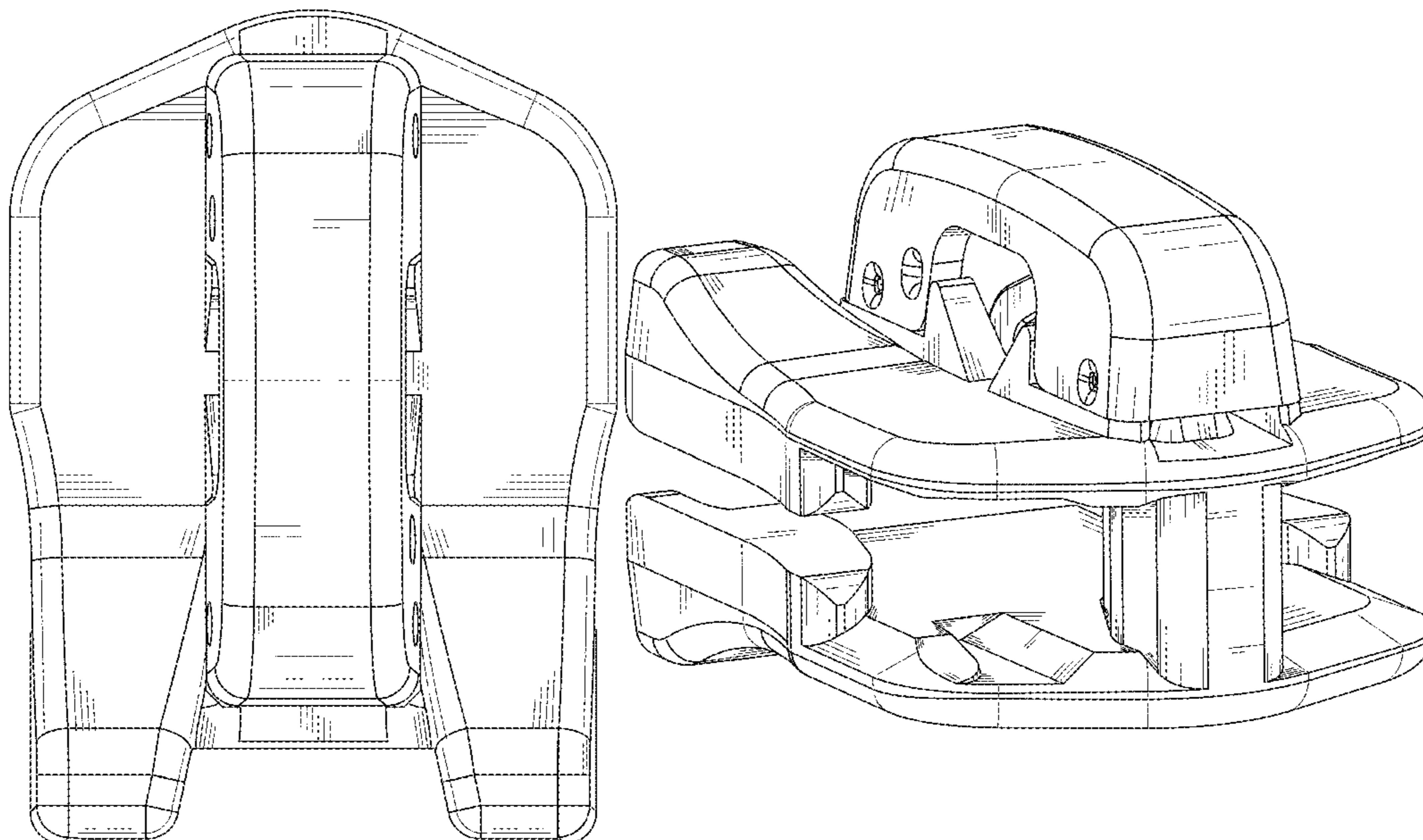
(57) **CLAIM**

The ornamental design for a slider, as shown and described.

DESCRIPTION

FIG. 1 is a front elevational view of a slider showing my new design;
FIG. 2 is a rear elevational view thereof;
FIG. 3 is a left side view thereof;
FIG. 4 is a right side view thereof;
FIG. 5 is a top plan view thereof;
FIG. 6 is a bottom plan view thereof;
FIG. 7 is a top, front and right side perspective view thereof;
FIG. 8 is a bottom, front and left side perspective view thereof; and,
FIG. 9 is a top and rear perspective view thereof.
The broken lines in the drawings illustrate portions of the slider which form no part of the claimed design.

1 Claim, 9 Drawing Sheets



(56)

References Cited

U.S. PATENT DOCUMENTS

D850,324 S * 6/2019 Hung A44B 19/26
D11/221
10,420,400 B1 * 9/2019 Erdal A44B 19/262
10,477,928 B1 * 11/2019 Erdal A44B 19/38
10,492,572 B1 * 12/2019 Omote A44B 19/26
D880,354 S * 4/2020 Hung D11/221
D880,355 S * 4/2020 Hung A44B 19/308
D11/221
D881,750 S * 4/2020 Hung A44B 19/262
D11/221
2018/0132572 A1 * 5/2018 Hung A44B 19/26
2019/0059525 A1 * 2/2019 Hung A44B 19/308
2019/0159555 A1 * 5/2019 Lin A44B 19/26
2019/0159556 A1 * 5/2019 Lin A44B 19/308
2019/0223560 A1 * 7/2019 Lin A44B 19/26
2019/0231035 A1 * 8/2019 Lee A44B 19/28
2019/0357637 A1 * 11/2019 Hamada A44B 19/262
2020/0000182 A1 * 1/2020 Lin A44B 19/26

* cited by examiner

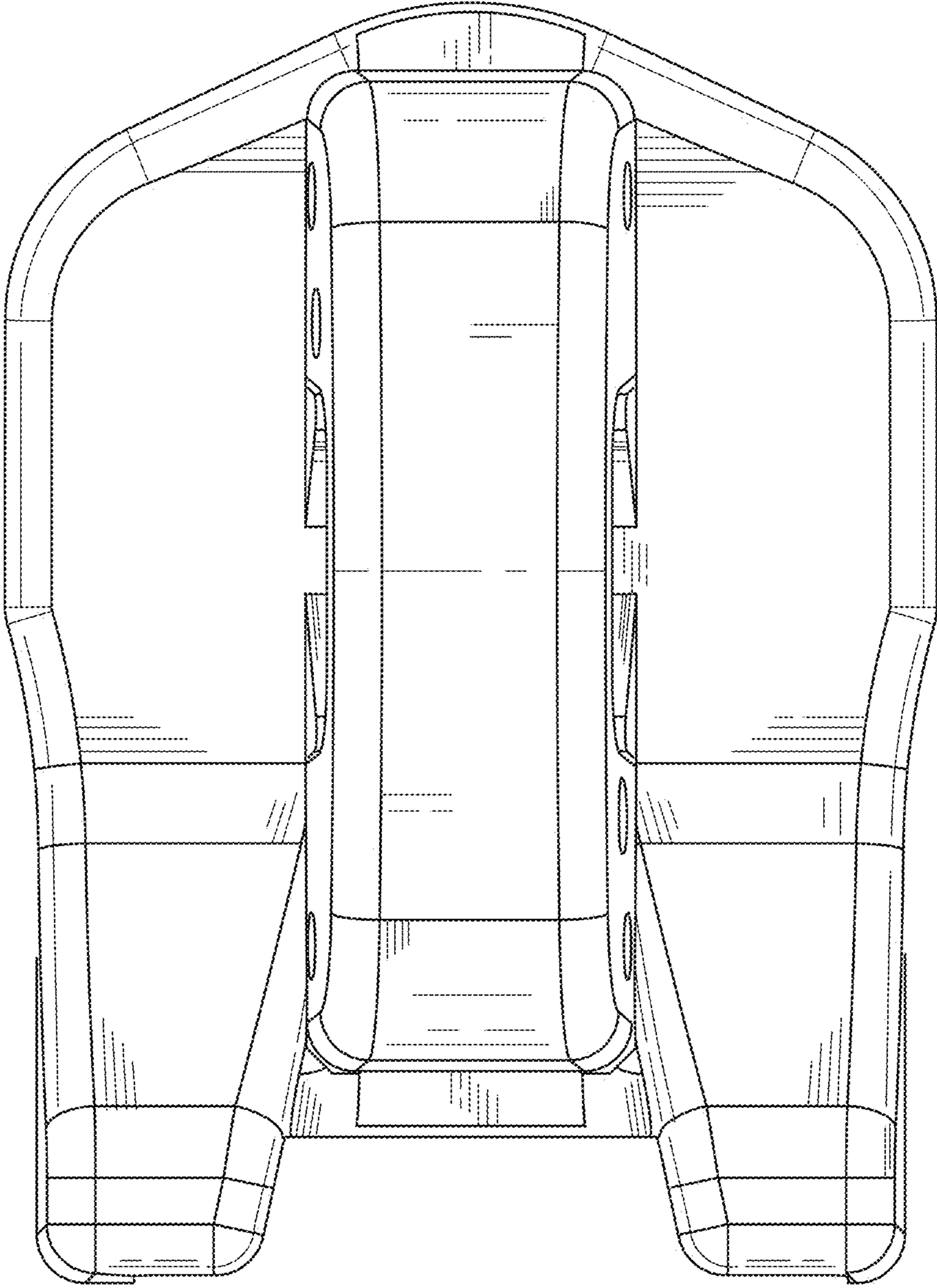


Fig. 1

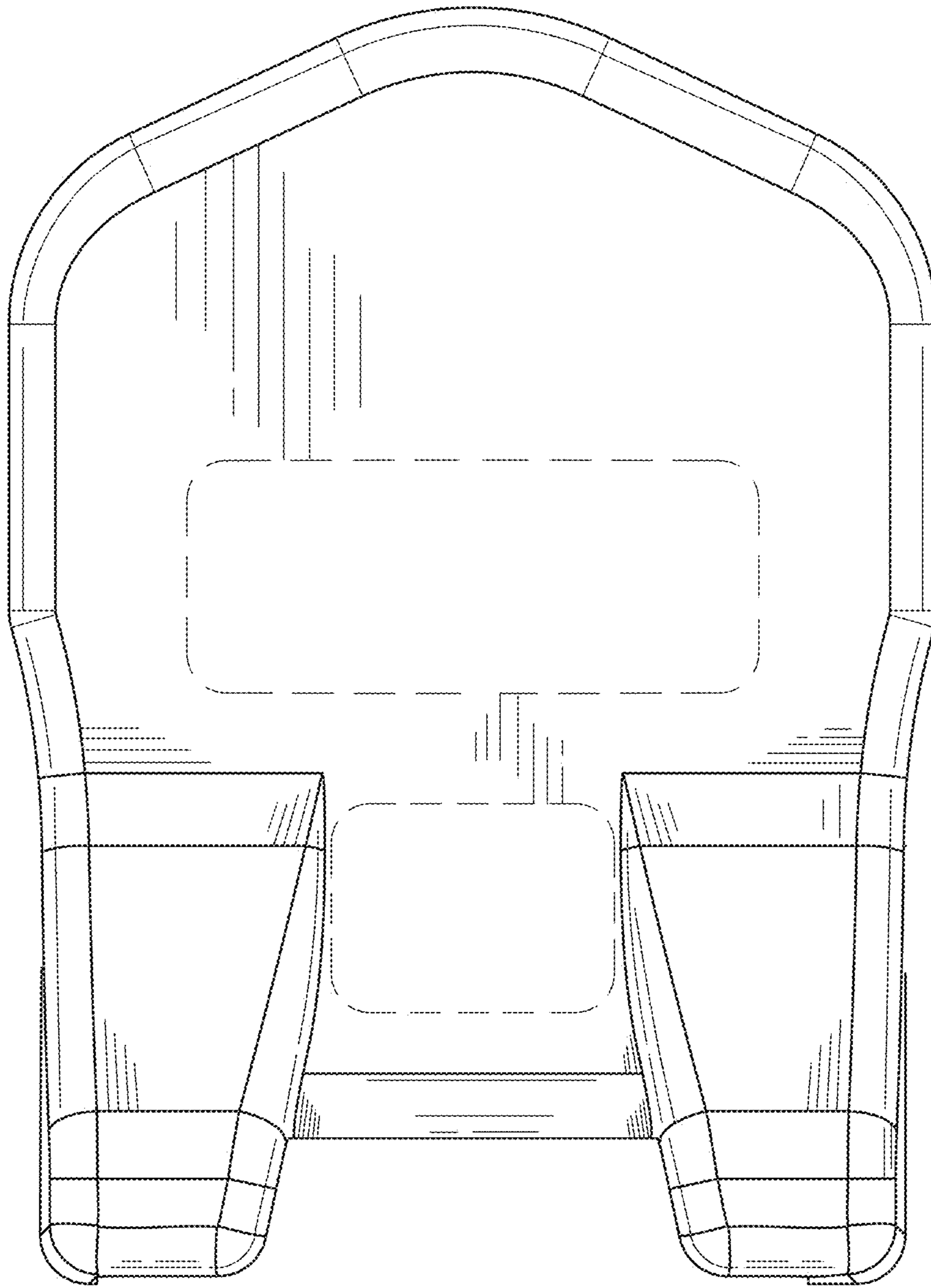


Fig. 2

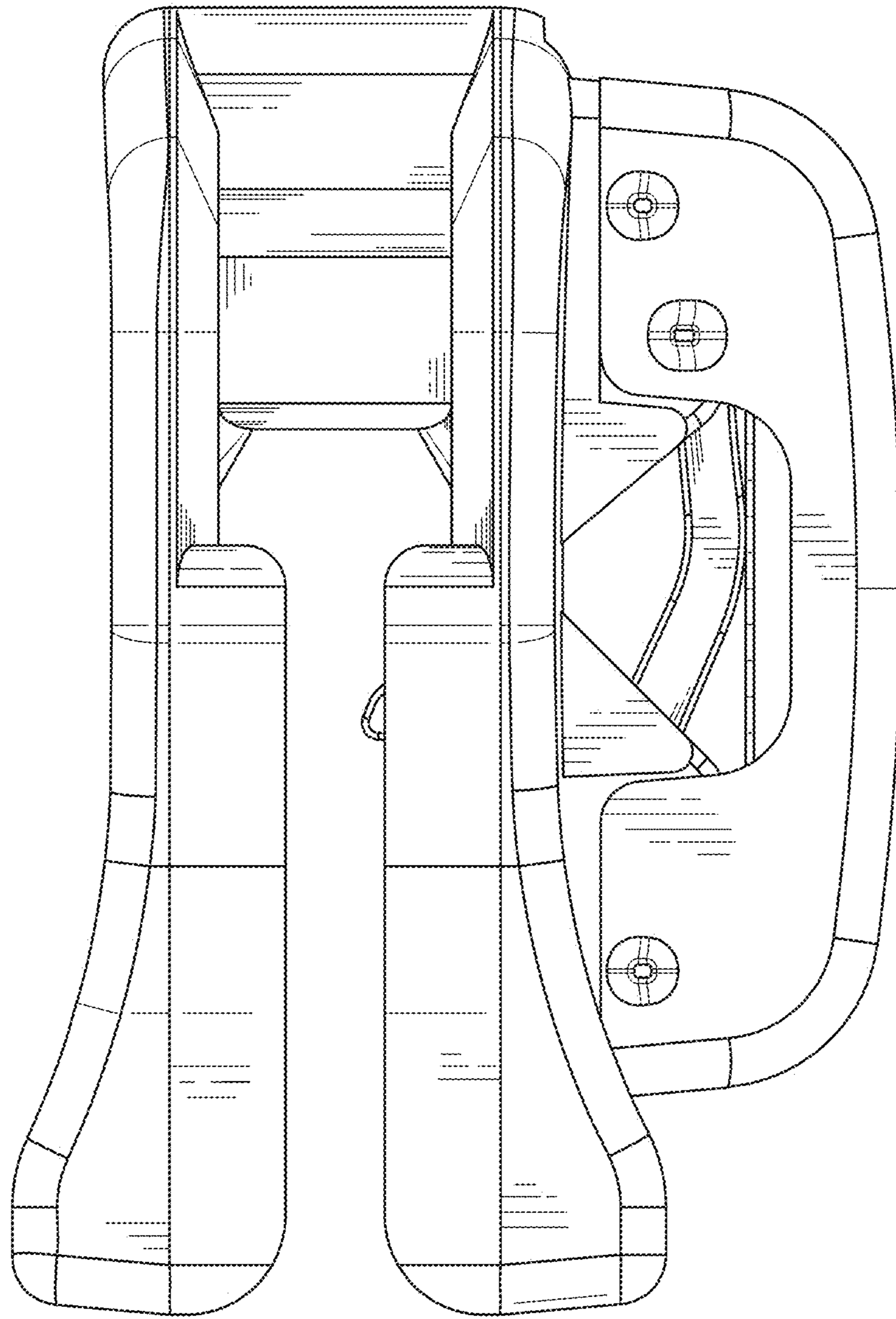


Fig. 3

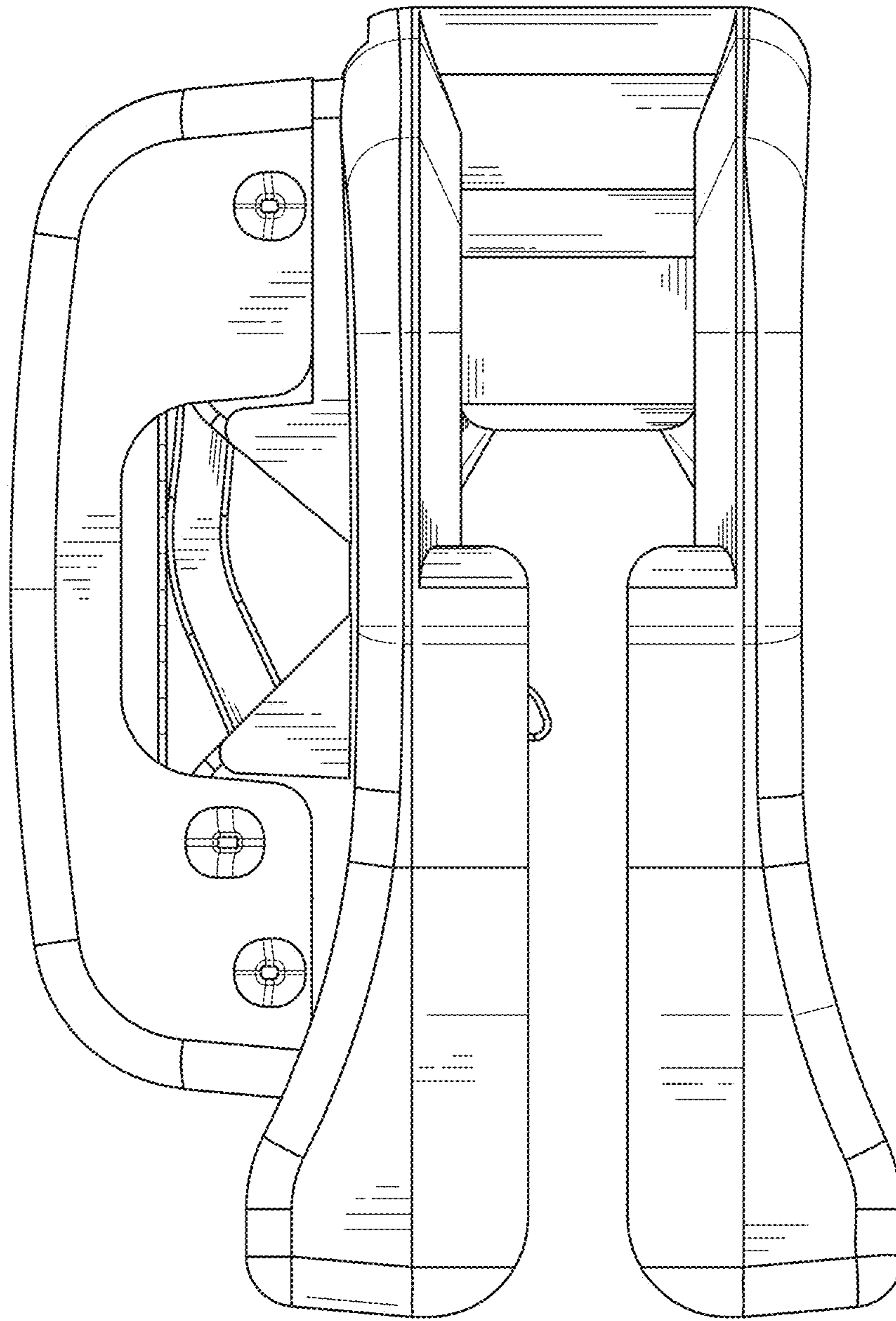


Fig. 4

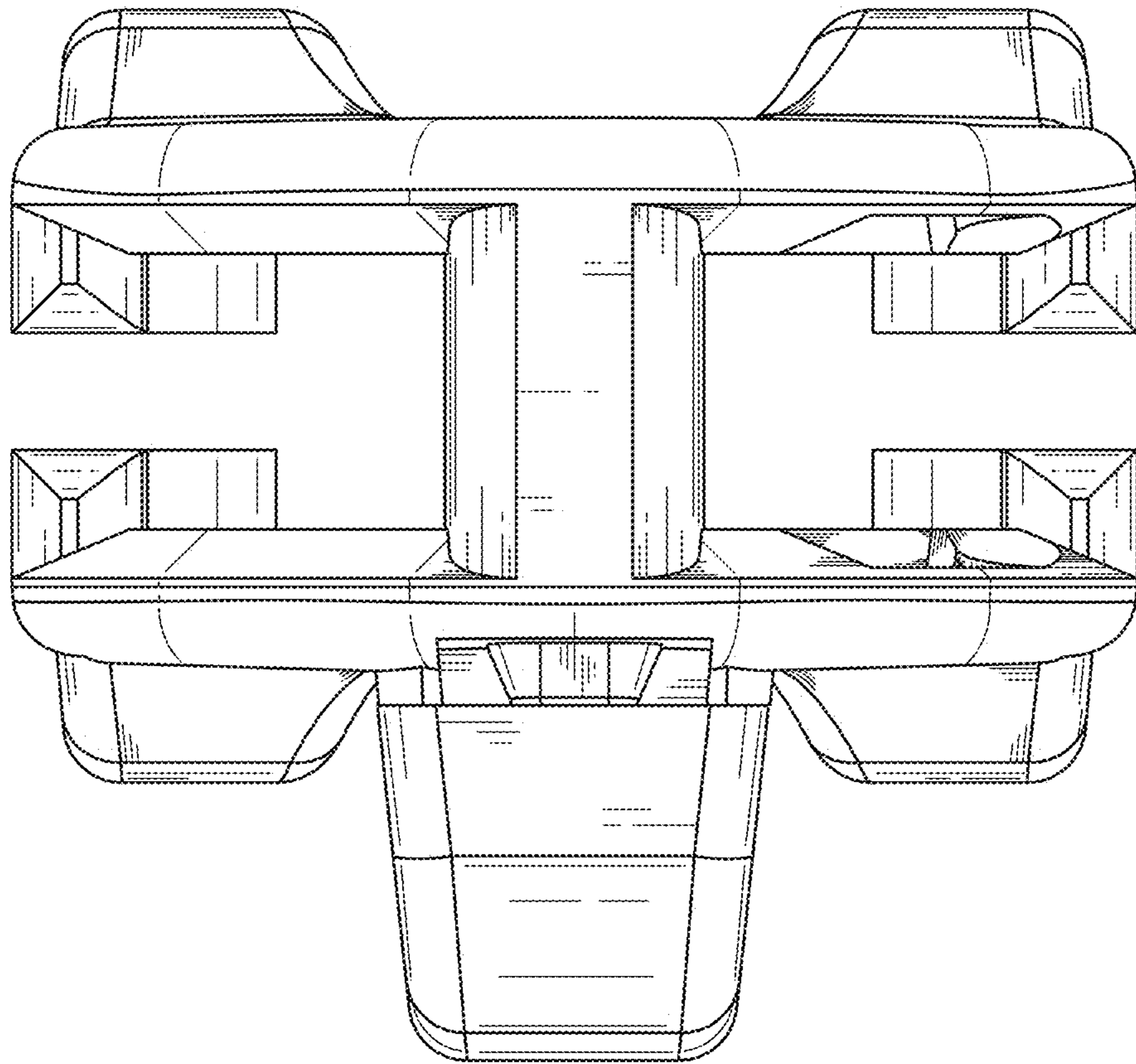


Fig. 5

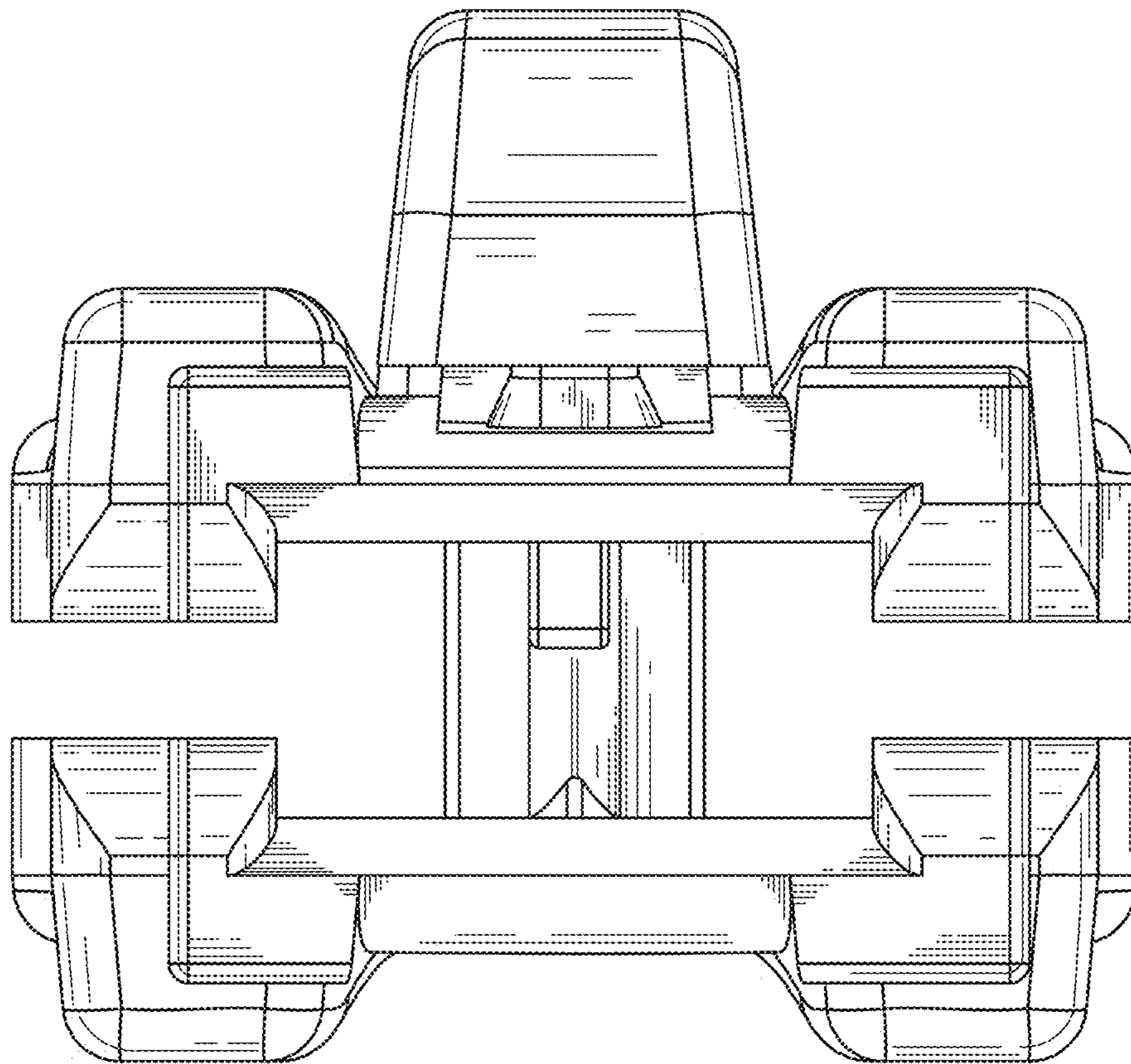


Fig. 6

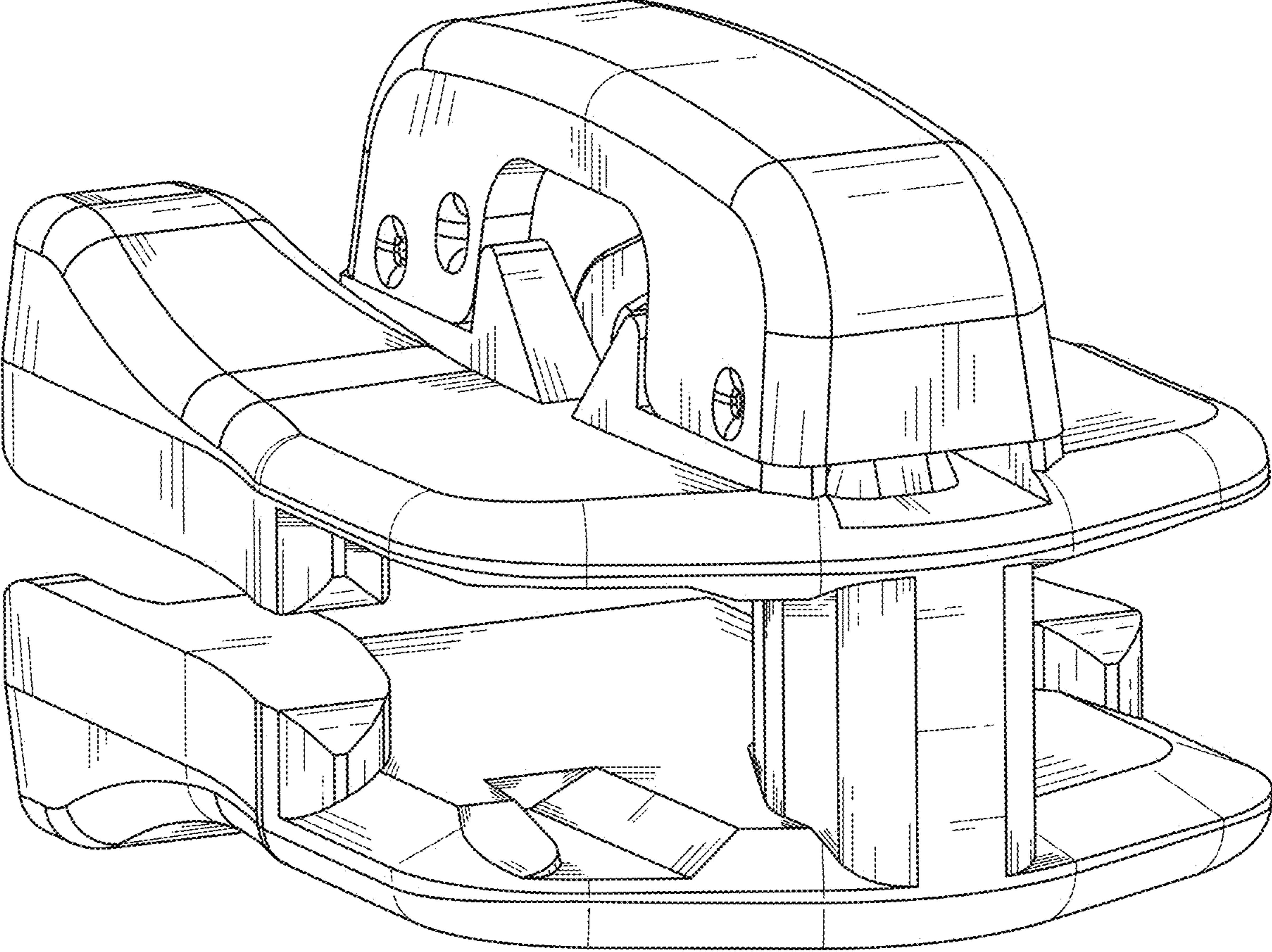


Fig. 7

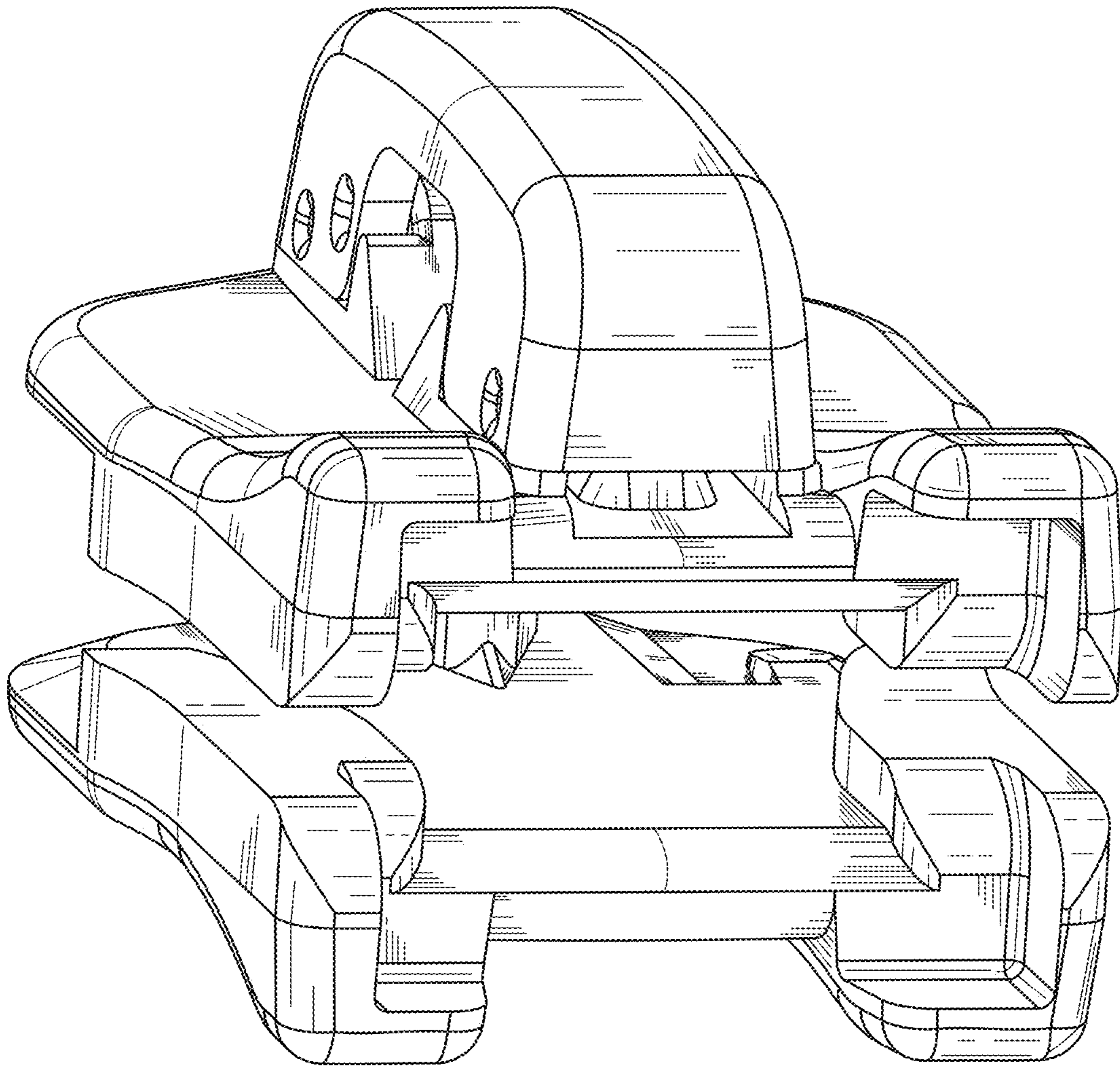


Fig. 8

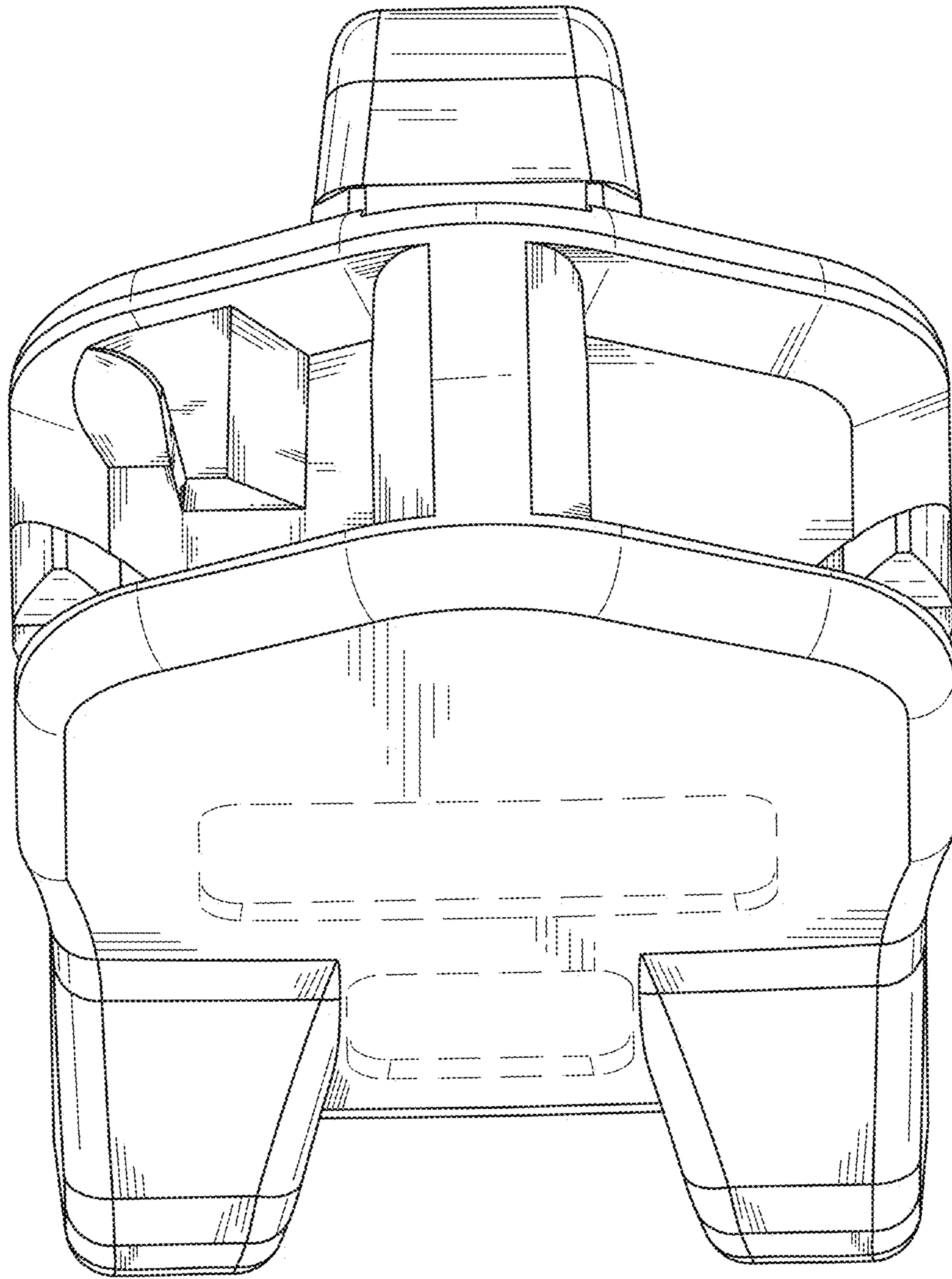


Fig. 9