



US00D896695S

(12) **United States Design Patent**
Falvai

(10) **Patent No.:** **US D896,695 S**

(45) **Date of Patent:** **** Sep. 22, 2020**

(54) **RIGID COUPLER**

(71) Applicant: **Mark Falvai**, Malibu, CA (US)

(72) Inventor: **Mark Falvai**, Malibu, CA (US)

(**) Term: **15 Years**

(21) Appl. No.: **29/685,418**

(22) Filed: **Mar. 28, 2019**

(51) **LOC (12) Cl.** **02-07**

(52) **U.S. Cl.**
USPC **D11/218**

(58) **Field of Classification Search**
USPC D8/354, 382, 19, 356, 394, 383;
D11/210, 212, 218; D30/152, 153, 154
CPC A44B 11/00; A44B 11/02; A44B 11/04;
Y10T 24/4077; Y10T 24/4084; Y10T
24/4079; Y10T 24/4088; A01K 27/005;
A01K 27/002; A01K 27/007

See application file for complete search history.

(56) **References Cited**

U.S. PATENT DOCUMENTS

D25,563 S *	6/1896	Mueller	D8/383
1,853,889 A *	4/1932	Alterson	A44B 11/04 24/312
1,860,170 A *	5/1932	Bronson	A44B 11/04 24/198
2,040,958 A *	5/1936	Schottenfels	A41F 11/02 24/198
2,212,862 A *	8/1940	Hirsh	A44B 11/04 24/198
2,224,773 A *	12/1940	Shaulson	A44B 11/28 24/200
D130,138 S *	10/1941	Rosenberg	D11/218
2,293,562 A *	8/1942	Rosenthal	A44B 11/04 24/200
2,643,431 A *	6/1953	Schwarz	A41F 15/002 24/200

3,121,270 A *	2/1964	Van Den Broek	B65D 63/16 24/312
3,161,931 A *	12/1964	Zif	A41F 1/006 24/200
5,040,273 A *	8/1991	Hoffman	A41F 1/00 24/199
5,177,837 A *	1/1993	Rekuc	A44B 11/00 24/198
5,432,985 A *	7/1995	Bernart	A44B 11/04 24/200
5,613,467 A *	3/1997	Arakawa	B60R 22/10 119/792
5,644,822 A *	7/1997	Frew	A44B 11/02 24/193
D445,723 S *	7/2001	Kim	D11/218

(Continued)

Primary Examiner — Sandra Snapp

Assistant Examiner — Ieisha N Price

(74) *Attorney, Agent, or Firm* — Trent Baker; Baker IP
PLLC

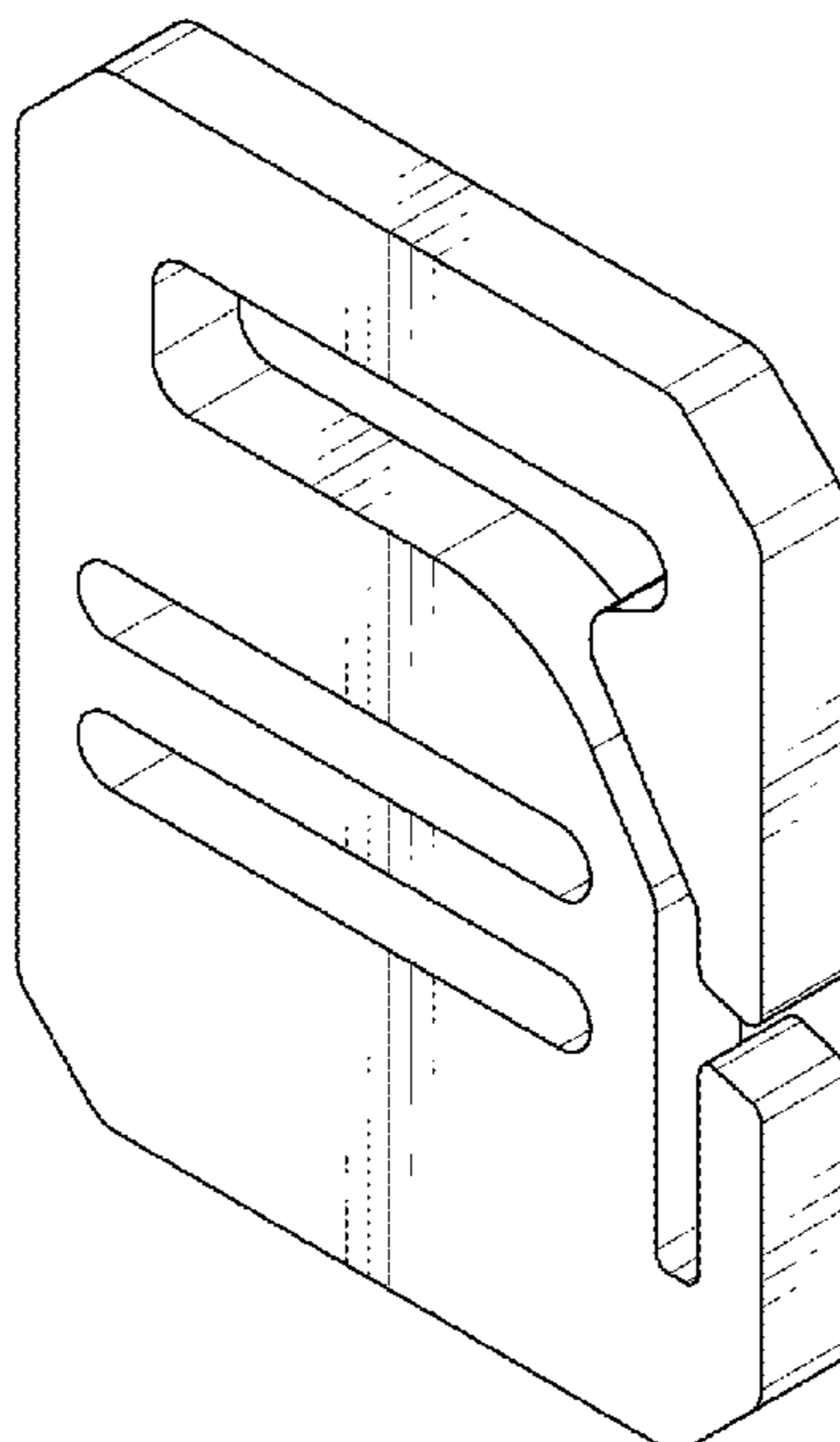
(57) **CLAIM**

The ornamental design for a rigid coupler, as shown and described.

DESCRIPTION

FIG. 1 is a perspective view of the rigid coupler showing the design;
FIG. 2 is a front view of the rigid coupler showing the design;
FIG. 3 is a rear view of the rigid coupler showing the design;
FIG. 4 is a left view of the rigid coupler showing the design;
FIG. 5 is a right view of the rigid coupler showing the design;
FIG. 6 is a top view of the rigid coupler showing the design;
and,
FIG. 7 is a bottom view view of the rigid coupler showing the design.

1 Claim, 5 Drawing Sheets



(56)

References Cited

U.S. PATENT DOCUMENTS

D511,122 S * 11/2005 Hum D11/210
D666,525 S * 9/2012 Anderson D11/210
D704,594 S * 5/2014 Cherin D11/210
D784,191 S * 4/2017 Quigley D11/210
D799,372 S * 10/2017 Paik D11/218
D815,982 S * 4/2018 Chang D11/218
D818,391 S * 5/2018 Chang D11/208
D824,800 S * 8/2018 Blume D11/200
D848,899 S * 5/2019 Chang D11/210
D863,101 S * 10/2019 Chang D11/218
D881,488 S * 4/2020 Allen D30/199
2005/0066484 A1 * 3/2005 Hum A44B 11/04
24/321
2007/0089277 A1 * 4/2007 Bacalso A44B 11/2503
24/200
2008/0155792 A1 * 7/2008 Yeh A44B 11/04
24/169
2013/0298311 A1 * 11/2013 Gerenda A41F 9/025
2/235
2014/0140784 A1 * 5/2014 Vick A44B 11/04
410/97
2014/0310921 A1 * 10/2014 Mohri A41F 9/002
24/199
2014/0338157 A1 * 11/2014 Iannello A45F 5/02
24/318
2015/0034020 A1 * 2/2015 Santos A44B 11/04
119/771
2018/0343982 A1 * 12/2018 Chang A44B 11/02
2019/0246607 A1 * 8/2019 Chen A01K 27/001
2020/0156927 A1 * 5/2020 Bates B68C 1/14

* cited by examiner

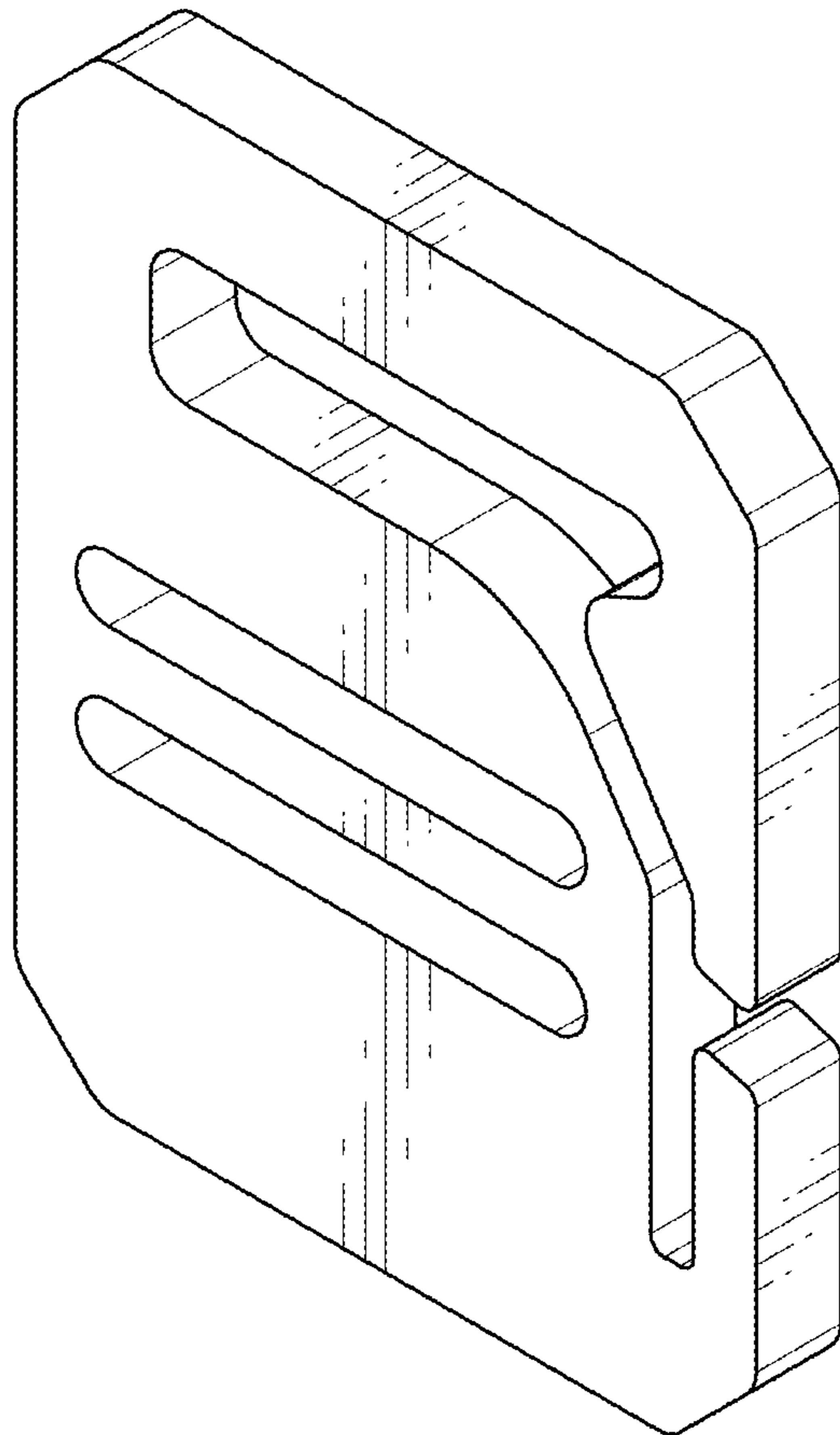


FIG. 1

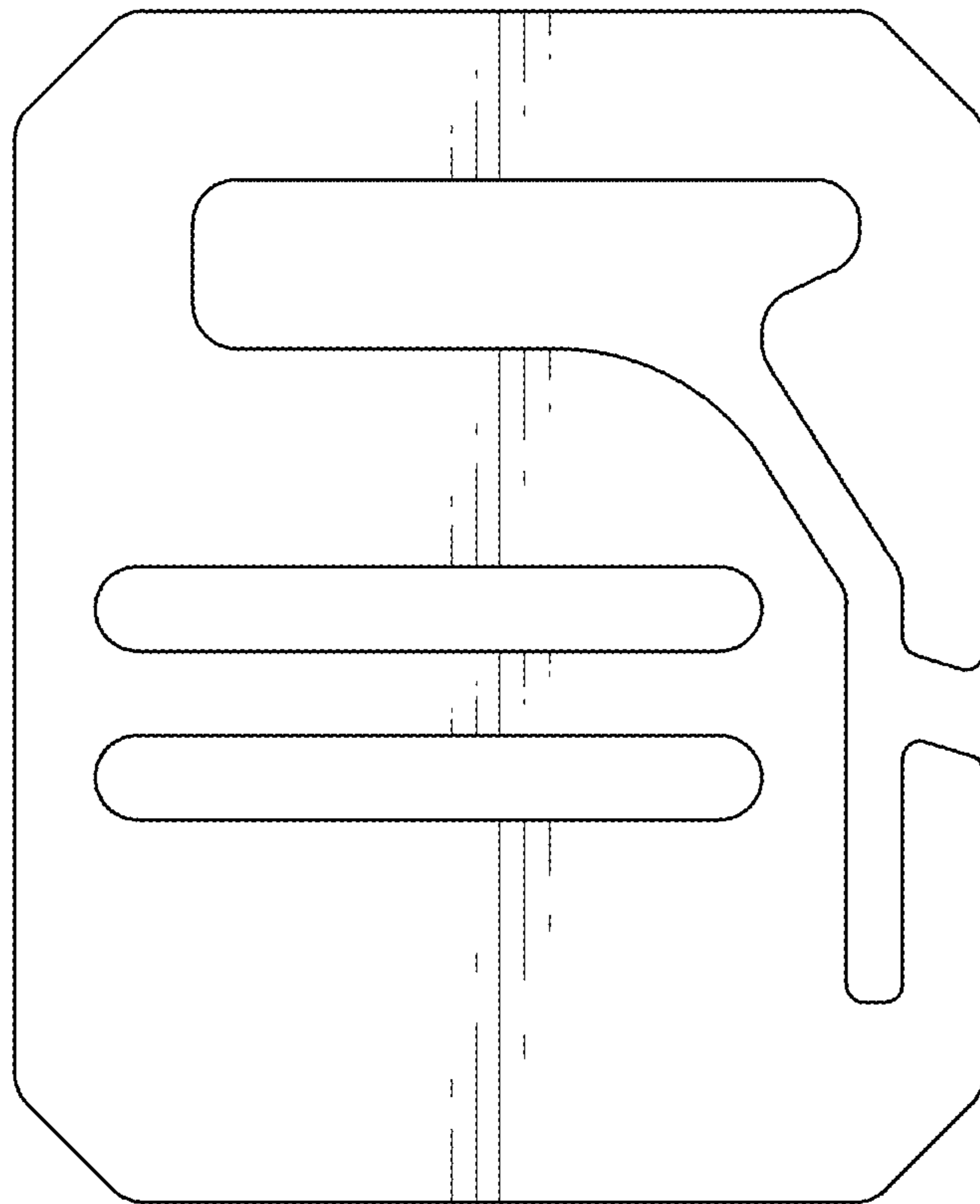


FIG. 2

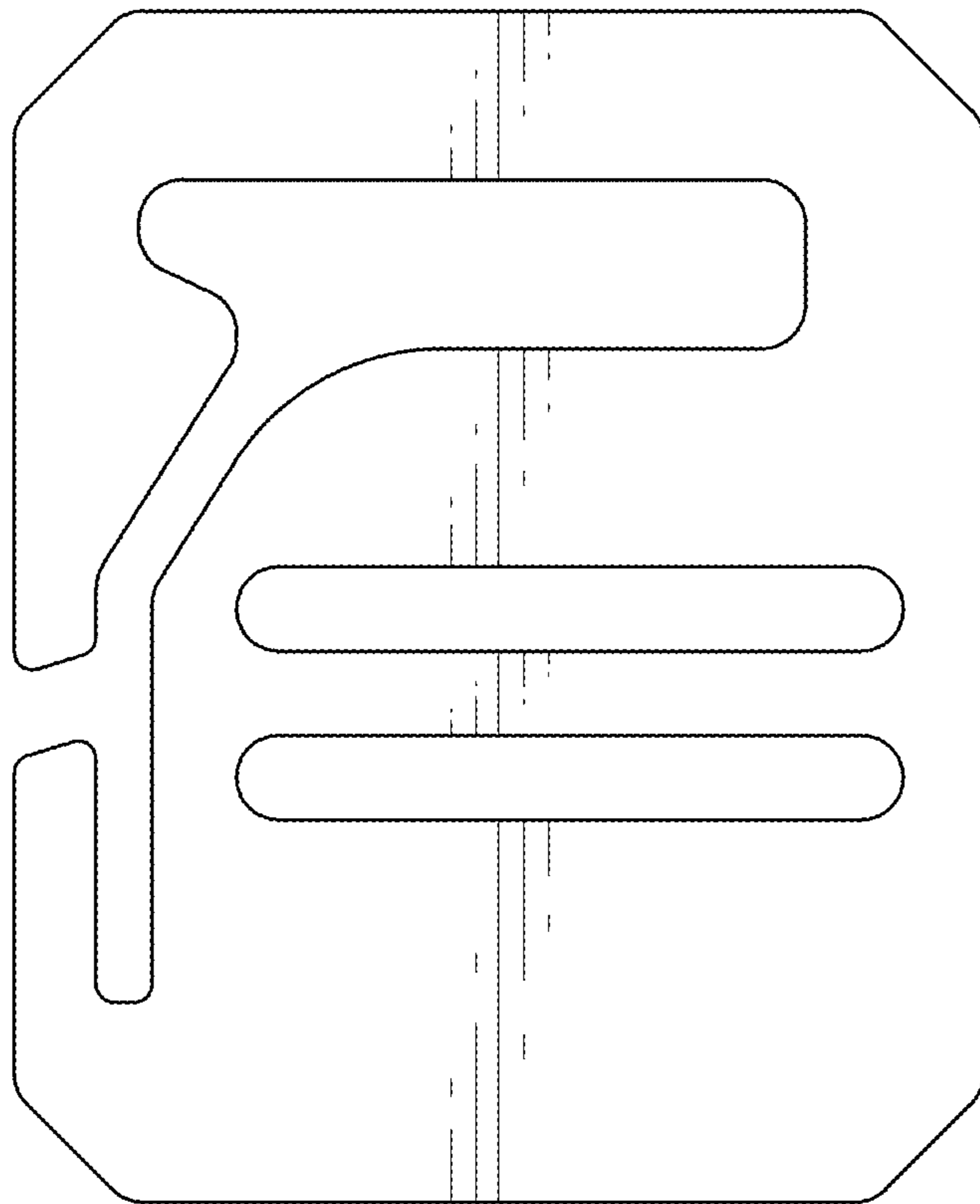


FIG. 3



FIG. 4



FIG. 5

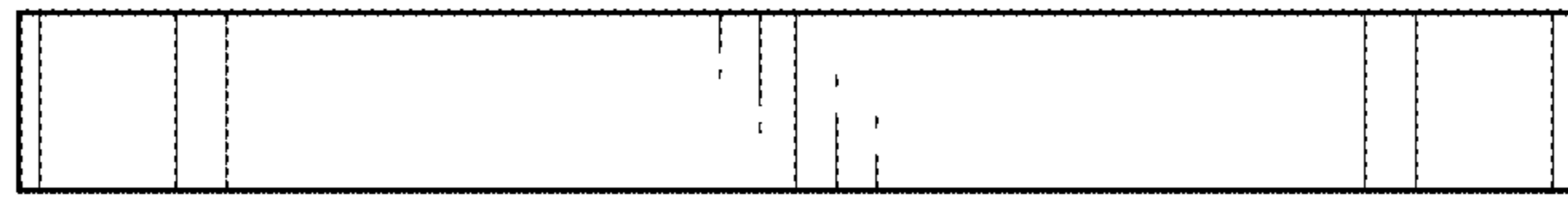


FIG. 6

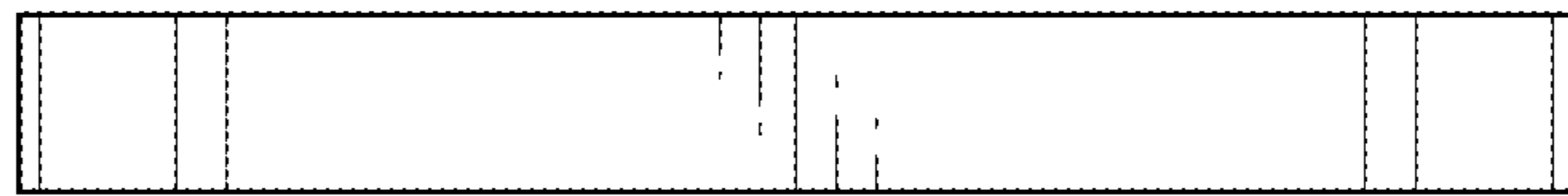


FIG. 7