



US00D896694S

(12) **United States Design Patent**  
**Paik et al.**

(10) **Patent No.:** **US D896,694 S**

(45) **Date of Patent:** **\*\* Sep. 22, 2020**

(54) **BUCKLE FOR BAGS**

B60R 2022/1806; B60R 2022/1812;  
B60R 2022/281; B65D 63/16; A62B  
35/00

(71) Applicant: **WOOJIN PLASTIC CO., LTD.**,  
Gyeonggi-do (KR)

See application file for complete search history.

(72) Inventors: **Jisook Paik**, Seoul (KR); **Nan Hee Paik**, Seoul (KR); **Ji Hye Paik**, Seoul (KR); **Ji Won Son**, Seoul (KR)

(56) **References Cited**

U.S. PATENT DOCUMENTS

(73) Assignee: **WOOJIN PLASTIC CO., LTD.**,  
Guri-si, Gyeonggi-Do (KR)

D364,125 S \* 11/1995 Anscher ..... D11/216  
D471,486 S \* 3/2003 Uehara ..... D11/216  
D510,296 S \* 10/2005 Uehara ..... D11/216  
D524,693 S \* 7/2006 Uehara ..... D11/216

(\*\*) Term: **15 Years**

(Continued)

(21) Appl. No.: **29/647,241**

FOREIGN PATENT DOCUMENTS

(22) Filed: **May 10, 2018**

DE 102008037454 A1 \* 5/2010 ..... A44B 11/266

(30) **Foreign Application Priority Data**

Jan. 18, 2018 (KR) ..... 30-2018-0003044

(51) **LOC (12) Cl.** ..... **02-07**

(52) **U.S. Cl.**  
USPC ..... **D11/216**

(58) **Field of Classification Search**  
USPC ..... D2/624, 626, 627, 633, 639, 640, 853,  
D2/923; D3/24, 213, 215, 216, 230;  
D8/14, 331, 343, 349, 356, 358, 359, 360,  
D8/363, 366, 371, 382, 394, 395;  
D10/32, 38; D11/1, 2, 3, 12, 16, 86, 87,  
D11/93, 200, 201, 206-210, 212-218,  
D11/229-237; D12/195, 416;  
D29/100-101.5, 122, 129, 130; D30/139,  
D30/152, 153

CPC ..... A44B 11/00; A44B 11/02; A44B 11/04;  
A44B 11/05; A44B 11/06; A44B 11/10;  
A44B 11/14; A44B 11/18; A44B 11/22;  
A44B 11/25; A44B 11/26; A44B 11/125;  
A44B 11/223; A44B 11/001; A44B  
11/005; A44B 11/006; A44B 11/2503;  
A44B 11/2507; A44B 11/2526; A44B  
11/2553; A44B 11/2592; A41F 1/008;  
A41F 9/002; A41F 9/007; A41F 11/06;  
B60R 22/30; B60R 22/32; B60R 22/022;

*Primary Examiner* — Kevin K Rudzinski

*Assistant Examiner* — Richard Kearney

(74) *Attorney, Agent, or Firm* — Novick, Kim & Lee,  
PLLC; Jae Youn Kim; Hyun Woo Shin

(57) **CLAIM**

We claim, the ornamental design for a buckle for bags, as shown and described.

**DESCRIPTION**

FIG. 1 is a perspective view of a buckle for bags, showing my new design;

FIG. 2 is a front view thereof;

FIG. 3 is a rear view thereof;

FIG. 4 is a left side view thereof;

FIG. 5 is a right side view thereof;

FIG. 6 is a top plan view thereof;

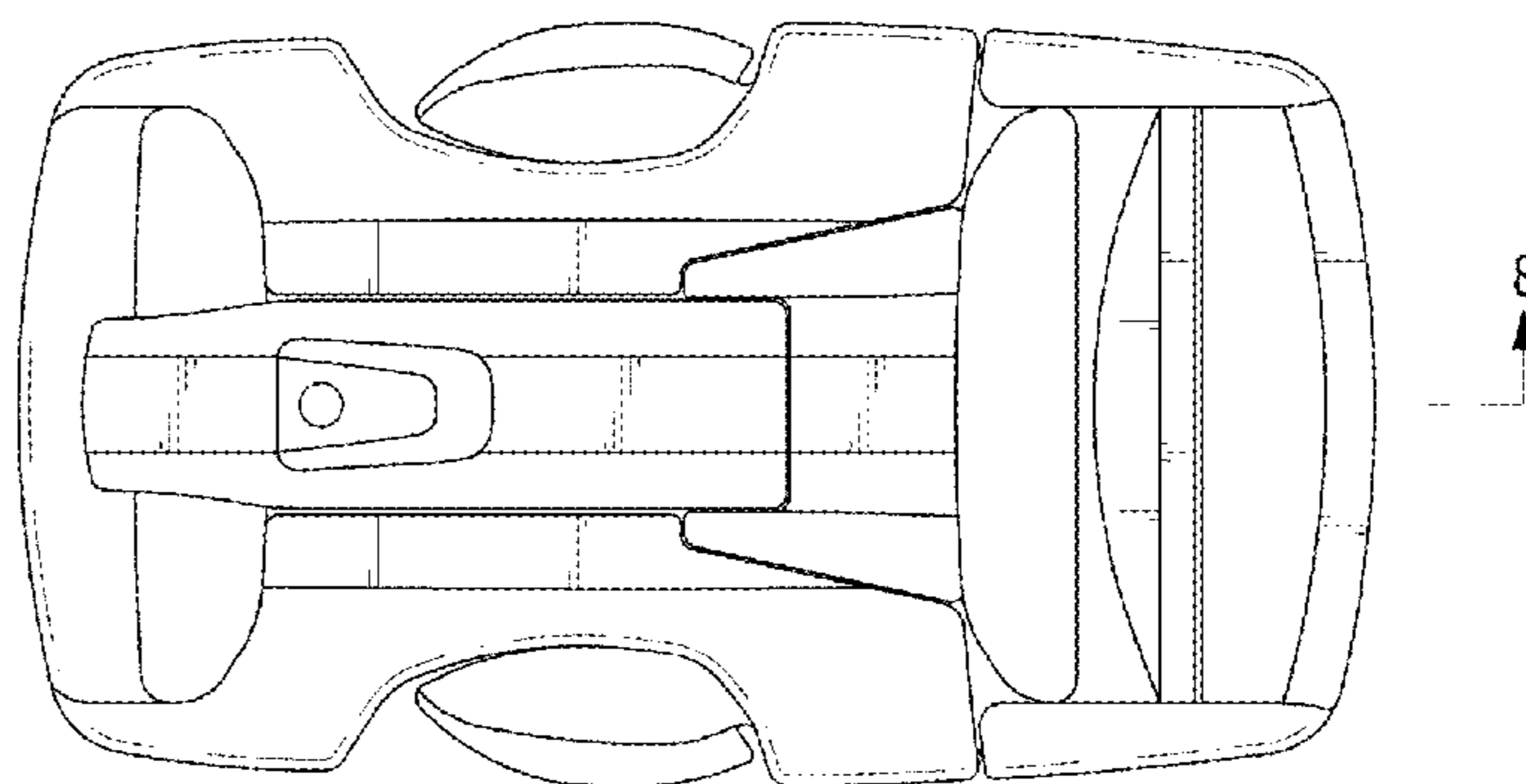
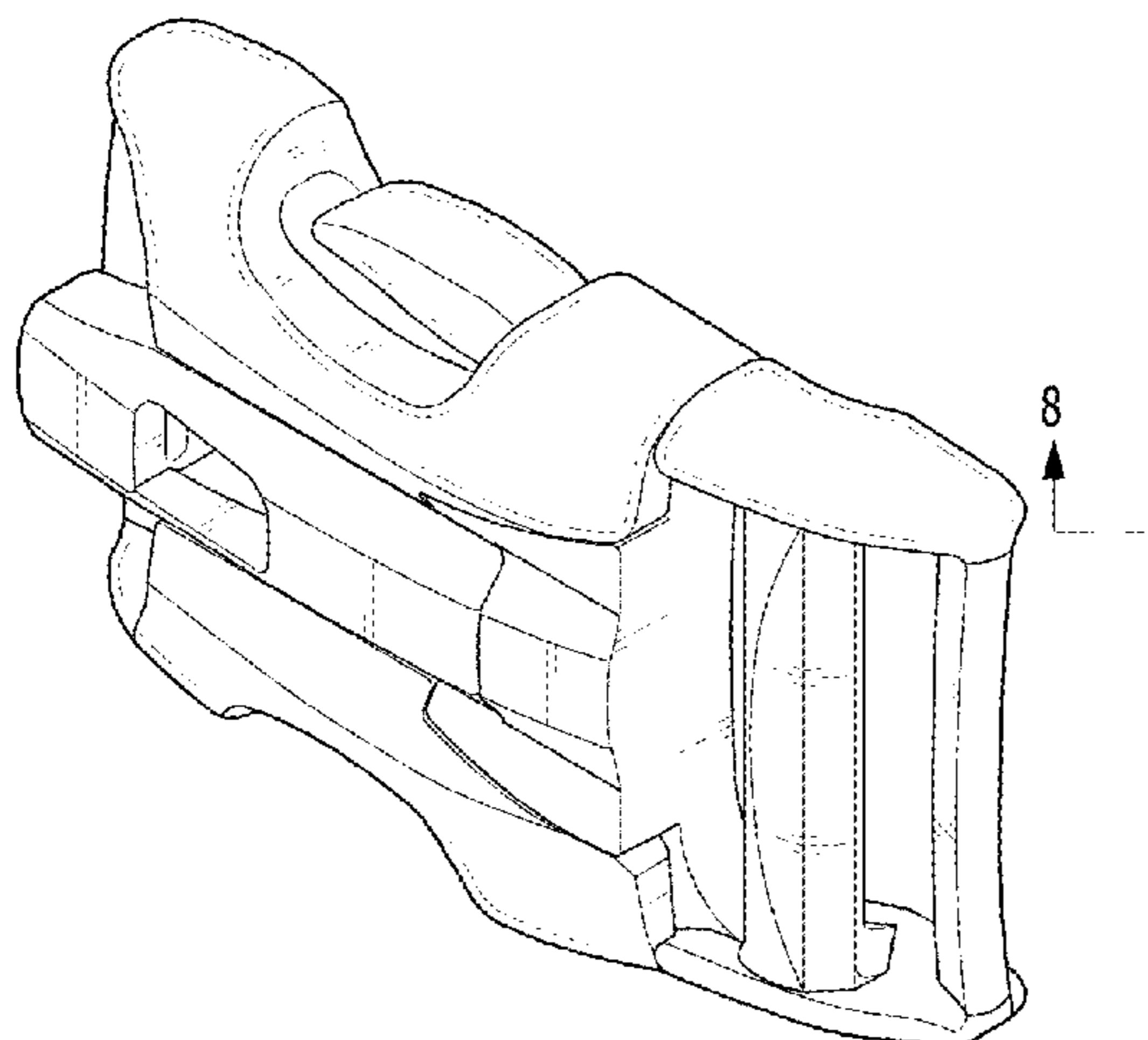
FIG. 7 is a bottom plan view thereof;

FIG. 8 is a cross-sectional view taken along line 8-8 of FIG. 2; and,

FIG. 9 is an exploded view of FIG. 1.

The broken lines in the drawings show portions of the buckle for bags which form no part of the claimed design.

**1 Claim, 7 Drawing Sheets**



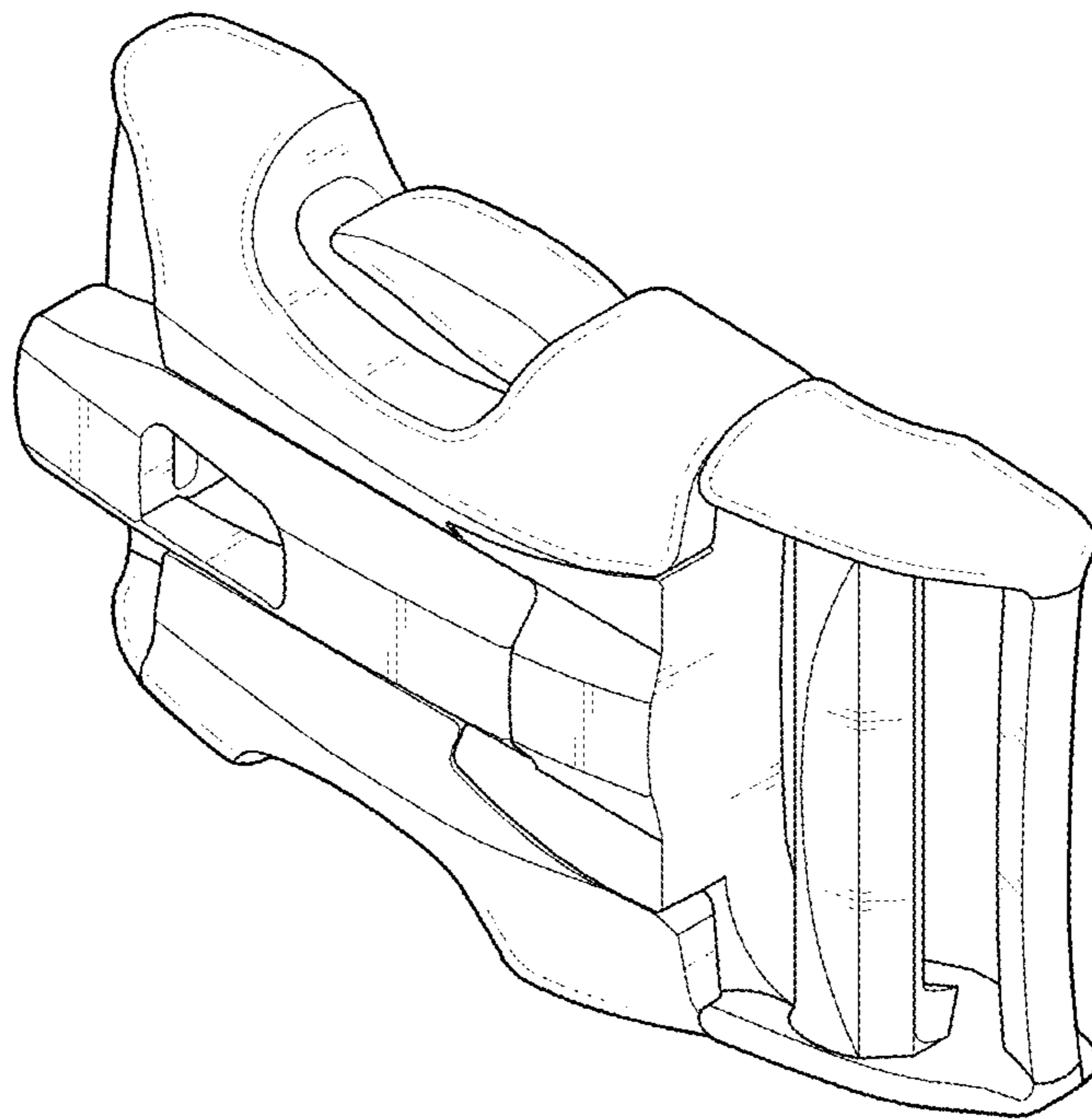
(56)

**References Cited**

U.S. PATENT DOCUMENTS

D560,551 S *	1/2008	Uehara .....	D11/216
D576,519 S *	9/2008	Uehara .....	D11/216
D625,226 S *	10/2010	Pontaoe .....	D11/216
D671,444 S *	11/2012	Paik .....	D11/216
D671,445 S *	11/2012	Paik .....	D11/216
D685,292 S *	7/2013	Kataguchi .....	D11/216
D778,207 S *	2/2017	Paik .....	D11/216
10,219,587 B1 *	3/2019	Chan .....	F16G 11/046
D880,351 S *	4/2020	Paik .....	D11/216

\* cited by examiner



**FIG.1**

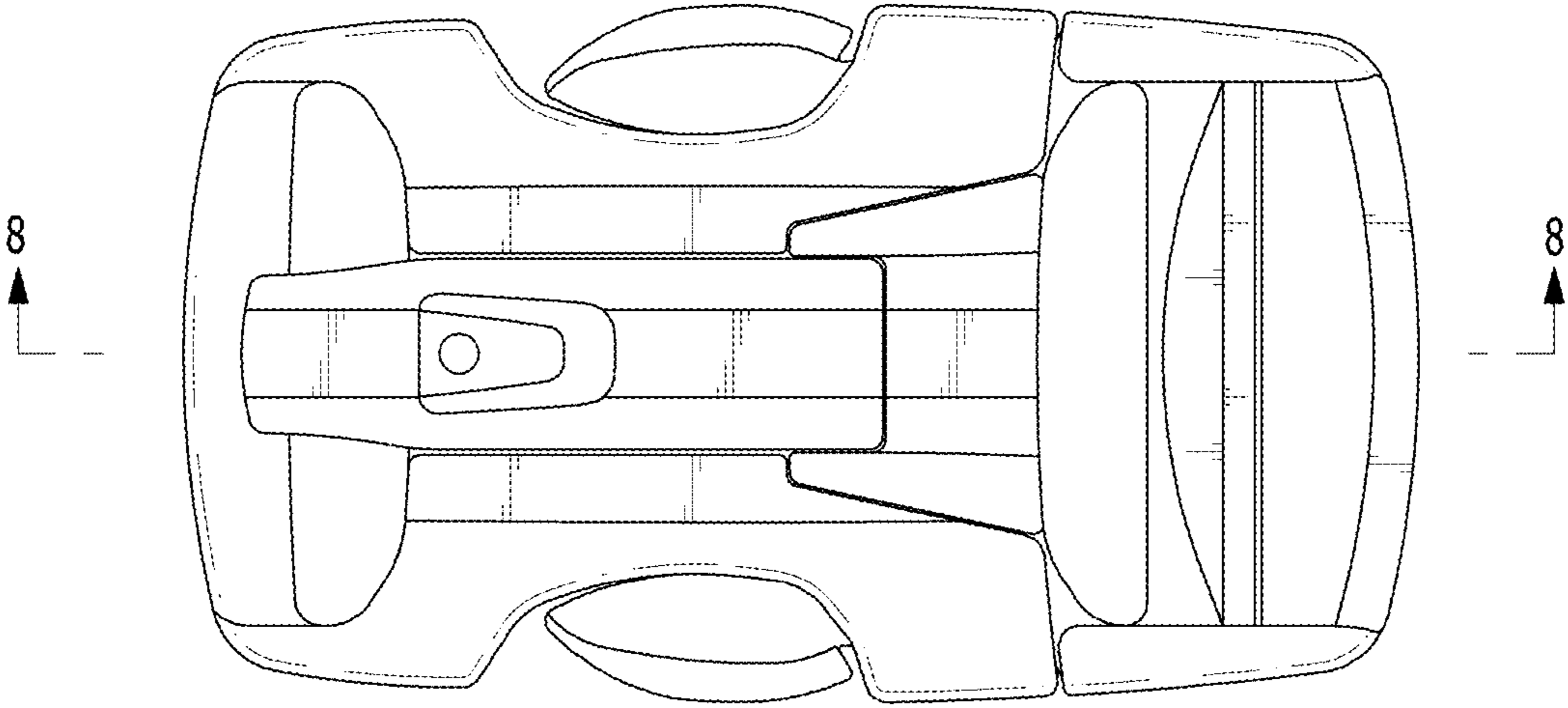
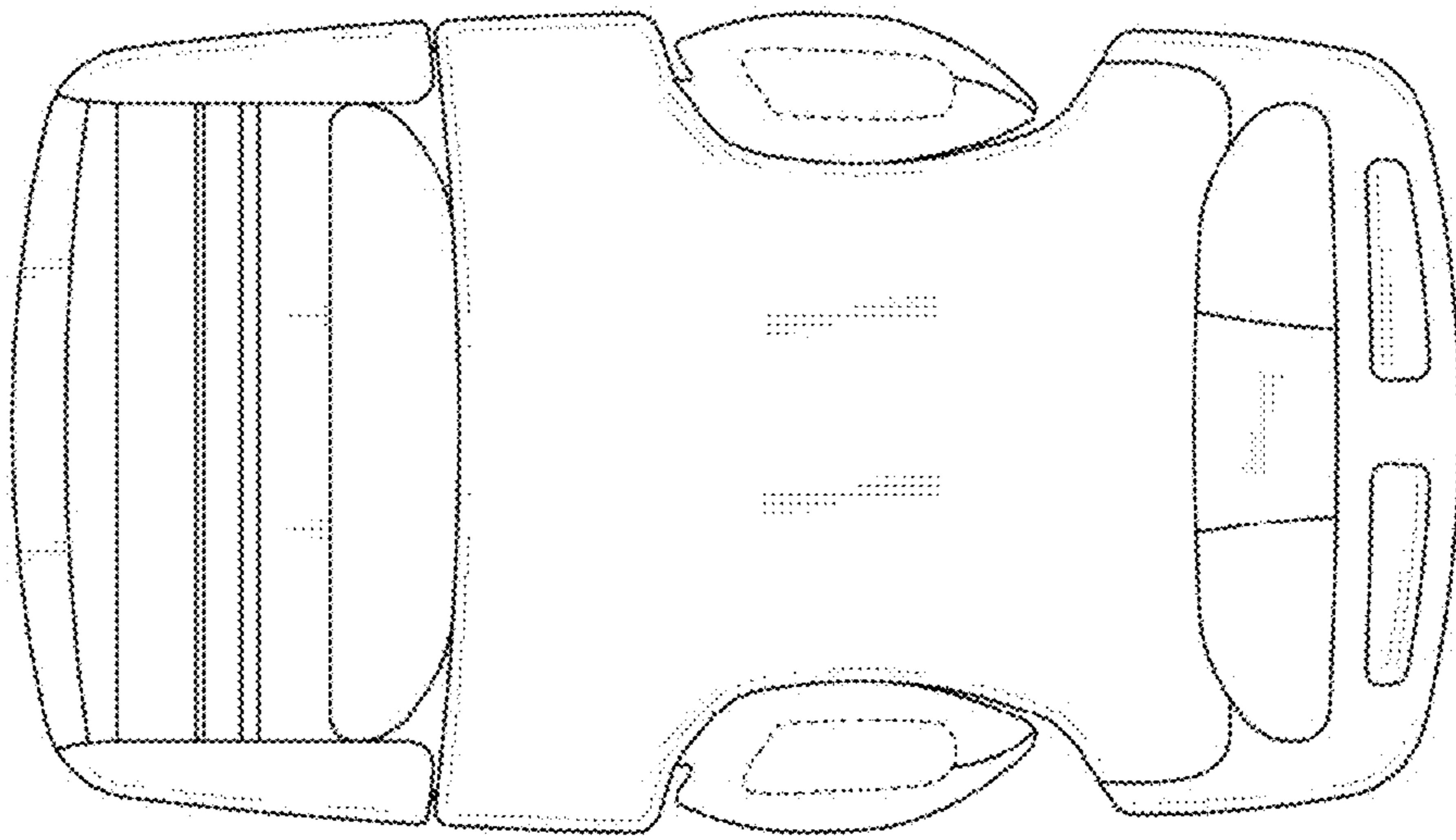
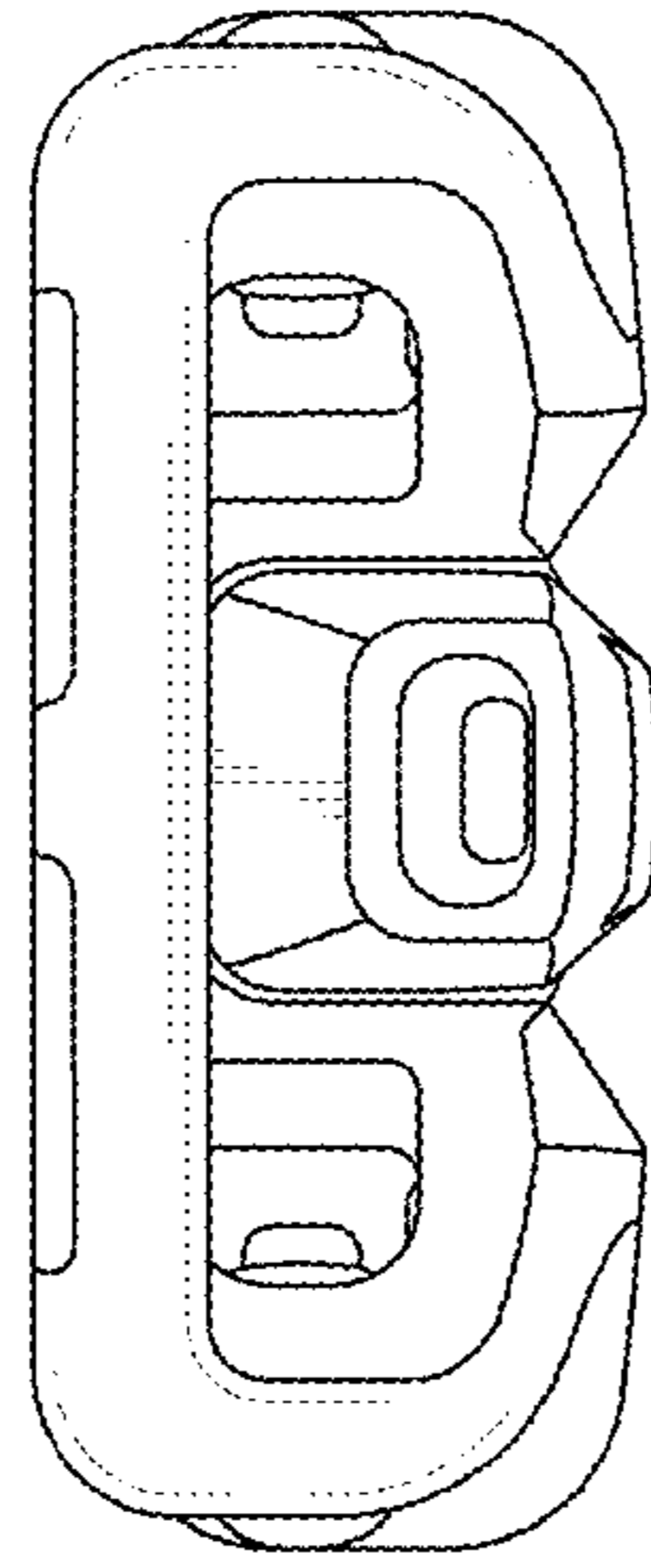


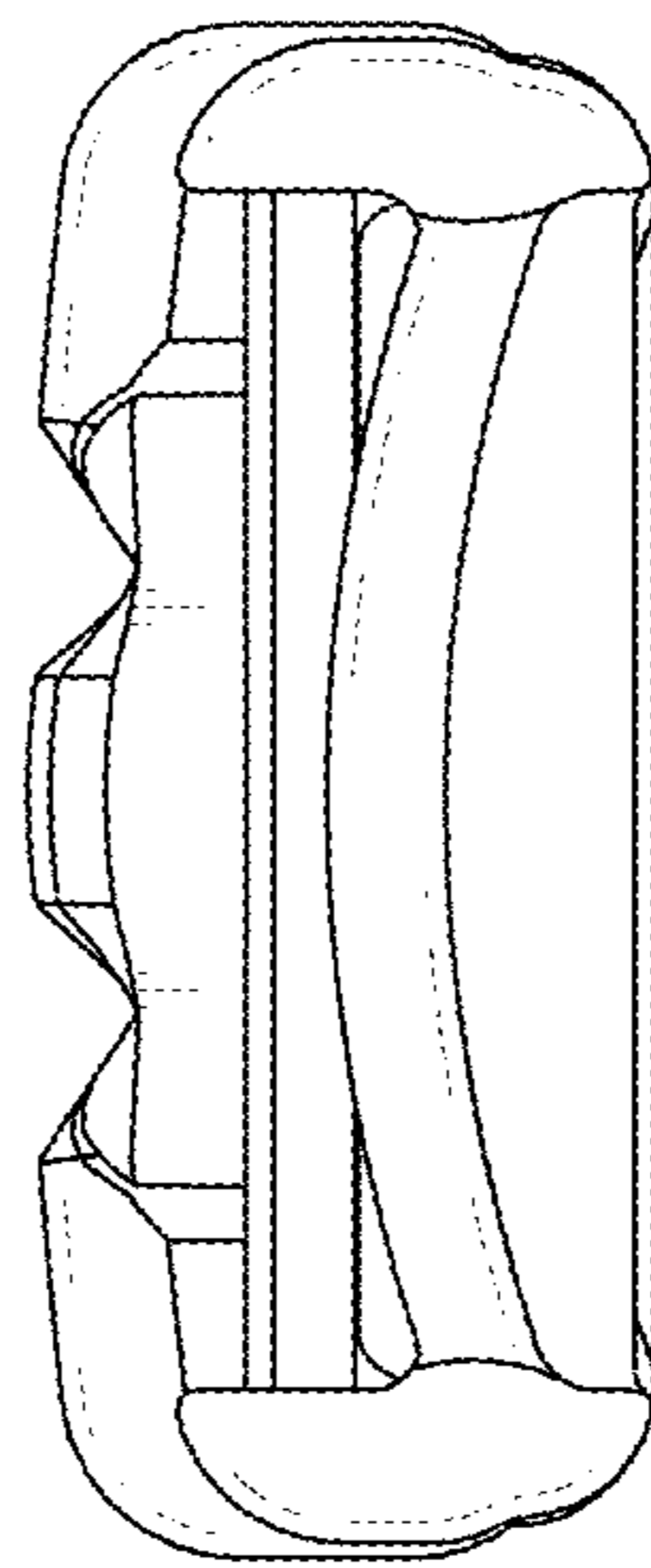
FIG. 2



**FIG. 3**



**FIG. 4**



**FIG. 5**

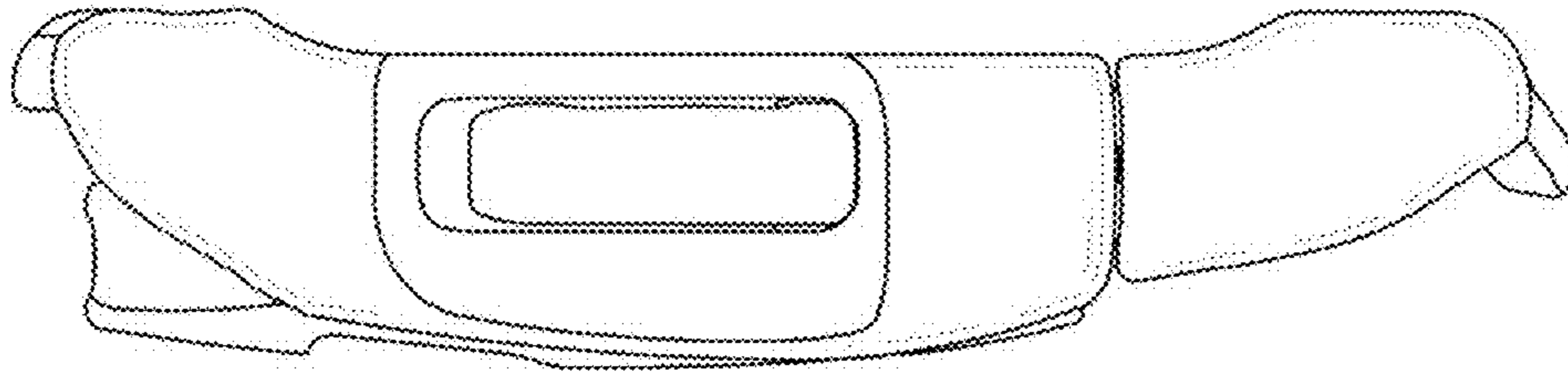


FIG. 6

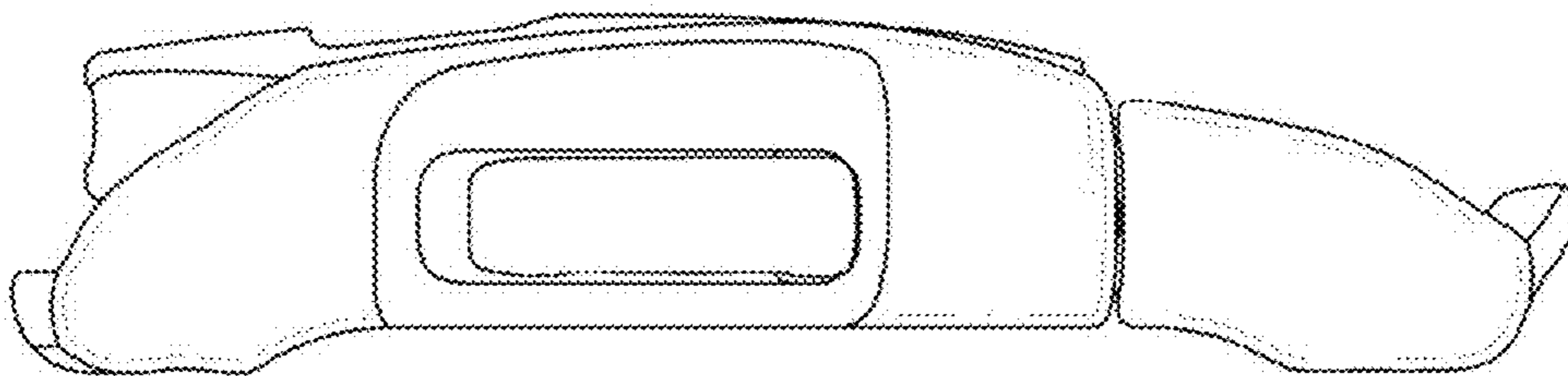


FIG. 7

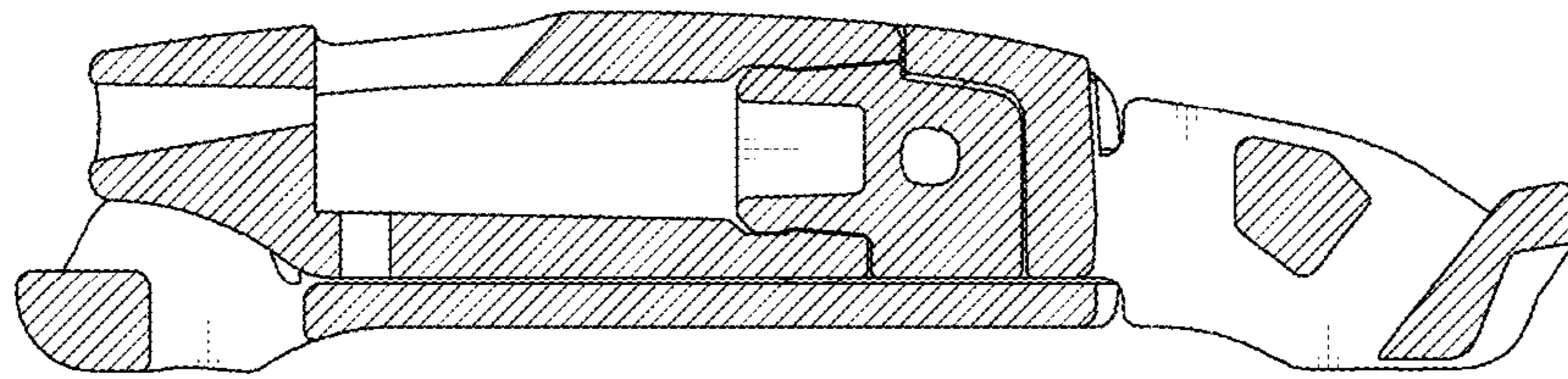


FIG.8



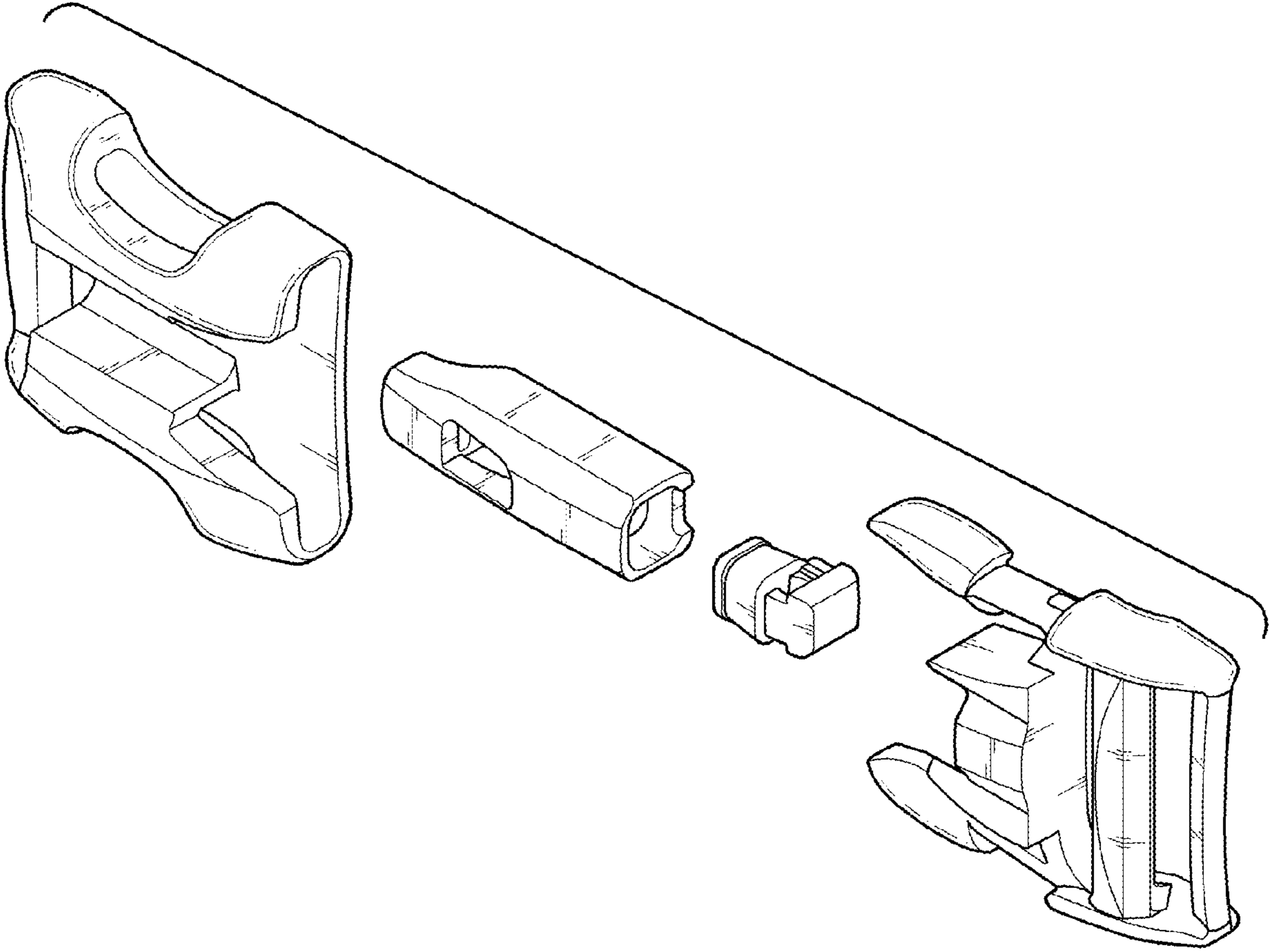


FIG. 9