



US00D896693S

(12) **United States Design Patent**  
**Jennings, Jr.**

(10) **Patent No.:** **US D896,693 S**  
(45) **Date of Patent:** **\*\* Sep. 22, 2020**

(54) **FLAG DISPLAY DEVICE**  
(71) Applicant: **Douglas H. Jennings, Jr.**, Sarasota, FL (US)  
(72) Inventor: **Douglas H. Jennings, Jr.**, Sarasota, FL (US)  
(\*\*) Term: **15 Years**

6,845,730 B2 \* 1/2005 Cardarelli ..... G09F 17/00 116/173  
6,935,268 B1 \* 8/2005 Hawkins ..... H01Q 1/1228 116/173  
7,156,044 B1 1/2007 Davis  
7,372,416 B1 5/2008 Marchessault et al.  
7,997,311 B2 8/2011 Prout, Jr.  
8,307,865 B1 11/2012 Cuffel  
9,370,142 B2 6/2016 Barnhill  
(Continued)

(21) Appl. No.: **29/696,530**  
(22) Filed: **Jun. 28, 2019**  
(51) **LOC (12) Cl.** ..... **11-05**  
(52) **U.S. Cl.**  
USPC ..... **D11/181**  
(58) **Field of Classification Search**  
USPC ..... D11/166, 182, 183, 184; D08/349, 354, D08/376  
CPC ..... G09F 17/00; G09F 17/0091; G09F 2017/0008; G09F 2017/0025; G09F 2017/0041; G09F 2017/005; G09F 2017/0066; G09F 2017/0075; G09F 2017/0083  
See application file for complete search history.

**OTHER PUBLICATIONS**

Flag Flyer Tube for VHF Antenna, announced 2018 [online], [site visited Mar. 23, 2020]. Available from internet, URL: <<https://www.wholesalemarine.com/flag-flyer-tube-for-vhf-antenna.html>> (Year: 2020).\*

*Primary Examiner* — Cynthia Ramirez  
*Assistant Examiner* — Xavier Marti-Santos  
(74) *Attorney, Agent, or Firm* — Edward M. Livingston; Bryan L. Loeffler; Livingston Loeffler, P.A.

(57) **CLAIM**

The ornamental design for a flag display device, as shown and described.

**DESCRIPTION**

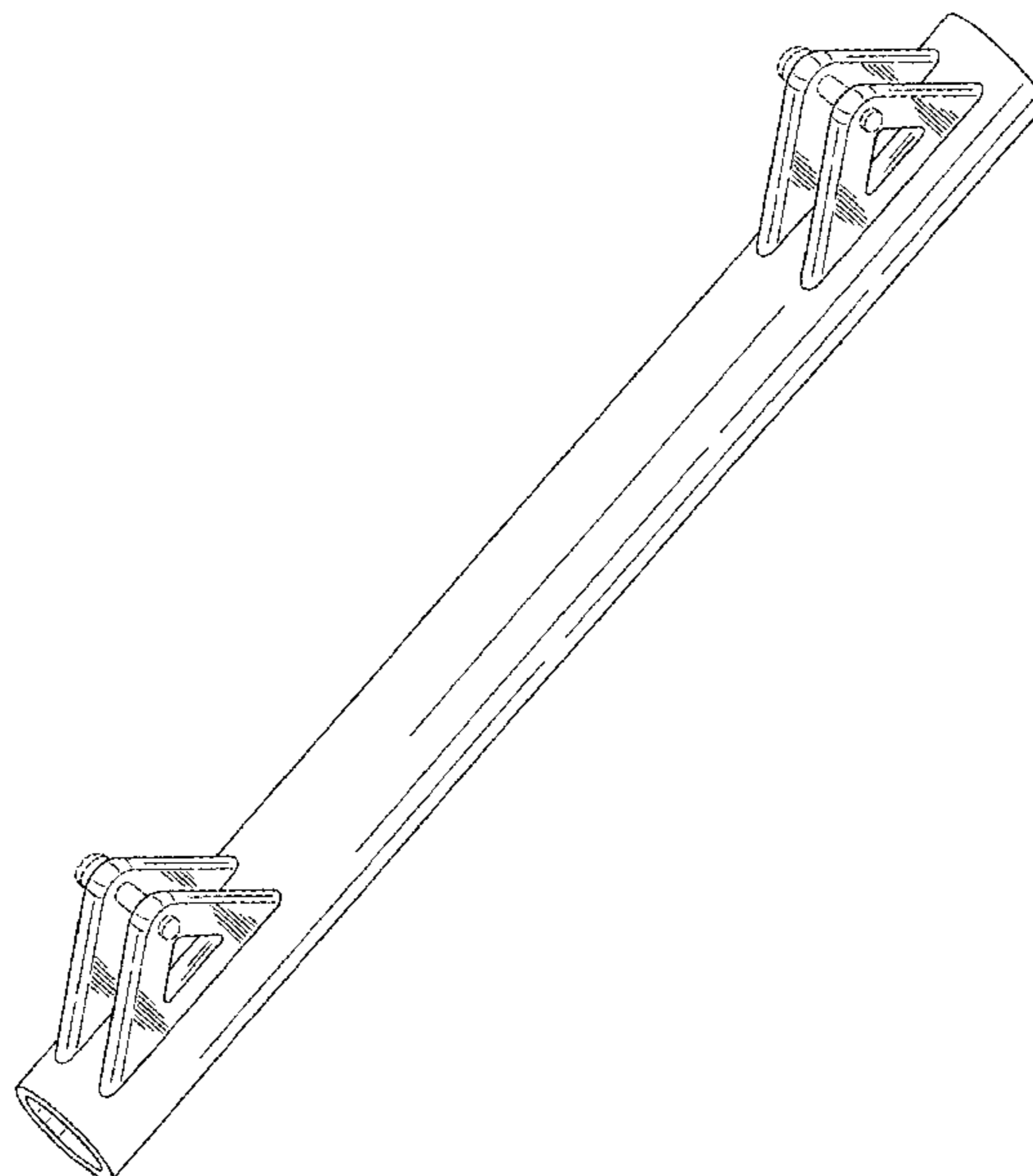
FIG. 1 is a rear perspective view of a flag display device showing my new design;  
FIG. 2 is a rear view of the flag display device thereof;  
FIG. 3 is a front view of the flag display device thereof;  
FIG. 4 is right side view of the flag display device thereof;  
FIG. 5 is a left side view of the flag display device thereof;  
FIG. 6 is a top view of the flag display device thereof; and,  
FIG. 7 is a bottom view of the flag display device thereof.  
The broken lines in the figures are for the purpose of illustrating portions of the flag display device, which form no part of the claimed design.

(56) **References Cited**

**U.S. PATENT DOCUMENTS**

2,711,712 A \* 6/1955 Reed, Jr. .... E04H 12/32 116/174  
2,856,891 A 10/1958 Solomon  
3,172,220 A 3/1965 Christensen  
3,520,383 A 7/1970 Looch  
5,279,250 A 1/1994 Palermo, Jr. et al.  
5,390,104 A 2/1995 Fulton  
5,735,230 A \* 4/1998 Romesburg ..... B60Q 1/50 116/173  
5,740,622 A 4/1998 Martin  
6,474,377 B1 11/2002 Van De Mortel  
6,748,683 B1 6/2004 Schultz

**1 Claim, 3 Drawing Sheets**



(56)

**References Cited**

U.S. PATENT DOCUMENTS

D812,450 S \* 3/2018 Cornelius ..... D8/349  
2002/0178997 A1 \* 12/2002 Tsui-Hua ..... G09F 17/00  
116/174  
2003/0192467 A1 \* 10/2003 Paris ..... G09F 17/00  
116/173  
2004/0200107 A1 \* 10/2004 Lehman ..... G09F 17/00  
40/666  
2005/0091957 A1 5/2005 Stanners et al.  
2007/0181217 A1 8/2007 Ahdoot  
2013/0284869 A1 10/2013 Helenius

\* cited by examiner

FIG. 6

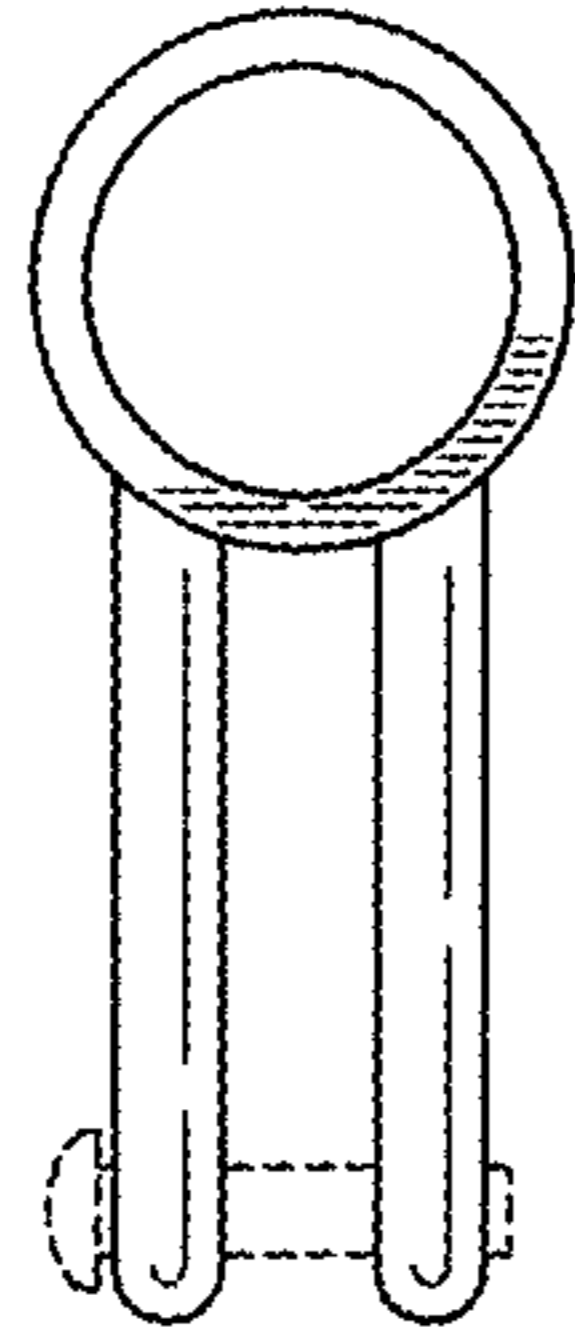


FIG. 1

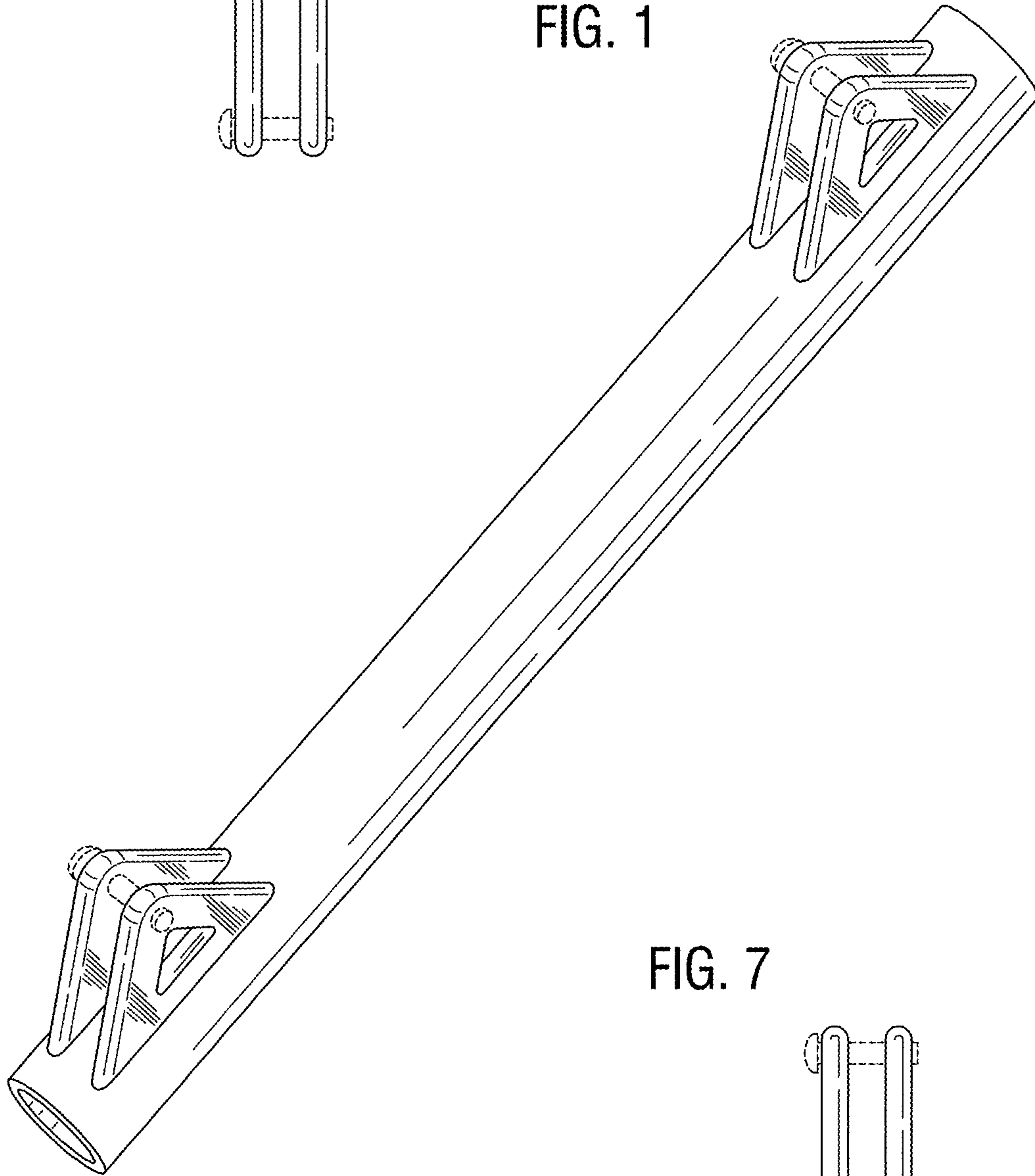


FIG. 7

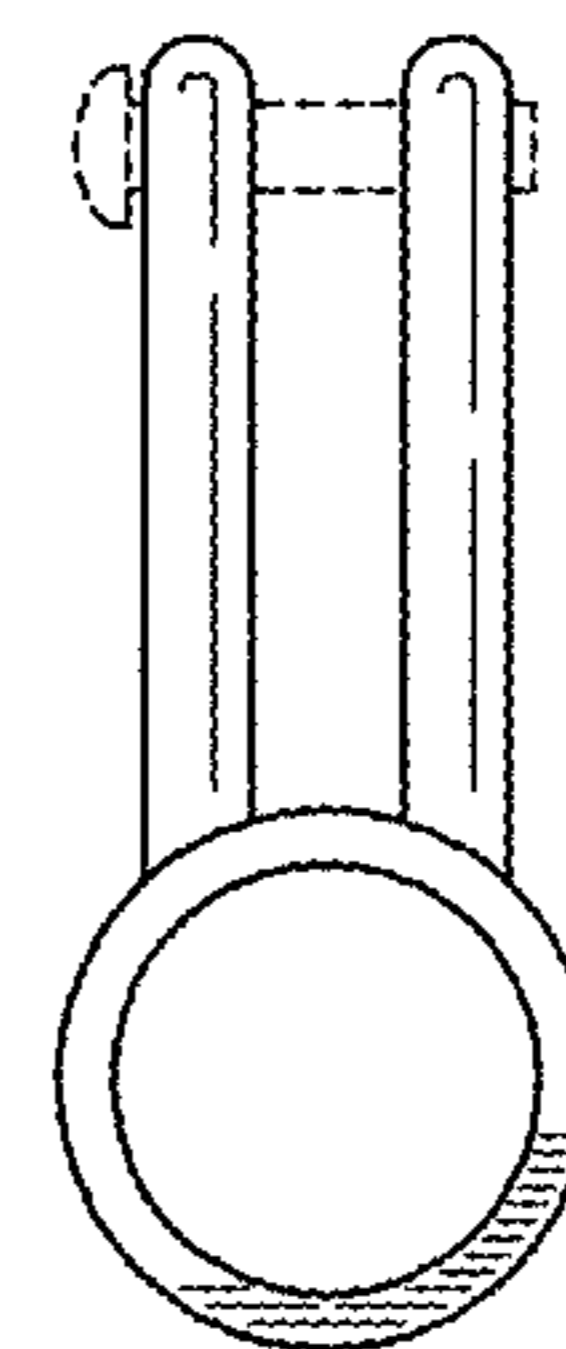


FIG. 2

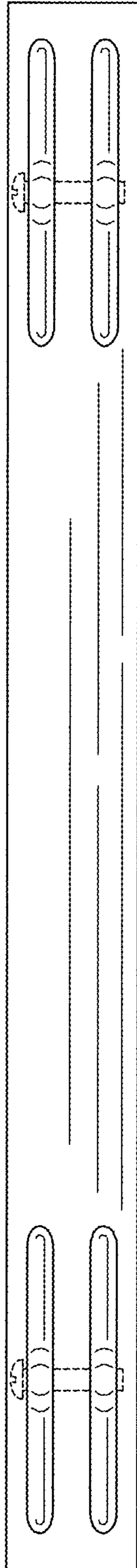


FIG. 3

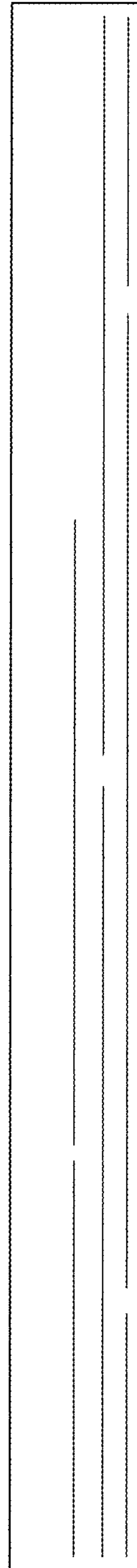


FIG. 4

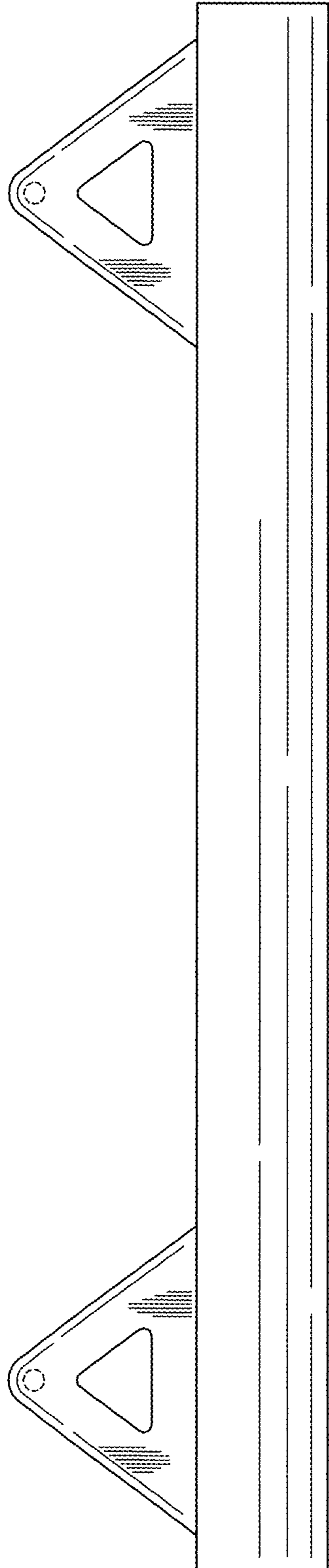


FIG. 5

