



(12) **United States Design Patent**  
**Alva**

(10) **Patent No.:** **US D896,691 S**  
(45) **Date of Patent:** **\*\* Sep. 22, 2020**

- (54) **FLOWER BOX**
- (71) Applicant: **Peggy Alva**, San Antonio, TX (US)
- (72) Inventor: **Peggy Alva**, San Antonio, TX (US)
- (\*\*) Term: **15 Years**
- (21) Appl. No.: **29/698,245**
- (22) Filed: **Jul. 15, 2019**
- (51) **LOC (12) Cl.** ..... **11-02**
- (52) **U.S. Cl.**  
USPC ..... **D11/155**
- (58) **Field of Classification Search**  
USPC ..... D11/143–156, 164; D3/304, 313, 314;  
D6/403, 404, 405, 556, 557, 558;  
D7/357, 553.2, 553.3, 554.3, 554.4;  
D9/433, 454, 455  
CPC . A01G 5/04; A01G 9/02; A01G 9/021; A01G  
9/022; A01G 9/027; A01G 9/028; A01G  
9/029; A01G 9/0293; A01G 9/0295;  
A01G 9/0297; A01G 9/0299; A01G 9/04;  
A01G 9/042; A01G 9/045; A47G 7/00;  
A47G 7/02; A47G 7/04; A47G 7/06;  
A47G 7/08  
See application file for complete search history.

- 6,061,955 A \* 5/2000 Domstein ..... A47G 7/063  
206/423
- D437,222 S \* 2/2001 Goldberg ..... D9/432
- 6,971,524 B1 \* 12/2005 Voswinkel ..... B65D 5/10  
206/232
- 7,172,109 B2 \* 2/2007 Kuentler ..... B65D 5/48008  
229/120.13
- D552,987 S \* 10/2007 Magnusson ..... D9/432
- D580,754 S \* 11/2008 An ..... D9/433
- D581,785 S \* 12/2008 Magnusson ..... D9/433
- D582,269 S \* 12/2008 Magnusson ..... D9/433
- D587,112 S \* 2/2009 Magnusson ..... D9/433
- D591,592 S \* 5/2009 An ..... D9/433
- 7,661,578 B2 \* 2/2010 Li ..... B65D 5/103  
229/120.13

(Continued)

*Primary Examiner* — Elizabeth A. Albert  
(74) *Attorney, Agent, or Firm* — Quickpatents, LLC;  
Kevin Prince

(57) **CLAIM**

The ornamental design for a flower box, as shown and described.

**DESCRIPTION**

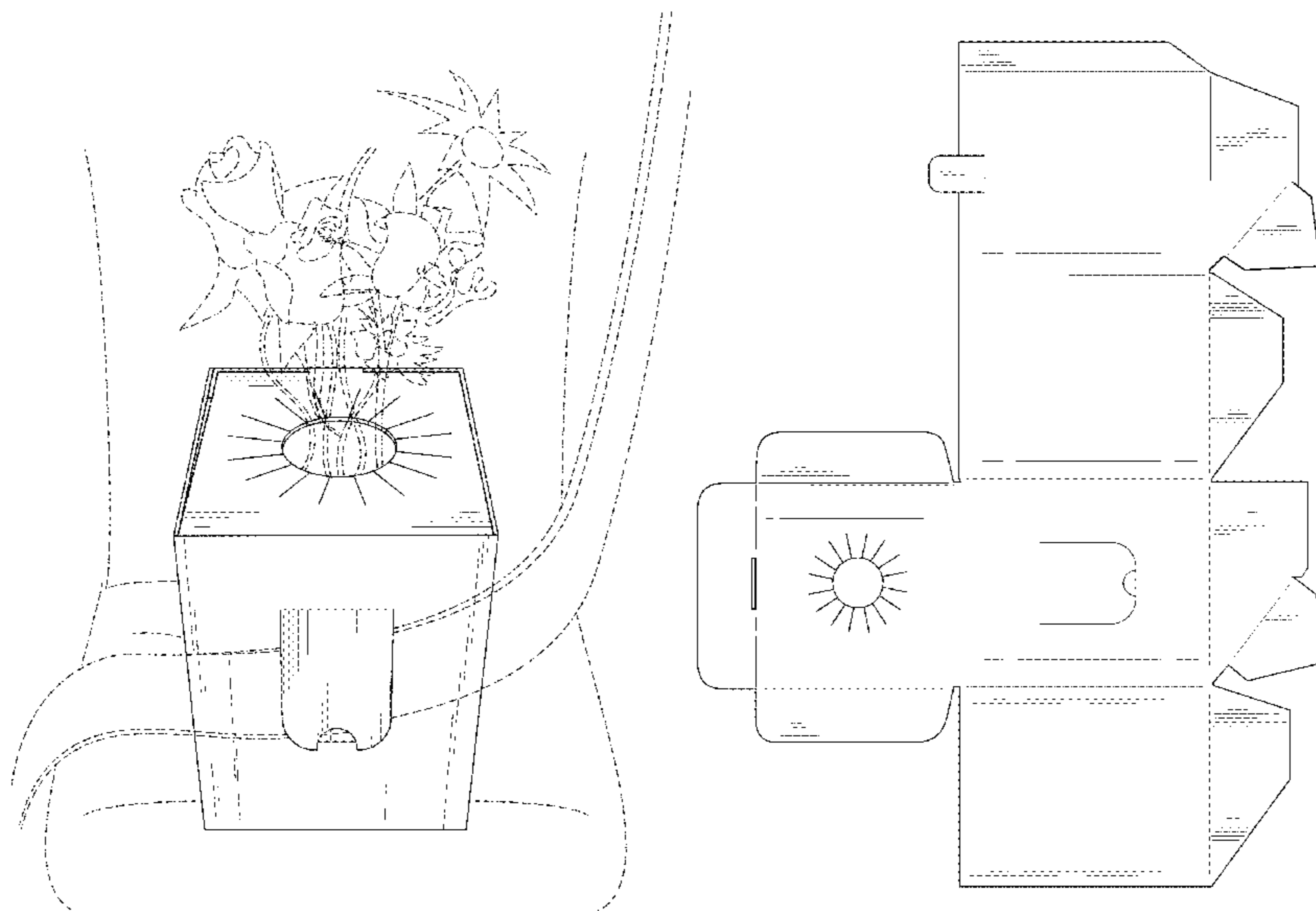
FIG. 1 is a perspective view of a flower box, showing my new design in a closed position;  
FIG. 2 is a rear elevational view of FIG. 1;  
FIG. 3 is a front elevational view of FIG. 1;  
FIG. 4 is a left-side elevational view of FIG. 1, the right-side elevational view being a mirror image thereof;  
FIG. 5 is a top plan view of FIG. 1;  
FIG. 6 is a bottom plan view of FIG. 1;  
FIG. 7 is a perspective view thereof, illustrated in a partially open position; and,  
FIG. 8 is a top plan view thereof, illustrated in a flat, unfolded position.  
The broken lines showing a seatbelt, car seat, and flowers in FIG. 1 depict environmental matter and form no part of the claimed design.

(56) **References Cited**

U.S. PATENT DOCUMENTS

- 2,797,041 A \* 6/1957 Rondone ..... B65D 5/10  
47/84
- D241,407 S \* 9/1976 Johnson ..... D34/1
- 4,489,878 A \* 12/1984 Mode ..... B65D 5/3621  
206/183
- 5,117,973 A \* 6/1992 Lo Duca ..... B65D 5/18  
206/45.29
- D336,428 S \* 6/1993 Buratto ..... D9/432
- D338,758 S \* 8/1993 Sexton ..... D34/1
- 5,275,331 A \* 1/1994 Chung-Piao ..... B65D 5/46088  
229/117

**1 Claim, 4 Drawing Sheets**



(56)

**References Cited**

U.S. PATENT DOCUMENTS

D625,649 S \* 10/2010 Rooney ..... D11/146  
D635,052 S \* 3/2011 Rooney ..... D11/146  
7,913,837 B2 \* 3/2011 Cuomo ..... B65D 71/0014  
206/162  
9,661,944 B2 \* 5/2017 Wu ..... A47G 7/08  
D815,560 S \* 4/2018 Lo ..... D11/143  
D819,831 S \* 6/2018 Franzke ..... D25/16  
10,046,882 B2 \* 8/2018 Budny ..... B65D 5/4266  
2005/0061861 A1 \* 3/2005 Pennino ..... B65D 5/5014  
229/120.13  
2005/0155902 A1 \* 7/2005 Rooney ..... B65D 85/505  
206/575  
2013/0036669 A1 \* 2/2013 Rabii ..... A01G 31/02  
47/62 R

\* cited by examiner

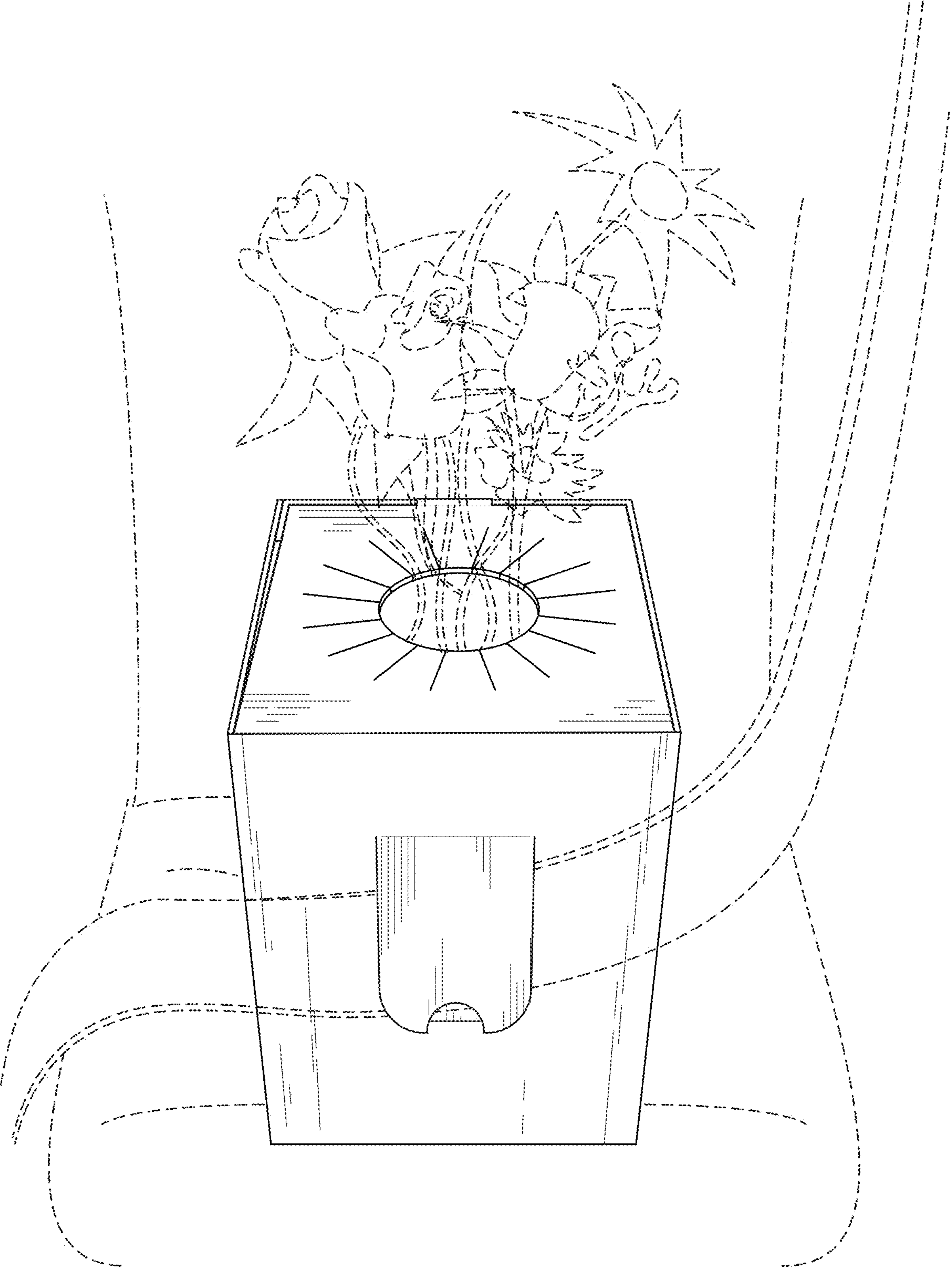


FIG. 1

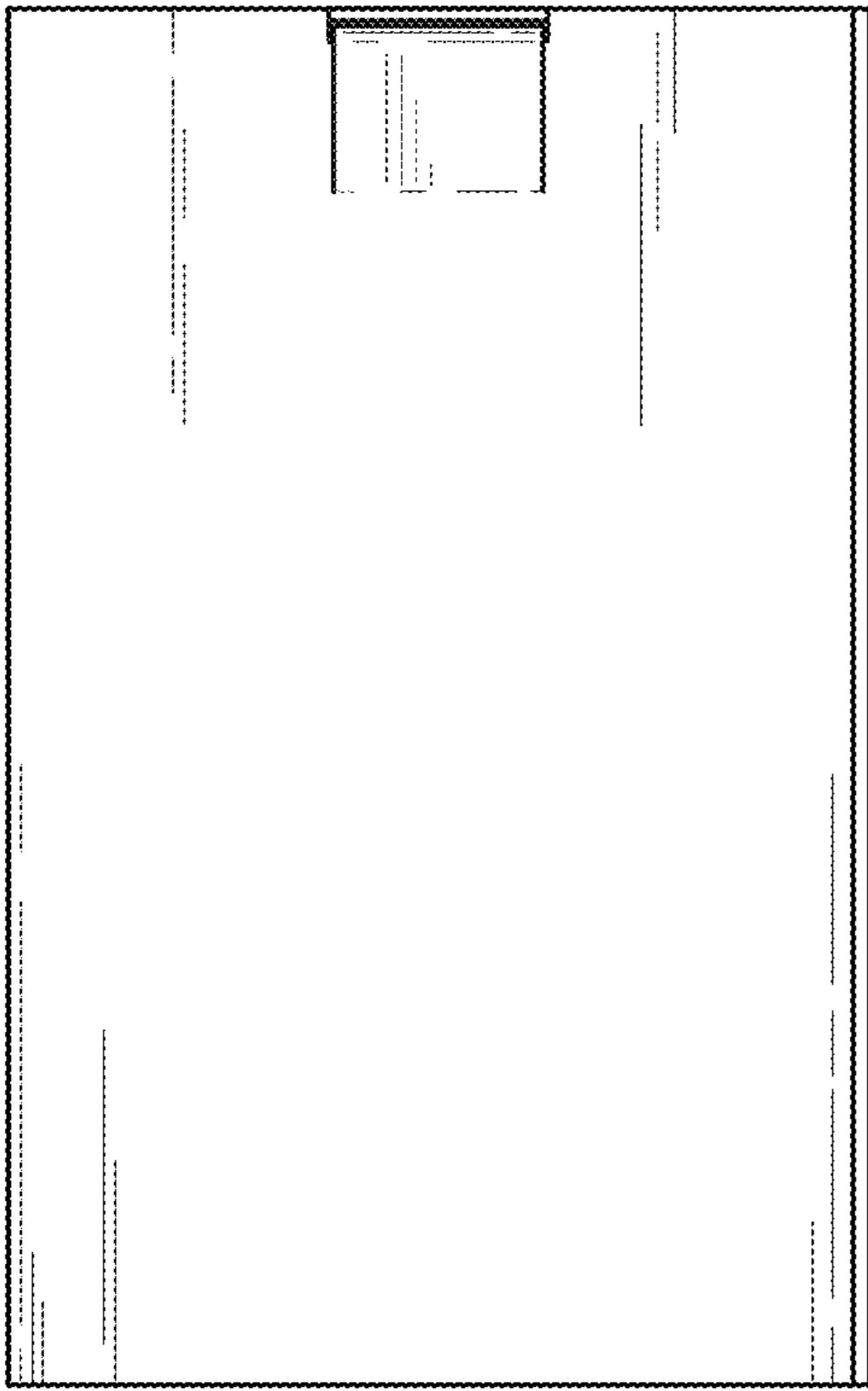


FIG. 2

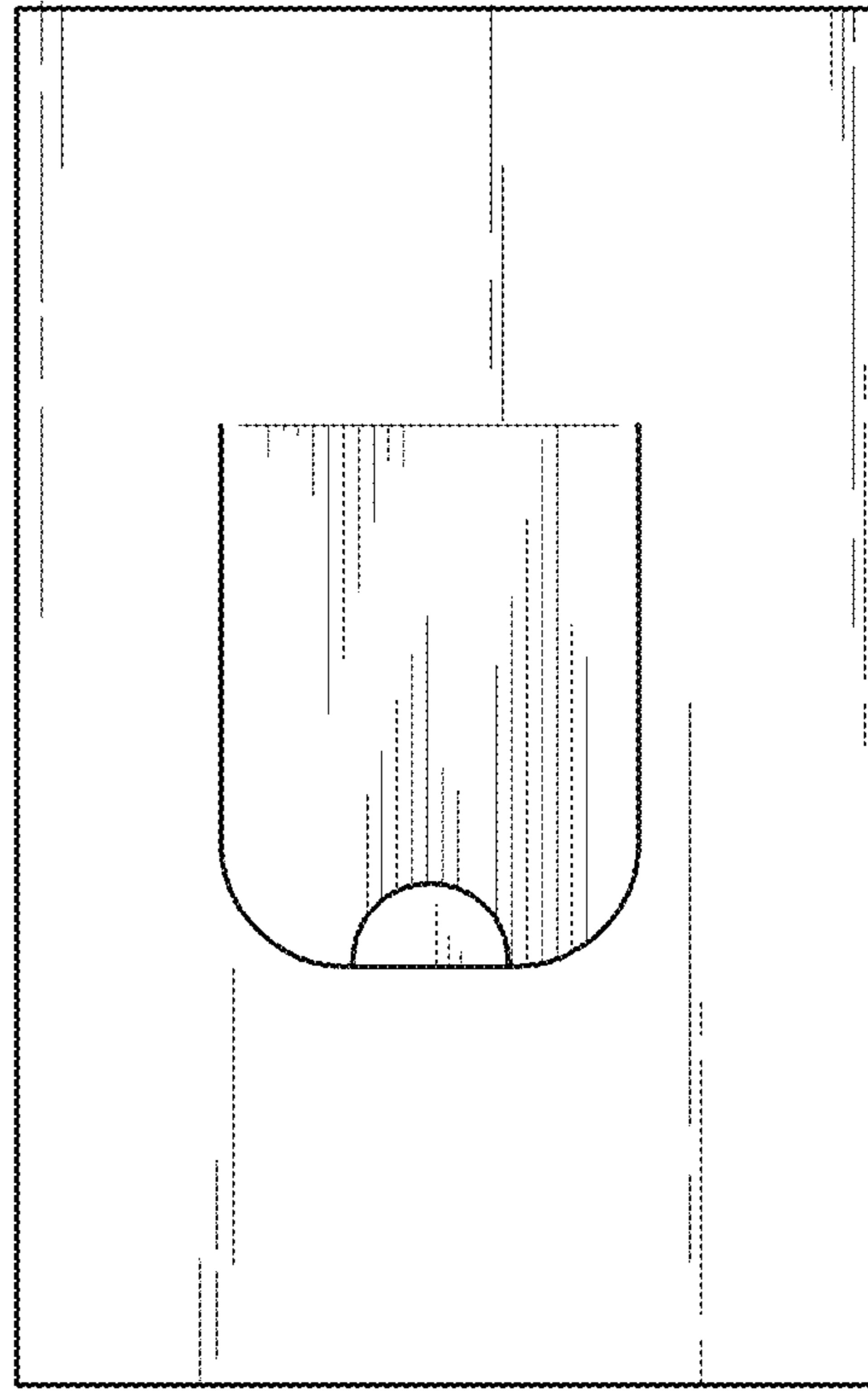


FIG. 3

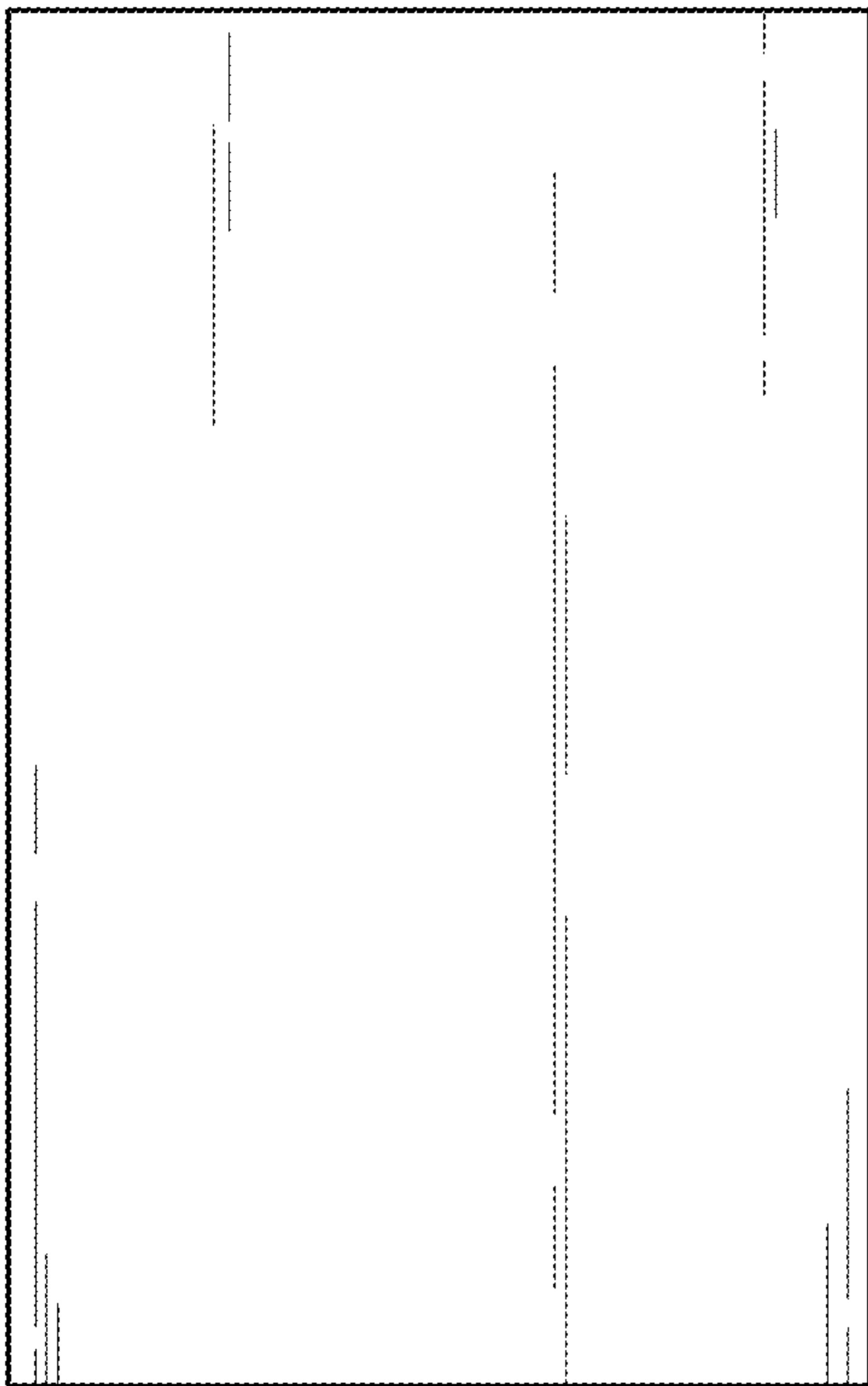


FIG. 4

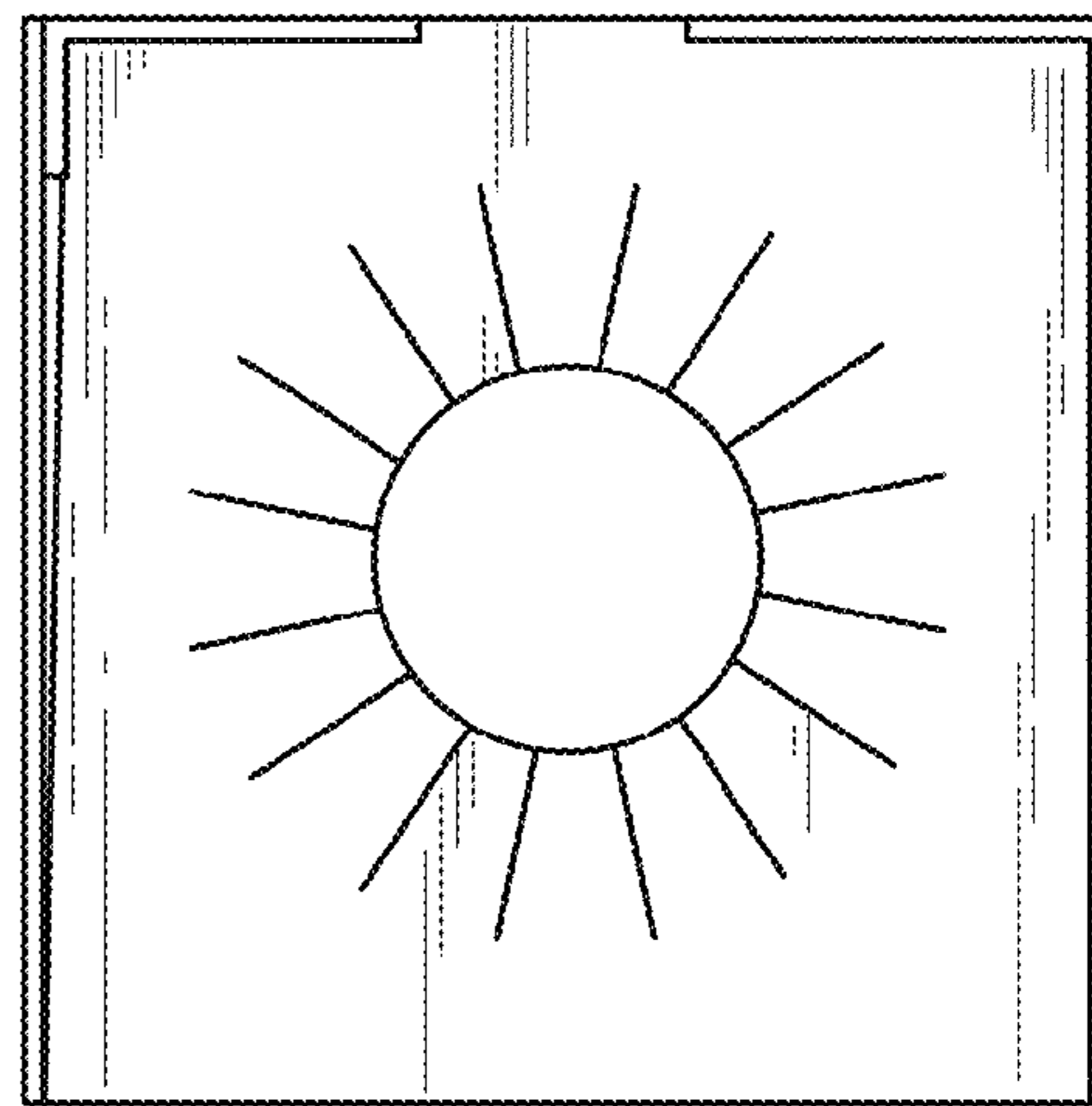


FIG. 5

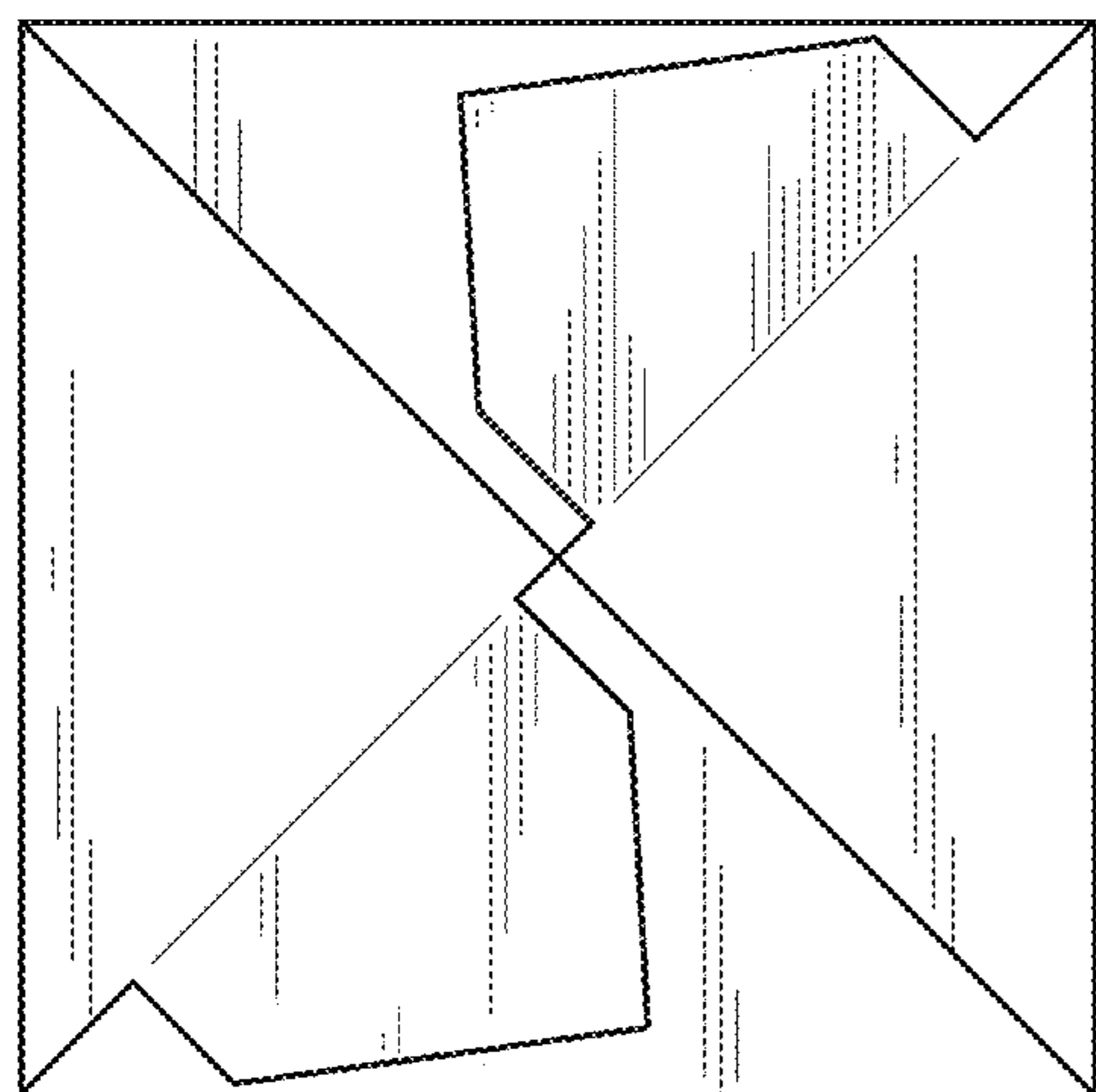


FIG. 6

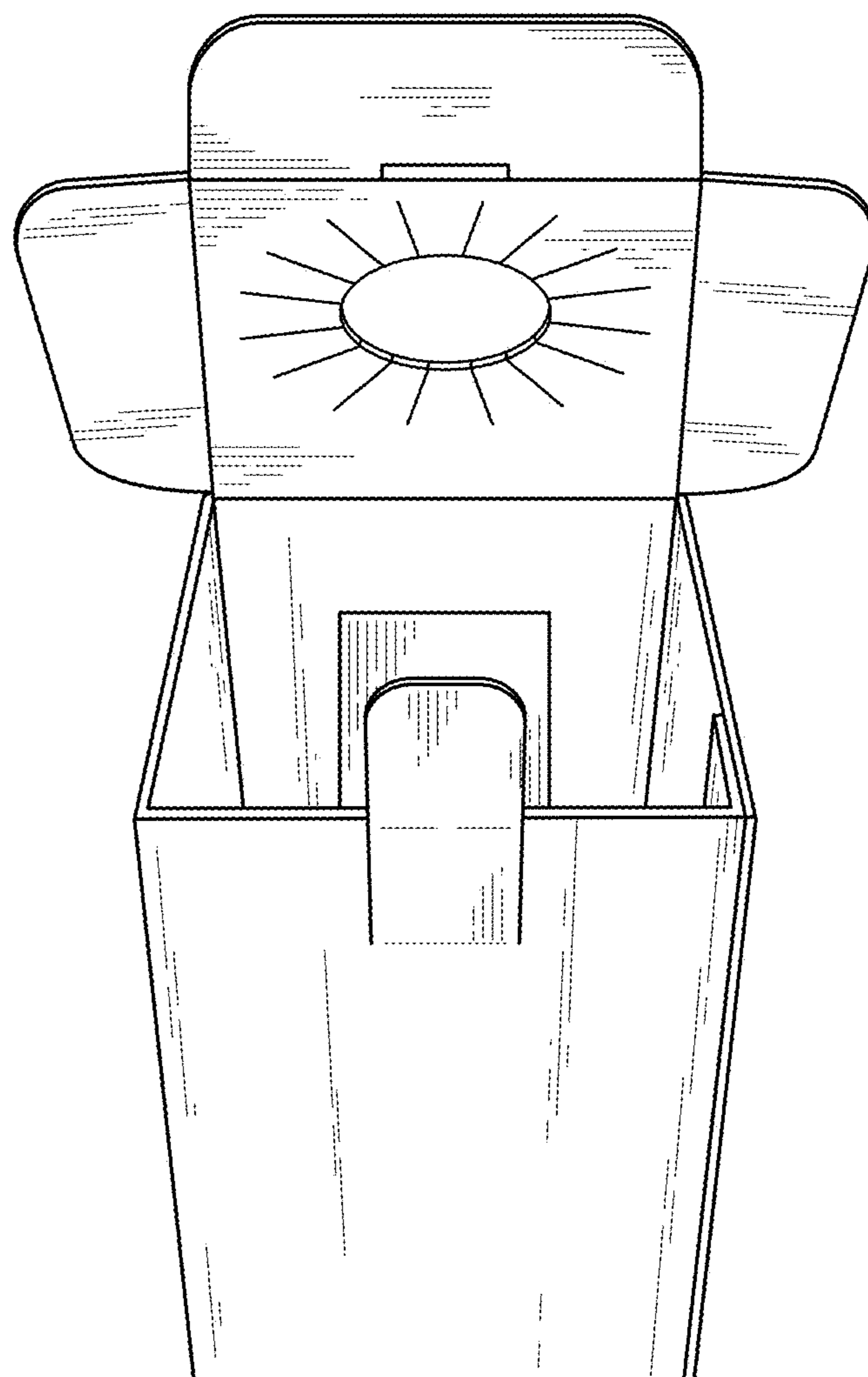


FIG. 7

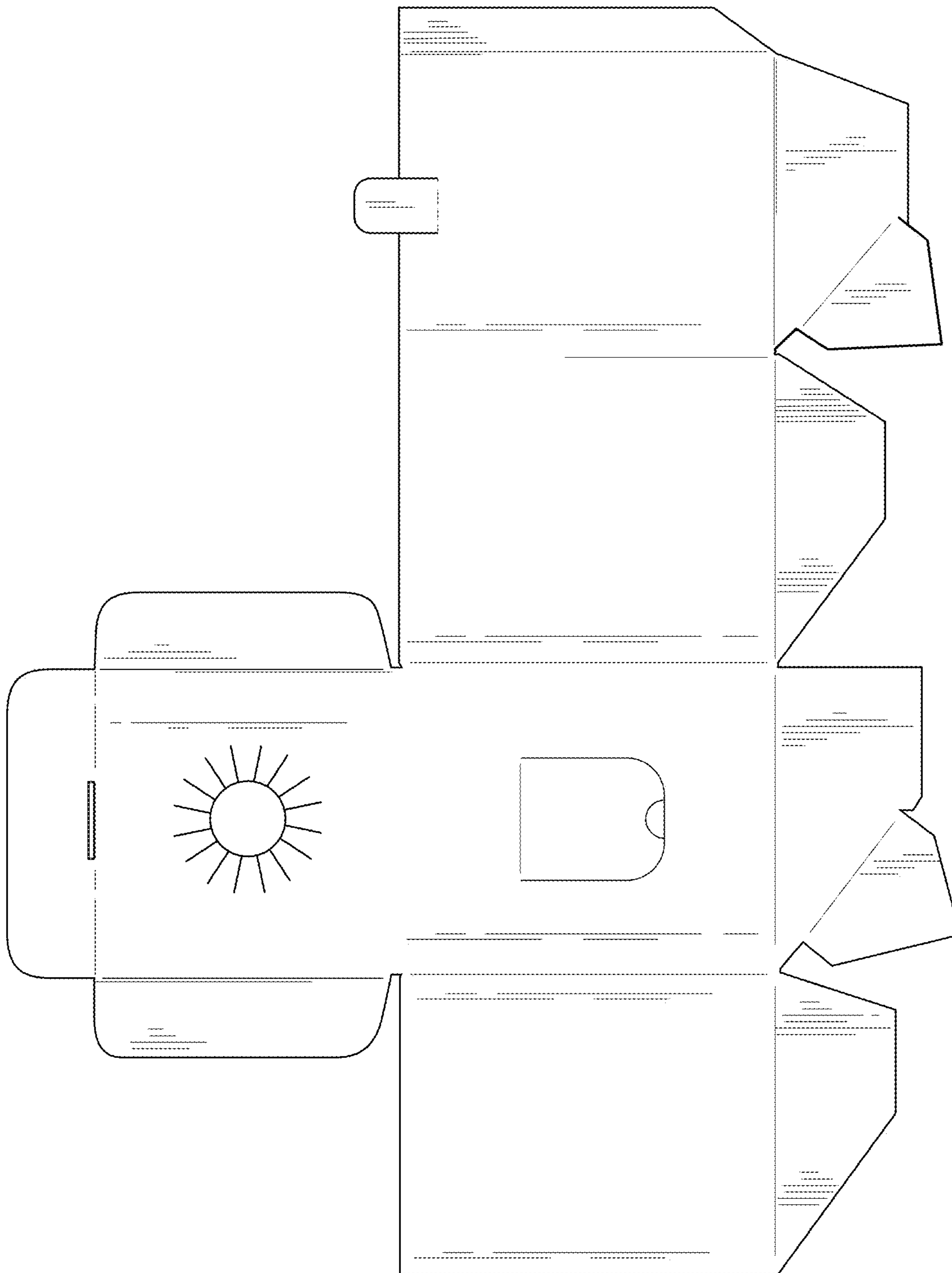


FIG. 8