



US00D896680S

(12) **United States Design Patent**
Sivriere

(10) **Patent No.:** **US D896,680 S**

(45) **Date of Patent:** **** Sep. 22, 2020**

(54) **RING**

(71) Applicant: **Richemont International SA,**
Villars-sur-Glane (CH)

(72) Inventor: **Stephanie Sivriere,** Geneva (CH)

(73) Assignee: **Richemont International SA,**
Villars-sur-Glane (CH)

(**) Term: **15 Years**

(21) Appl. No.: **29/687,187**

(22) Filed: **Apr. 11, 2019**

(51) **LOC (12) Cl.** **11-01**

(52) **U.S. Cl.**

USPC **D11/34; D11/27**

(58) **Field of Classification Search**

USPC D11/1-39, 43, 79, 91

CPC A44C 9/00; A44C 9/0007; A44C 9/0015;

A44C 9/0023; A44C 9/003; A44C

9/0038; A44C 9/0046; A44C 9/0053;

A44C 9/0061; A44C 9/0069; A44C

9/0076; A44C 9/0084; A44C 9/0092;

A44C 9/02

See application file for complete search history.

(56) **References Cited**

U.S. PATENT DOCUMENTS

D126,373 S * 4/1941 Braun D11/27
2,242,544 A * 5/1941 Porter A44C 9/02

63/15.5

D176,268 S * 12/1955 Katz D11/34

D273,771 S * 5/1984 Bulgari D11/34

D402,911 S * 12/1998 Barcon D11/4

D439,192 S * 3/2001 Ruscitti D11/26

D460,374 S * 7/2002 Park D11/4

D526,233 S * 8/2006 Hollis D11/1

D629,710 S * 12/2010 Fernandez Rives D11/34

D808,848 S * 1/2018 Parvex D11/27

D872,616 S * 1/2020 Parvex D11/4

D872,617 S * 1/2020 Parvex D11/4

D879,647 S * 3/2020 Parvex D11/4

FOREIGN PATENT DOCUMENTS

WO WO D200730-010 * 7/2019

OTHER PUBLICATIONS

Piaget Possession Open Ring G34P3F00, no date available, [online],
[site visited Apr. 27, 2020]. Retrieved from Url: <https://www.piaget.com/jewelry/white-gold-diamond-ring-g34p3f00> (Year: 2020).*

* cited by examiner

Primary Examiner — Michelle E. Wilson

Assistant Examiner — Tracey J Bell

(74) *Attorney, Agent, or Firm* — Taft Stettinius &
Hollister LLP

(57) **CLAIM**

The ornamental design for a ring, as shown and described.

DESCRIPTION

FIG. 1 is a front elevational view of a ring showing my new design;

FIG. 2 is a back elevational view thereof;

FIG. 3 is a top plan view thereof;

FIG. 4 is a bottom plan view thereof;

FIG. 5 is a right side elevational view thereof;

FIG. 6 is a left side elevational view thereof;

FIG. 7 is a front, top, right side perspective view thereof;

and,

FIG. 8 is a back, bottom, left side perspective view thereof.

1 Claim, 8 Drawing Sheets

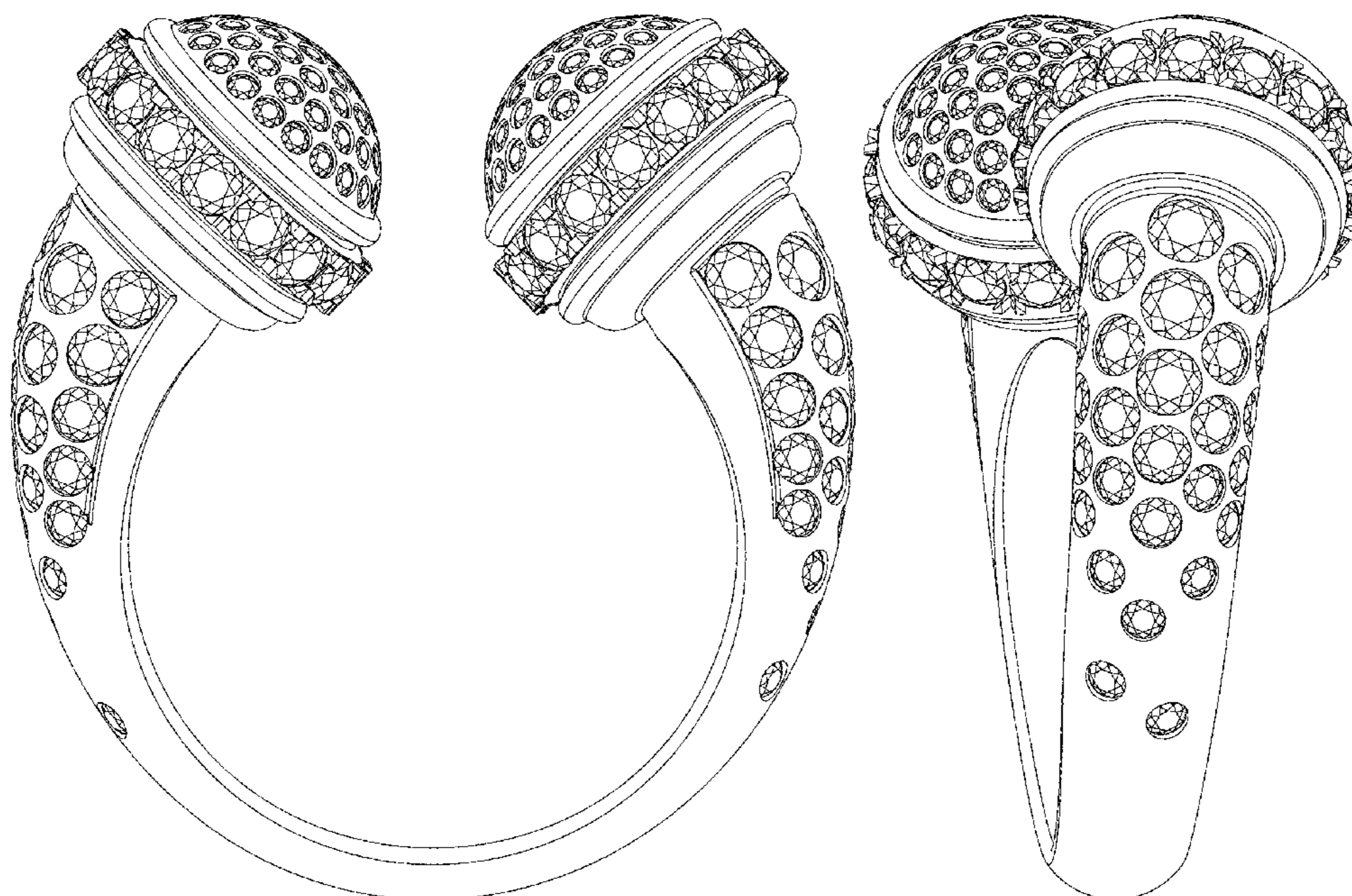




Fig. 1



Fig. 2

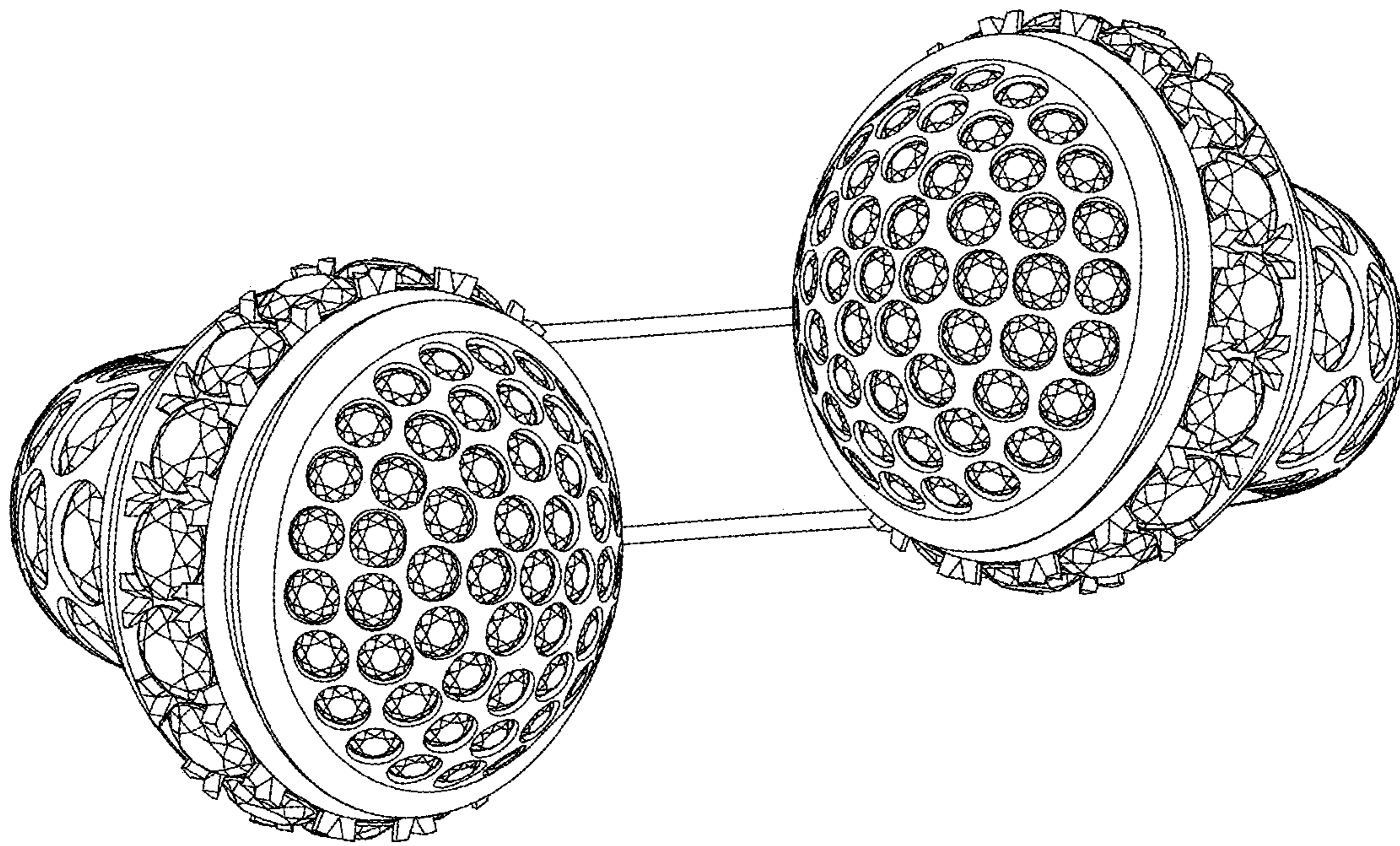


Fig. 3

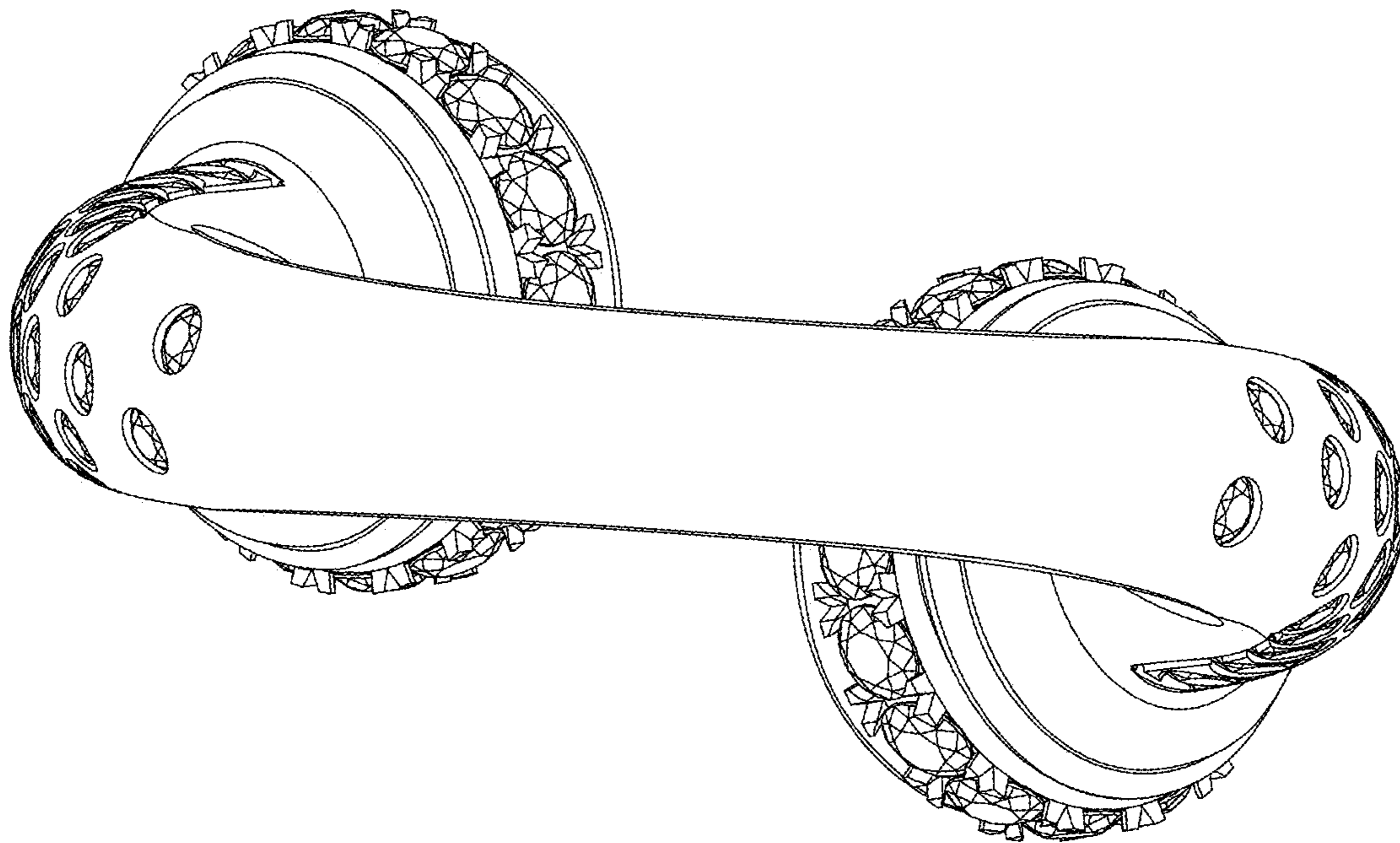


Fig. 4

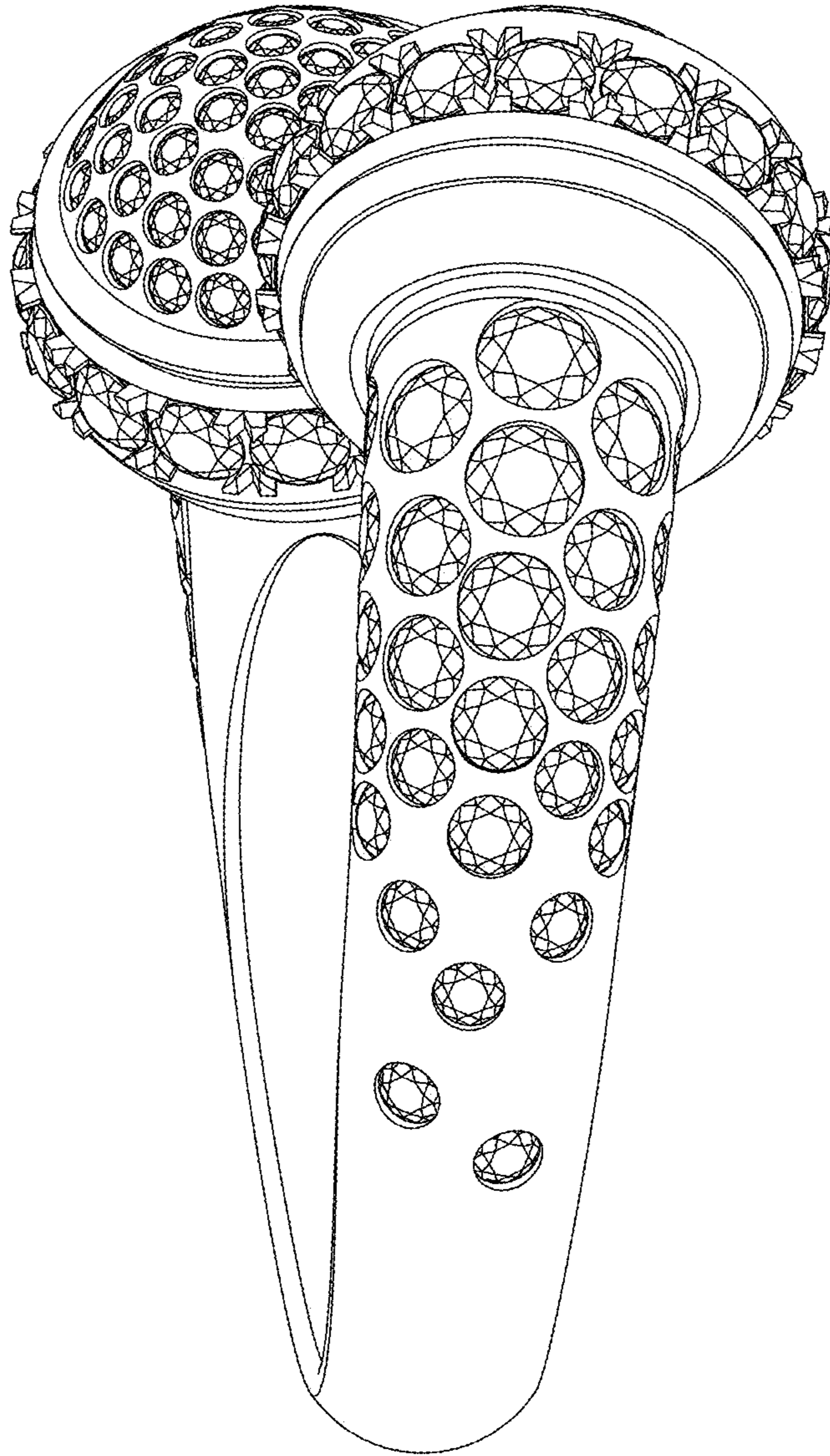


Fig. 5

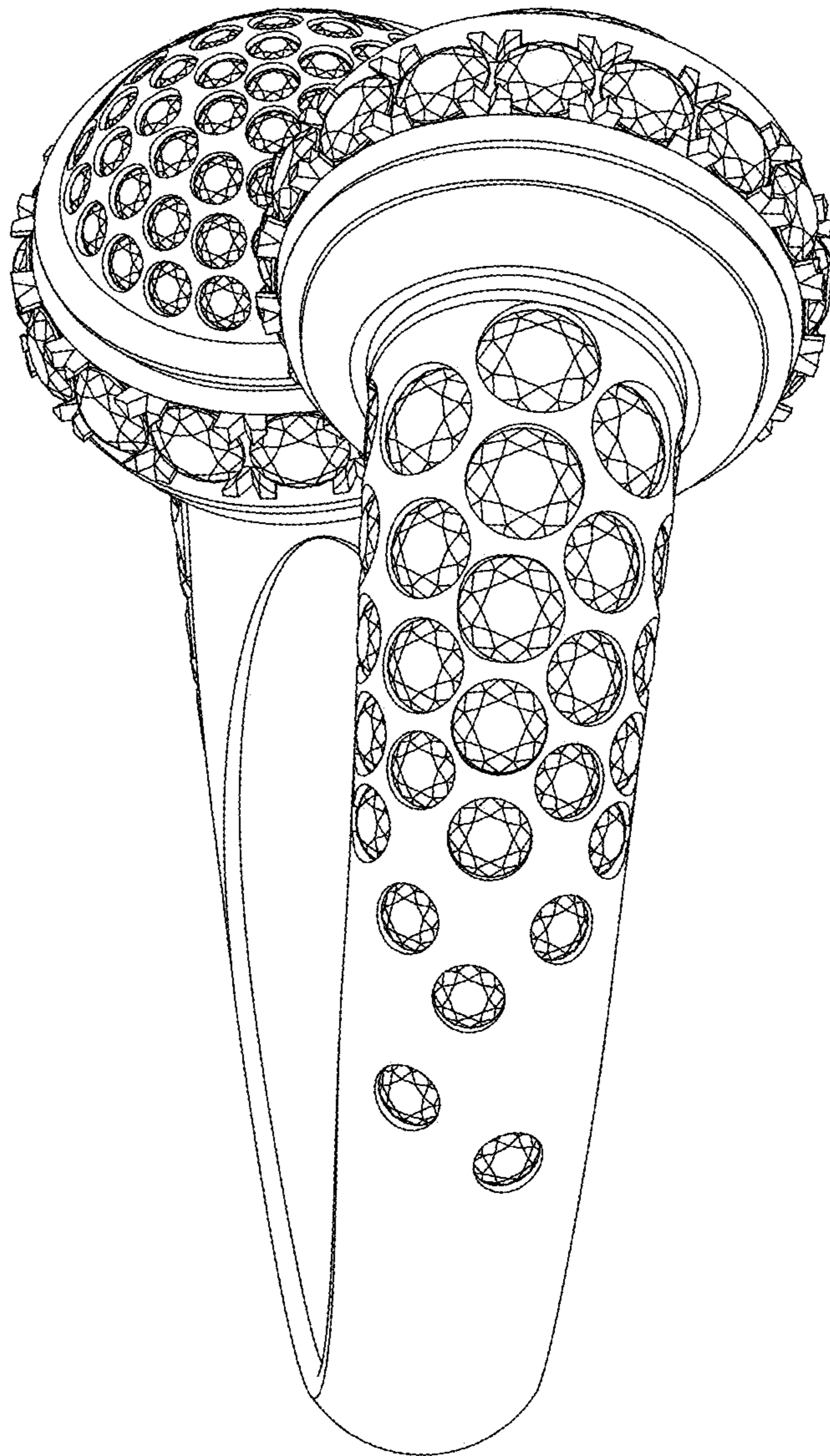


Fig. 6



Fig. 7



Fig. 8