



US00D896677S

(12) **United States Design Patent** (10) **Patent No.:** **US D896,677 S**  
**Wang** (45) **Date of Patent:** **\*\* Sep. 22, 2020**

(54) **SMARTWATCH BAND**

FOREIGN PATENT DOCUMENTS

(71) Applicant: **Bo Wang**, Shenzhen (CN)

CN RGN-305221180 \* 6/2019

(72) Inventor: **Bo Wang**, Shenzhen (CN)

OTHER PUBLICATIONS

(\*\*) Term: **15 Years**

(21) Appl. No.: **29/665,801**

Accessories for Fitbit Charge 3 Blue Milanese Loop Band (available online) Retrieved from the internet Apr. 24, 2020 from URL: <https://poshmark.com/listing/For-Fitbit-Charge-3-Blue-Milanese-Loop-Band-5cbf56fa8d6f1a8af6acde1c>.\*

(22) Filed: **Oct. 7, 2018**

Fashion Stainless Steel Magnetic Loop Band (available online) Retrieved from the internet Apr. 26, 2020 from URL: <https://www.nicerin.com/products/fashion-stainless-steel-magnetic-loop-band-for-fitbit-charge-3-smart-watch-replacement-wristband-strap-for-fitbit-charge-3-watchband?variant=29059482157104> 1.\*

(51) **LOC (12) Cl.** ..... **11-01**

(52) **U.S. Cl.**  
USPC ..... **D11/3**

(58) **Field of Classification Search**

USPC ..... D10/31, 32, 38, 39, 46, 70; D11/1-25, D11/86, 87; D14/344

CPC .... A44C 5/12; A44C 5/14; A44C 5/18; A44C 5/0053; A44C 5/0069; A44C 5/0076; A44C 5/00; A44C 5/0007; A44C 5/0015; A44C 5/0023; A44C 5/003; A44C 5/0061; A44C 5/147; A44C 5/185; A44C 5/2047; A44C 5/2052; G04B 37/00; G04B 37/1486; A44B 11/006; A44B 11/24; A61B 5/681

12mm Watch Band Milanese Loop Stainless Steel Strap (available online) Retrieved from the internet Apr. 24, 2020 from URL: <https://www.banggood.com/search/12mm-milanese-watch-band-replacement-for-fitbit-alta-sale.html?from=nav>.\*

\* cited by examiner

See application file for complete search history.

*Primary Examiner* — Kevin K Rudzinski

*Assistant Examiner* — Richard Kearney

(74) *Attorney, Agent, or Firm* — Erson IP (Nelson IP)

(56) **References Cited**

U.S. PATENT DOCUMENTS

D755,070 S *	5/2016	Akana	.....	D11/5
D826,744 S *	8/2018	Liu	.....	D10/70
D826,745 S *	8/2018	Liu	.....	D10/70
D837,082 S *	1/2019	Akana	.....	D11/3
D843,875 S *	3/2019	Akana	.....	D11/34
D857,542 S *	8/2019	Sun	.....	D11/3
D858,517 S *	9/2019	Kern	.....	D14/344
D862,277 S *	10/2019	Ling	.....	D11/3
D867,901 S *	11/2019	Wu	.....	D10/32
D873,695 S *	1/2020	Chen	.....	D11/3
D877,628 S *	3/2020	Lee	.....	D10/32
D882,445 S *	4/2020	Liao	.....	D11/3
2020/0107619 A1 *	4/2020	Liang	.....	G04B 37/1486

(57) **CLAIM**

The ornamental design for a smartwatch band, as shown and described.

**DESCRIPTION**

FIG. 1 is a perspective view of a smartwatch band showing my new design;

FIG. 2 is a front view thereof;

FIG. 3 is a rear view thereof;

FIG. 4 is a left side view thereof;

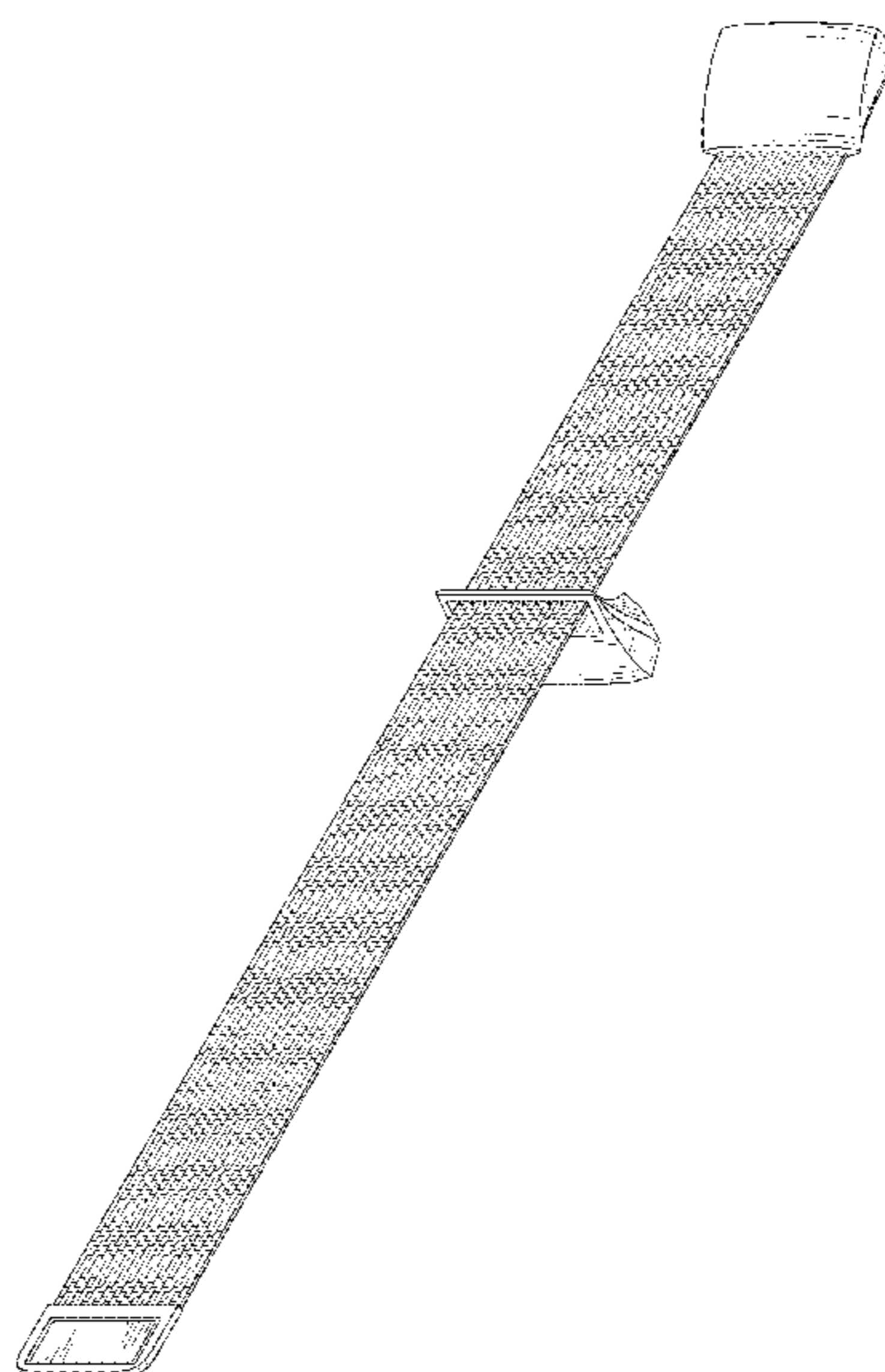
FIG. 5 is a right side view thereof;

FIG. 6 is an enlarged top plan view thereof; and,

FIG. 7 is an enlarged bottom plan view thereof.

The broken line shown in the drawings illustrate portions of the article and form no part of the claimed design.

**1 Claim, 7 Drawing Sheets**



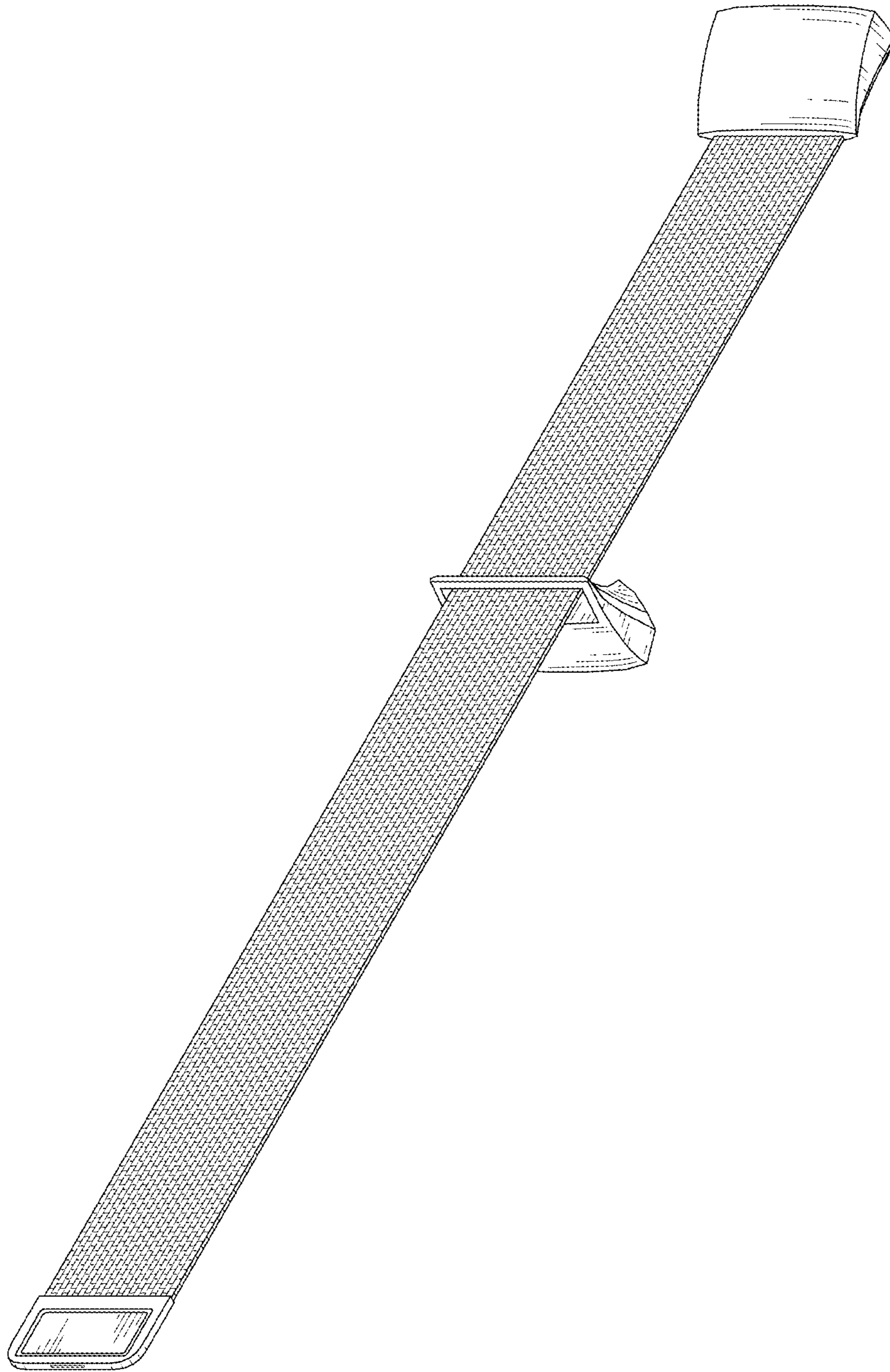


FIG. 1

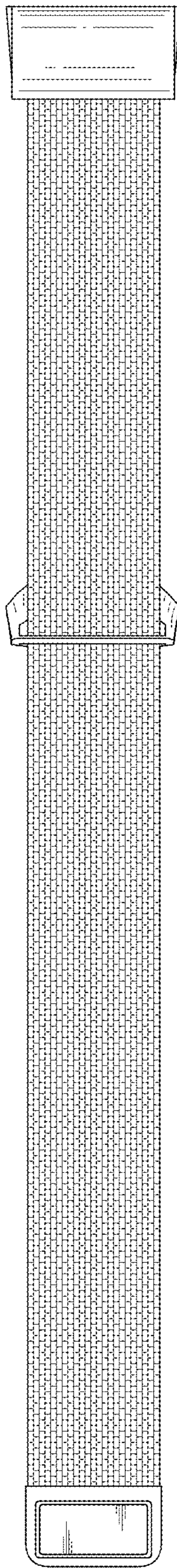


FIG. 2

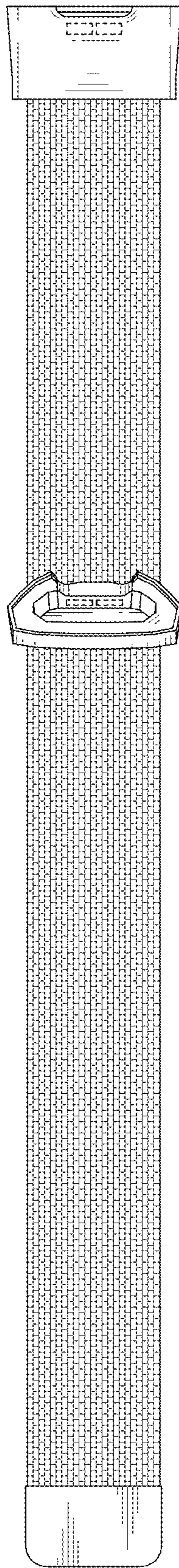


FIG. 3

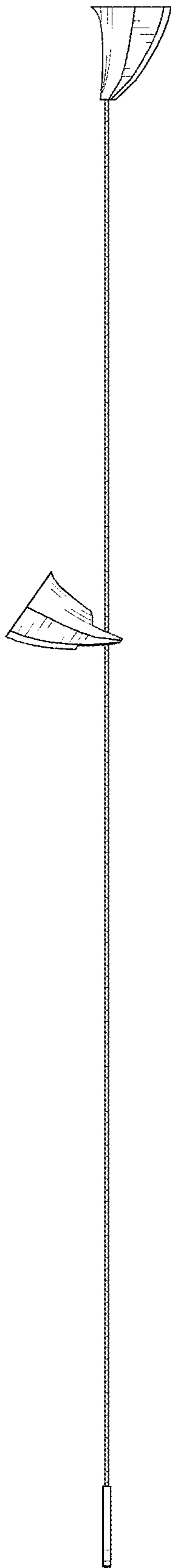


FIG. 4

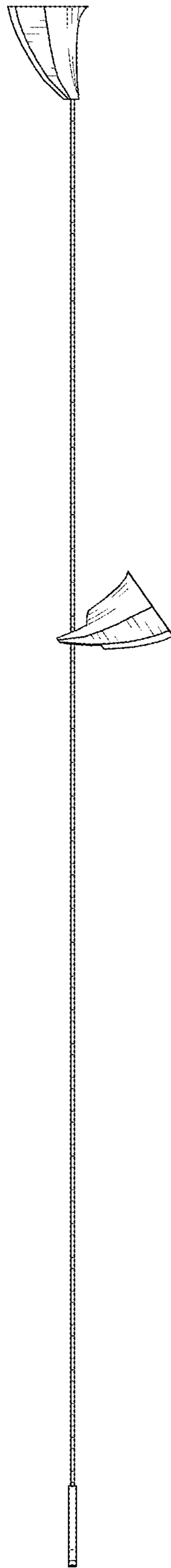


FIG. 5

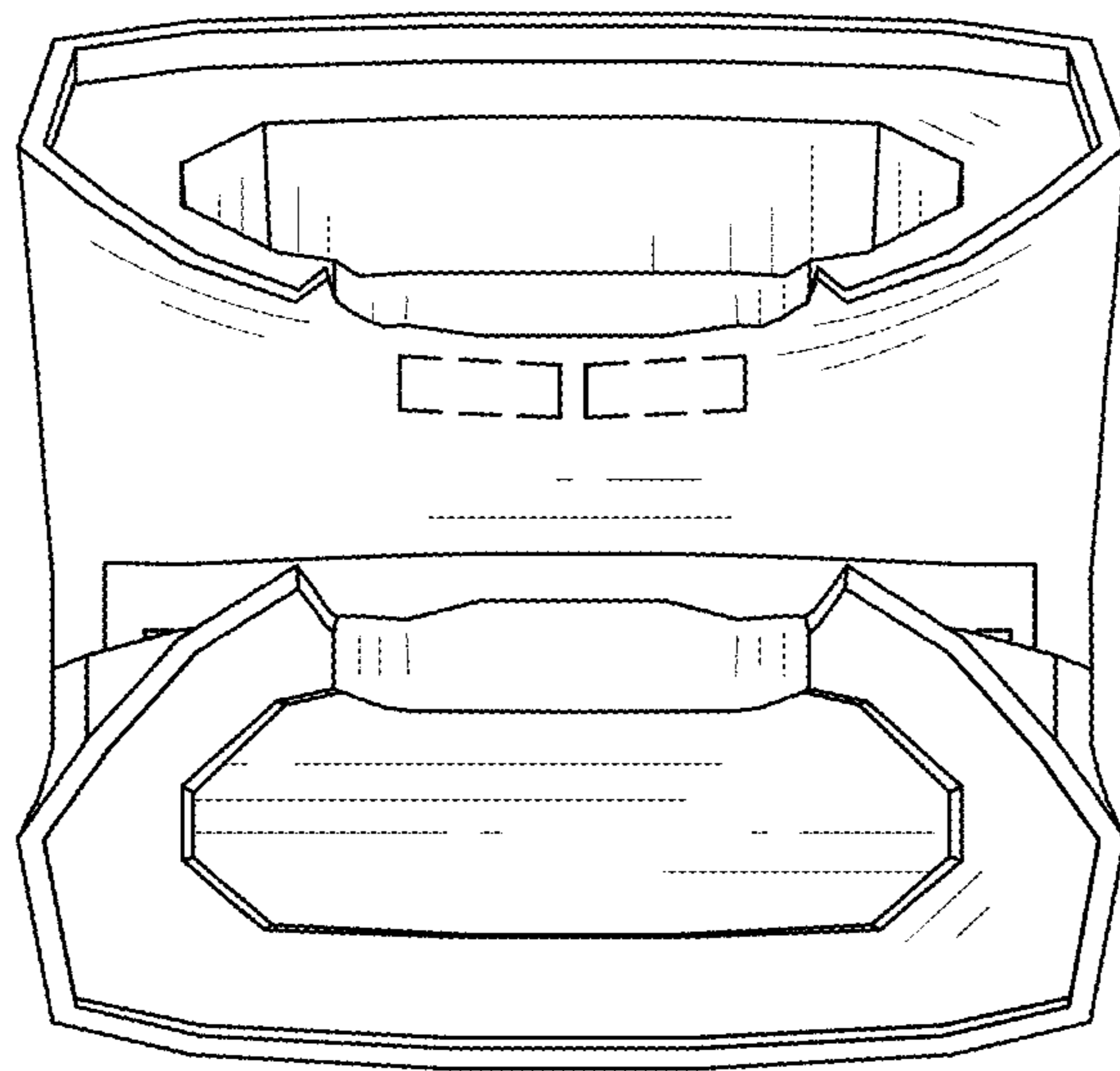


FIG. 6

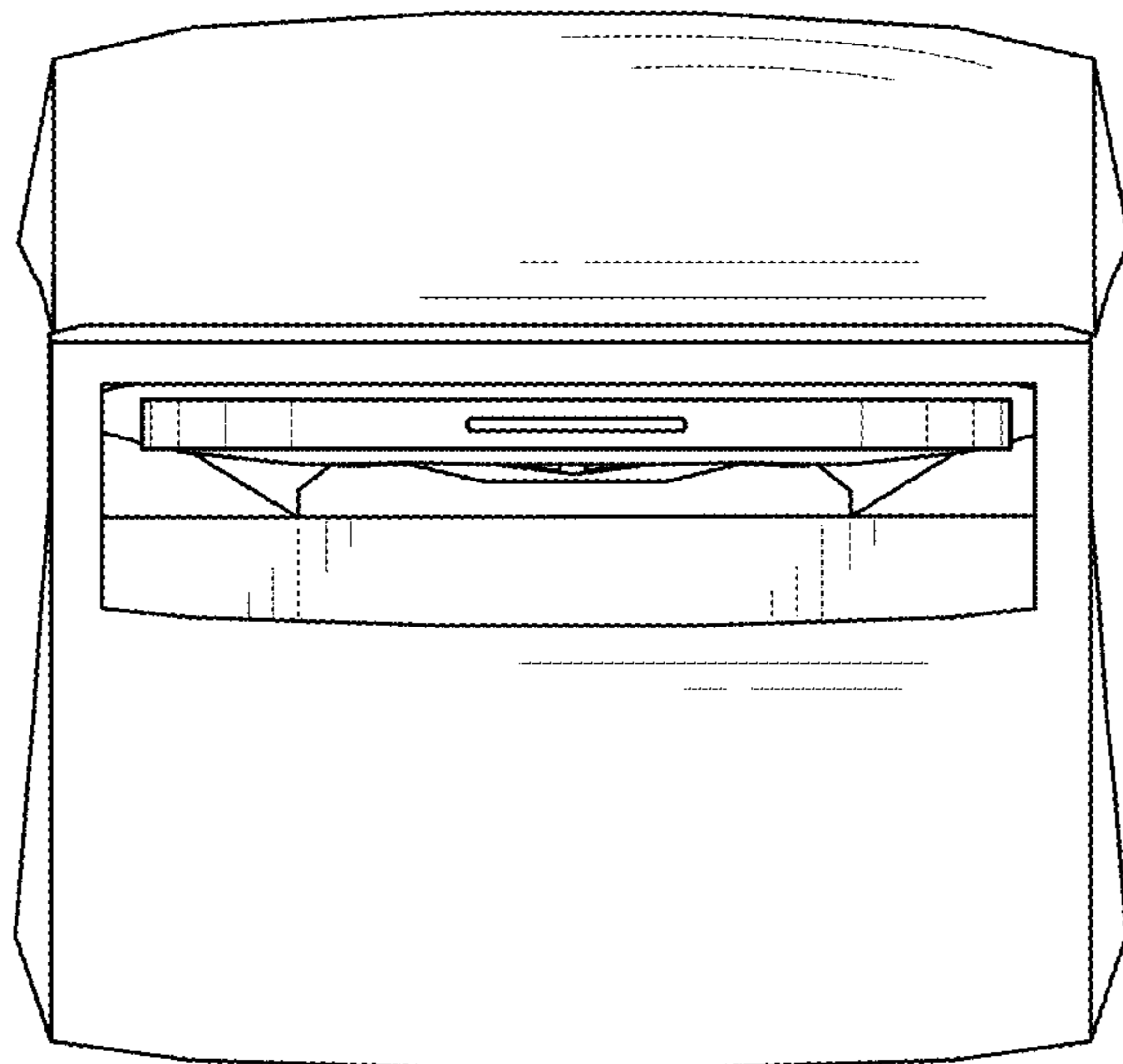


FIG. 7