



US00D896676S

(12) **United States Design Patent**  
**Lardi**

(10) **Patent No.:** **US D896,676 S**

(45) **Date of Patent:** **\*\* Sep. 22, 2020**

- (54) **ELECTRONIC DEVICE CLIP**
- (71) Applicant: **Gordon C. Lardi**, Coral Springs, FL (US)
- (72) Inventor: **Gordon C. Lardi**, Coral Springs, FL (US)
- (\*\*) Term: **15 Years**
- (21) Appl. No.: **29/611,393**
- (22) Filed: **Jul. 20, 2017**
- (51) **LOC (12) Cl.** ..... **10-07**
- (52) **U.S. Cl.**  
USPC ..... **D10/128**
- (58) **Field of Classification Search**  
USPC ..... D10/1-41, 122, 124, 125, 128-130, 70, D10/104.1, 104.2, 103, 106.92; D14/170, D14/171, 371, 374, 375, 376, 217, 344, D14/432, 447, 448; D24/186  
CPC ..... G04C 17/00; G04C 3/00; A61M 2230/00; A61M 2230/63  
See application file for complete search history.

- D737,708 S \* 9/2015 Jung ..... D10/98
- D739,223 S \* 9/2015 Paik ..... D8/396
- D744,882 S \* 12/2015 Jung ..... D10/70
- D751,558 S \* 3/2016 Lee ..... D10/103
- D758,901 S \* 6/2016 Benoit ..... D10/70
- D760,098 S \* 6/2016 Benoit ..... D10/70
- D766,711 S \* 9/2016 Babbage ..... D8/394
- D768,635 S \* 10/2016 Due ..... D14/432
- D777,167 S \* 1/2017 Wengreen ..... D14/447
- D795,844 S \* 8/2017 Harper ..... D14/223
- 9,723,910 B2 \* 8/2017 Due ..... A45F 5/10
- D796,735 S \* 9/2017 Foleghi ..... D27/107
- D800,700 S \* 10/2017 Bergman ..... D14/217
- D807,215 S \* 1/2018 Martin ..... D10/104.1
- D815,550 S \* 4/2018 Masuyama ..... D10/70
- D817,332 S \* 5/2018 Yaprak ..... D14/432
- D823,841 S \* 7/2018 Marini ..... D14/238
- D828,189 S \* 9/2018 Benedetti ..... D10/70

(Continued)

*Primary Examiner* — Sandra Snapp  
(74) *Attorney, Agent, or Firm* — Diana Mederos; Mederos Legal, PLLC

(57) **CLAIM**

The ornamental design for an electronic device clip, as shown and described.

(56) **References Cited**

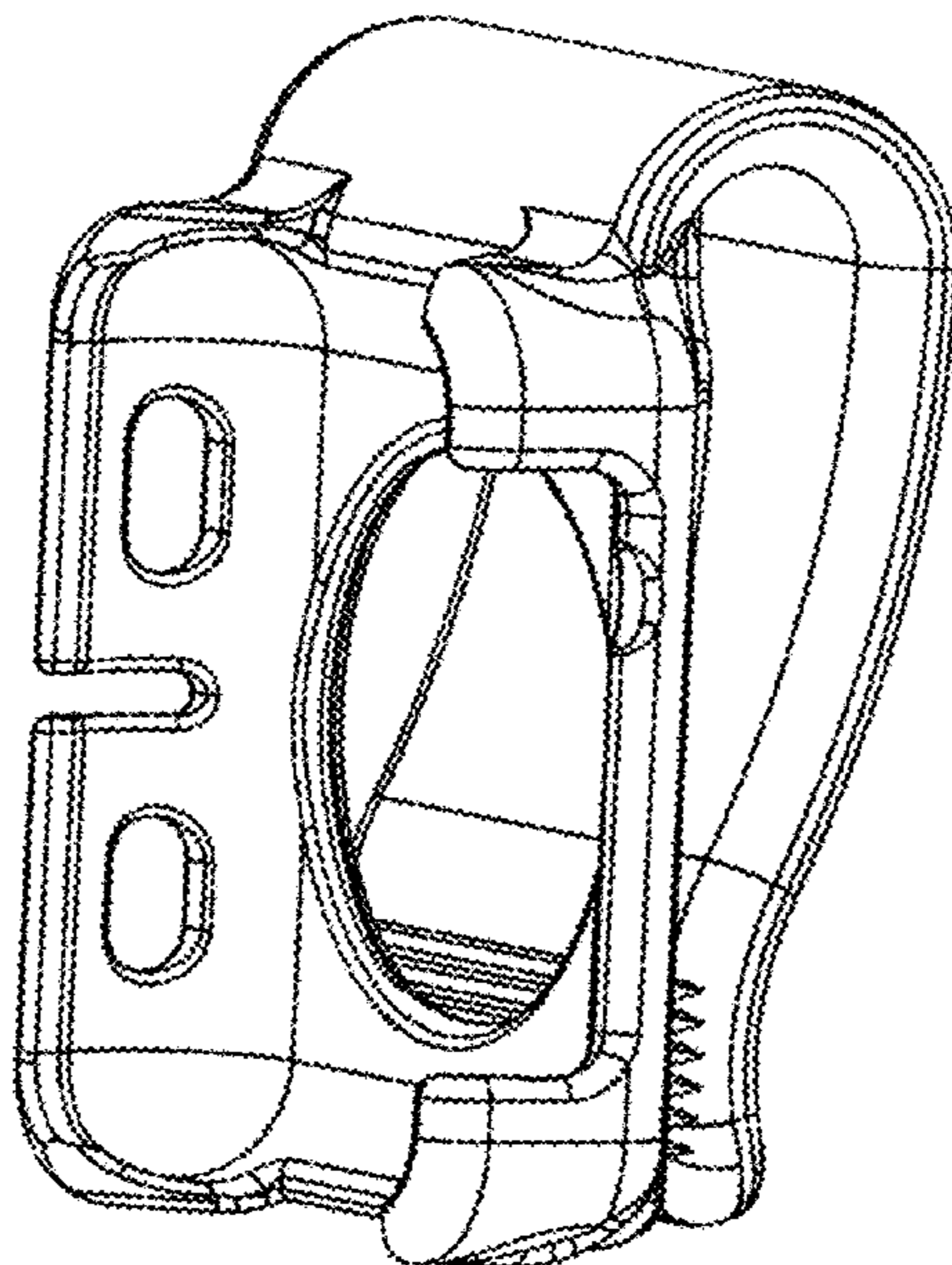
U.S. PATENT DOCUMENTS

- D424,467 S \* 5/2000 Perez ..... D10/104.2
- D659,037 S \* 5/2012 Madsen ..... D10/65
- D677,589 S \* 3/2013 Jung ..... D10/65
- D682,126 S \* 5/2013 Tello ..... B42D 25/22 D10/70
- D692,784 S \* 11/2013 Anderssen ..... D10/106.92
- D693,250 S \* 11/2013 Anderssen ..... D10/65
- D702,141 S \* 4/2014 Jung ..... D10/65
- D709,392 S \* 7/2014 Wang ..... D10/70
- D724,461 S \* 3/2015 Jung ..... D10/70
- D728,393 S \* 5/2015 Au Yeung ..... D10/70
- D729,655 S \* 5/2015 Bauer ..... D10/70
- D730,225 S \* 5/2015 Behar ..... D10/103
- D737,707 S \* 9/2015 Jung ..... D10/70

**DESCRIPTION**

FIG. 1 is a front perspective view of an electronic device clip according to the present invention;  
FIG. 2 is a front view of the electronic device clip of FIG. 1;  
FIG. 3 is a bottom view of the electronic device clip of FIG. 1;  
FIG. 4 is a left side view of the electronic device clip of FIG. 1;  
FIG. 5 is a right side view of the electronic device clip of FIG. 1; and,  
FIG. 6 is a rear view of the electronic device clip of FIG. 1.

**1 Claim, 6 Drawing Sheets**



(56)

**References Cited**

U.S. PATENT DOCUMENTS

D847,789 S \* 5/2019 Virhia ..... D14/217  
D850,444 S \* 6/2019 Mullins ..... D14/344  
2003/0229276 A1\* 12/2003 Sarussi ..... A61B 5/02433  
600/322

\* cited by examiner

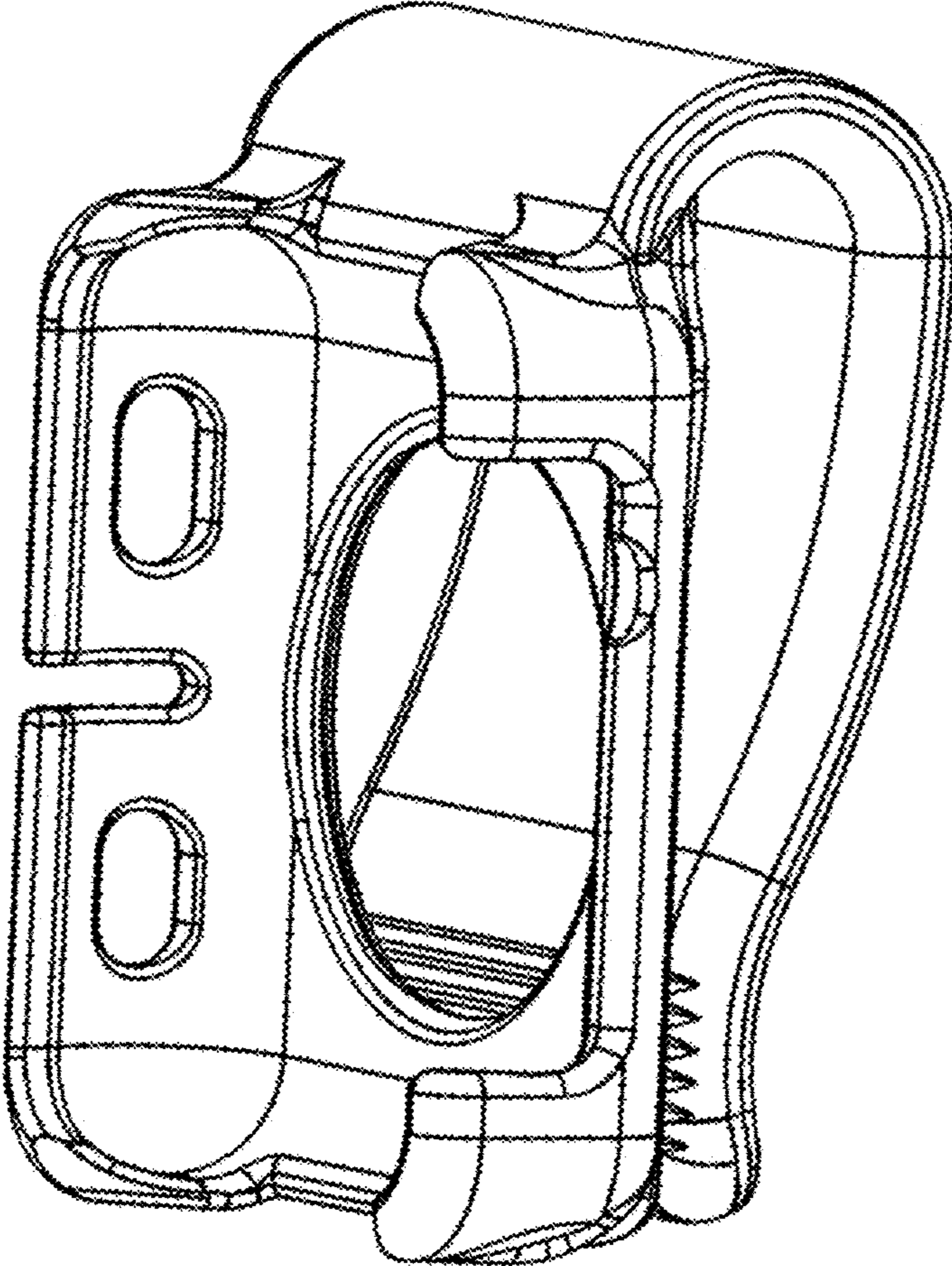


FIG. 1

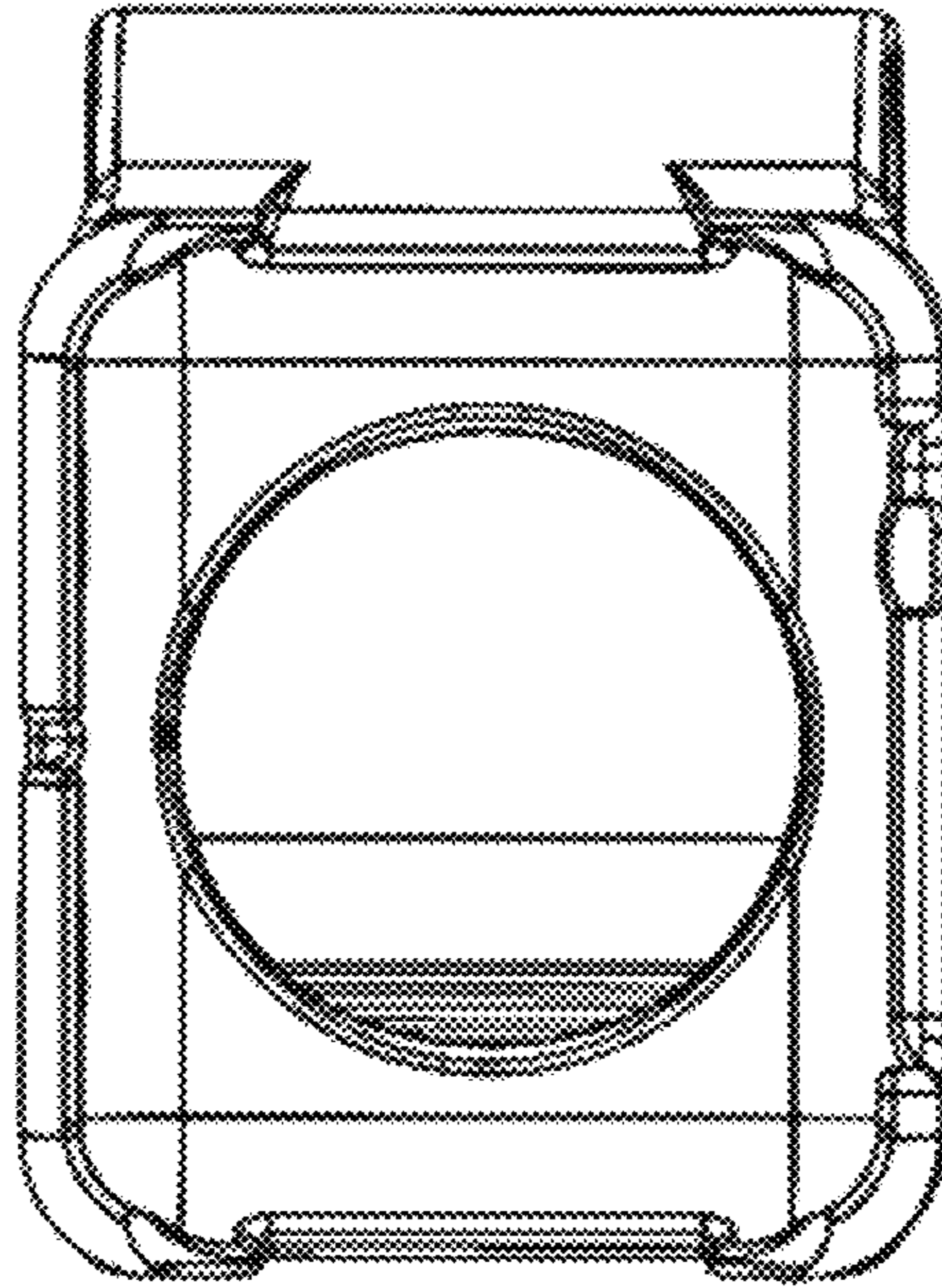


FIG. 2



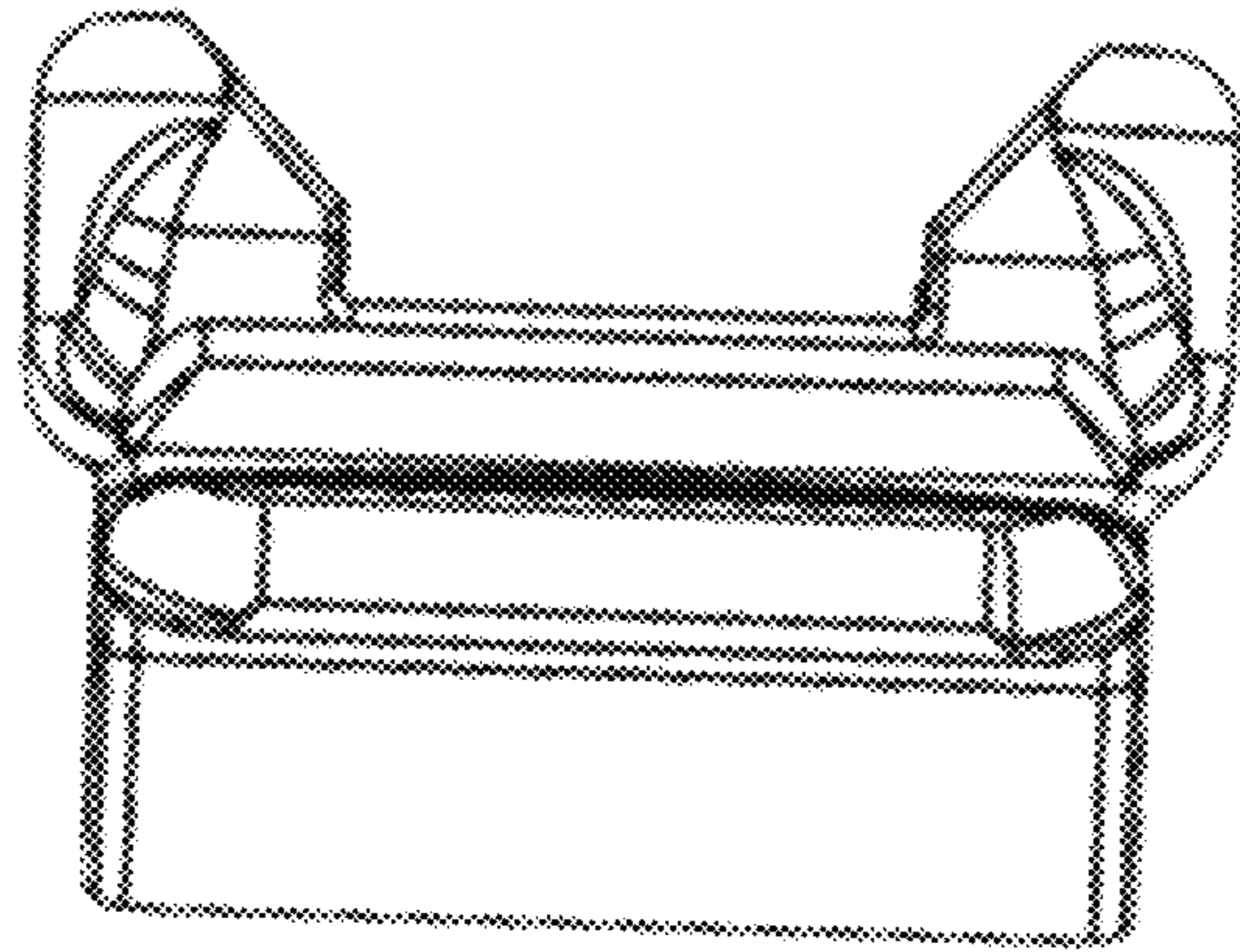


FIG. 3

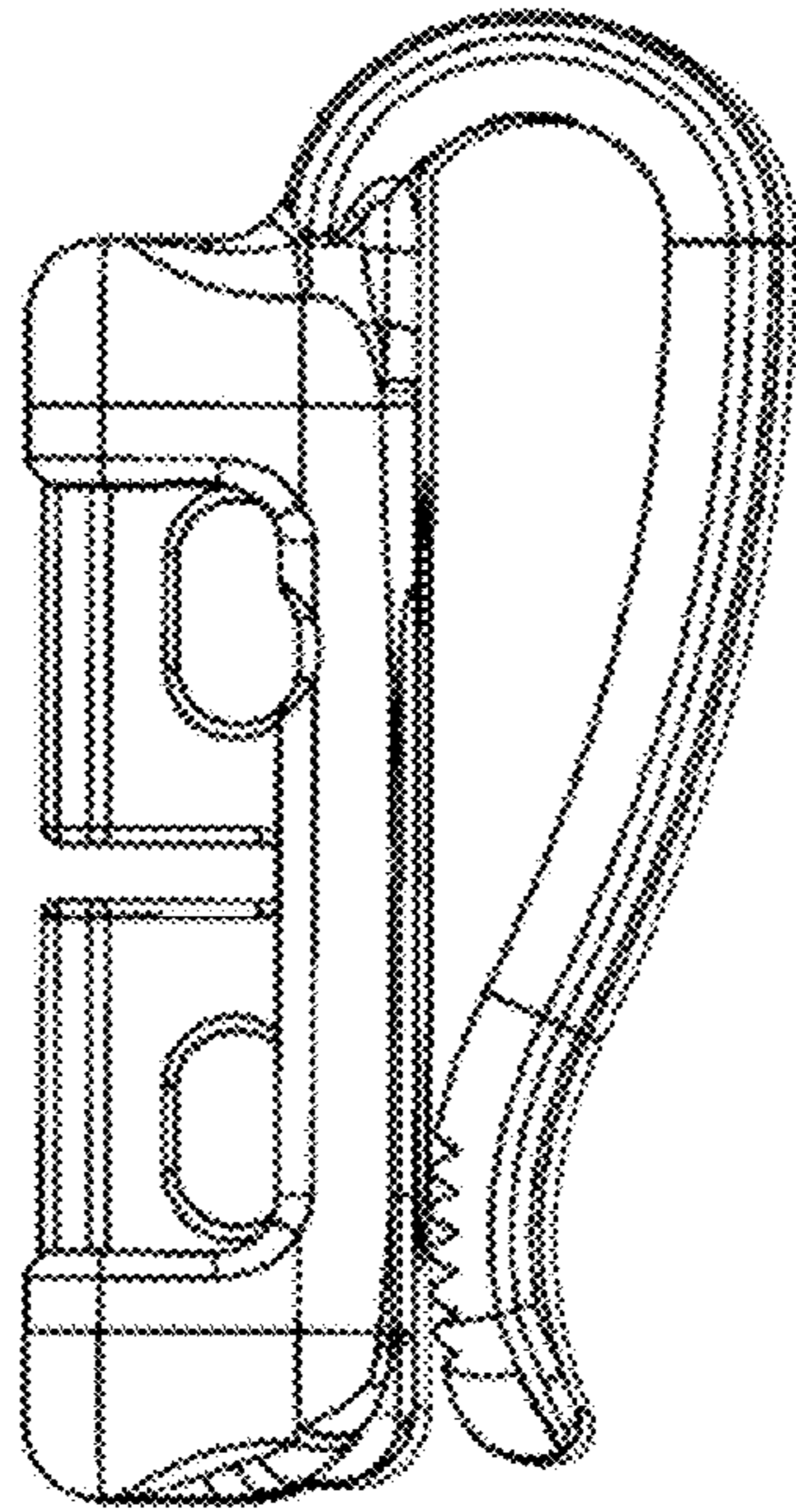


FIG. 4

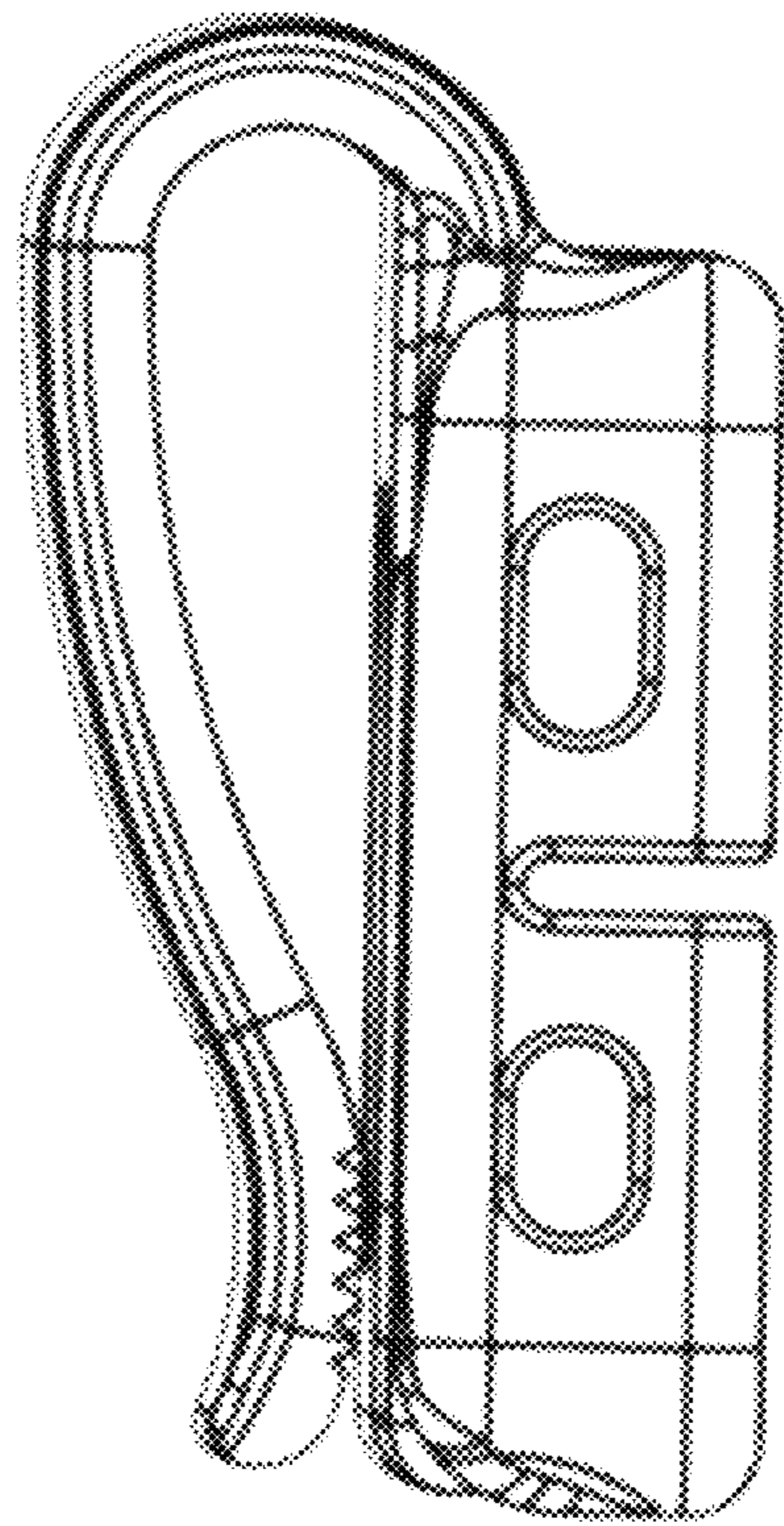


FIG. 5

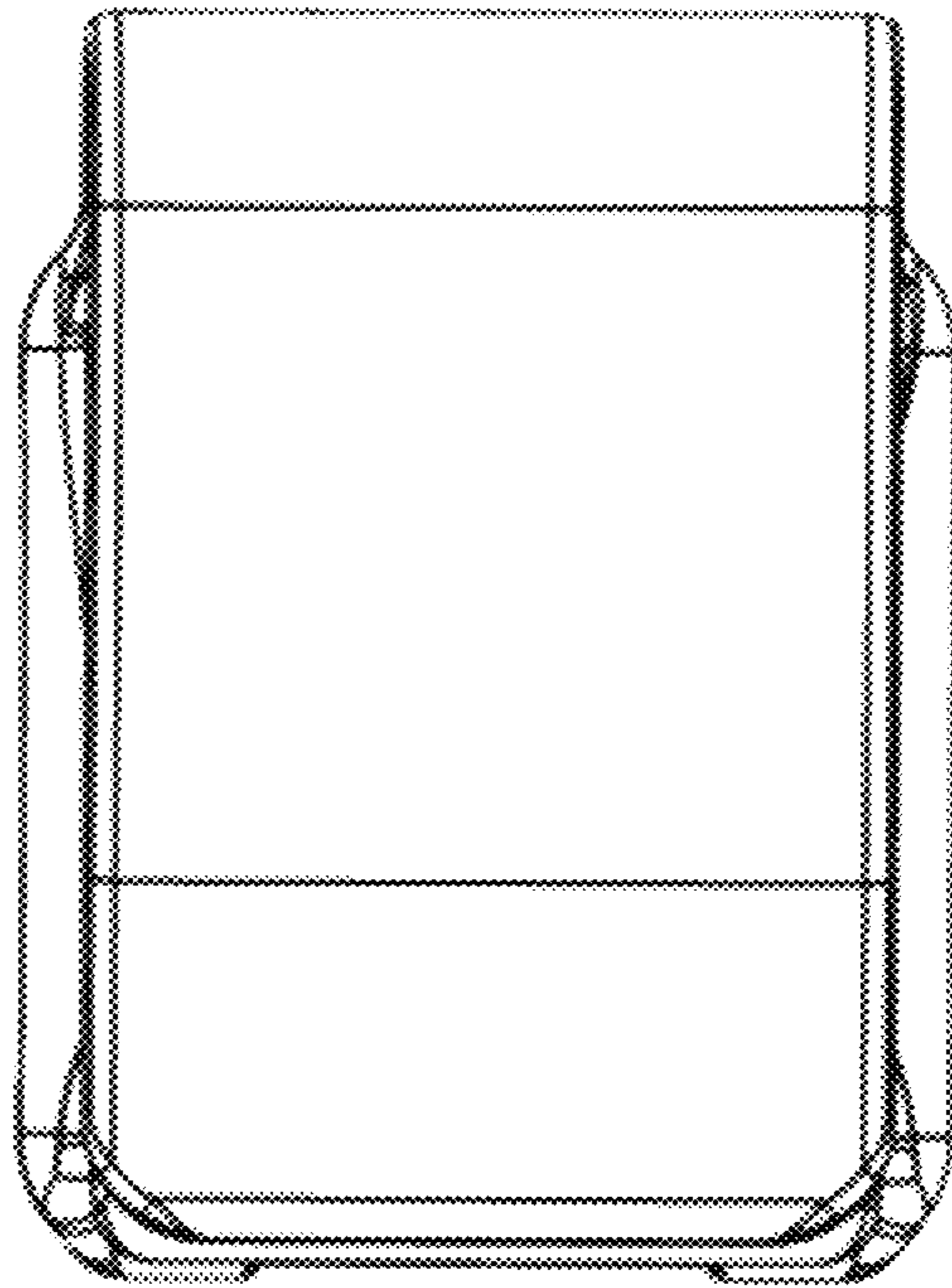


FIG. 6