



US00D896673S

(12) **United States Design Patent** (10) **Patent No.:** **US D896,673 S**
Brainard et al. (45) **Date of Patent:** **** Sep. 22, 2020**

| | | | |
|--|-----------------|---------|---------------------------------------|
| (54) ALARM HOUSING | D494,633 S | 8/2004 | Nussberger et al. |
| | D645,071 S | 9/2011 | Hinkel |
| (71) Applicant: Honeywell International Inc. , Morris Plains, NJ (US) | D678,097 S | 3/2013 | Elwell et al. |
| | D719,994 S | 12/2014 | Wang et al. |
| | D757,584 S | 5/2016 | Pusey et al. |
| (72) Inventors: Robert J. Brainard , Elgin, IL (US); Rebecca J. Peterson , Sycamore, IL (US) | D766,749 S | 9/2016 | Fadell et al. |
| | D766,750 S * | 9/2016 | Fadell G08B 17/113 D10/106.3 |
| | D773,332 S | 12/2016 | Kalyan et al. |
| | D786,110 S | 5/2017 | Kucala et al. |
| | D786,111 S | 5/2017 | Peterson |
| (73) Assignee: Honeywell International Inc. , Morris Plains, NJ (US) | D786,725 S | 5/2017 | McCormick et al. |
| | D852,662 S * | 7/2019 | Zhong D10/81 |
| (**) Term: 15 Years | 2008/0272922 A1 | 11/2008 | Spellman |

(21) Appl. No.: **29/695,342**
(22) Filed: **Jun. 18, 2019**

Related U.S. Application Data

(62) Division of application No. 29/581,464, filed on Oct. 19, 2016, now Pat. No. Des. 851,529.
(51) **LOC (12) Cl.** **10-05**
(52) **U.S. Cl.**
USPC **D10/106.2**
(58) **Field of Classification Search**
USPC D10/52-56, 104.1, 104.2, 106.1-106.95,
D10/108, 121, 123, 124, 125
CPC G08B 17/00; G08B 17/06; G08B 17/10;
G08B 17/11; G08B 17/12; G08B 17/103;
G08B 17/107; G08B 21/0438; G08B
21/0461; G08B 21/0469; G08B 21/0492
See application file for complete search history.

(56) **References Cited**

U.S. PATENT DOCUMENTS

| | | | | |
|---------------|--------|----------|-------|------------------------|
| D258,353 S * | 2/1981 | Mango | | D10/106.2 |
| 4,525,703 A * | 6/1985 | Bellino | | G08B 17/113 116/307 |
| 5,333,418 A | 8/1994 | Chambers | | |
| D412,296 S * | 7/1999 | Kawabata | | D10/106.2 |
| 6,057,778 A | 5/2000 | Davidson | | |

OTHER PUBLICATIONS

Hearing Impaired Smart Strobe Light, First Alert Store, 2016,
<https://www.firstalertstore.com/store/products/s1177-hearing-impaired-smart-strobe-light.htm>.

* cited by examiner

Primary Examiner — George D. Kirschbaum

Assistant Examiner — Joseph J Kukella

(74) *Attorney, Agent, or Firm* — Brooks, Cameron & Huebsch, PLLC

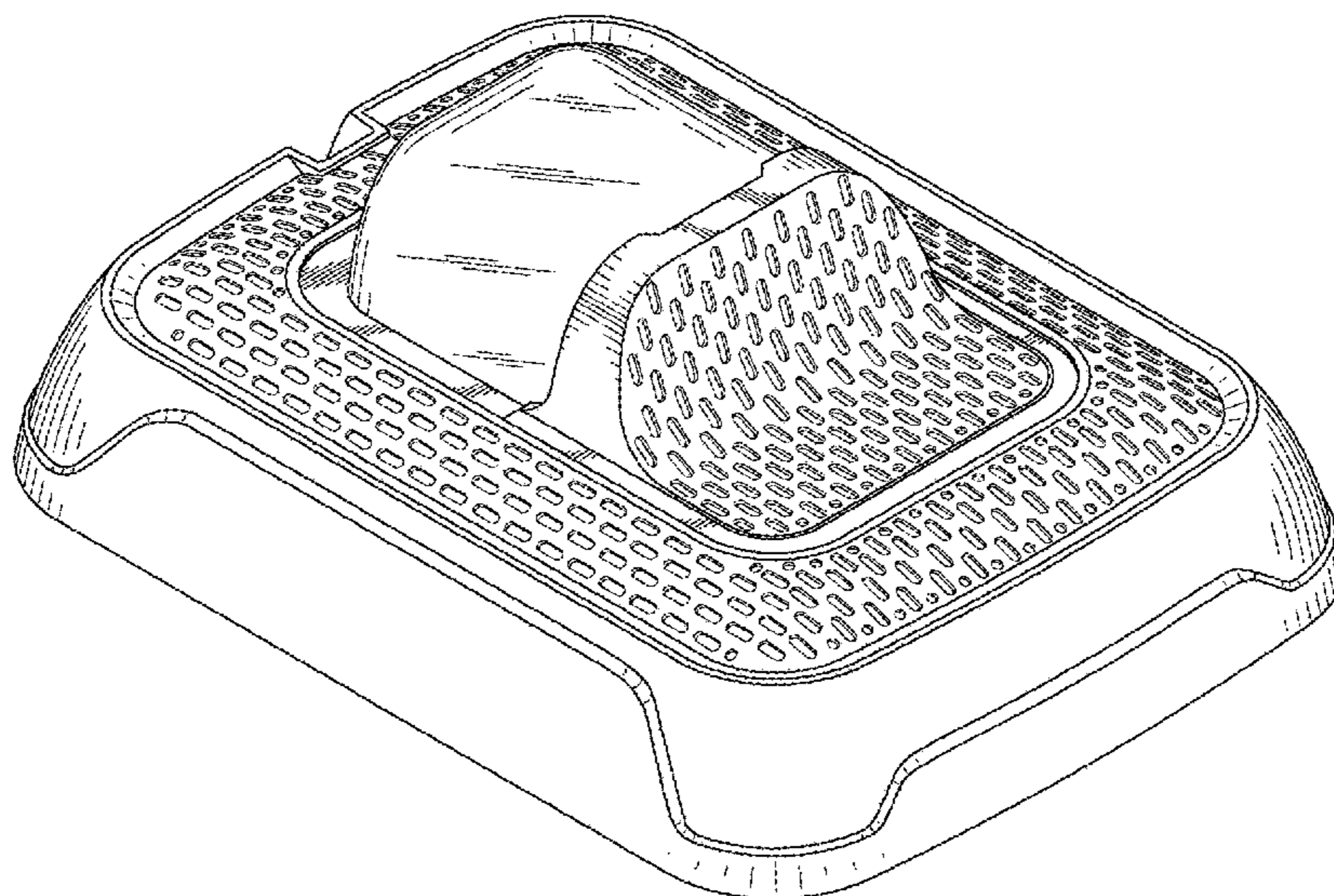
(57) **CLAIM**

The ornamental design for an alarm housing, as shown and described.

DESCRIPTION

FIG. 1 is a perspective view of an alarm housing in accordance with the present disclosure.
FIG. 2 is a front elevation view thereof.
FIG. 3 is a left side elevation view thereof.
FIG. 4 is a right side elevation view thereof.
FIG. 5 is a top plan view thereof; and,
FIG. 6 is a bottom plan view thereof.
The broken lines shown in FIGS. 1-6 depict portions of the alarm housing that form no part of the claimed design.

1 Claim, 6 Drawing Sheets



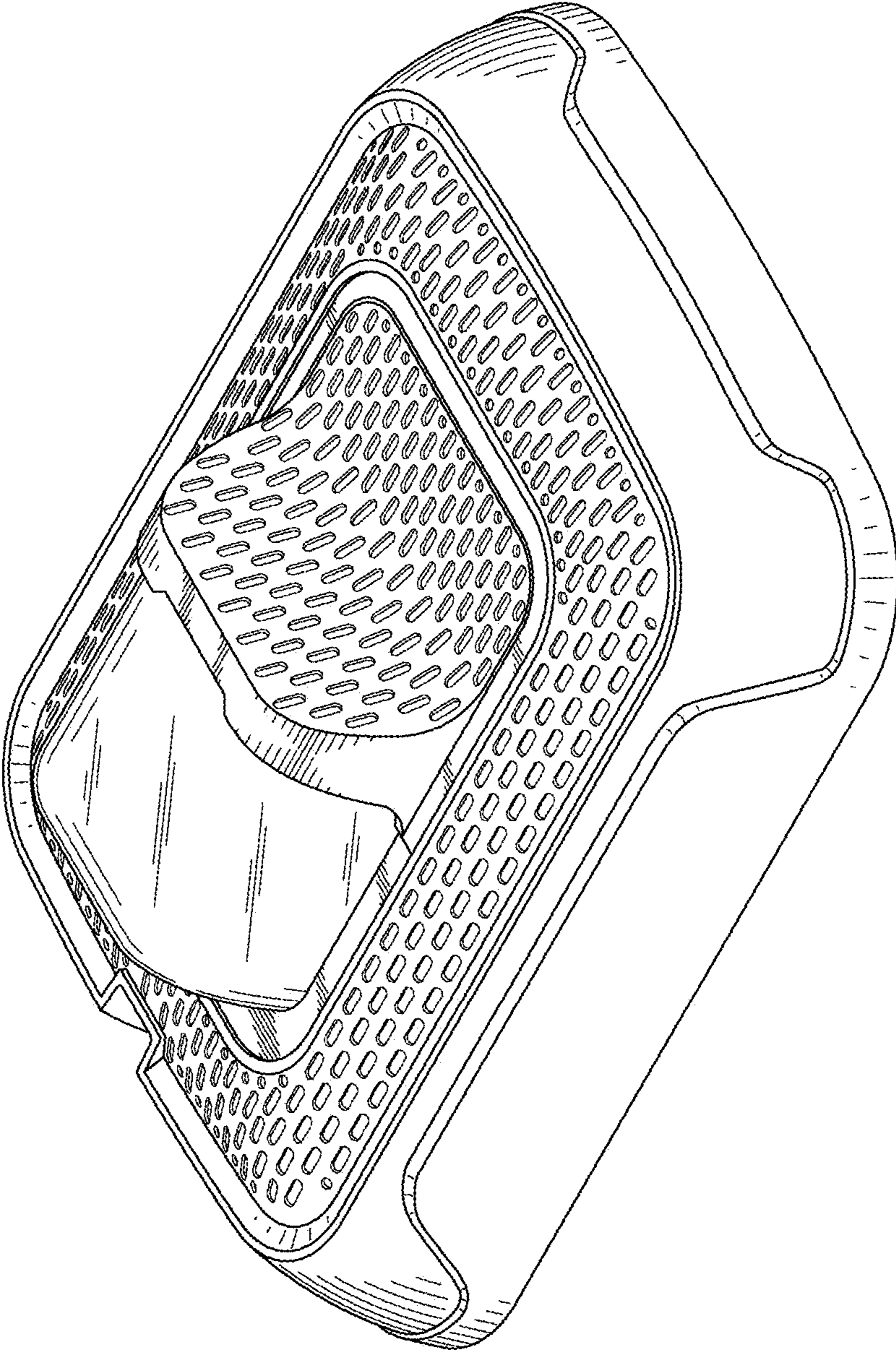


FIG. 1

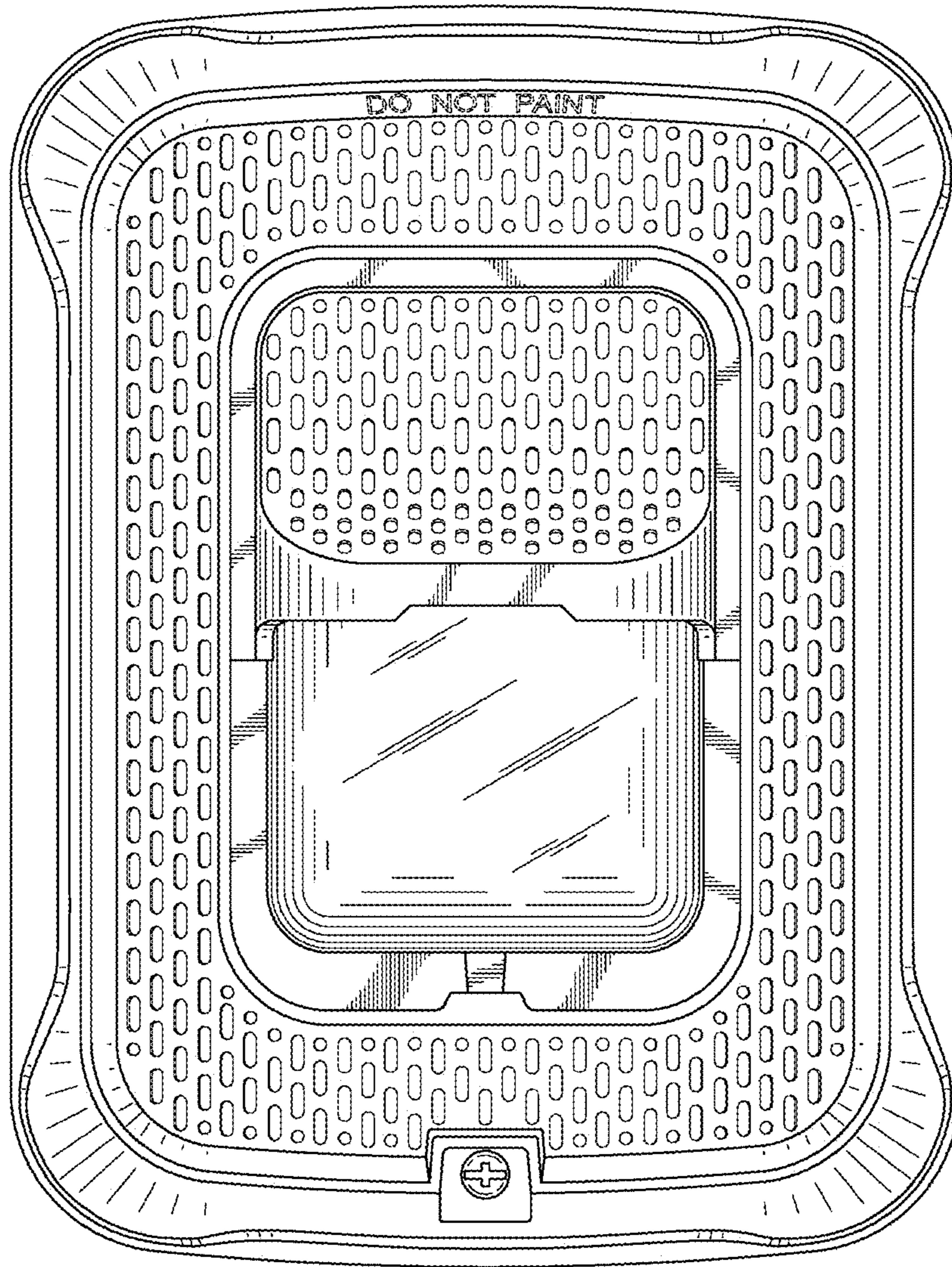


FIG. 2

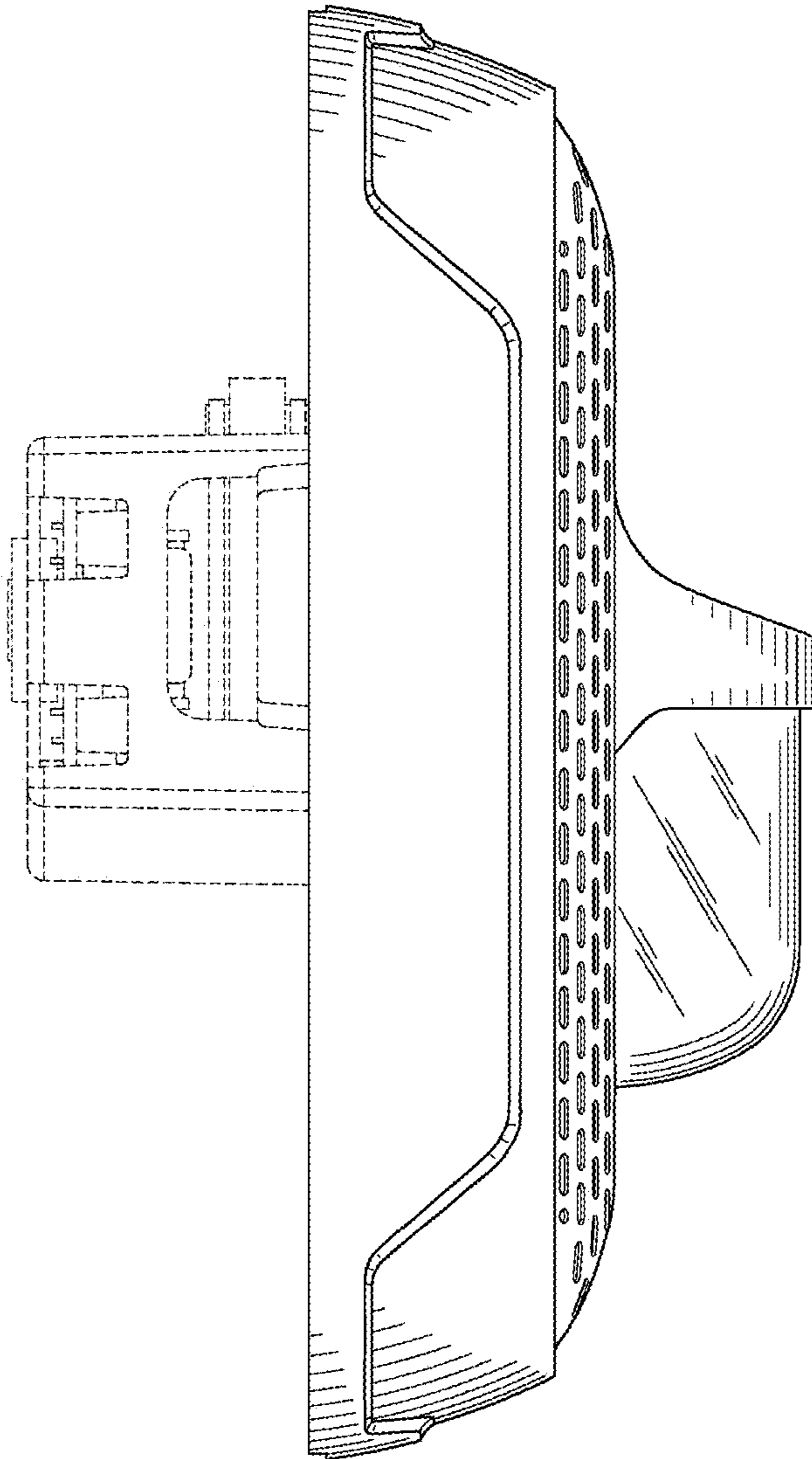


FIG. 3

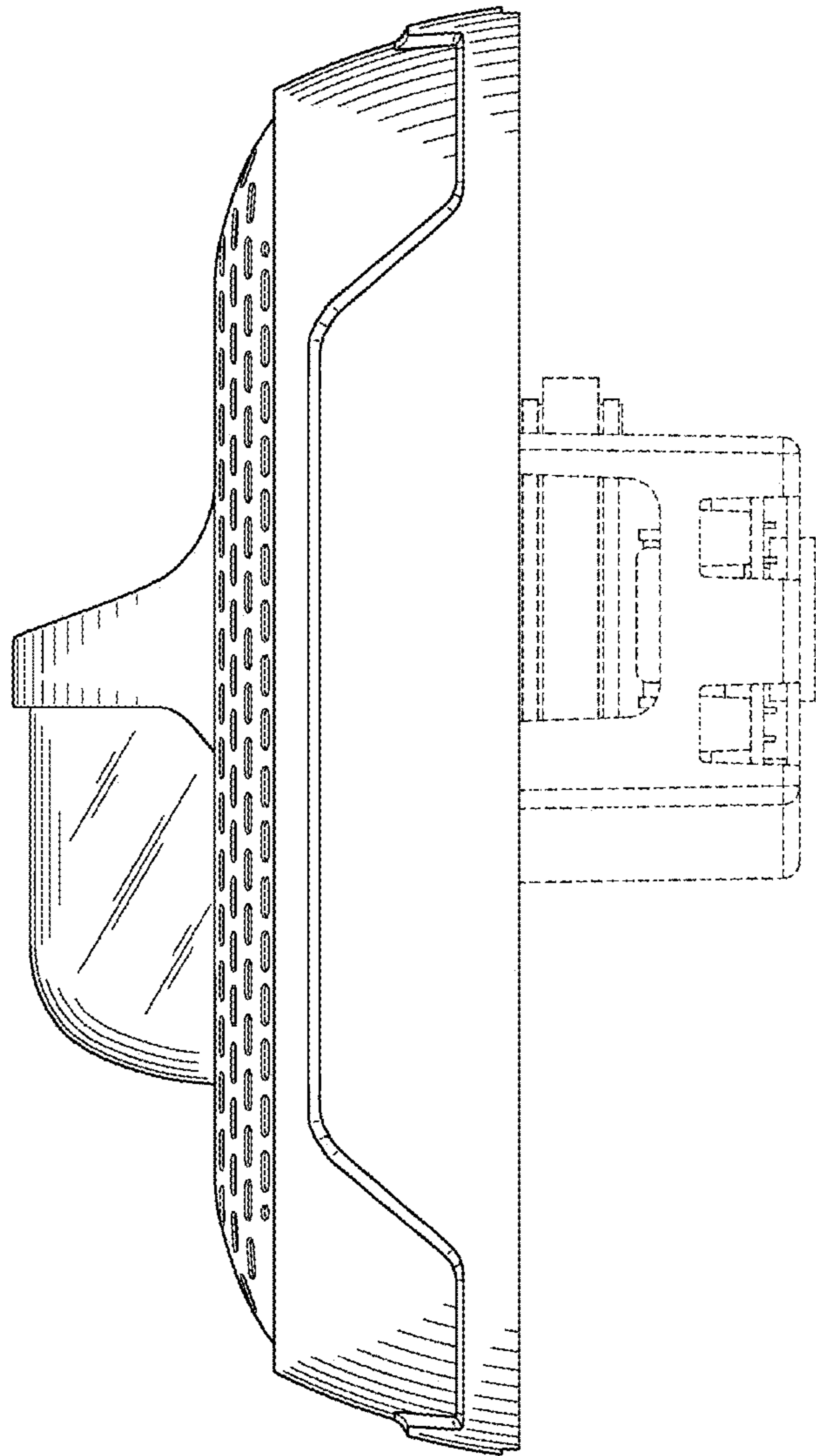


FIG. 4

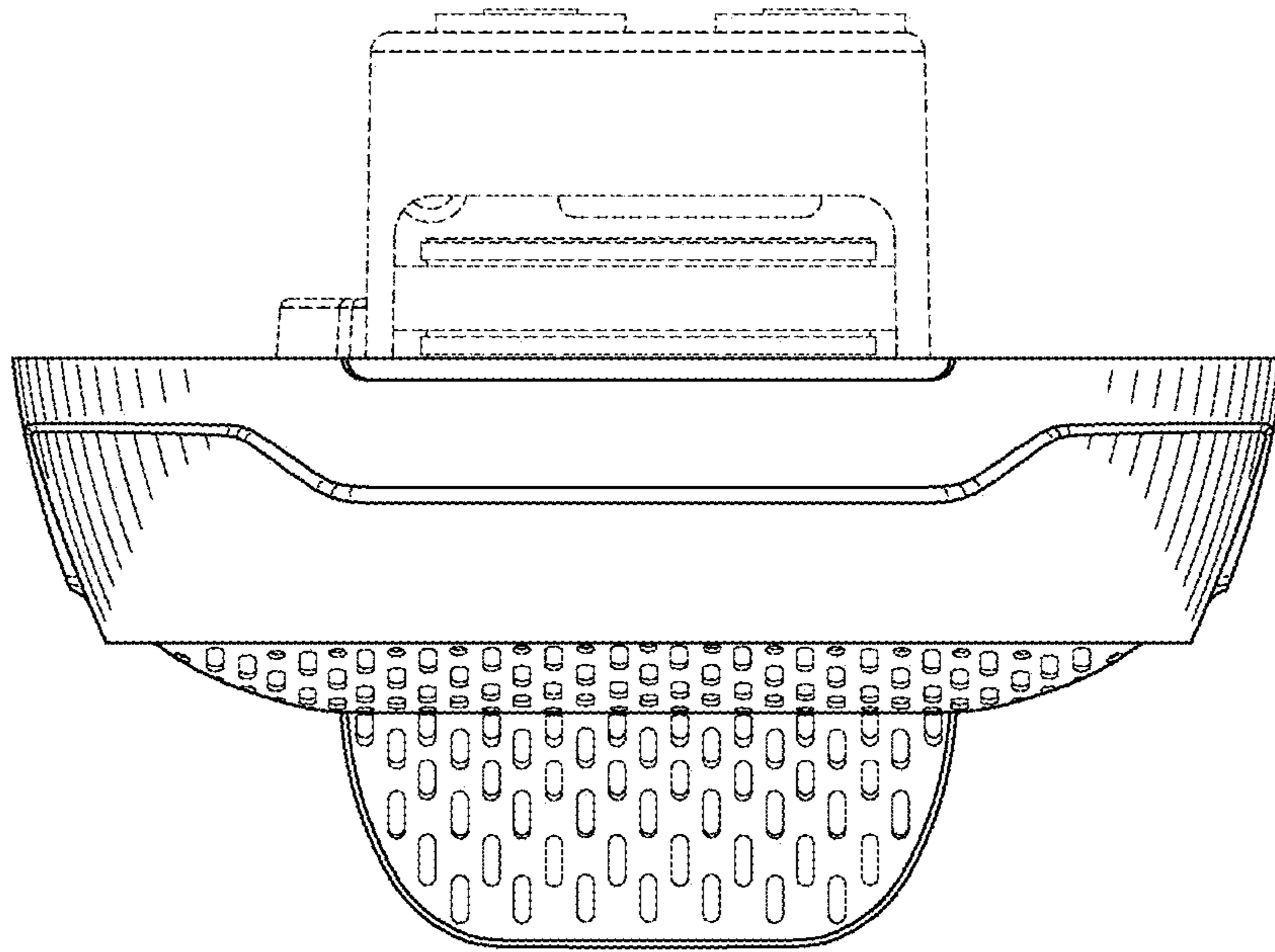


FIG. 5

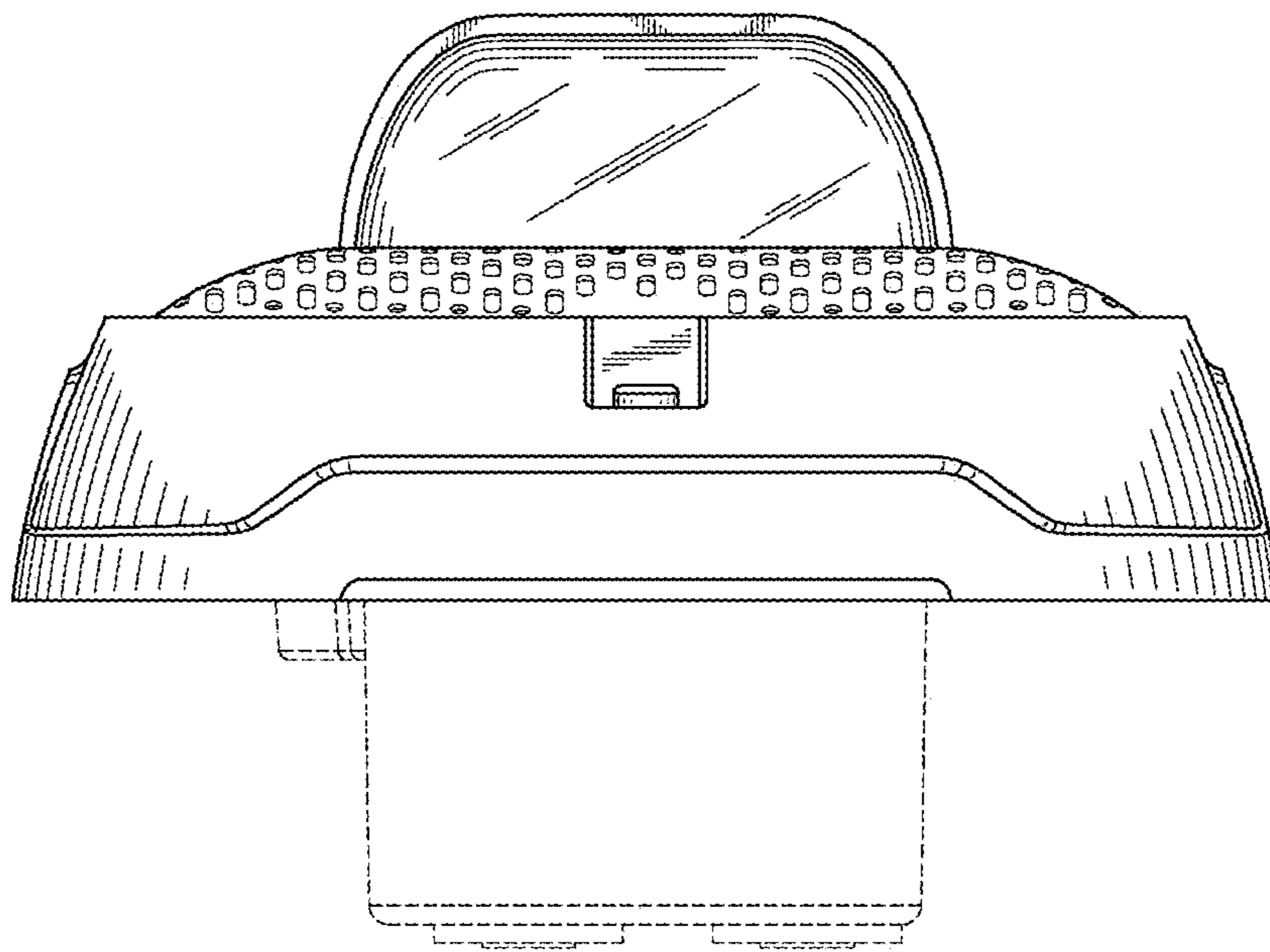


FIG. 6