



US00D896670S

(12) **United States Design Patent** (10) **Patent No.:** **US D896,670 S**
Chapman et al. (45) **Date of Patent:** **** Sep. 22, 2020**

(54) **SENSOR HOUSING** 1/00-1/26; G01P 15/00-18; G06F 3/0482;
G06F 2203/04801; G06F 19/3481;
(71) Applicant: **Topcon Positioning Systems, Inc.,** (Continued)
Livermore, CA (US)

(72) Inventors: **Angus Chapman**, Brisbane (AU);
Reilly Edwards, Brisbane (AU); **Craig**
Roughan, Brisbane (AU)

(73) Assignee: **Topcon Positioning Systems, Inc.,**
Livermore, CA (US)

(**) Term: **15 Years**

(21) Appl. No.: **29/675,192**

(22) Filed: **Dec. 28, 2018**

(51) **LOC (12) Cl.** **10-04**

(52) **U.S. Cl.**
USPC **D10/65**

(58) **Field of Classification Search**
USPC D10/46, 65, 70
CPC G08G 1/096883; G08G 1/096872; G08G
1/096775; G08G 1/0969; G08G 9/00;
G08G 5/04; G08G 5/0013; G01C 21/16;
G01C 21/3664; G01C 21/26; G01C
21/3688; G01C 21/30; G01C 21/00-3697;
G01C 22/00-025; G01C 23/00-005;
G01V 8/20; G01J 5/02; G01J 5/023;
G01J 5/24; G01J 5/10; G01J 5/20; G01J
5/0235; G01J 5/08; G01J 5/0853; G01J
5/33; G01J 5/34; G01J 5/0022; G01J
5/22; G01J 5/0295; G01J 5/12; G01J
2005/068; G01J 2005/345; G01N
21/3504; G01N 21/35; G01S 3/043; G01S
15/04; G01S 5/025; G01S 1/08; G01S
13/74; G01S 19/42; G01S 13/79; G01S
13/9303; G01S 13/781; G01S 13/782;
G08B 13/1645; G08B 13/19; G08B
13/193; G08B 17/12; G08B 13/00-13/26;
G08B 29/00-28; Y10S 250/01; H01L
37/00; H01L 37/02; H01L 69/08; H04N
5/33; G01P 3/50; G01P 15/18; G01P

(56) **References Cited**

U.S. PATENT DOCUMENTS

4,315,594 A 2/1982 Niederöst
D316,713 S 5/1991 Sun
(Continued)

FOREIGN PATENT DOCUMENTS

EP 0014251 A1 8/1980
EP 2840559 A1 2/2015
EP 3270117 A1 1/2018

OTHER PUBLICATIONS

Notice of Allowance (PTOL-85) dated Feb. 5, 2020, in connection
with U.S. Appl. No. 29/675,183, filed Dec. 28, 2018, 9 pgs.
(Continued)

Primary Examiner — Antoine Duval Davis
(74) *Attorney, Agent, or Firm* — Chiesa Shahinian &
Giantomasi PC

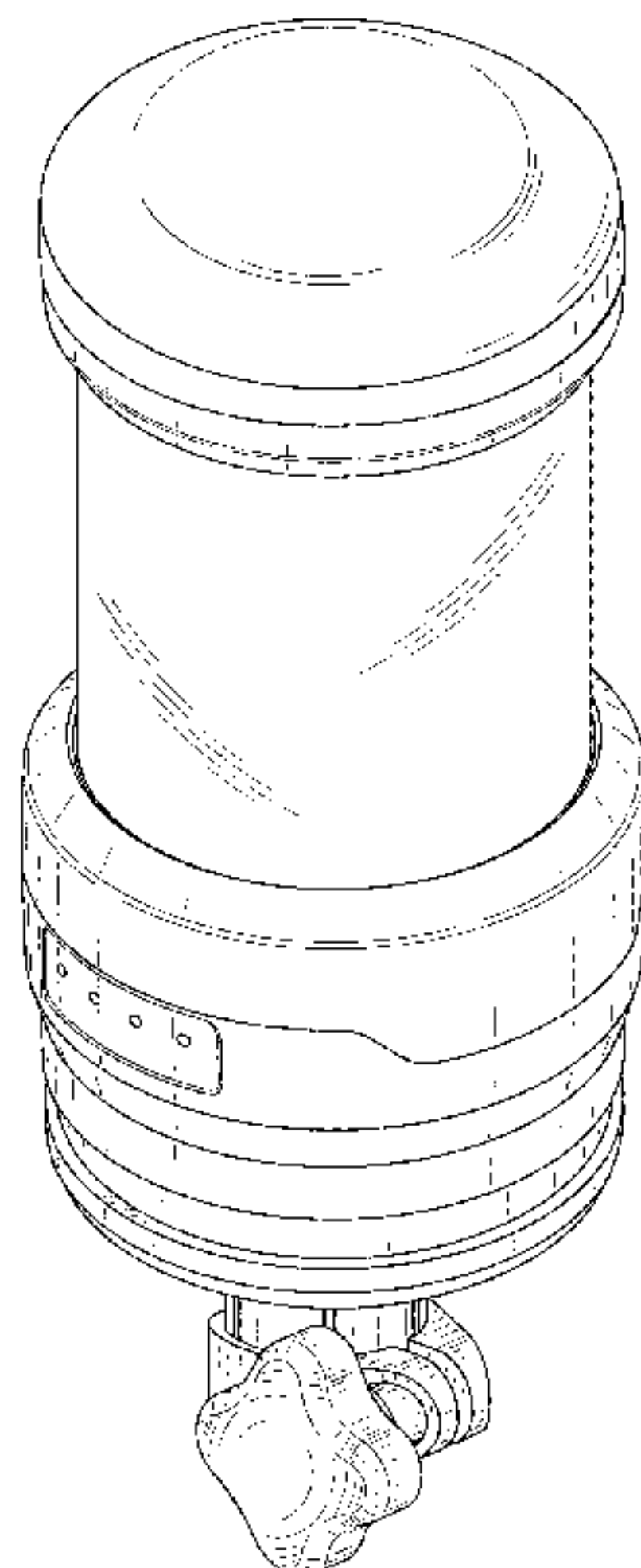
(57) **CLAIM**

The ornamental design for a sensor housing, as shown and
described.

DESCRIPTION

FIG. 1 is a rear perspective view of a sensor housing
according to our design;
FIG. 2 is a front view thereof;
FIG. 3 is a rear view thereof;
FIG. 4 is a left side view thereof;
FIG. 5 is a right side view thereof;
FIG. 6 is a top view thereof; and,
FIG. 7 is a bottom view thereof.

(Continued)



The broken lines shown in the drawings depict environment that forms no part of the claimed design.

1 Claim, 6 Drawing Sheets

(58) **Field of Classification Search**

CPC G06F 3/00-027; F21S 8/033; F21V 17/02;
F21V 23/0442; F21V 21/30; F21W
2131/10; B64D 45/00; B64D 25/00;
H04B 1/59; H04Q 11/00

See application file for complete search history.

(56) **References Cited**

U.S. PATENT DOCUMENTS

D363,930	S	11/1995	Bailey et al.	
6,598,835	B2	7/2003	Minnick	
7,114,388	B1	10/2006	French et al.	
D568,183	S *	5/2008	Ishii	D10/65
D594,399	S	6/2009	Johnson	
D598,480	S	8/2009	Kanemitsu	
D623,500	S	9/2010	Langner et al.	
D661,980	S	6/2012	Rocquet	
D673,029	S	12/2012	Apesteguia et al.	
D695,591	S	12/2013	Ackerman et al.	
D697,438	S *	1/2014	Rector, III	D10/65
D716,640	S	11/2014	Martinson	
D732,926	S	6/2015	Booth et al.	
D744,316	S	12/2015	Nook et al.	
D745,369	S	12/2015	Tungesvick	
D755,705	S	5/2016	Shin	
D757,520	S	5/2016	Pratt	
9,354,158	B1	5/2016	Van Dijk et al.	
D766,069	S	9/2016	Miller	

D767,218	S	9/2016	Hickling	
D772,737	S *	11/2016	Robinson	D10/65
D779,921	S	2/2017	Del Rossa	
D779,922	S	2/2017	Del Rossa	
D801,834	S *	11/2017	Briheim	D10/65
D803,908	S	11/2017	Yamaguchi et al.	
D822,081	S	7/2018	Yamaguchi et al.	
D831,467	S	10/2018	Crichton et al.	
D834,922	S	12/2018	Russo	
D838,581	S	1/2019	Huang et al.	
D859,968	S	9/2019	West	
D860,765	S	9/2019	Tsay	
D863,936	S	10/2019	Pratt et al.	
D871,894	S	1/2020	Brett	
2003/0056868	A1	3/2003	Gentry	
2003/0137658	A1	7/2003	Ohtomo et al.	
2016/0180999	A1	6/2016	Rattner et al.	
2018/0017414	A1	1/2018	Binder et al.	

OTHER PUBLICATIONS

Notice of Allowance (PTOL-85) dated Feb. 6, 2020, in connection with U.S. Appl. No. 29/675,179, filed Dec. 28, 2018, 9 pgs.
Topcon Positioning Systems, Inc., "Z-Stack Vibration Mount Assembly," Technical Data Sheet, Feb. 2020, P/N: 1037639-01 Rev. A, 2 pgs.
Topcon Positioning Systems, Inc., "PZS-i3 Positioning Zone Sensor," Technical Data Sheet, Feb. 2020, P/N: 1037637-01 Rev. A, 2 pgs.
Non-Final Office Action dated Mar. 6, 2020, in connection with U.S. Appl. No. 16/235,622, filed Dec. 28, 2018, 16 pgs.
International Search Report dated Mar. 16, 2020, in connection with International Patent Application No. PCT/US2019/062319, filed Nov. 20, 2019, 18 pgs.

* cited by examiner

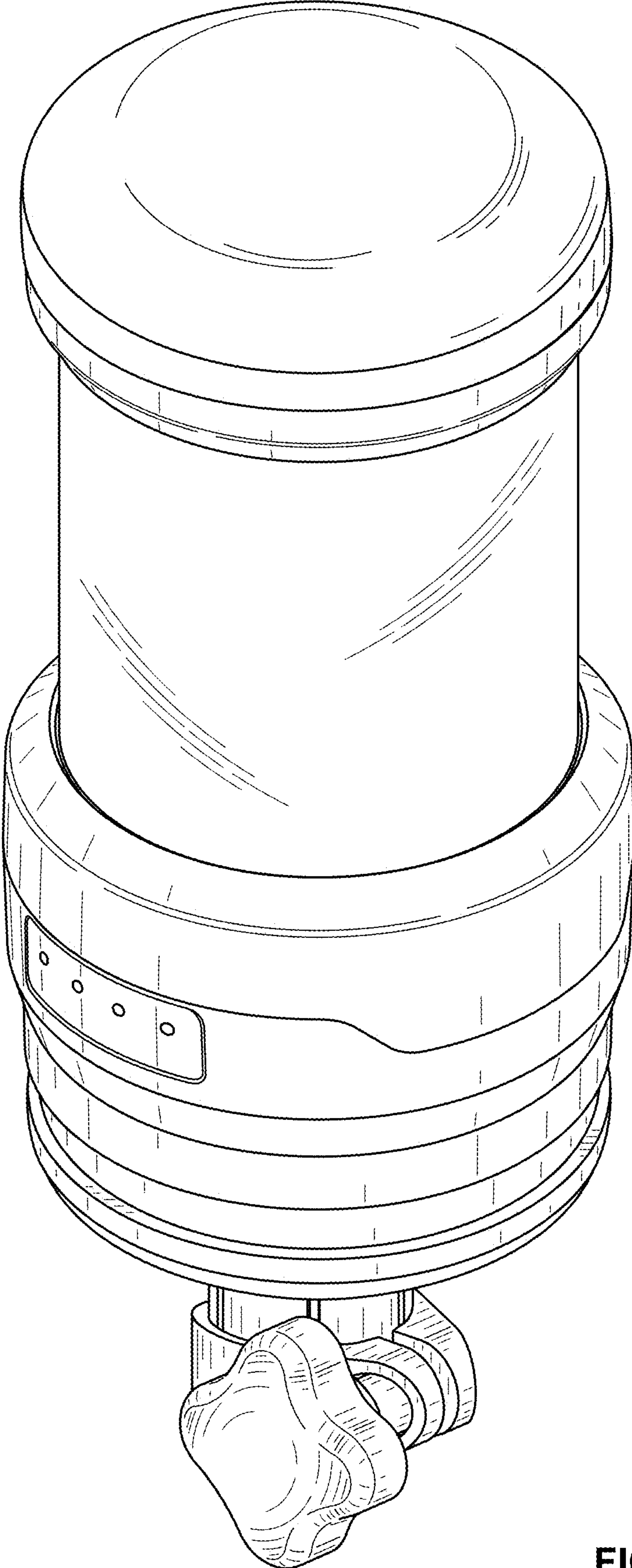


FIG. 1

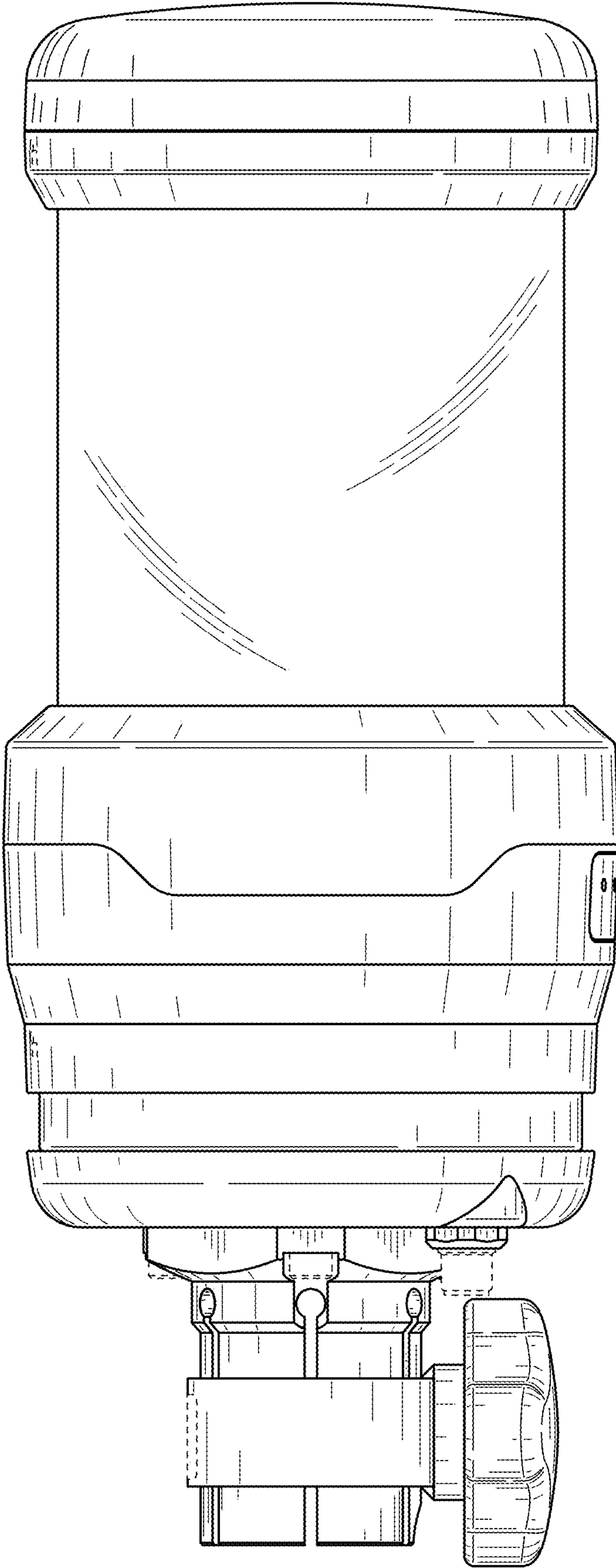


FIG. 2

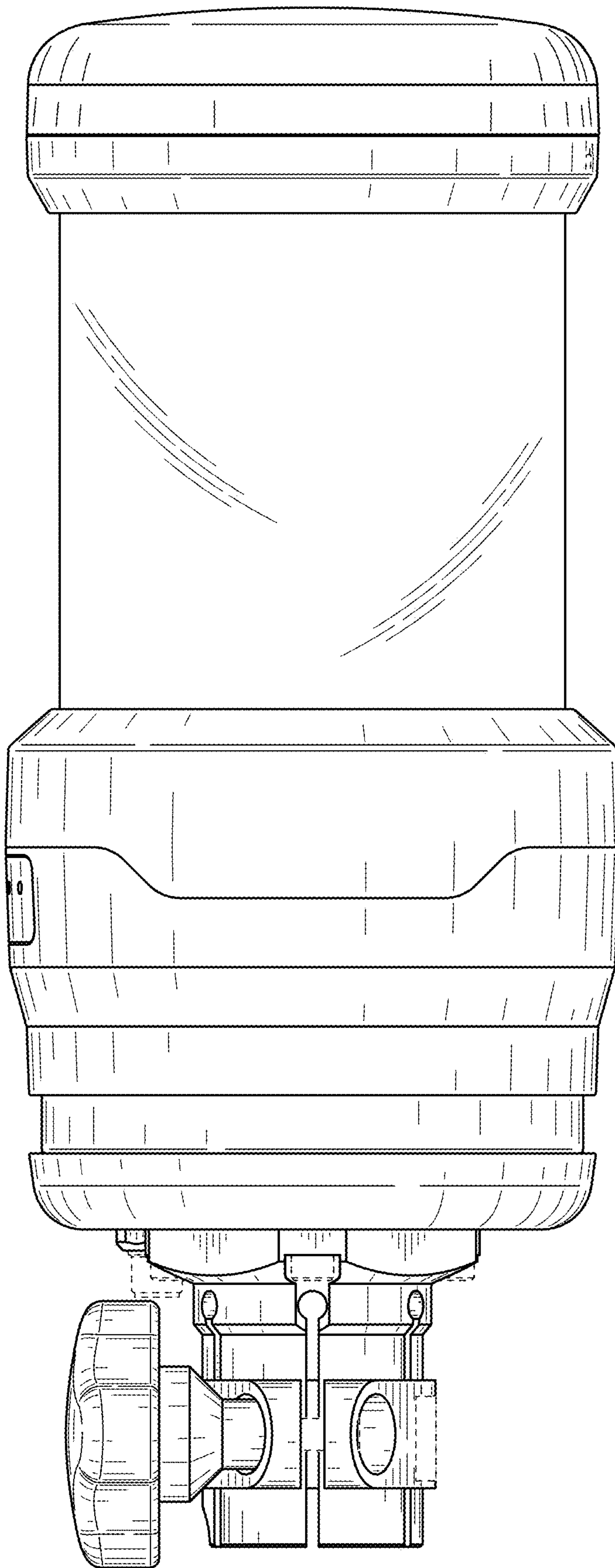


FIG. 3

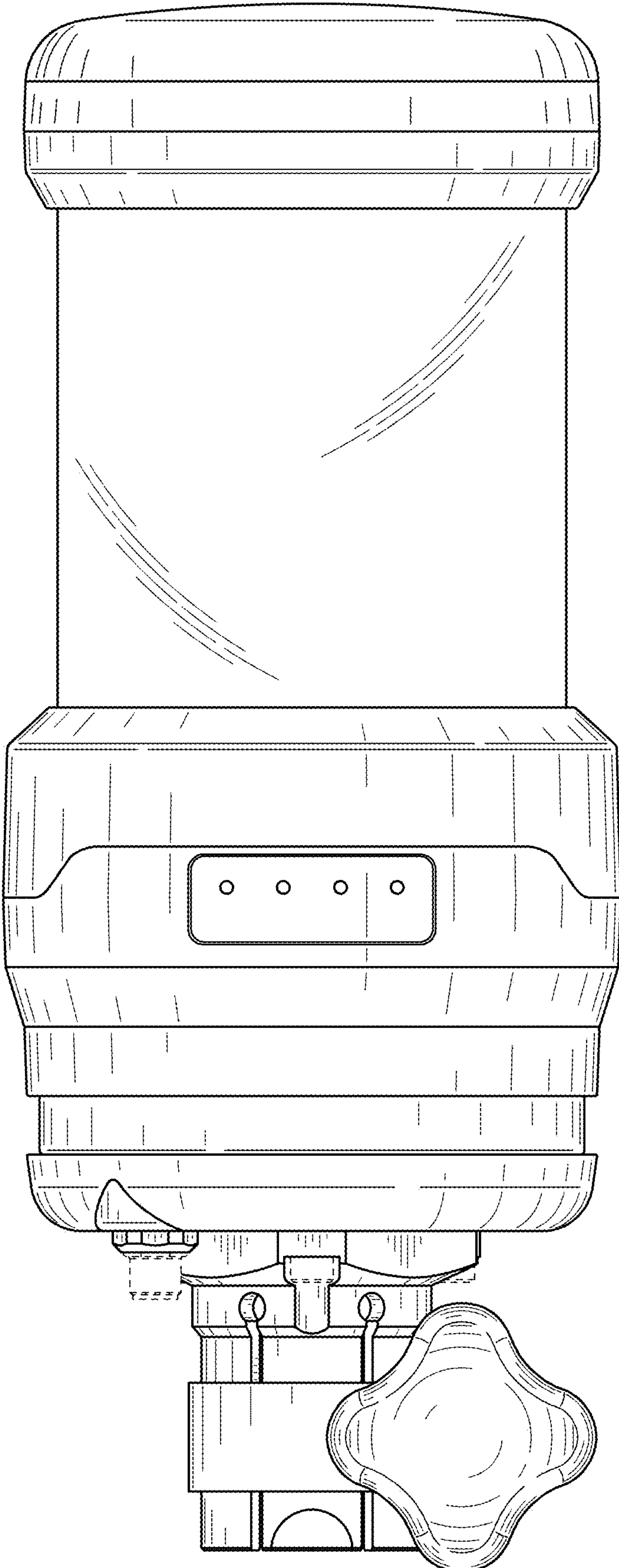


FIG. 4

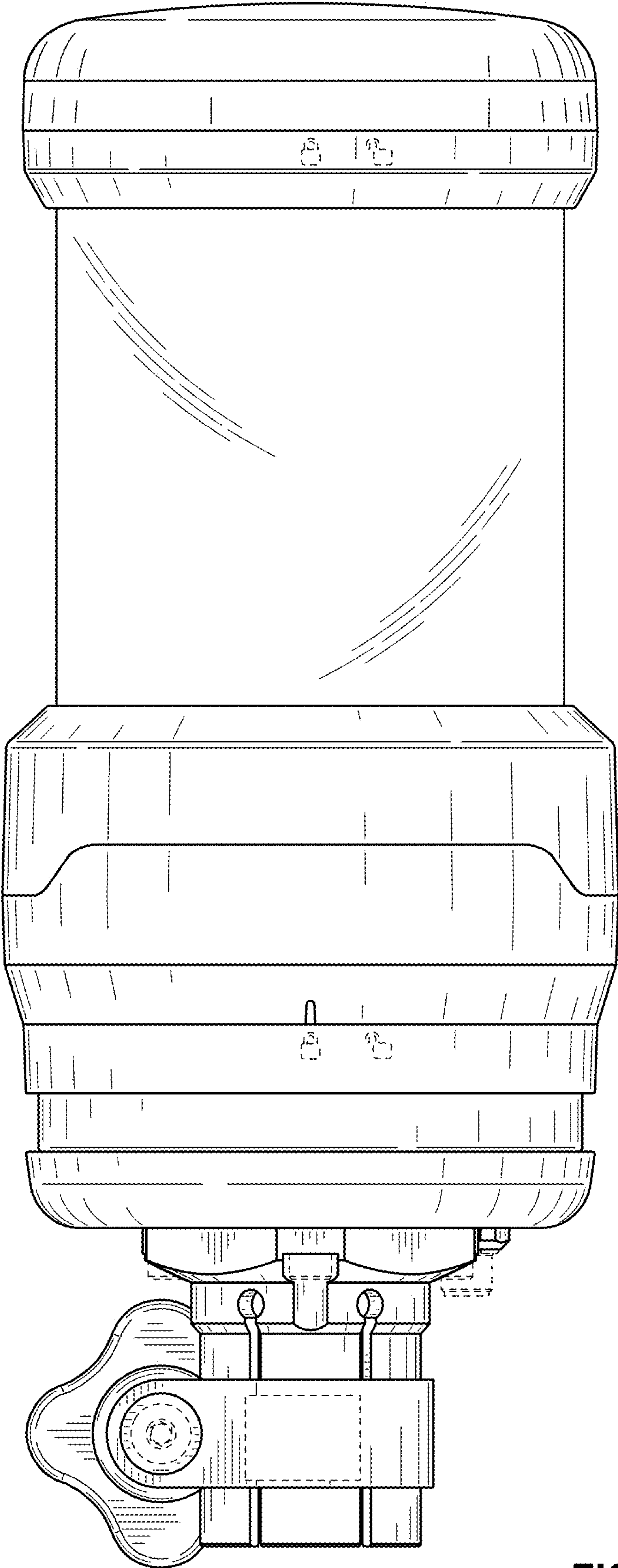


FIG. 5

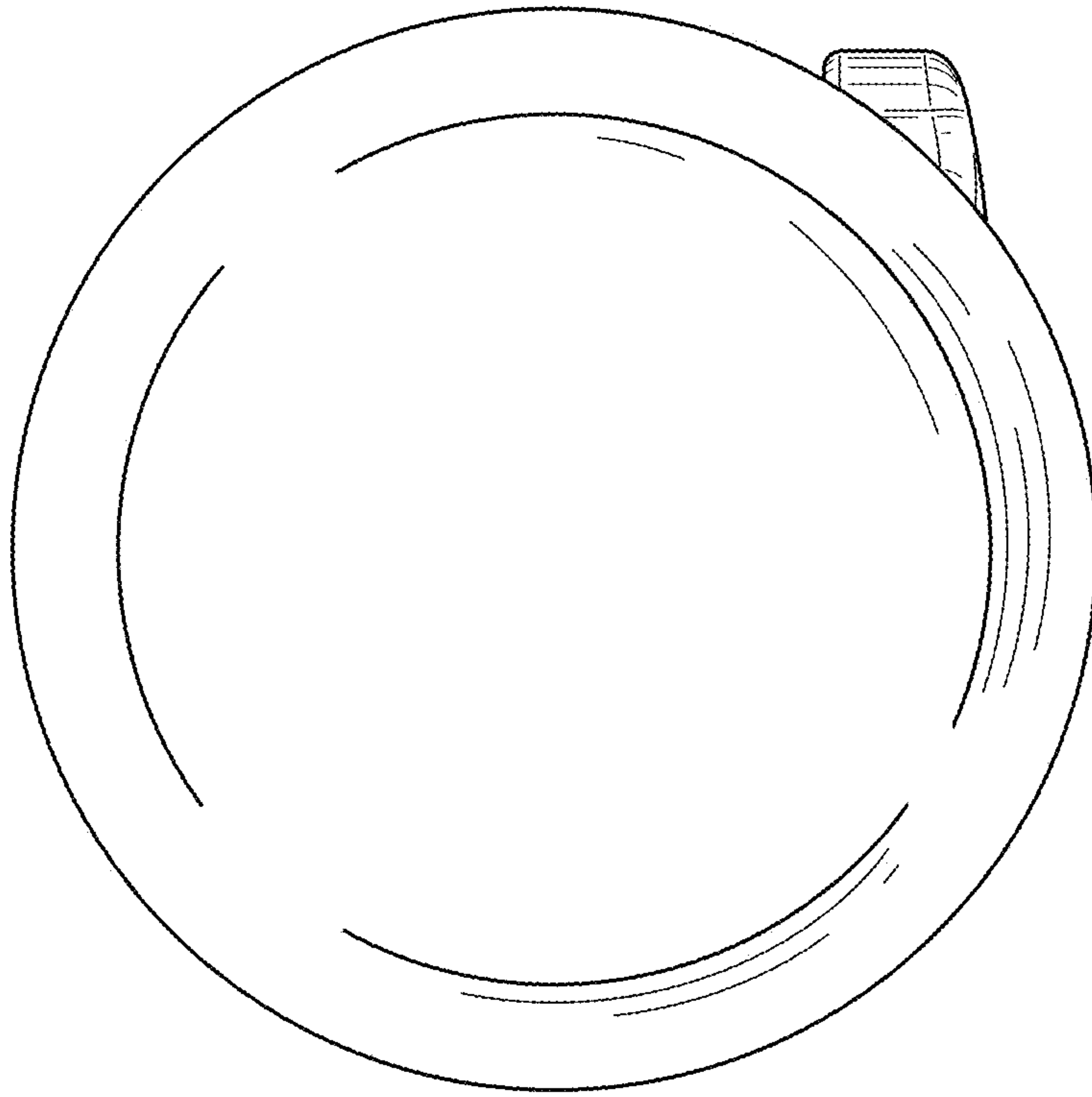


FIG. 6

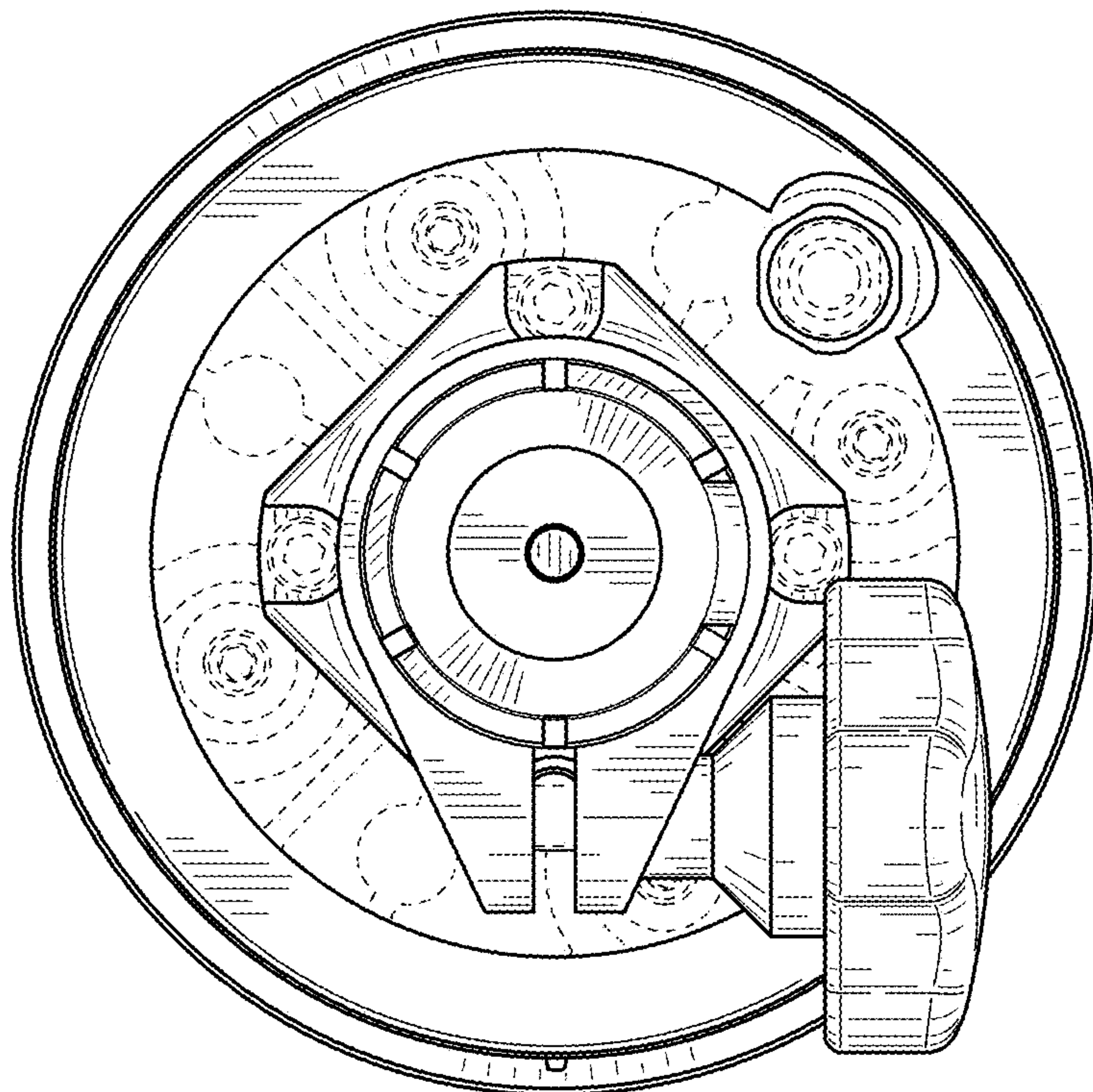


FIG. 7