

US00D896655S

(12) **United States Design Patent**
Hudson et al.

(10) **Patent No.:** **US D896,655 S**

(45) **Date of Patent:** **** Sep. 22, 2020**

(54) **STORAGE CONTAINER**

FOREIGN PATENT DOCUMENTS

(71) Applicant: **SWIMC, LLC**, Cleveland, OH (US)

EP 0 162 727 A2 11/1985

(72) Inventors: **Richard D. Hudson**, North Olmsted, OH (US); **James J. Johnson**, Lake Milton, OH (US); **Gustavo A. Morales**, Brunswick, OH (US)

OTHER PUBLICATIONS

Machin, Alec, Decorate Paints—Alec Machin Design, company website, <<http://www.alecmachindesigns.com/decorate-paints/>>, UK, accessed Mar. 23, 2016.

(73) Assignee: **SWIMC LLC**, Cleveland, OH (US)

(Continued)

(**) Term: **15 Years**

Primary Examiner — Cathron C Brooks

Assistant Examiner — Christian P. McLean

(21) Appl. No.: **29/674,049**

(74) *Attorney, Agent, or Firm* — Tucker Ellis LLP

(22) Filed: **Dec. 19, 2018**

(57) **CLAIM**

The ornamental design for a storage container, as shown and described.

Related U.S. Application Data

DESCRIPTION

(63) Continuation of application No. 29/639,523, filed on Mar. 7, 2018, now Pat. No. Des. 840,238, which is a
(Continued)

FIG. 1 is a perspective view of a storage container showing our new design;

(51) **LOC (12) Cl.** **09-01**

FIG. 2 is a bottom perspective view of the storage container illustrated in FIG. 1;

(52) **U.S. Cl.**

USPC **D9/559**

FIG. 3 is left side view of the storage container illustrated in FIG. 1;

(58) **Field of Classification Search**

USPC D7/300–322, 391–396.2, 509–511, 523, D7/589, 598, 612, 615, 619.1; D9/435, D9/436, 439, 440, 443, 447, 454, 500, D9/503–505, 516–575, 763–783; 215/40–55, 316–354, 370–385; 220/574–575

FIG. 4 is a front view of the storage container illustrated in FIG. 1;

FIG. 5 is a right side view of the storage container illustrated in FIG. 1;

FIG. 6 is a rear view of the storage container illustrated in FIG. 1;

FIG. 7 is a top view of the storage container illustrated in FIG. 1; and,

FIG. 8 is a bottom view of the storage container illustrated in FIG. 1.

(Continued)

(56) **References Cited**

The evenly-dashed broken lines illustrate portions of the storage container that form no part of the claimed design.

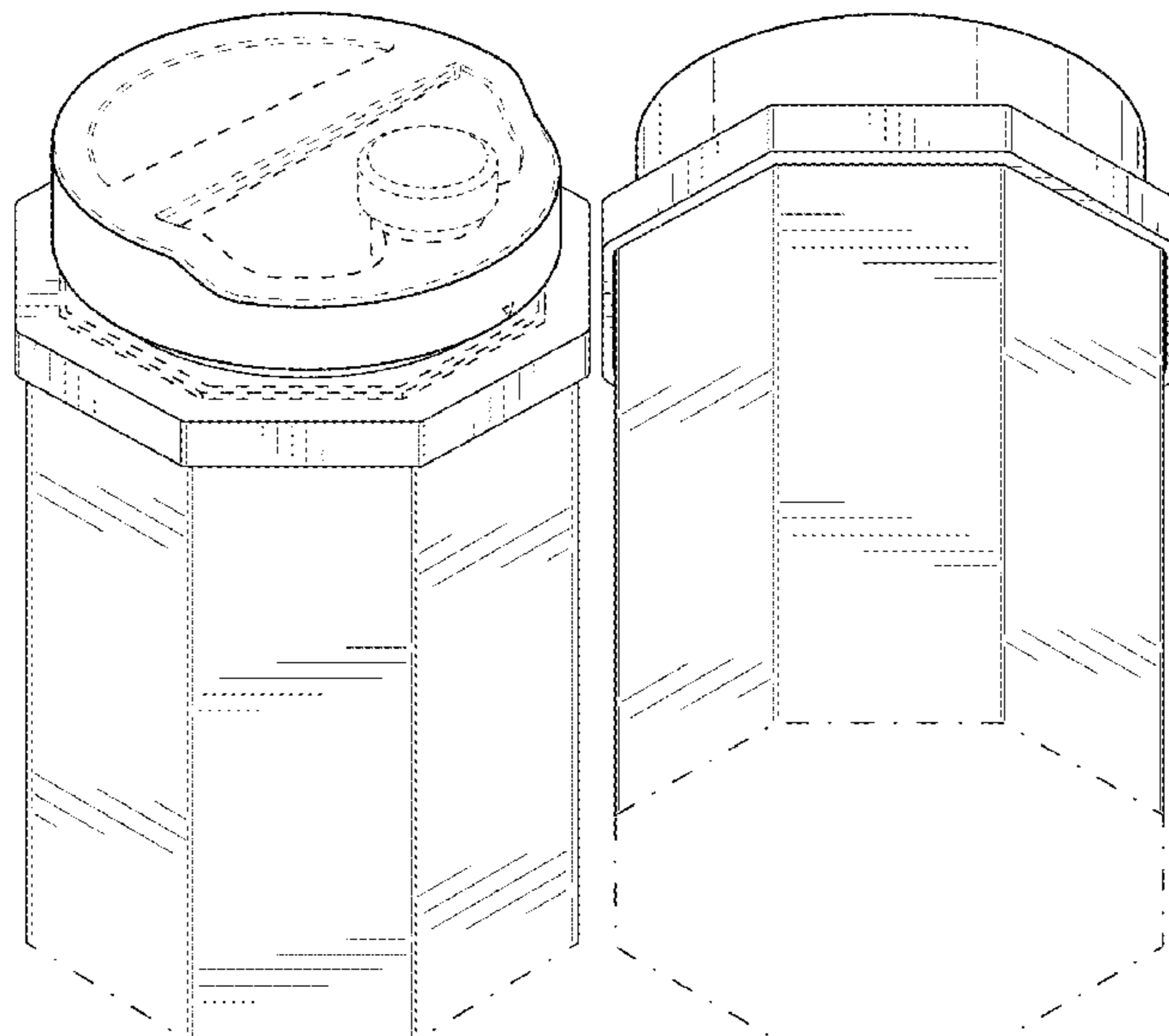
The dash-dot broken lines illustrate the boundary of the design and form no part of the claimed design.

U.S. PATENT DOCUMENTS

D4,755 S 4/1871 Kirchner
D12,422 S 8/1881 Brundige

(Continued)

1 Claim, 4 Drawing Sheets



Related U.S. Application Data

continuation-in-part of application No. 29/580,170, filed on Oct. 6, 2016, now Pat. No. Des. 863,055, and a continuation-in-part of application No. 29/558,788, filed on Mar. 21, 2016, now abandoned.

(58) **Field of Classification Search**

CPC B65D 1/00; B65D 1/02; B65D 1/0223; B65D 1/023; B65D 1/0276

See application file for complete search history.

(56)

References Cited

U.S. PATENT DOCUMENTS

D49,076 S * 5/1916 Smith D9/546
 D71,563 S 11/1926 Rebel
 D73,368 S 8/1927 Cavanaugh
 2,019,787 A 11/1935 Leopold
 D125,920 S 1/1941 Lundy
 2,713,938 A 4/1950 Snyder
 D182,950 S 6/1958 Dupree
 D202,222 S * 9/1965 Heintze D9/546
 3,204,849 A 9/1965 Vinney
 D206,306 S 11/1966 Helms
 D254,714 S 4/1980 Mascia
 4,205,775 A 6/1980 Swan
 D268,385 S 3/1983 Sinopoli
 D285,537 S * 9/1986 Parker D9/546
 4,623,063 A 11/1986 Balkin
 D288,783 S 3/1987 Harris
 4,832,220 A 5/1989 Quenessen
 D302,873 S 8/1989 Sayn Wittgenstein
 D303,337 S 9/1989 Holma
 D306,399 S 3/1990 Rumney
 D324,496 S 3/1992 Poandi
 D328,168 S 7/1992 Bartle
 D328,706 S 8/1992 Ruff
 D334,805 S 4/1993 Ivey
 D385,186 S 10/1997 Fildan
 D393,999 S 5/1998 Gruenbacher et al.
 5,749,489 A 5/1998 Benner
 5,775,571 A 7/1998 Edelman
 D411,079 S * 6/1999 Graham D7/624.2
 D432,868 S 10/2000 Tan
 6,161,696 A 12/2000 Lashley
 D444,203 S 6/2001 Leclair
 D446,729 S 8/2001 Renella
 D447,941 S 9/2001 Quensel
 D457,013 S * 5/2002 Blair D6/678
 6,415,927 B1 7/2002 Stone
 6,446,859 B1 * 9/2002 Holladay B65D 5/10
 229/109
 D465,726 S 11/2002 Tet
 D474,682 S 5/2003 Berman
 D474,683 S 5/2003 Berman
 D489,605 S 5/2004 Berman
 D489,939 S 5/2004 Allanson
 D490,310 S 5/2004 Aggenberg
 D495,598 S * 9/2004 Smith D9/430
 D517,185 S 3/2006 Chen
 D523,755 S 6/2006 Considine
 D525,532 S 7/2006 Glass
 D529,391 S 10/2006 Glass
 D532,703 S 11/2006 Wild
 D541,107 S 4/2007 Mansfield
 D563,797 S 3/2008 McMorris
 D578,829 S 10/2008 Freeman
 D582,266 S * 12/2008 Helms, Jr. D9/430
 D583,247 S 12/2008 Defina
 D583,255 S 12/2008 Castor
 D585,763 S 2/2009 Friebe et al.

D592,495 S 5/2009 Reiterer
 D597,409 S 8/2009 Ruybal
 D599,676 S 9/2009 Friebe et al.
 D602,308 S 10/2009 Alviar
 D602,669 S * 10/2009 Gardner D34/7
 D640,133 S * 6/2011 Jones D9/430
 D644,515 S 9/2011 Tieleman
 D650,274 S 12/2011 Neumann
 D661,199 S 6/2012 Bennett
 D679,148 S 4/2013 Schwartz
 D686,371 S 7/2013 Moschitto
 D693,181 S 11/2013 Chase
 D702,503 S 4/2014 Steel
 D719,824 S 4/2014 Wagner
 D717,653 S * 11/2014 Chur D9/435
 D725,315 S * 3/2015 Gabriel D3/304
 9,290,310 B2 3/2016 Sinn et al.
 D756,037 S 5/2016 Schlatter
 D769,070 S 10/2016 Heimsoth
 D771,832 S 11/2016 Yeager
 D772,056 S 11/2016 O'Dowd
 D783,306 S 4/2017 Gal
 D786,668 S 5/2017 Comaglia
 D790,615 S 6/2017 Friesen
 D795,689 S * 8/2017 Shirosawa D9/421
 D805,893 S * 12/2017 Shirosawa D9/430
 D812,427 S 3/2018 Barber
 D818,213 S 5/2018 Funari
 D821,746 S 7/2018 Heyman
 D822,482 S 7/2018 Dib
 D827,323 S 9/2018 Stoffel
 D838,175 S 1/2019 Giannantonio
 D839,738 S 2/2019 Hudson
 D840,238 S * 2/2019 Hudson D9/559
 D842,105 S 3/2019 Willemstyn
 D846,197 S * 4/2019 Apodaca D28/85
 D851,495 S * 6/2019 Kataoka D9/645
 D856,608 S * 8/2019 Funari D30/160
 D862,225 S 10/2019 Horn
 D863,055 S * 10/2019 Hudson D9/430
 D864,672 S 10/2019 Callinan
 D867,153 S * 11/2019 Hammond D9/559
 2005/0067476 A1 3/2005 Hengami
 2009/0045157 A1 * 2/2009 Panchal B65D 21/0231
 215/10
 2010/0147865 A1 6/2010 Yang
 2010/0301108 A1 12/2010 Wisecarver
 2011/0111938 A1 5/2011 Smith
 2012/0111879 A1 5/2012 Jung
 2014/0110411 A1 4/2014 Saslekov
 2015/0083715 A1 3/2015 Shuert
 2015/0102041 A1 4/2015 Lee
 2017/0233160 A1 8/2017 Hudson

OTHER PUBLICATIONS

Muoio, Danielle, "Redesigning the Paint Can to Save Millions of Gallons of Paint", Bloomberg Business, Aug. 8, 2014, US <<https://www.bloomberg.com/news/articles/2014-08-08/redesigning-paint>>, accessed Mar. 23, 2016.
 "Octagon cardboard candy packaging box with clear pvc window." alibaba.com. Date not available. Accessed Jul. 18, 2018. Available online at URL: <https://www.alibaba.com/product-detail/Octagon-cardboard-candy-packaging-box-with_60750531711.html?spnn=a2700.7724857.main07.40.2fcd1433ByCIKC> (Year: N/A).
 "(4 Pack) ChefLand 6" x6" Drip Tray Black Plastic Octagonal Shape." amazon.com. First listed Jan. 27, 2013. Accessed Jul. 18, 2018. Available online at URL: <<https://www.annazon.com/ChefLand-Black-Plastic-Octagonal-Shape/dp/B00B6S6BCG>> (Year: 2013).

* cited by examiner

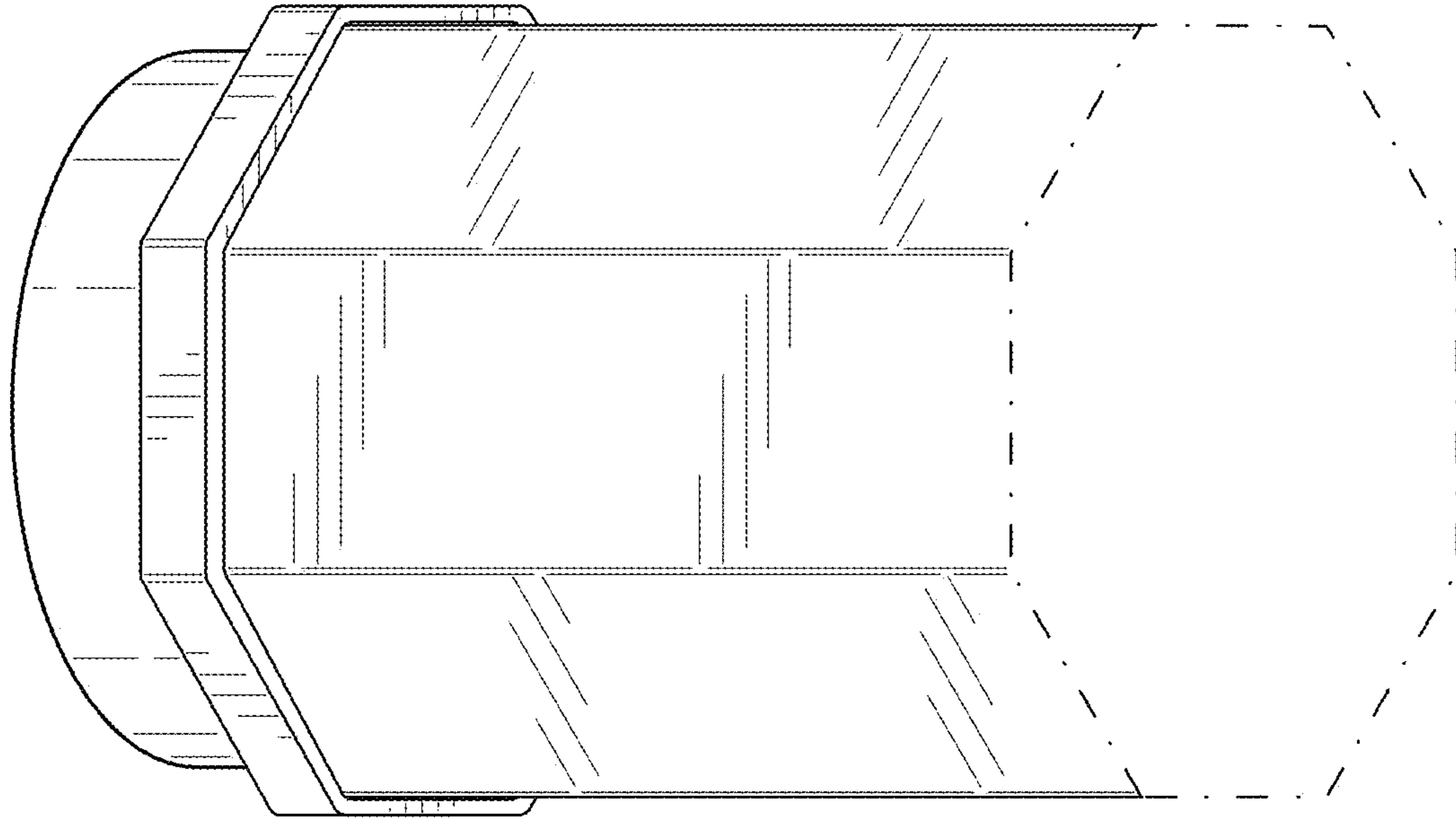


FIG. 2

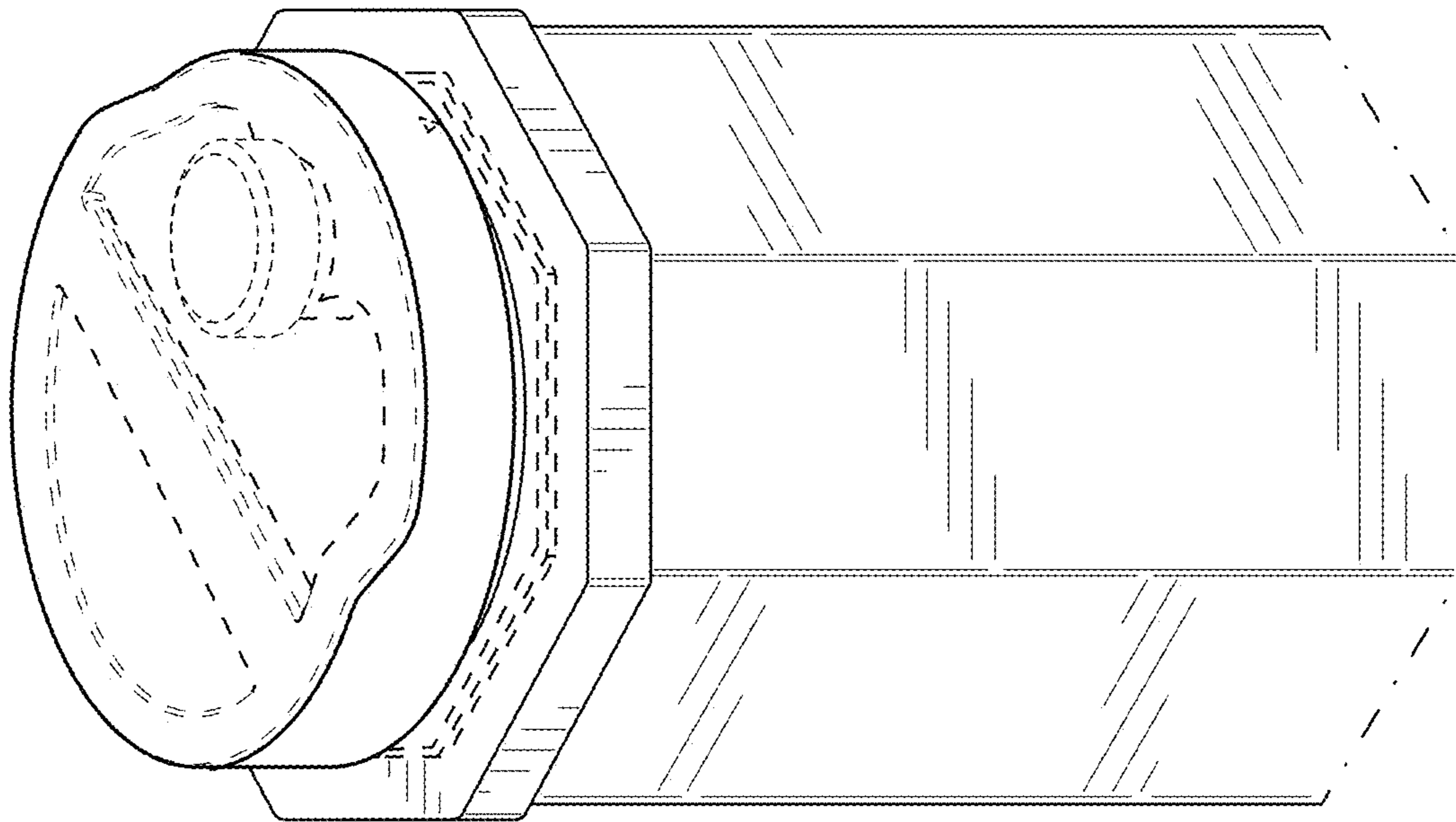


FIG. 1

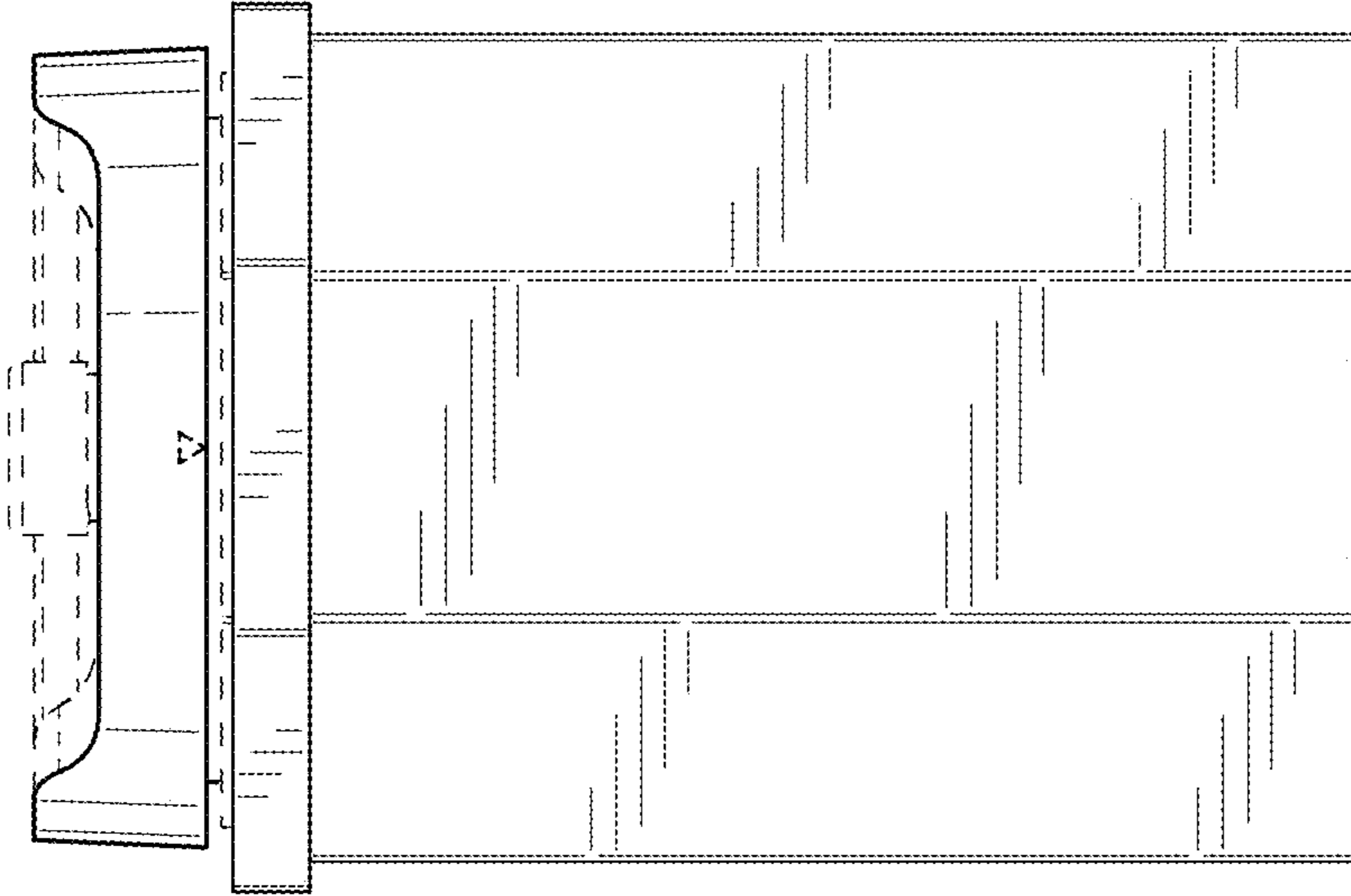


FIG. 3

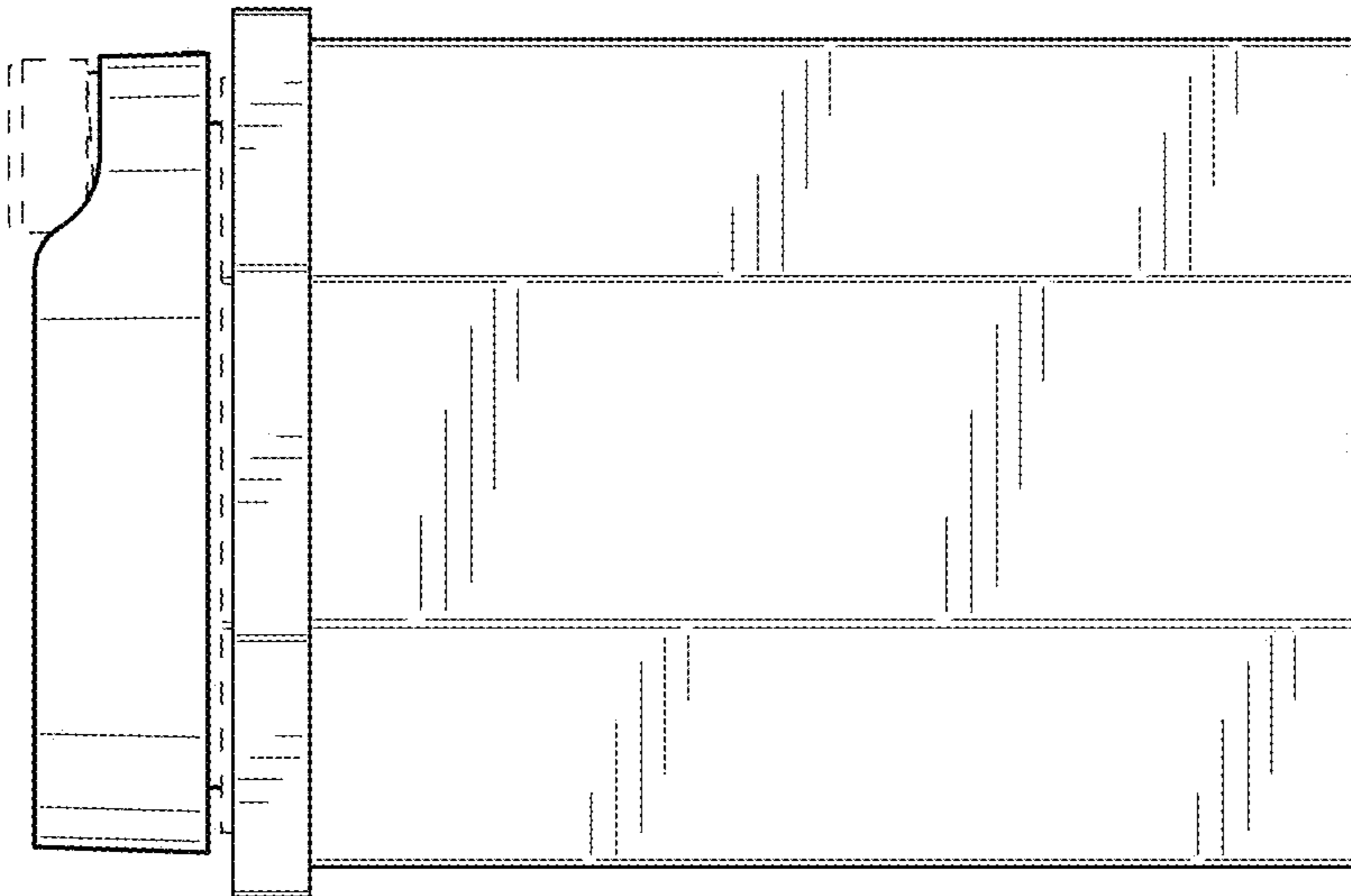


FIG. 4

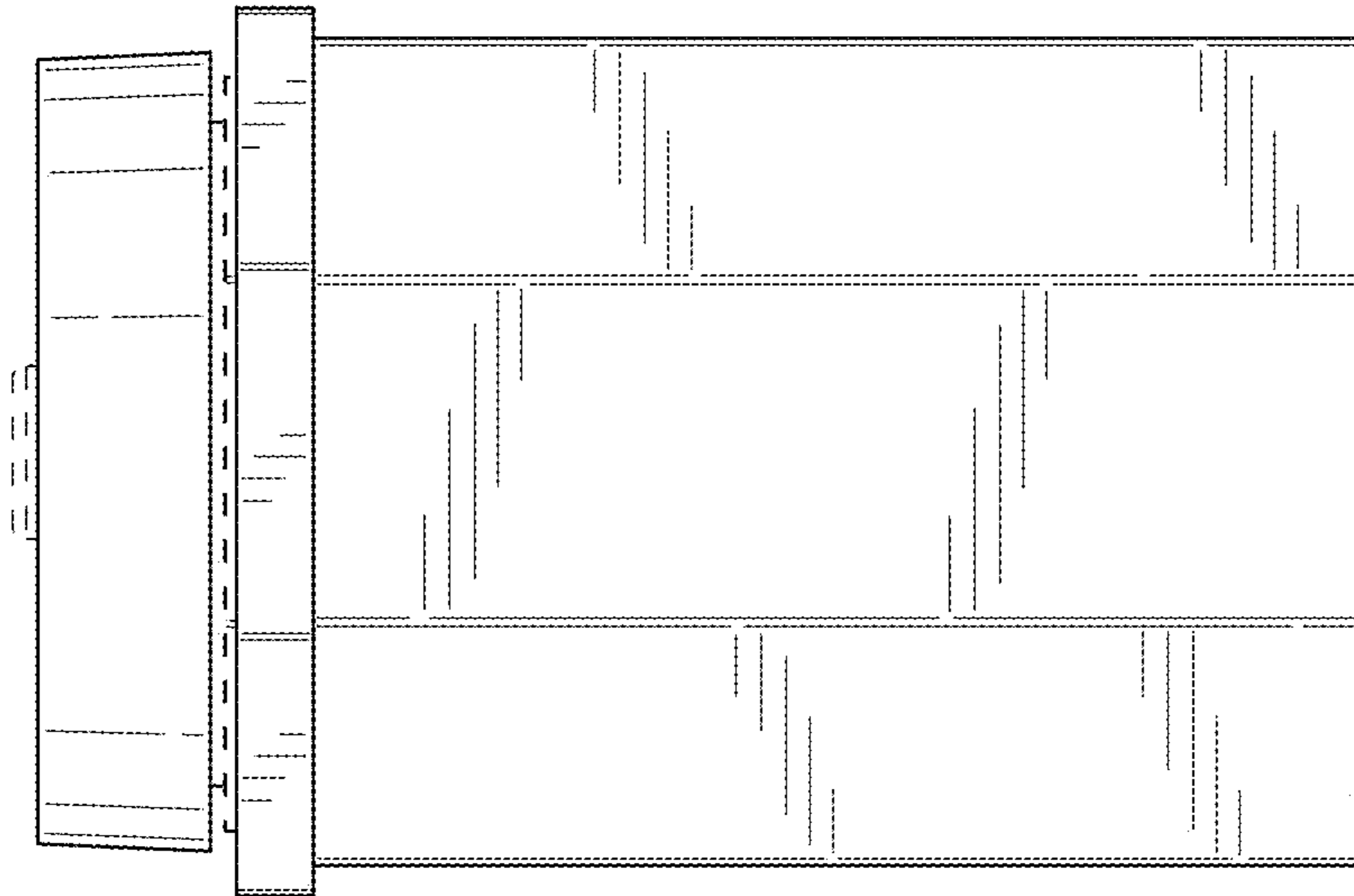


FIG. 6

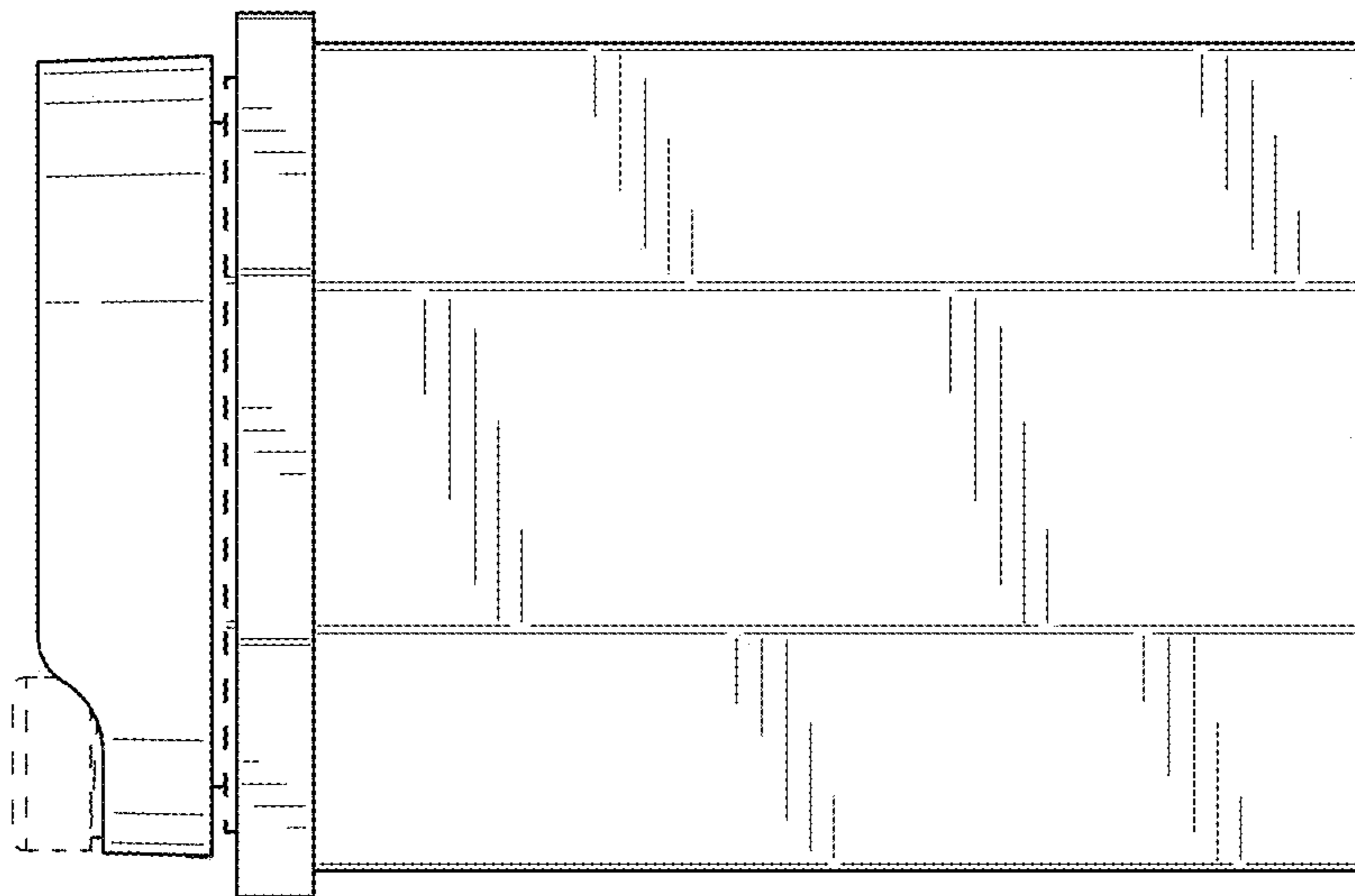


FIG. 5

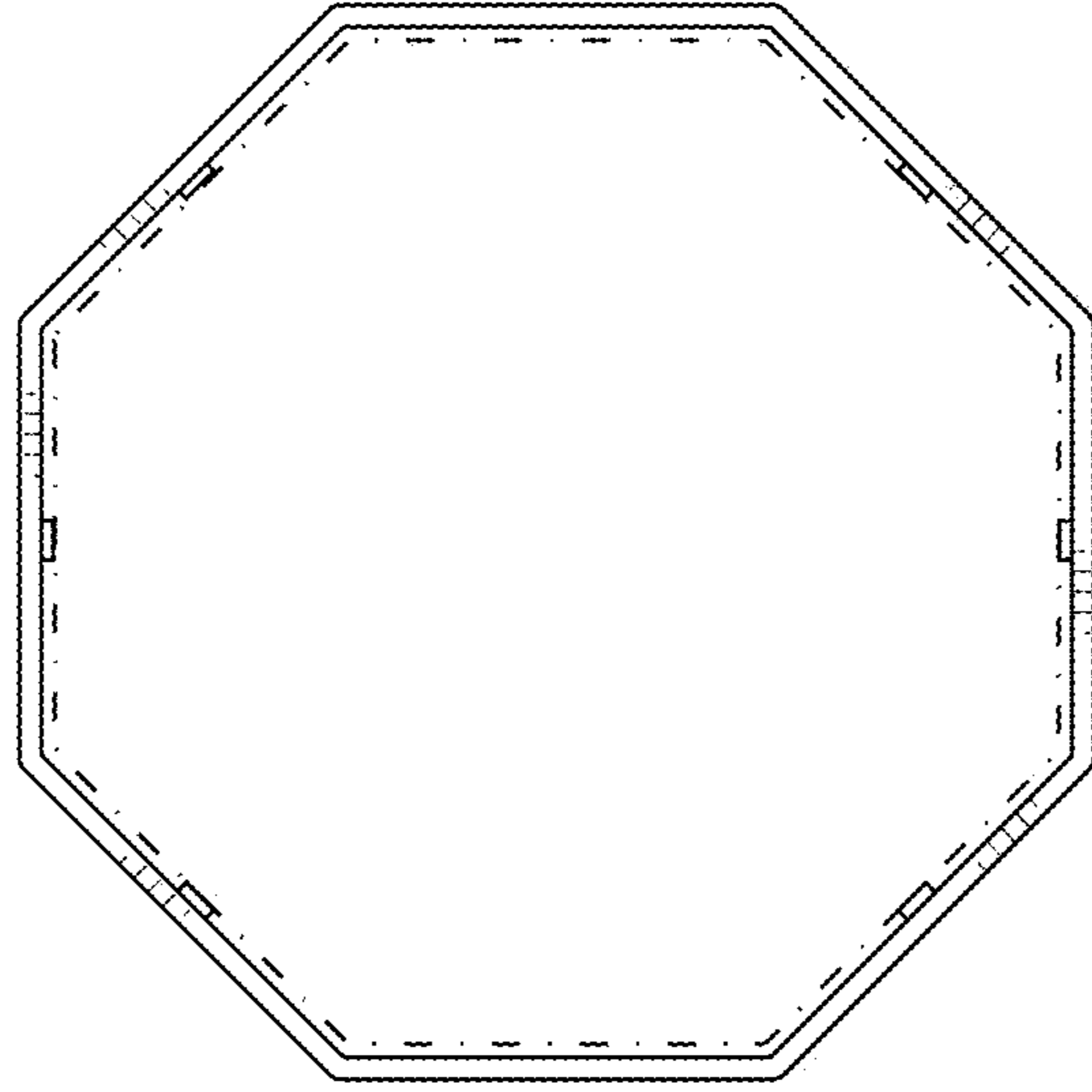


FIG. 8

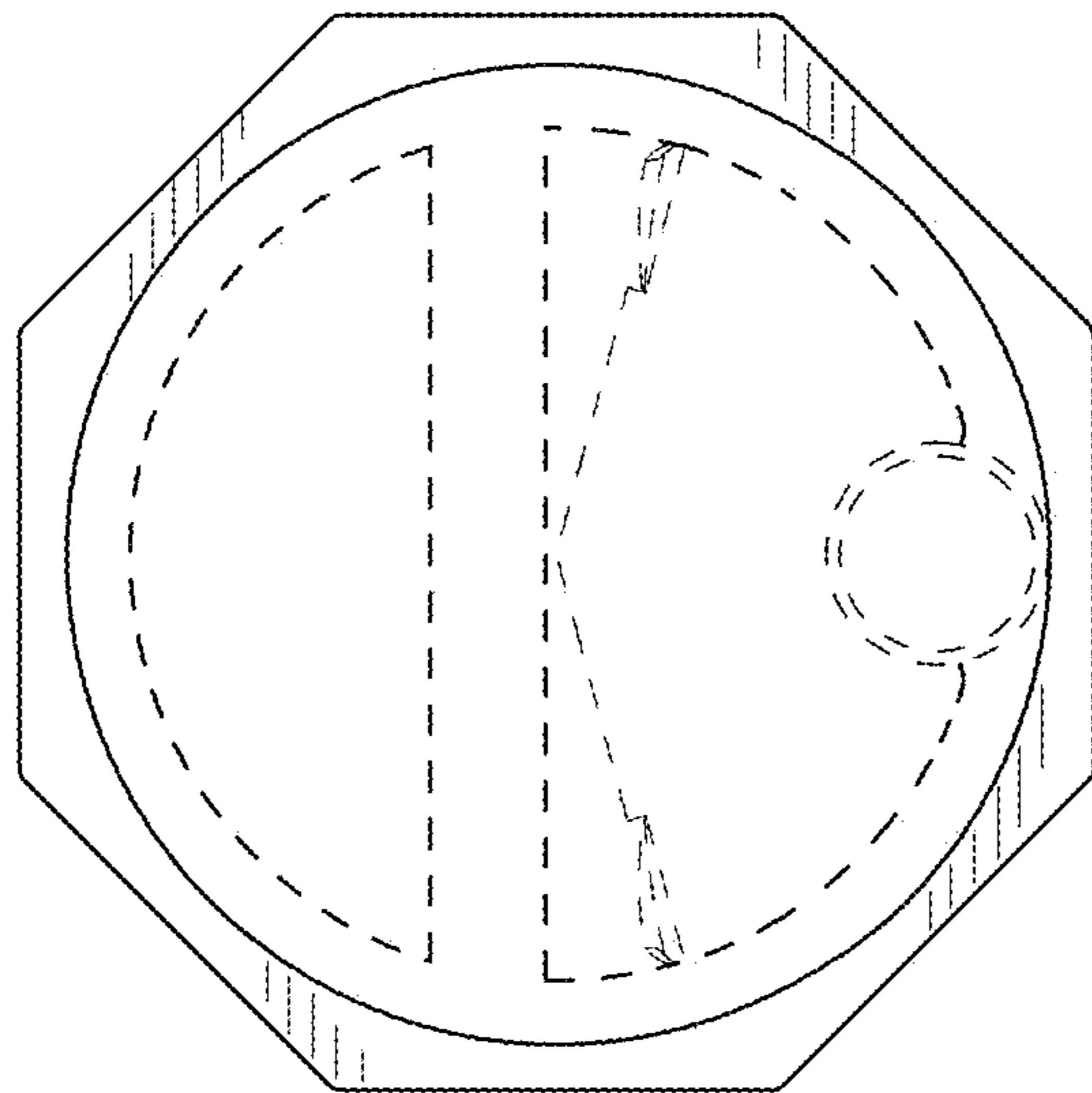


FIG. 7