



US00D896653S

(12) **United States Design Patent**  
**Loughrey et al.**

(10) **Patent No.:** **US D896,653 S**

(45) **Date of Patent:** **\*\* Sep. 22, 2020**

(54) **BOTTLE FOR 3D PRINTING LIQUIDS**

(71) Applicant: **Henkel IP & Holding GmbH**,  
Duesseldorf (DE)

(72) Inventors: **Henry (Harry) Loughrey**, Kildare (IE);  
**Niamh Murphy**, Dublin (IE)

(73) Assignee: **Henkel IP & Holding GmbH**,  
Dusseldorf (DE)

(\*\*) Term: **15 Years**

(21) Appl. No.: **29/687,692**

(22) Filed: **Apr. 15, 2019**

(51) **LOC (12) Cl.** ..... **09-01**

(52) **U.S. Cl.**  
USPC ..... **D9/528**; D9/453; D9/454; D9/563

(58) **Field of Classification Search**  
USPC ..... D9/434, 435, 453-454, 516, 520, 523,  
D9/528, 530-531, 543, 563, 571, 575,  
D9/682, 685, 715, 719; D23/211.1, 211.2  
CPC ..... B65D 1/00; B65D 1/02; B65D 1/0223;  
B65D 1/023; B65D 1/40; B65D 23/00;  
B65D 23/10; B65D 23/102; B65D 25/00;  
B65D 25/28; B65D 25/2882; B65D  
25/2888; B65D 25/2894; B65D 25/2897;  
B65D 2501/00; B65D 2501/0009; B65D  
2501/0081; B05B 11/0037

See application file for complete search history.

(56) **References Cited**

U.S. PATENT DOCUMENTS

D219,863	S	*	2/1971	Beaver	.....	D9/528
D222,607	S	*	11/1971	Weckman	.....	D9/528
D227,222	S	*	6/1973	Plumer	.....	D9/543
D247,347	S	*	2/1978	Klingaman	.....	D9/528
D303,628	S	*	9/1989	Beaver	.....	D9/523
D308,166	S	*	5/1990	Weckman	.....	D9/524
D346,962	S	*	5/1994	Steijns	.....	D9/523
D353,321	S	*	12/1994	Steijns	.....	D9/685
D422,919	S	*	4/2000	Scriven	.....	D9/523

\* cited by examiner

*Primary Examiner* — Dana Meyrow

(74) *Attorney, Agent, or Firm* — James E. Piotrowski

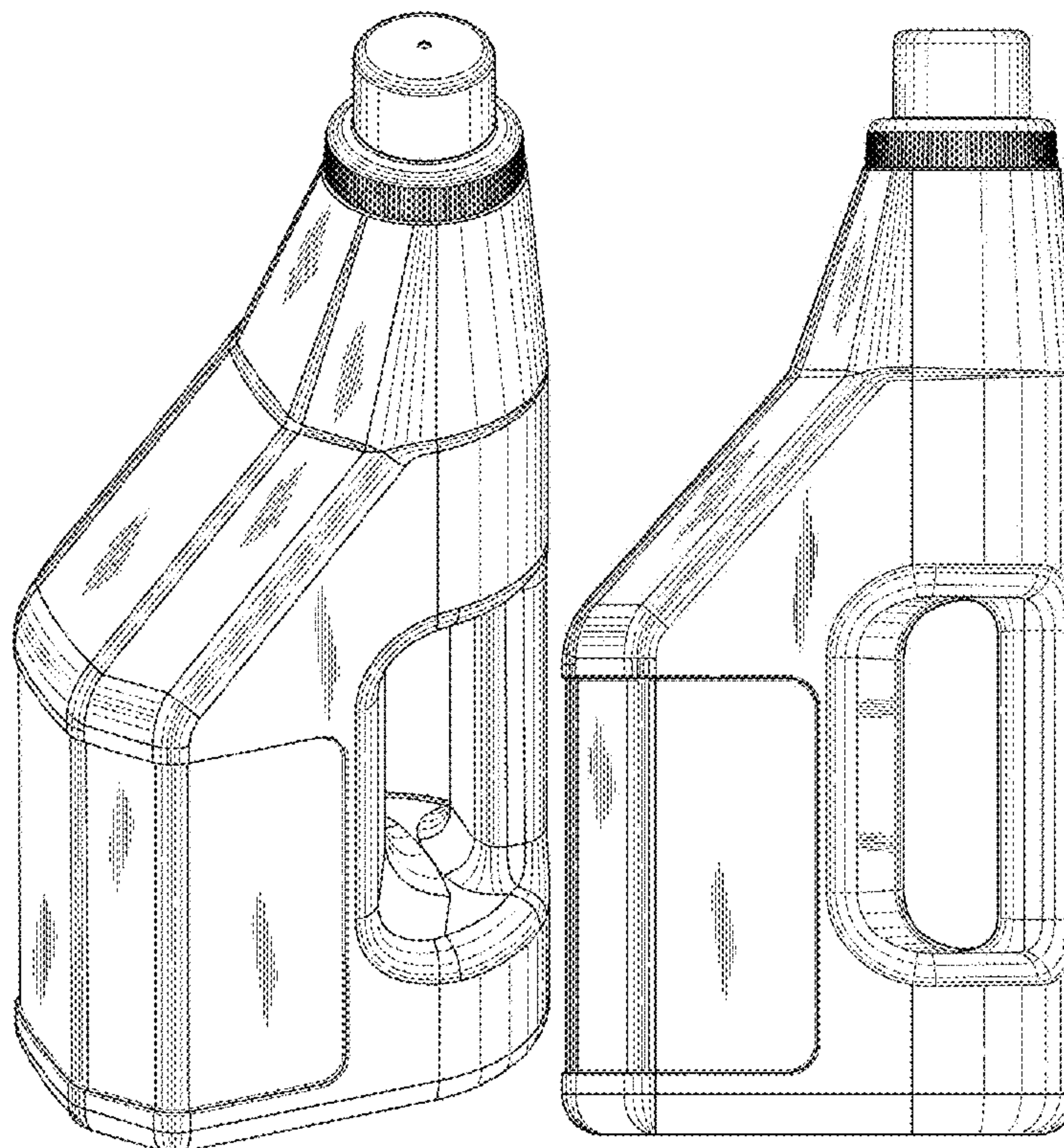
(57) **CLAIM**

The ornamental design for a bottle for 3D printing liquids,  
as shown.

**DESCRIPTION**

FIG. 1 is a perspective view of a bottle for 3D printing liquid  
showing our new design;  
FIG. 2 is a left side view thereof;  
FIG. 3 is a right side view thereof;  
FIG. 4 is a rear side view thereof;  
FIG. 5 is a front side view thereof;  
FIG. 6 is a top view thereof; and,  
FIG. 7 is a bottom view thereof.  
The broken lines in the drawings illustrate the portions of the  
bottle for 3D printing liquid that form no part of the claimed  
design.

**1 Claim, 7 Drawing Sheets**





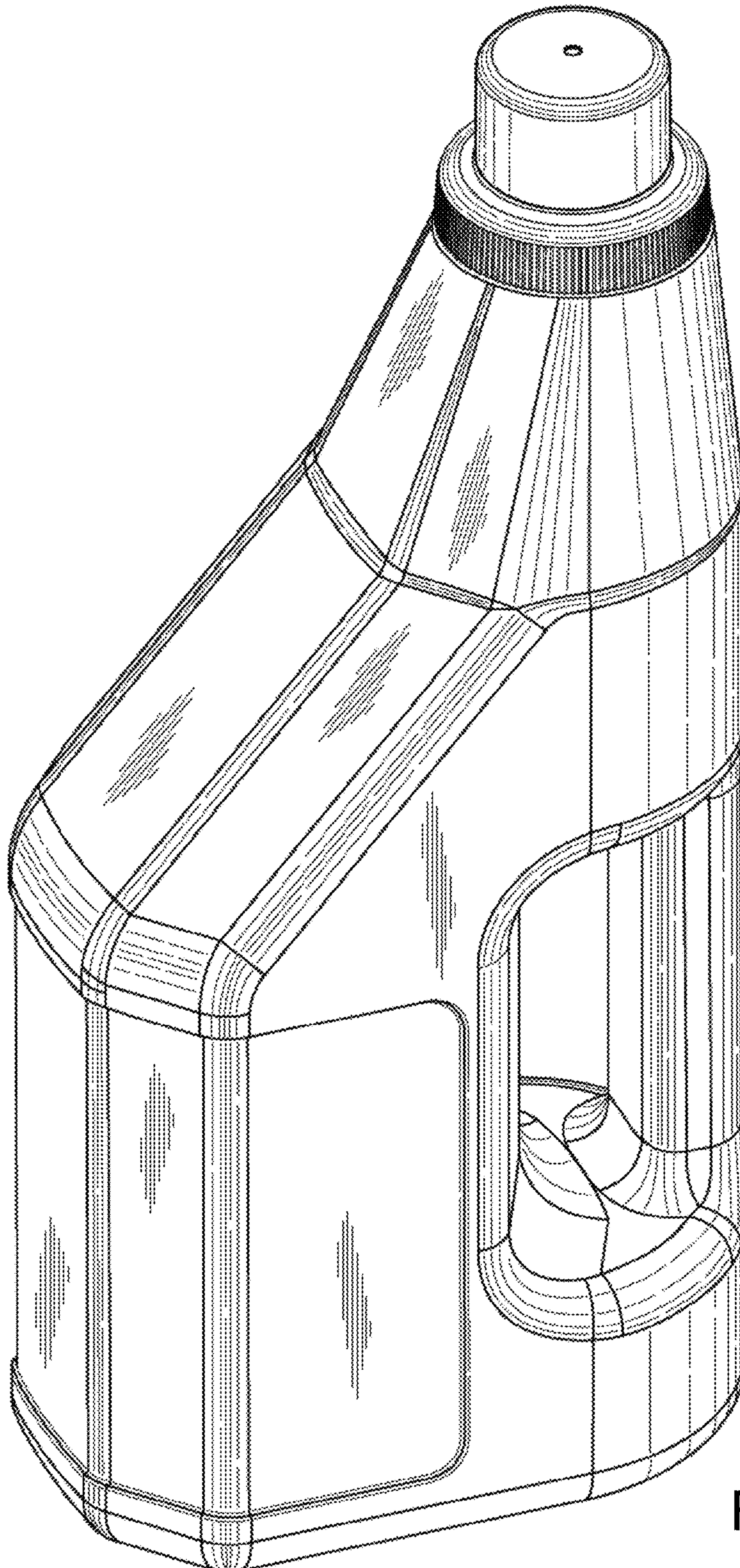


FIG. 1



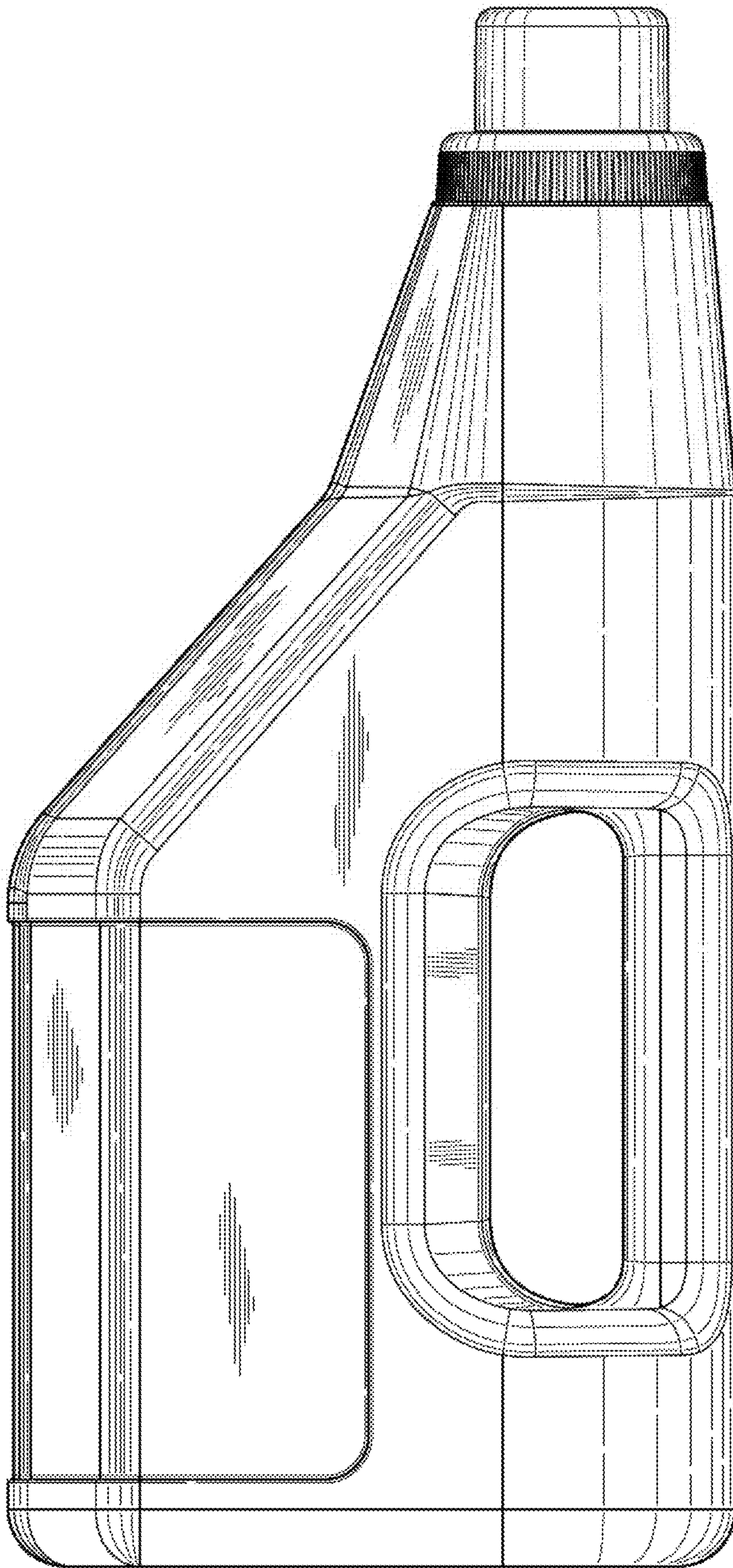


FIG. 2



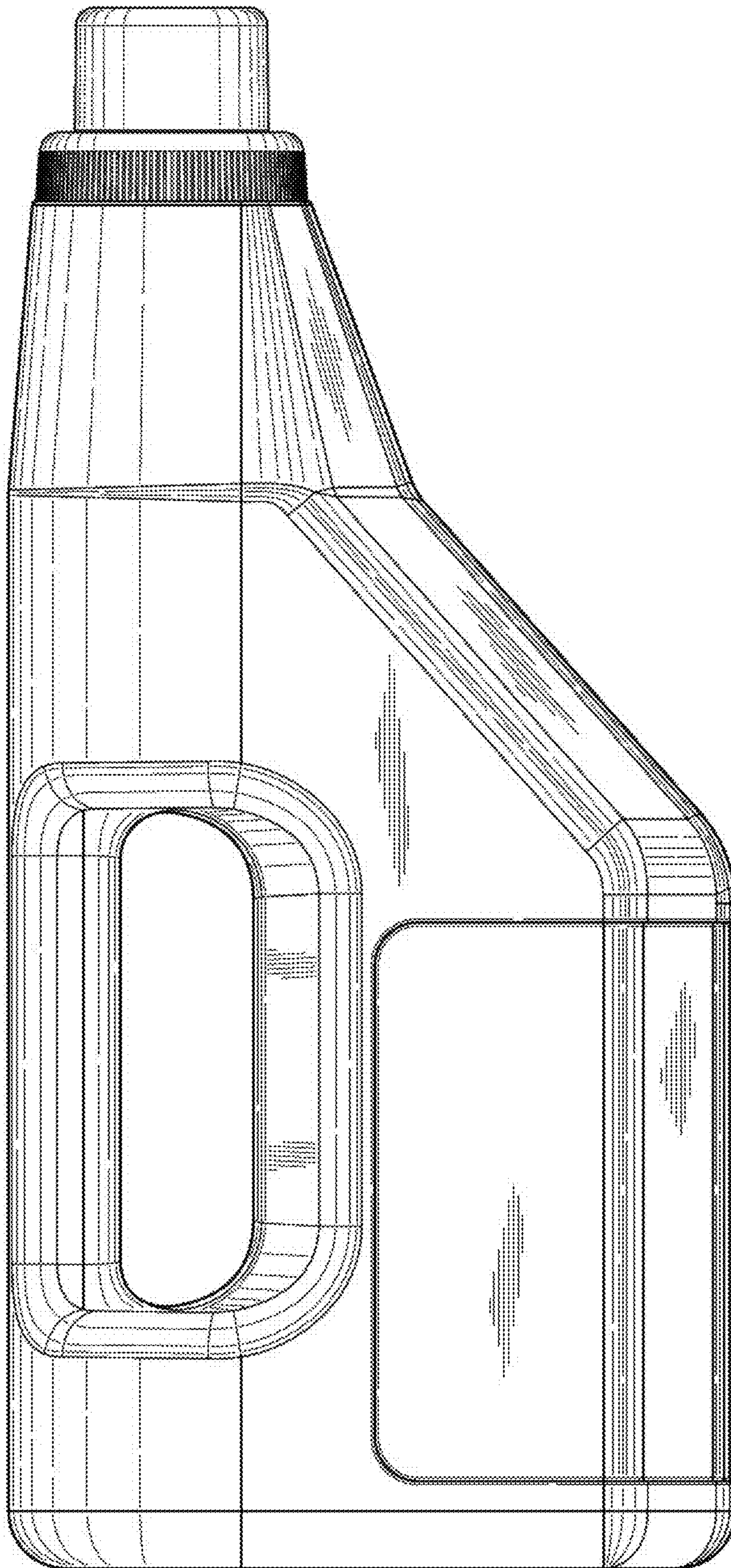


FIG.3

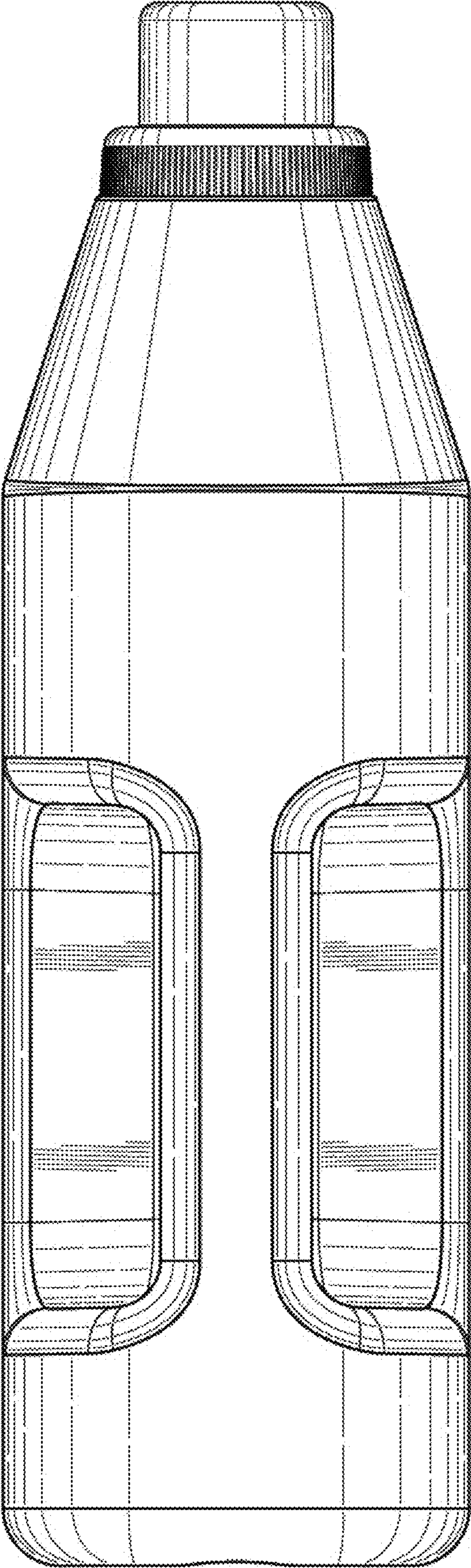


FIG.4



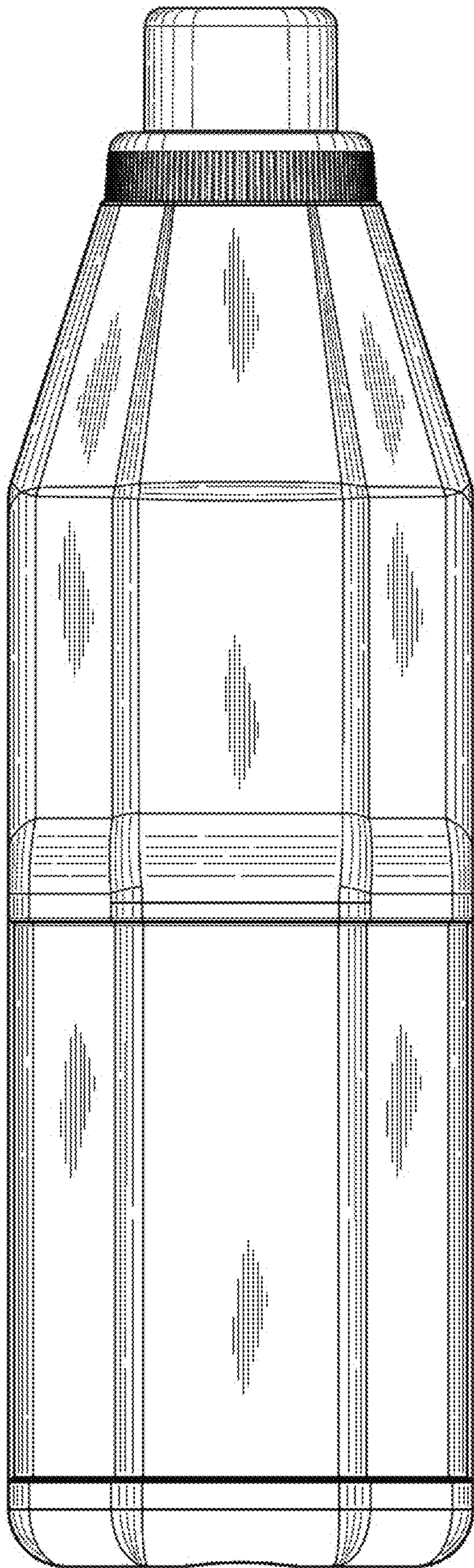


FIG.5

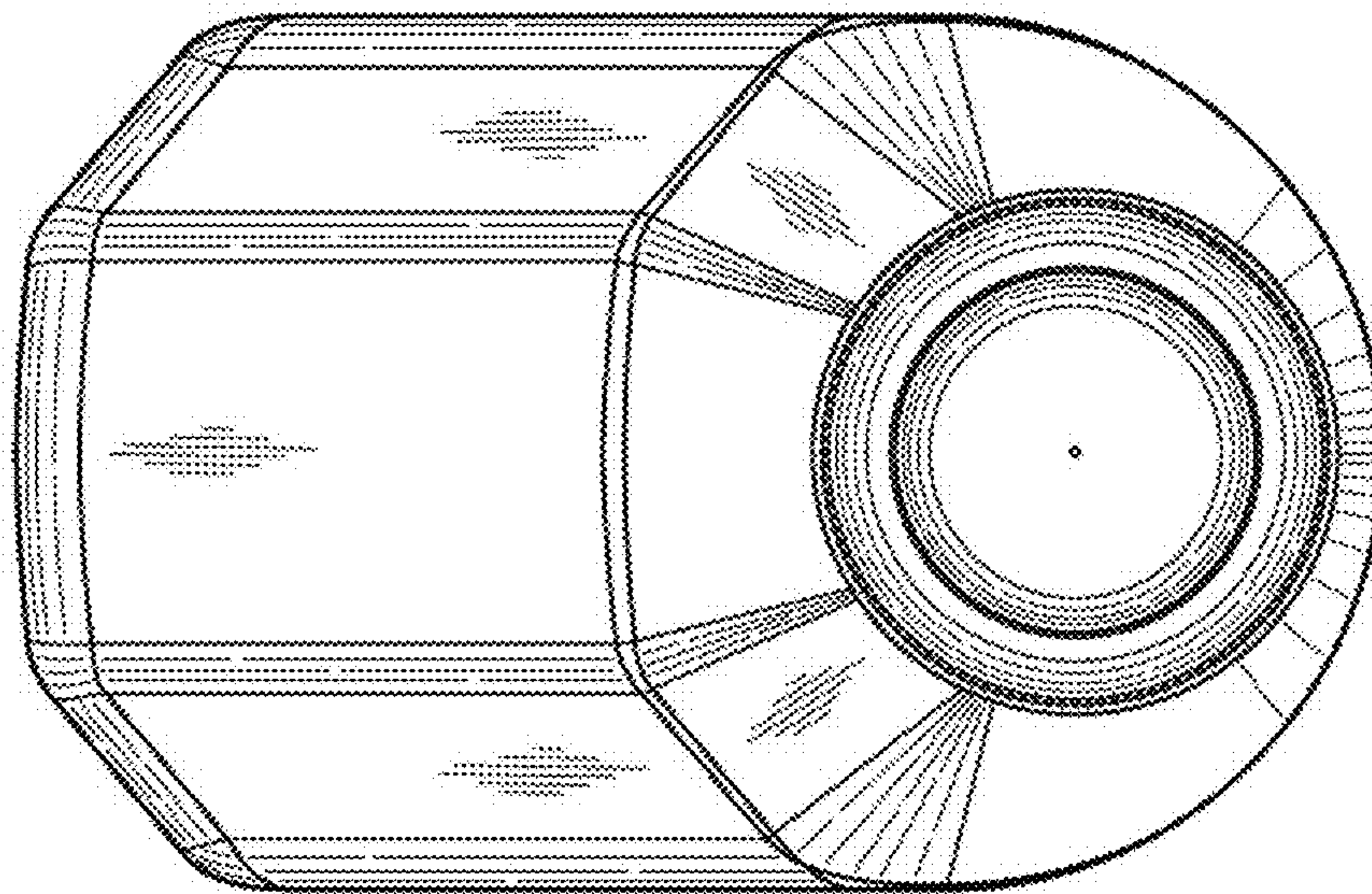


FIG.6

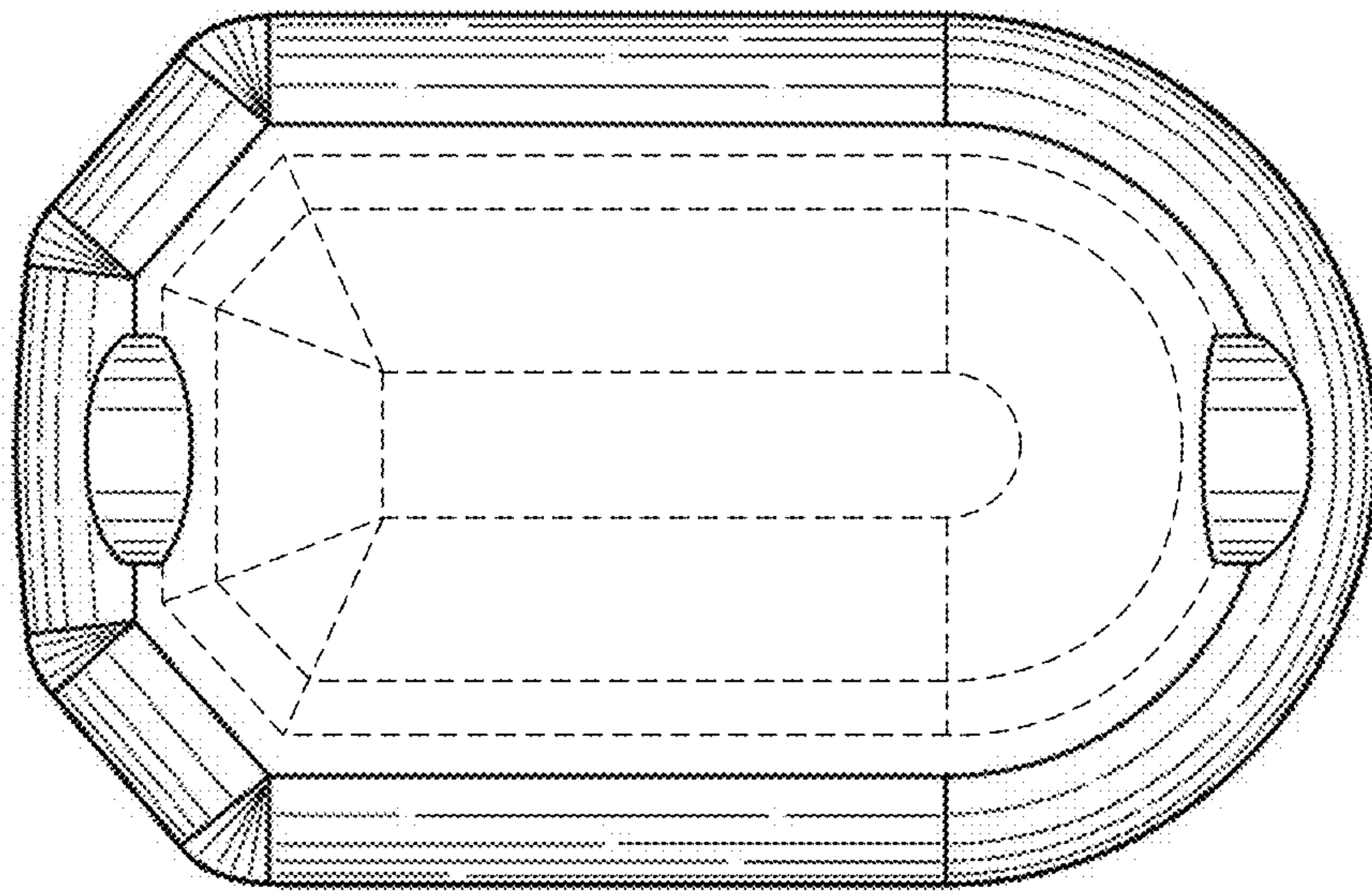


FIG.7