



US00D896652S

(12) **United States Design Patent** (10) **Patent No.:** **US D896,652 S**  
**Dunster et al.** (45) **Date of Patent:** **\*\* Sep. 22, 2020**

(54) **CONTAINER**

(71) Applicant: **Silgan Plastics LLC**, Chesterfield, MO (US)

(72) Inventors: **Alfred John Dunster**, Kelowna (CA);  
**James D. Janeczek**, Tecumseh, MI (US)

(73) Assignee: **Silgan Plastics LLC**, Chesterfield, MO (US)

(\*\*) Term: **15 Years**

(21) Appl. No.: **29/691,109**

(22) Filed: **May 14, 2019**

**Related U.S. Application Data**

(60) Division of application No. 29/619,004, filed on Sep. 26, 2017, now Pat. No. Des. 853,846, which is a continuation of application No. 29/570,372, filed on Jul. 7, 2016, now Pat. No. Des. 801,819, which is a division of application No. 29/493,927, filed on Jun. 16, 2014, now Pat. No. Des. 763,698.

(51) **LOC (12) Cl.** ..... **09-01**

(52) **U.S. Cl.**  
USPC ..... **D9/516**

(58) **Field of Classification Search**

USPC ..... D9/522, 530, 531, 543, 549, 558, 564,  
D9/565, 569, 572, 573; 215/40, 44, 200,  
215/381-384, 396; 220/288, 662, 669,  
220/675, 752, 755, 771; 222/189, 209;  
426/115

CPC ..... B65D 1/02; B65D 1/0223; B65D 1/0246;  
B65D 5/46; B65D 41/00; B65D 41/02;  
B65D 41/04; B65D 2501/00; B65D  
2501/0009

See application file for complete search history.

(56) **References Cited**

U.S. PATENT DOCUMENTS

D200,879 S 4/1965 Randlett  
D206,828 S 1/1967 Fox  
D235,733 S 7/1975 Platte  
D286,379 S 10/1986 Lyons  
D313,349 S 1/1991 Beaver  
D313,350 S 1/1991 Beaver  
D348,612 S 7/1994 Ring  
D352,005 S 11/1994 D'Amico et al.

(Continued)

*Primary Examiner* — Janice Patyk

(74) *Attorney, Agent, or Firm* — Reinhart Boerner Van Deuren s.c.

(57) **CLAIM**

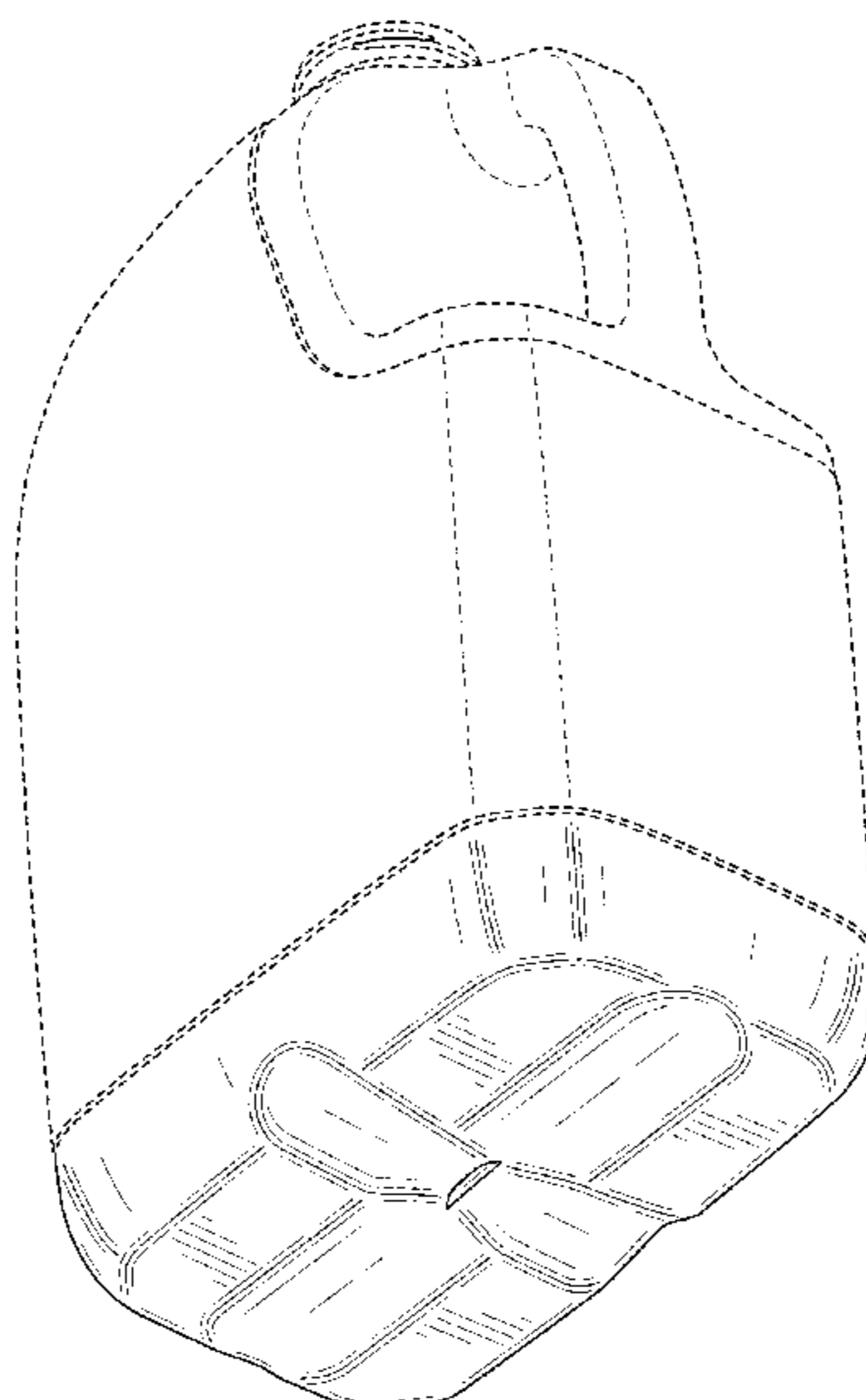
We claim the ornamental design for a container, as shown and described.

**DESCRIPTION**

FIG. 1 is a front perspective view of embodiment one, of a container, showing our new design;  
FIG. 2 is a bottom perspective view thereof;  
FIG. 3 is a front view thereof;  
FIG. 4 is a rear view thereof;  
FIG. 5 is a left side view thereof;  
FIG. 6 is a right side view thereof;  
FIG. 7 is a top view thereof;  
FIG. 8 is a bottom view thereof;  
FIG. 9 is a front perspective view of embodiment two, of a container, showing our new design;  
FIG. 10 is a bottom perspective view thereof;  
FIG. 11 is a front view thereof;  
FIG. 12 is a rear view thereof;  
FIG. 13 is a left side view thereof;  
FIG. 14 is a right side view thereof;  
FIG. 15 is a top view thereof; and,  
FIG. 16 is a bottom view thereof.

The broken lines in the figures illustrate the portions of the design that form no part of the claimed design.

**1 Claim, 16 Drawing Sheets**



(56)

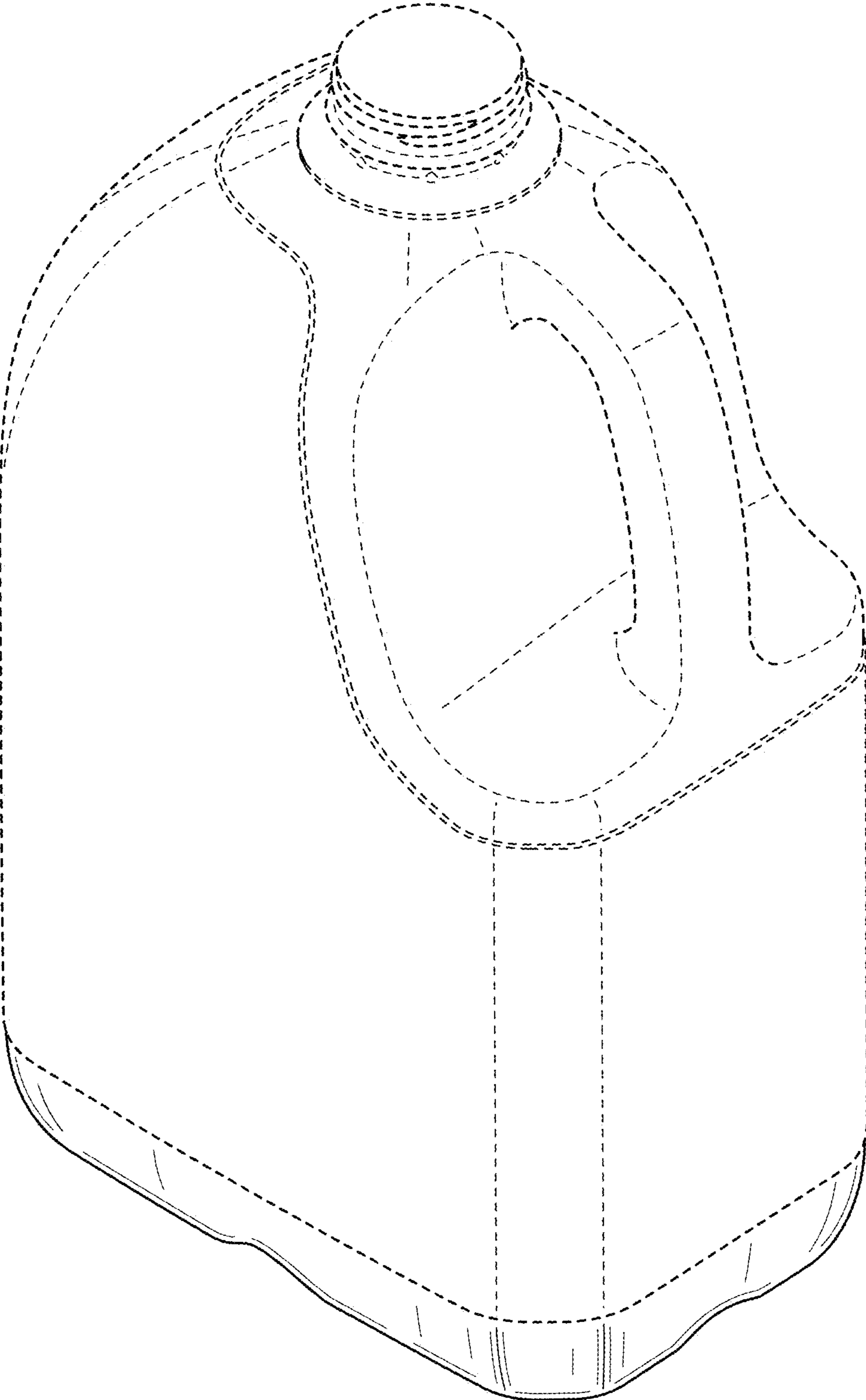
References Cited

U.S. PATENT DOCUMENTS

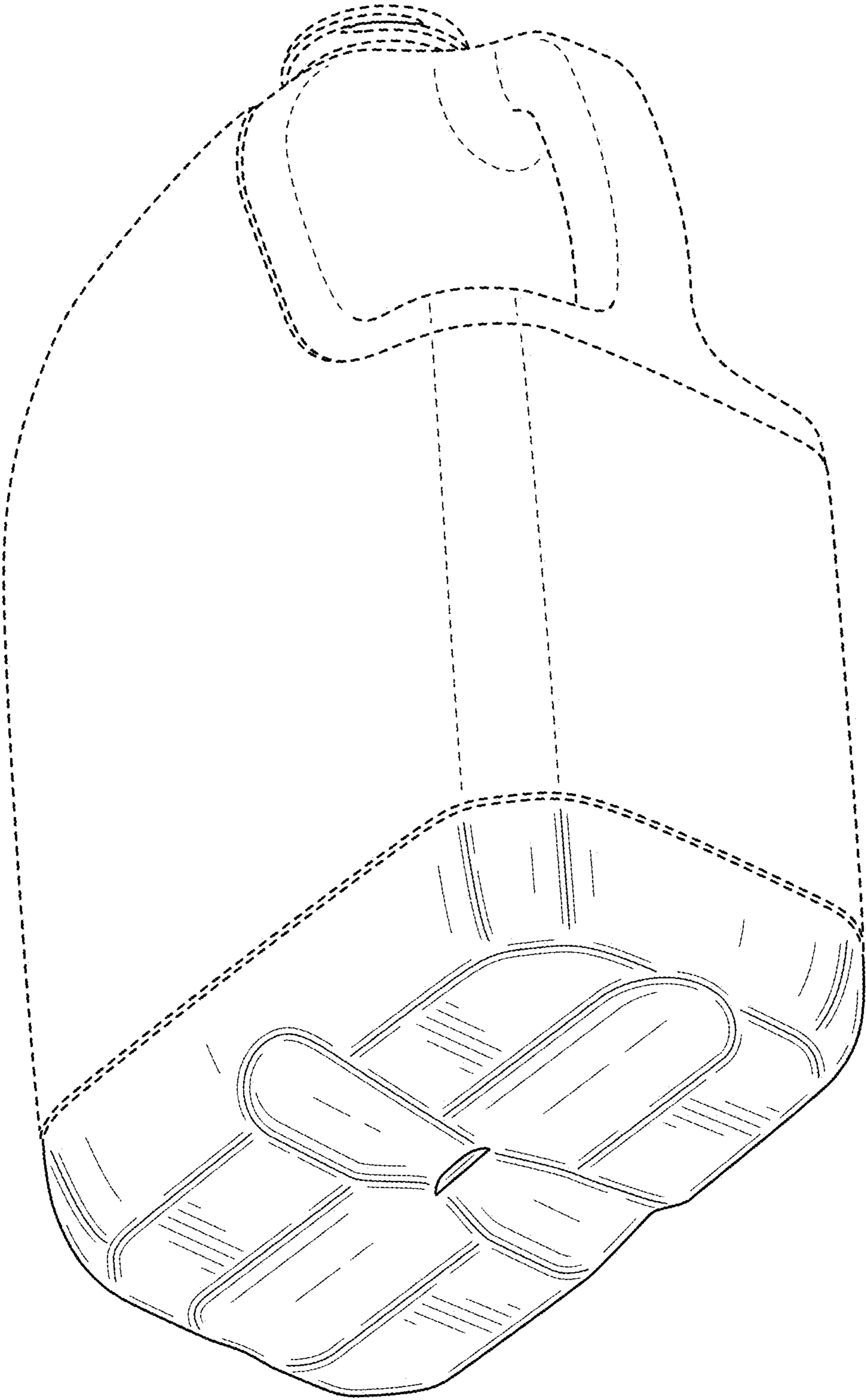
D353,541 S 12/1994 Rogler et al.  
 D371,740 S 7/1996 Lathrop  
 D374,179 S 10/1996 Lathrop et al.  
 D401,506 S 11/1998 Collins, II  
 D403,591 S 1/1999 Nijs et al.  
 D408,739 S 4/1999 Satterfield et al.  
 D409,494 S 5/1999 Frazer  
 D429,465 S 8/2000 Weeden  
 D502,875 S 3/2005 Bowen  
 D511,462 S 11/2005 Haley et al.  
 D512,320 S 12/2005 Haley  
 D522,868 S 6/2006 Bowen  
 7,137,521 B2 11/2006 Yourist  
 D550,560 S \* 9/2007 Bates ..... D9/528  
 D551,554 S 9/2007 Davis et al.  
 D556,041 S 11/2007 Flanagan-Kent et al.  
 D568,750 S 5/2008 Medema  
 D570,222 S 6/2008 Flanagan-Kent et al.  
 D585,748 S 2/2009 Flanagan-Kent et al.  
 D588,008 S 3/2009 Flanagan-Kent et al.  
 D604,623 S 11/2009 Baker, III  
 D612,734 S 3/2010 Sarsfield-Thomas et al.  
 D621,713 S 8/2010 Wilkum et al.

D639,171 S 6/2011 Davis  
 D658,499 S \* 5/2012 Wycoff ..... D9/528  
 D663,212 S 7/2012 DiBiasio et al.  
 D663,213 S \* 7/2012 Kallenbach ..... D9/454  
 D672,246 S 12/2012 McCay et al.  
 D676,326 S 2/2013 Kersten  
 D677,165 S \* 3/2013 Kersten ..... D9/528  
 D678,773 S 3/2013 DiBiasio et al.  
 D692,767 S \* 11/2013 Ahlman ..... D9/528  
 D694,113 S \* 11/2013 Ahlman ..... D9/528  
 D696,129 S 12/2013 DiBiasio et al.  
 D718,634 S 12/2014 DiBiasio  
 D732,963 S 6/2015 Hawry  
 9,090,380 B2 7/2015 Flanagan-Kent  
 D749,422 S 2/2016 Janeczek  
 9,284,180 B2 3/2016 Hayward  
 D756,232 S 5/2016 Dunster et al.  
 D787,941 S \* 5/2017 Bos ..... D9/528  
 D788,589 S \* 6/2017 Bos ..... D9/453  
 D798,721 S \* 10/2017 Duke ..... D9/527  
 D799,972 S \* 10/2017 Jost ..... D9/528  
 D810,572 S \* 2/2018 Oliveira ..... D9/528  
 D815,535 S \* 4/2018 Bischoff ..... D9/528  
 2006/0065619 A1 3/2006 Warren et al.  
 2009/0072055 A1 3/2009 Flanagan-Kent et al.

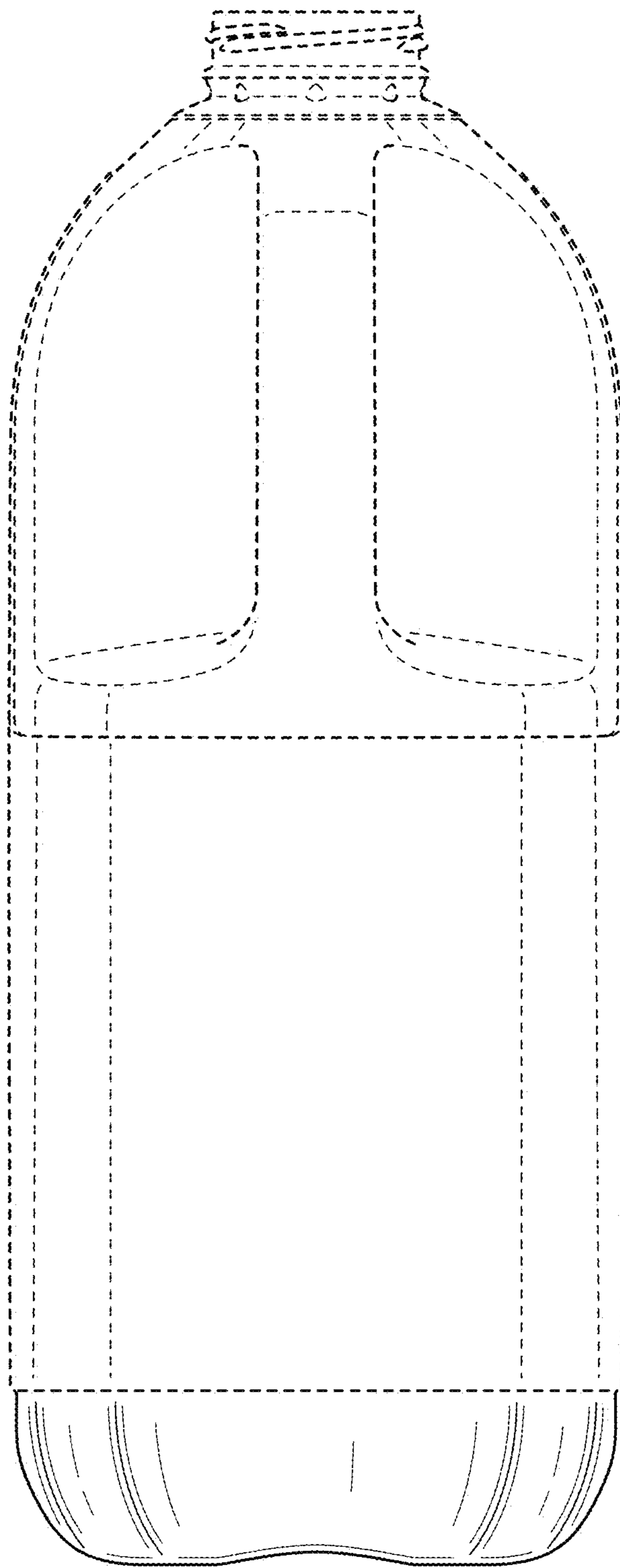
\* cited by examiner



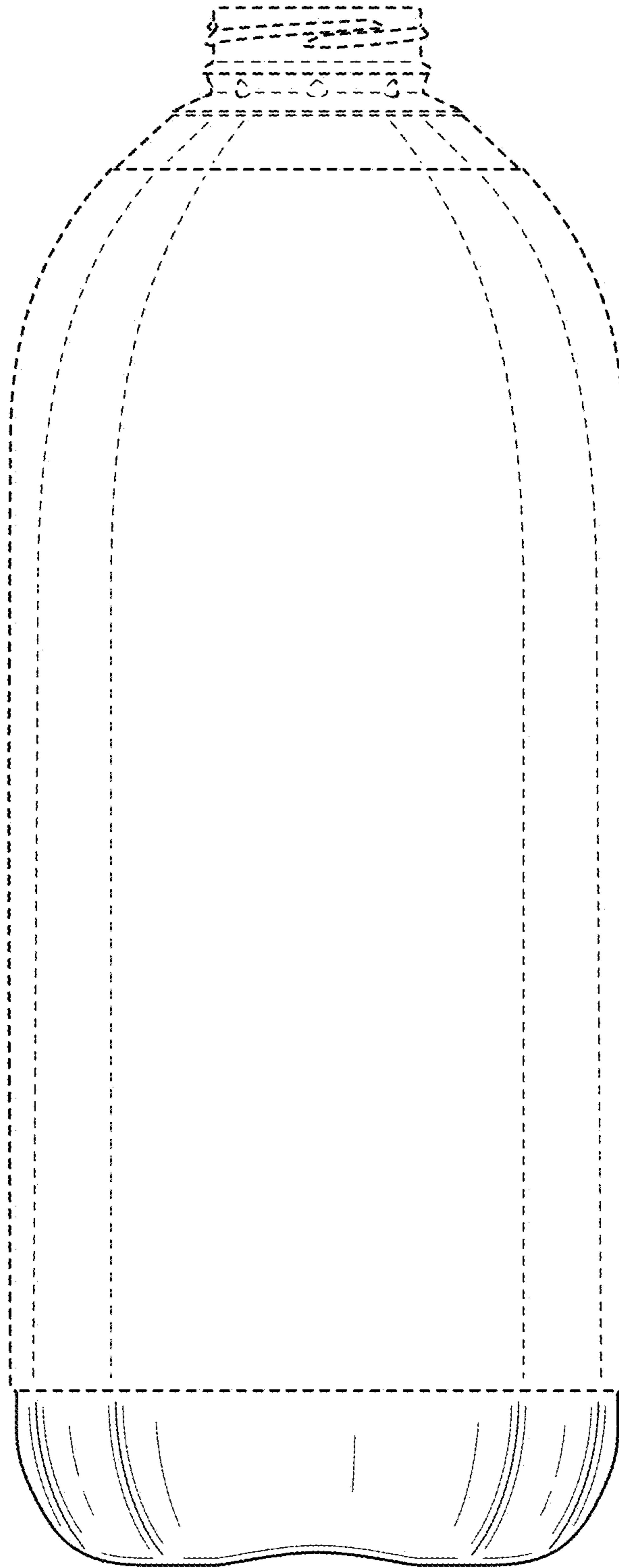
**FIG. 1**



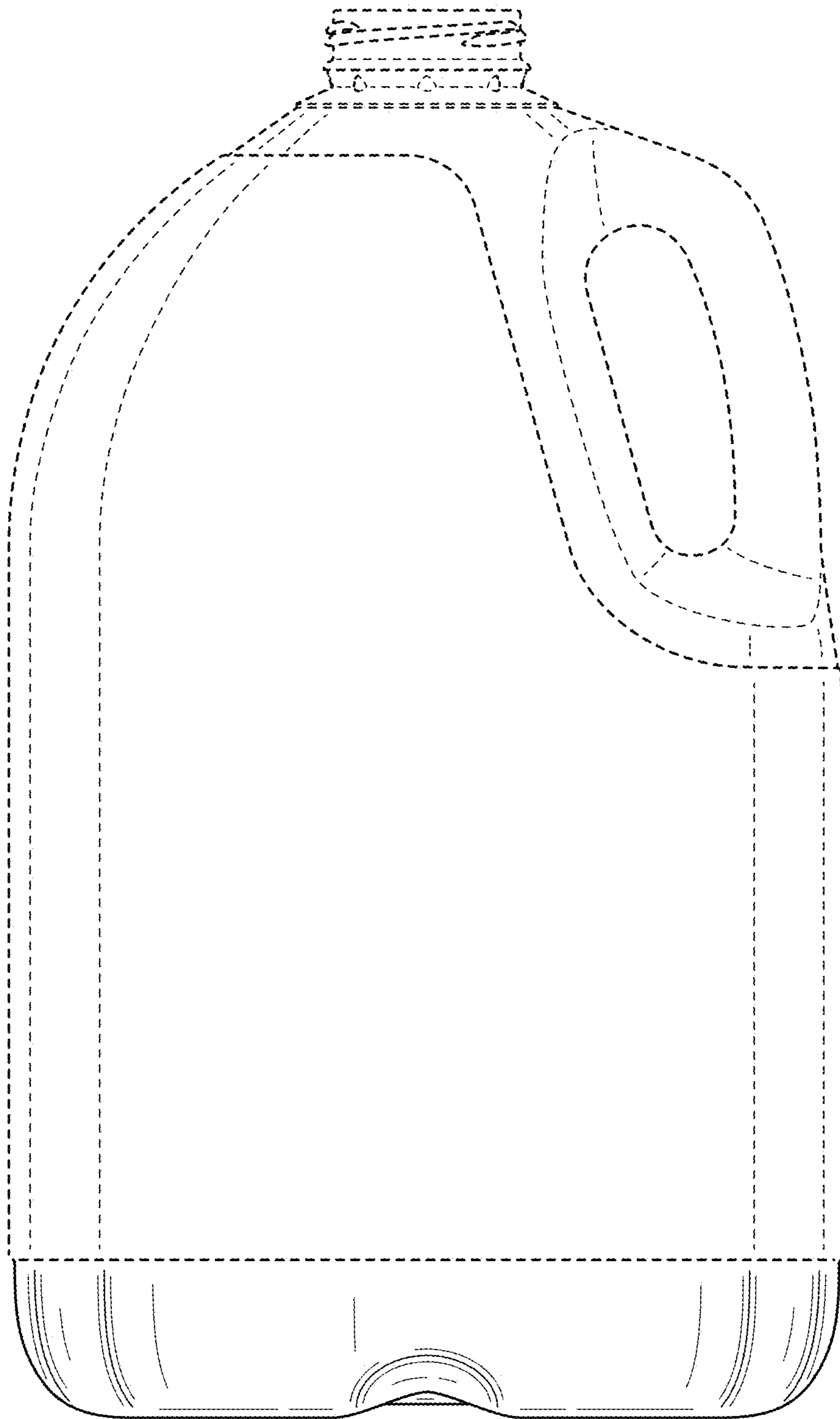
**FIG. 2**



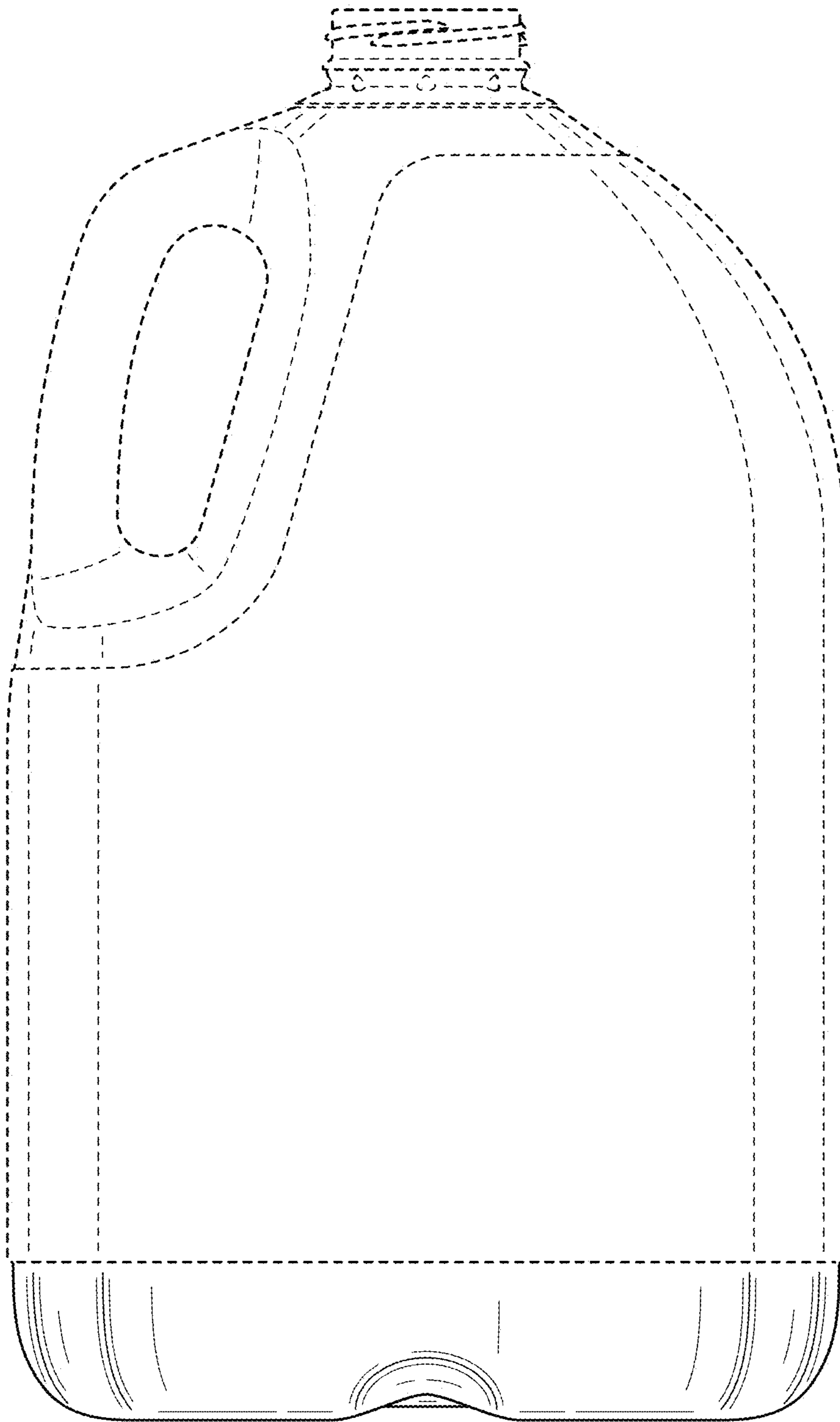
**FIG. 3**



**FIG. 4**

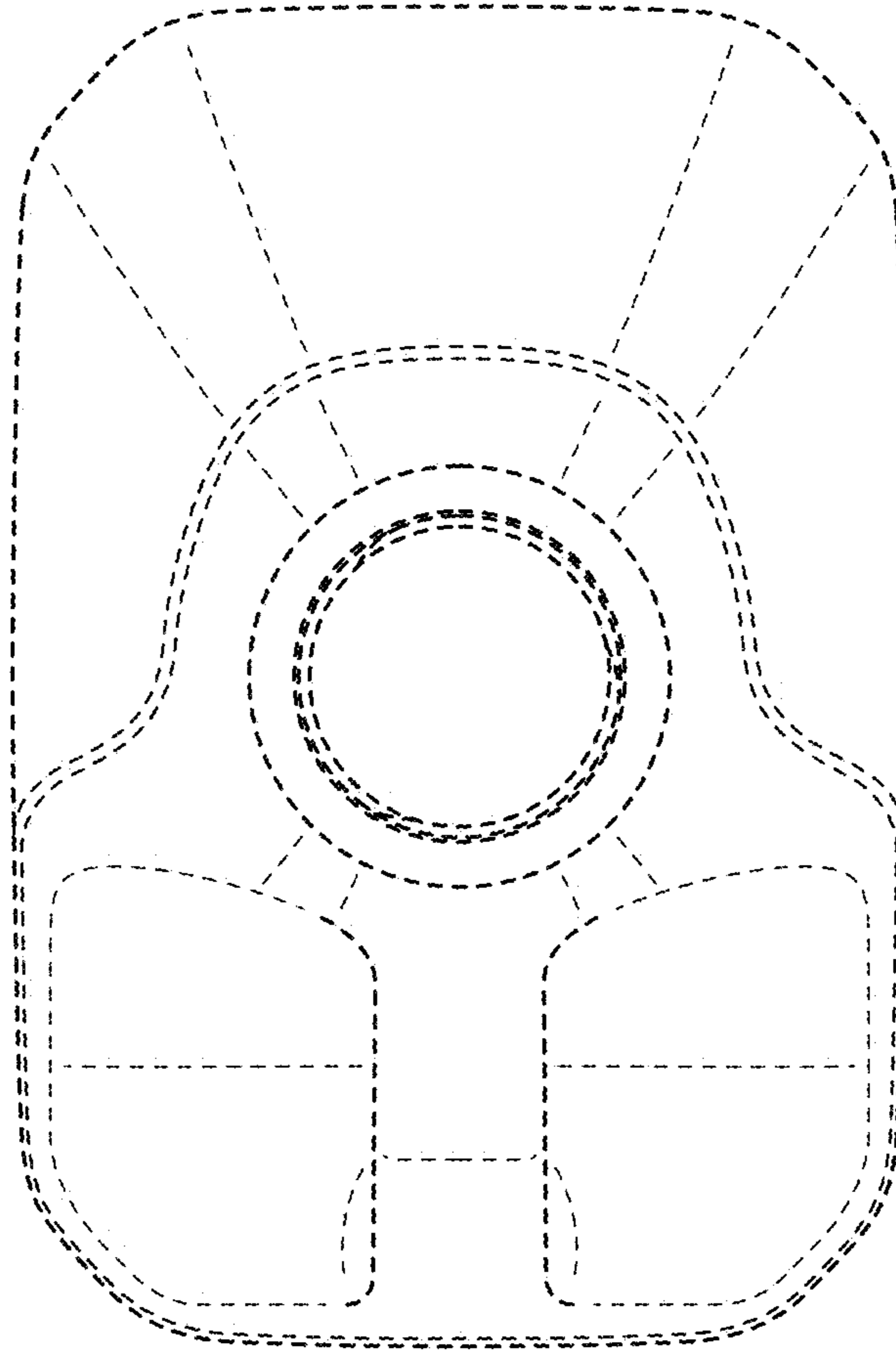


**FIG. 5**

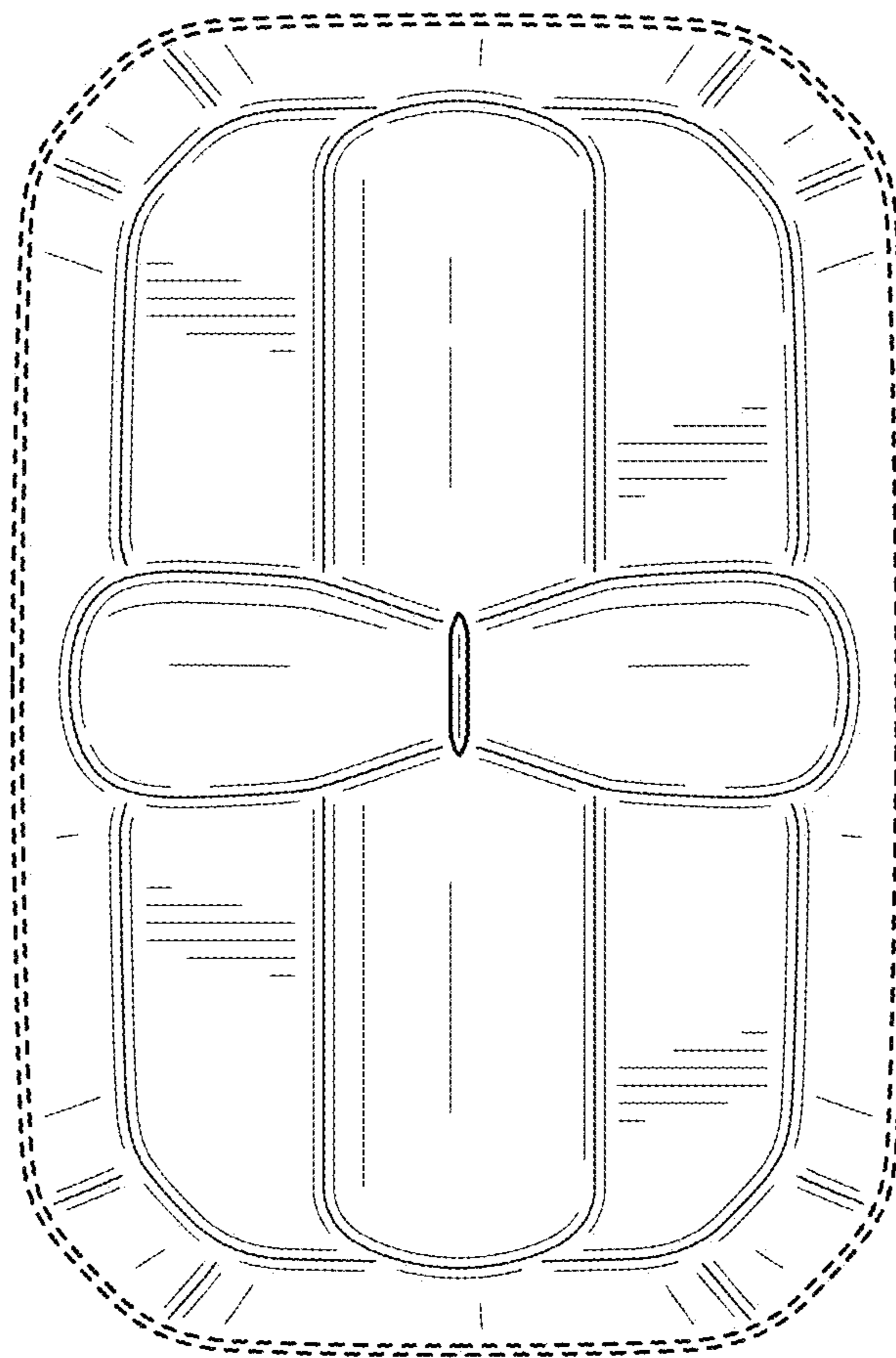


**FIG. 6**

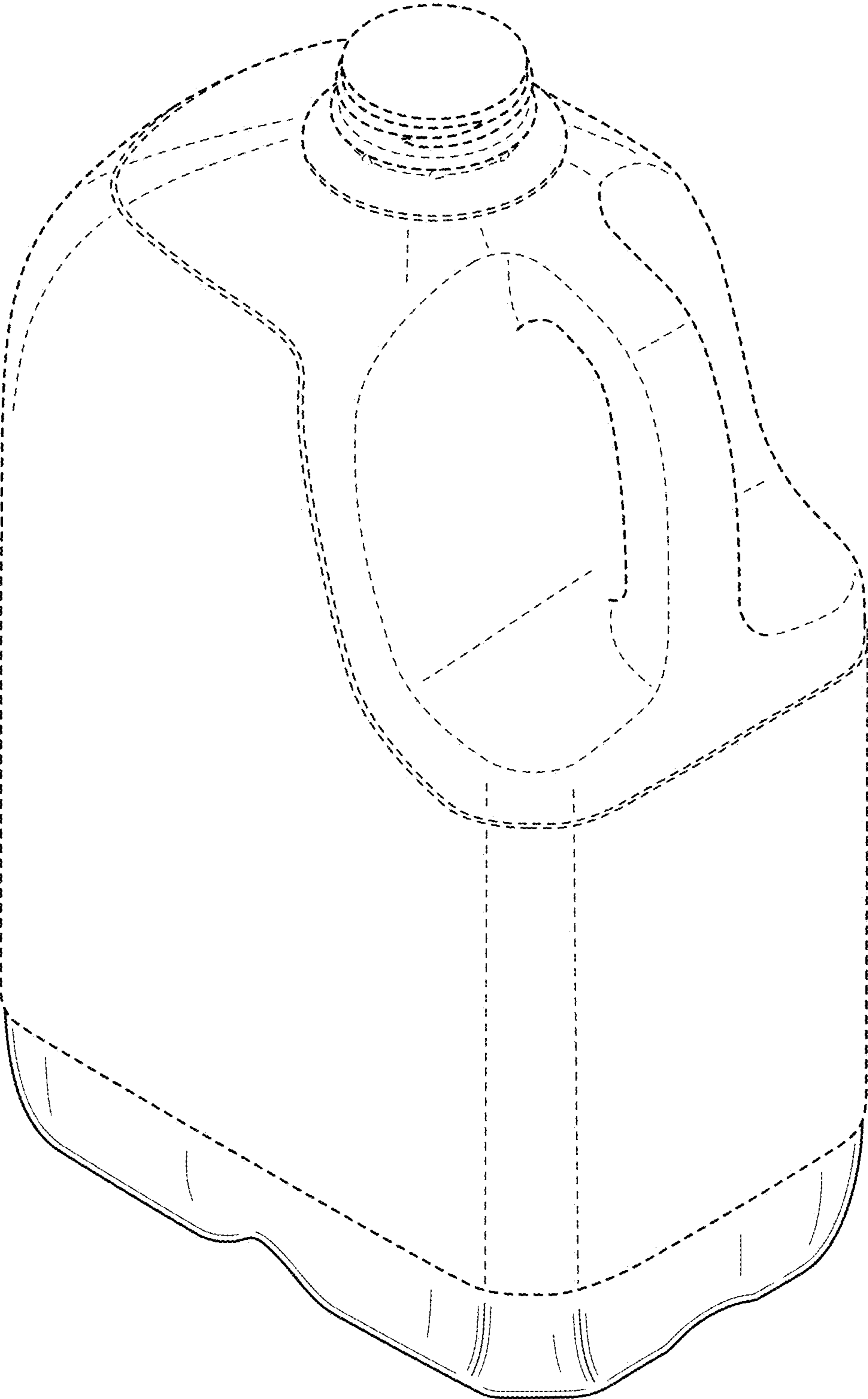




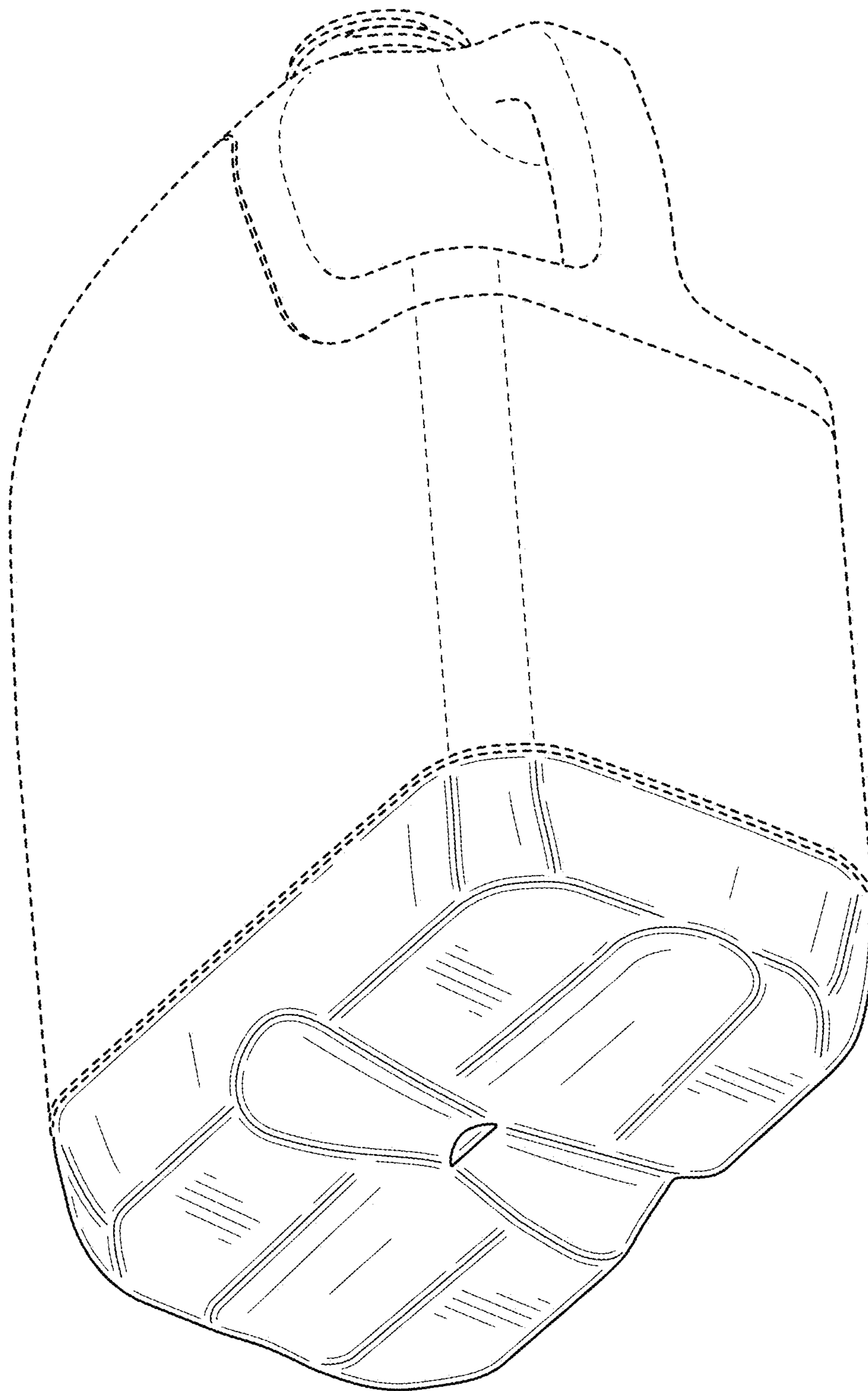
**FIG. 7**



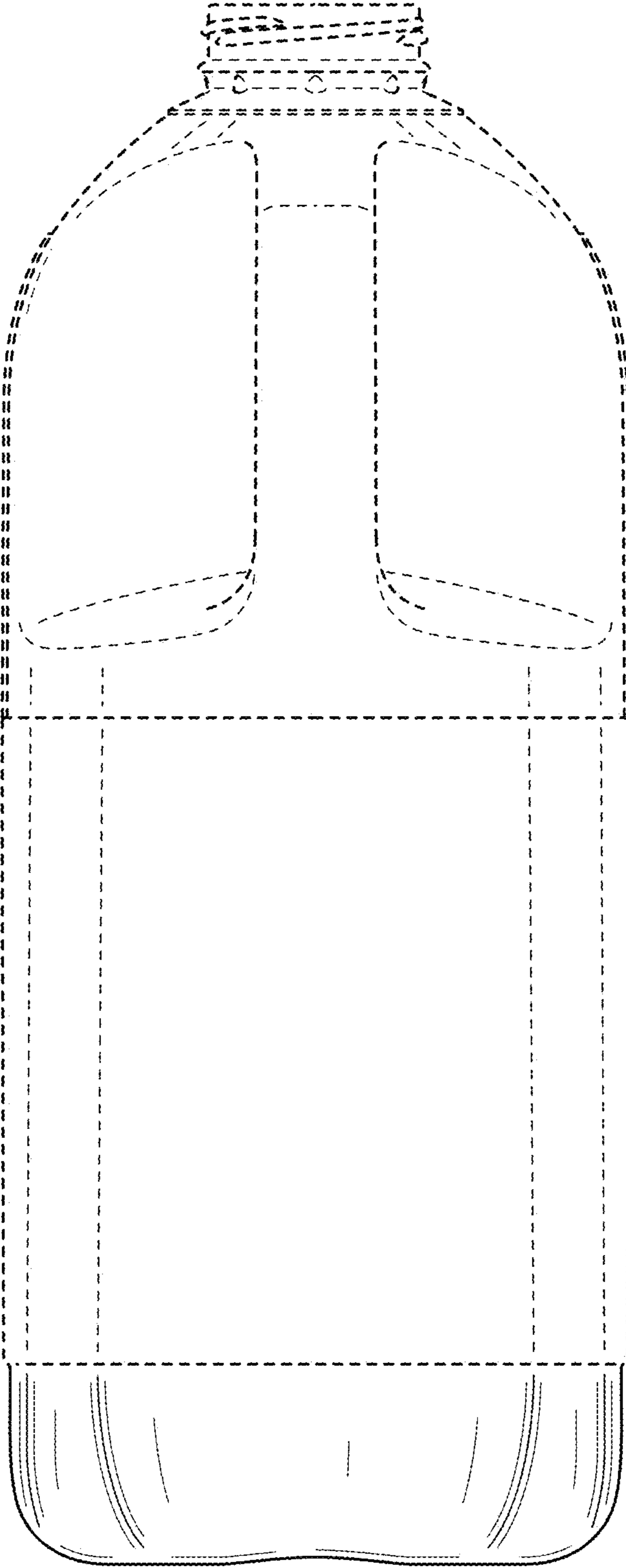
**FIG. 8**



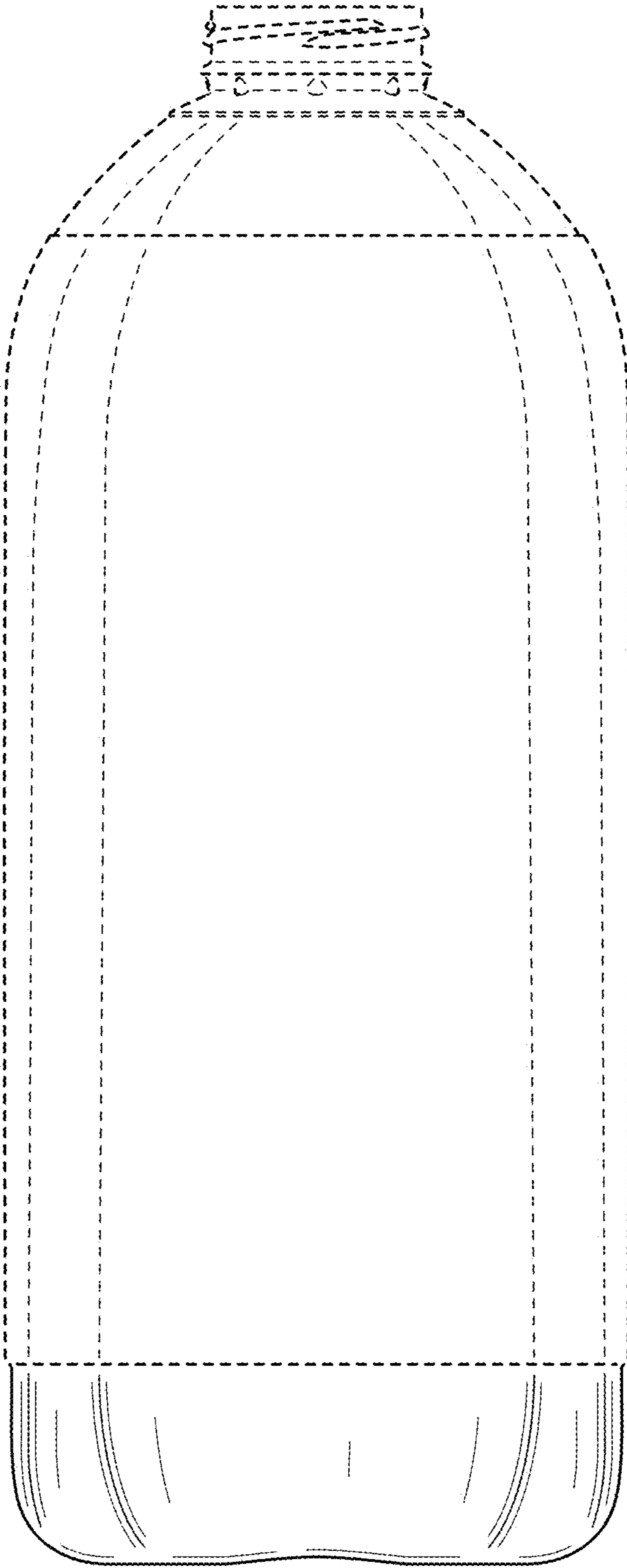
**FIG. 9**



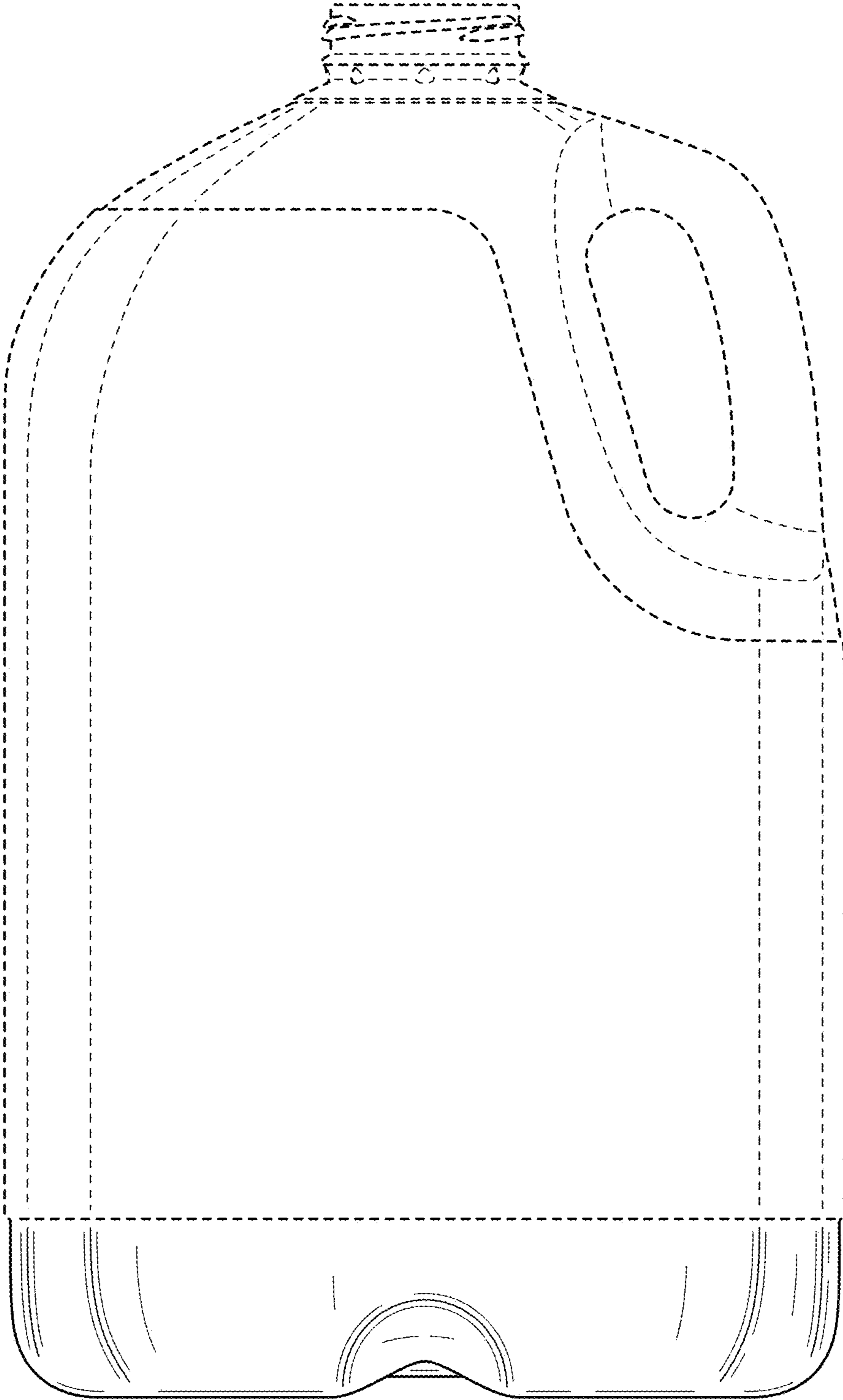
**FIG. 10**



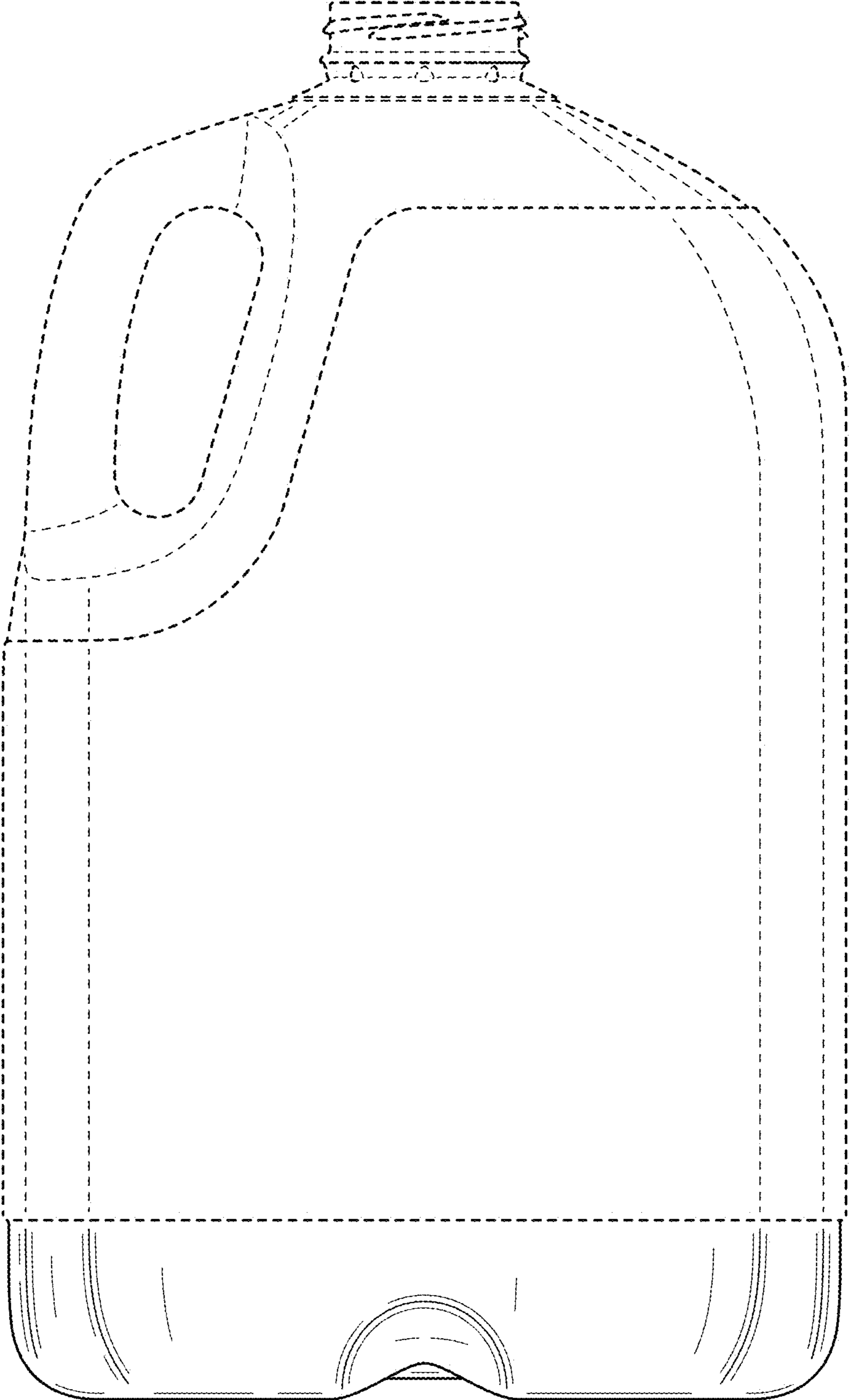
**FIG. 11**



**FIG. 12**

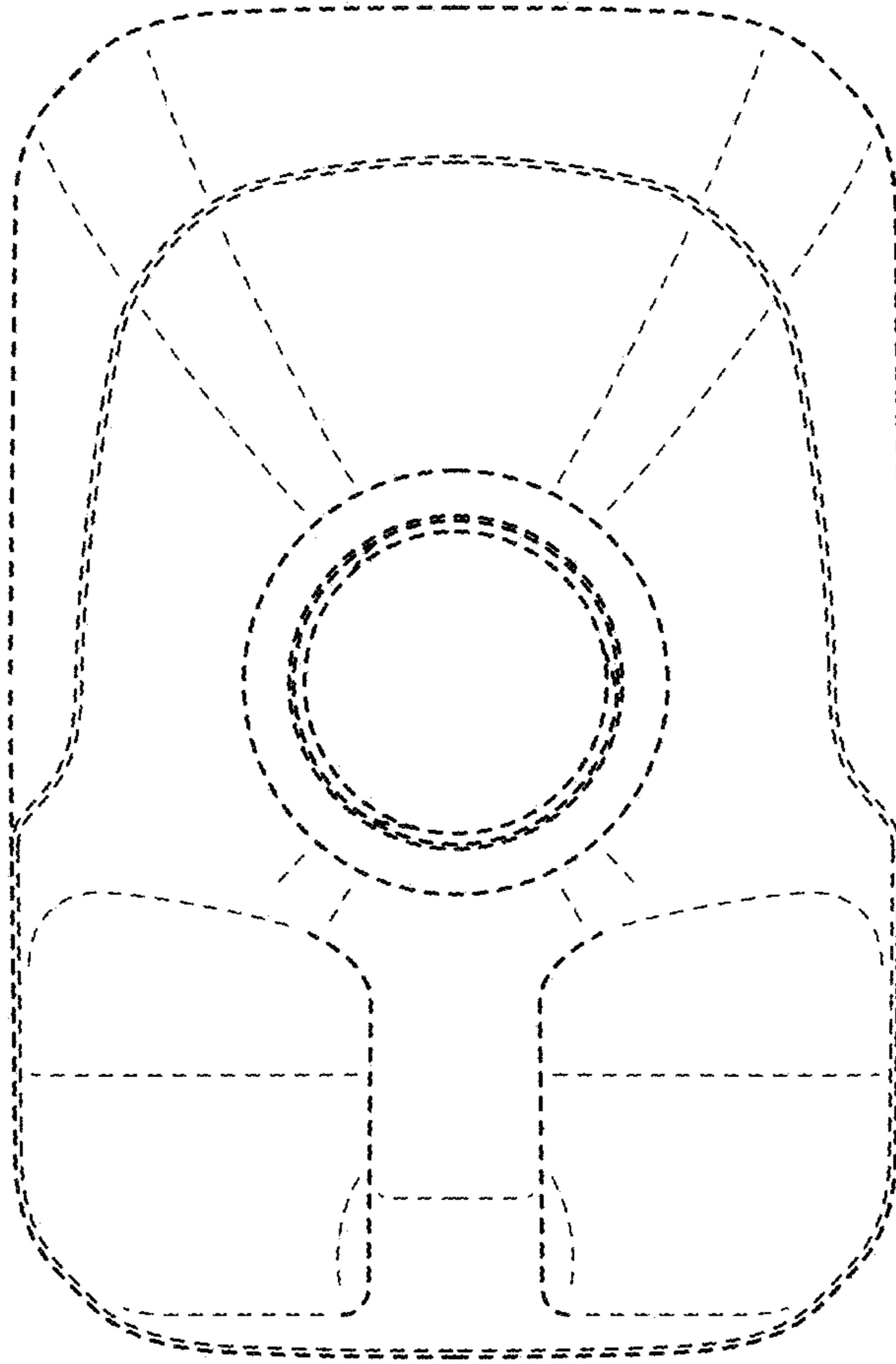


**FIG. 13**

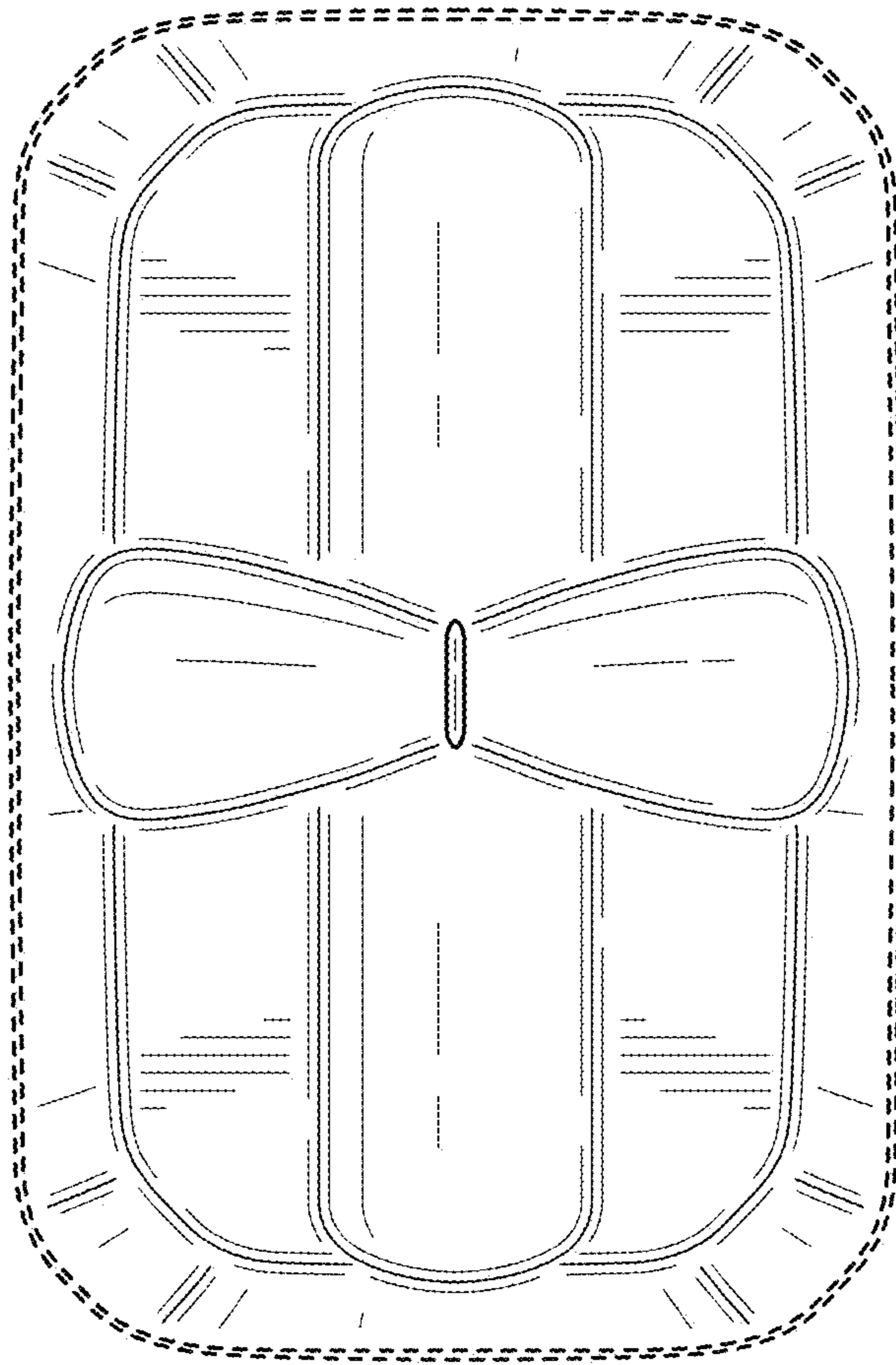


**FIG. 14**





**FIG. 15**



**FIG. 16**