



US00D896650S

(12) **United States Design Patent** (10) **Patent No.:** **US D896,650 S**  
**Pentland** (45) **Date of Patent:** **\*\* Sep. 22, 2020**

(54) **COLLAR FOR TUBULAR CASING**  
(71) Applicant: **Ingersoll Products Inc.**, Ingersoll (CA)  
(72) Inventor: **Jamie Pentland**, London (CA)  
(73) Assignee: **Ingersoll Products Inc.**, Ingersoll (CA)  
(\*\*) Term: **15 Years**  
(21) Appl. No.: **29/665,272**  
(22) Filed: **Oct. 2, 2018**  
(51) **LOC (12) Cl.** ..... **09-07**  
(52) **U.S. Cl.**  
USPC ..... **D9/453**; D9/438  
(58) **Field of Classification Search**  
USPC ..... D7/387, 392.1, 396.2; D9/434-436, 440,  
D9/443-445, 447, 449, 450, 499,  
D9/452-454, 438  
CPC ..... A47K 10/38; A47K 10/42; B65D 43/02;  
B65D 53/00; B65D 85/62; B65D 47/36;  
B65D 47/043; B65D 47/106; B65D  
41/3438  
See application file for complete search history.

(56) **References Cited**

U.S. PATENT DOCUMENTS

D573,022 S \* 7/2008 Berman ..... D9/453  
D584,149 S \* 1/2009 Lohrman ..... D9/453  
D612,197 S \* 3/2010 Chan ..... D7/392.1  
D671,834 S \* 12/2012 Chasteen ..... D9/453  
D688,128 S \* 8/2013 Krause ..... B65D 41/0414  
D9/453  
D688,129 S \* 8/2013 Krause ..... B65D 41/0414  
D9/453  
D709,374 S \* 7/2014 Wilcox ..... D9/453  
D723,370 S \* 3/2015 Medlin ..... D9/453  
D731,238 S \* 6/2015 Kalaouze, Jr. .... D7/392.1  
D763,691 S \* 8/2016 Marantis ..... D9/434  
D772,708 S \* 11/2016 Lloyd ..... D9/449

D792,219 S \* 7/2017 Bueno Nunez ..... D9/453  
D796,961 S \* 9/2017 Klein ..... D9/522  
D820,634 S \* 6/2018 Michie ..... D7/392.1  
D840,819 S \* 2/2019 Hudson ..... D9/454  
D858,284 S \* 9/2019 Murac ..... D9/454  
2002/0134747 A1\* 9/2002 Babcock ..... B65D 1/023  
215/252  
2003/0178433 A1\* 9/2003 Adams ..... B65D 47/0895  
220/703  
2007/0034590 A1\* 2/2007 Hidding ..... B65D 1/0246  
215/252  
2007/0182563 A1\* 8/2007 Abbott ..... B65D 41/045  
340/572.8  
2016/0332783 A1\* 11/2016 Kim ..... B65D 41/34

OTHER PUBLICATIONS

Grainger. Nylon Bushings. No date specified. <https://www.grainger.com/category/hardware/hardware-supplies/nylon-bushings> (Year: 0).\*

\* cited by examiner

*Primary Examiner* — Darcey E Gottschalk  
(74) *Attorney, Agent, or Firm* — Laurence P. Colton;  
Smith Tempel Blaha LLC

(57) **CLAIM**

The ornamental design for a collar for a tubular casing, as shown and described.

**DESCRIPTION**

FIG. 1 is a top plan view of the collar for tubular casing of the present design.  
FIG. 2 is a cross sectional view thereof taken along 2-2 of FIG. 1.  
FIG. 3 is a top left side perspective view thereof.  
FIG. 4 is a bottom plan view thereof; and,  
FIG. 5 is a top right side perspective view thereof.  
The broken lines show portions of the collar for tubular casing that form no part of the claimed design.

**1 Claim, 5 Drawing Sheets**

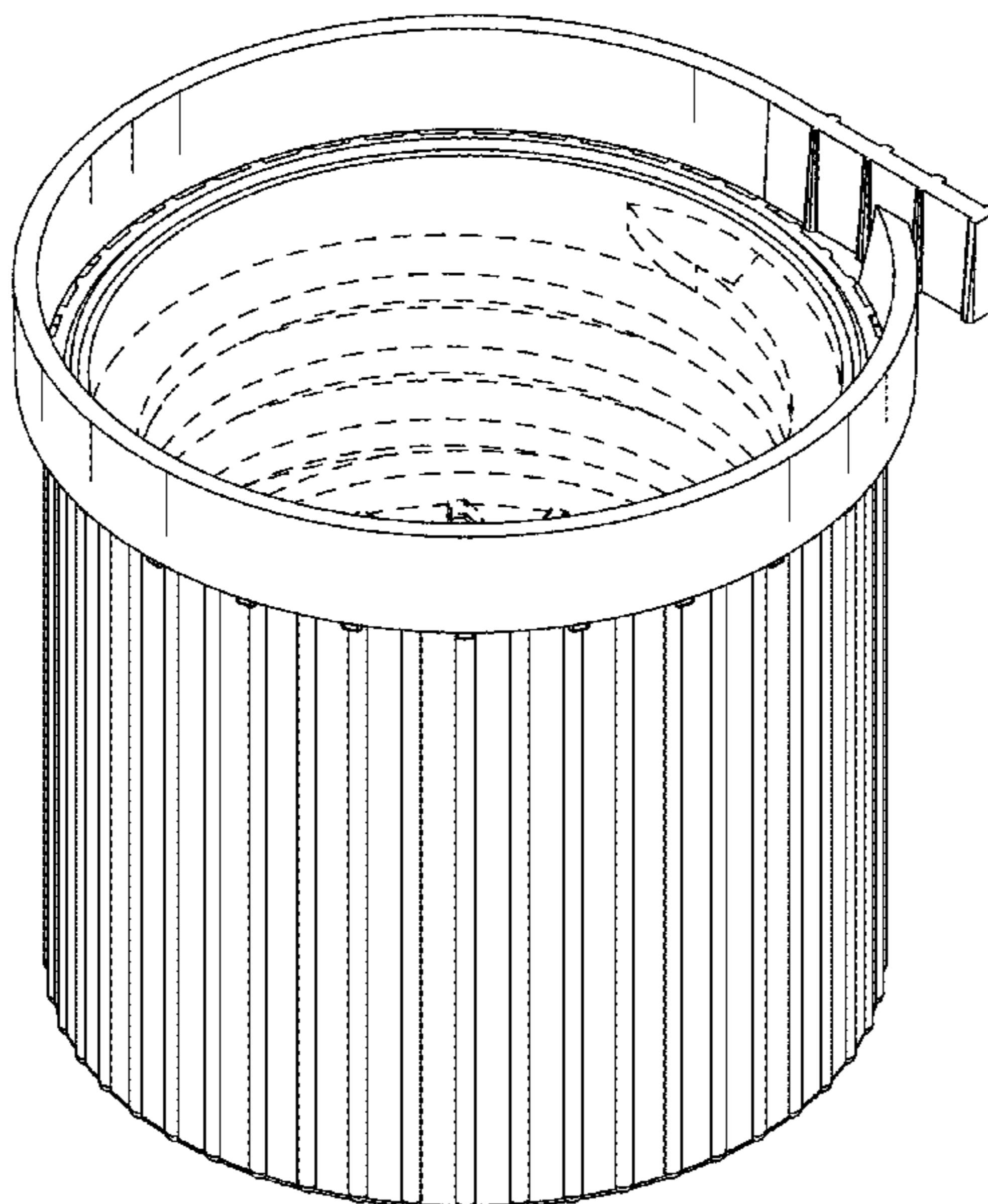


FIGURE 1.

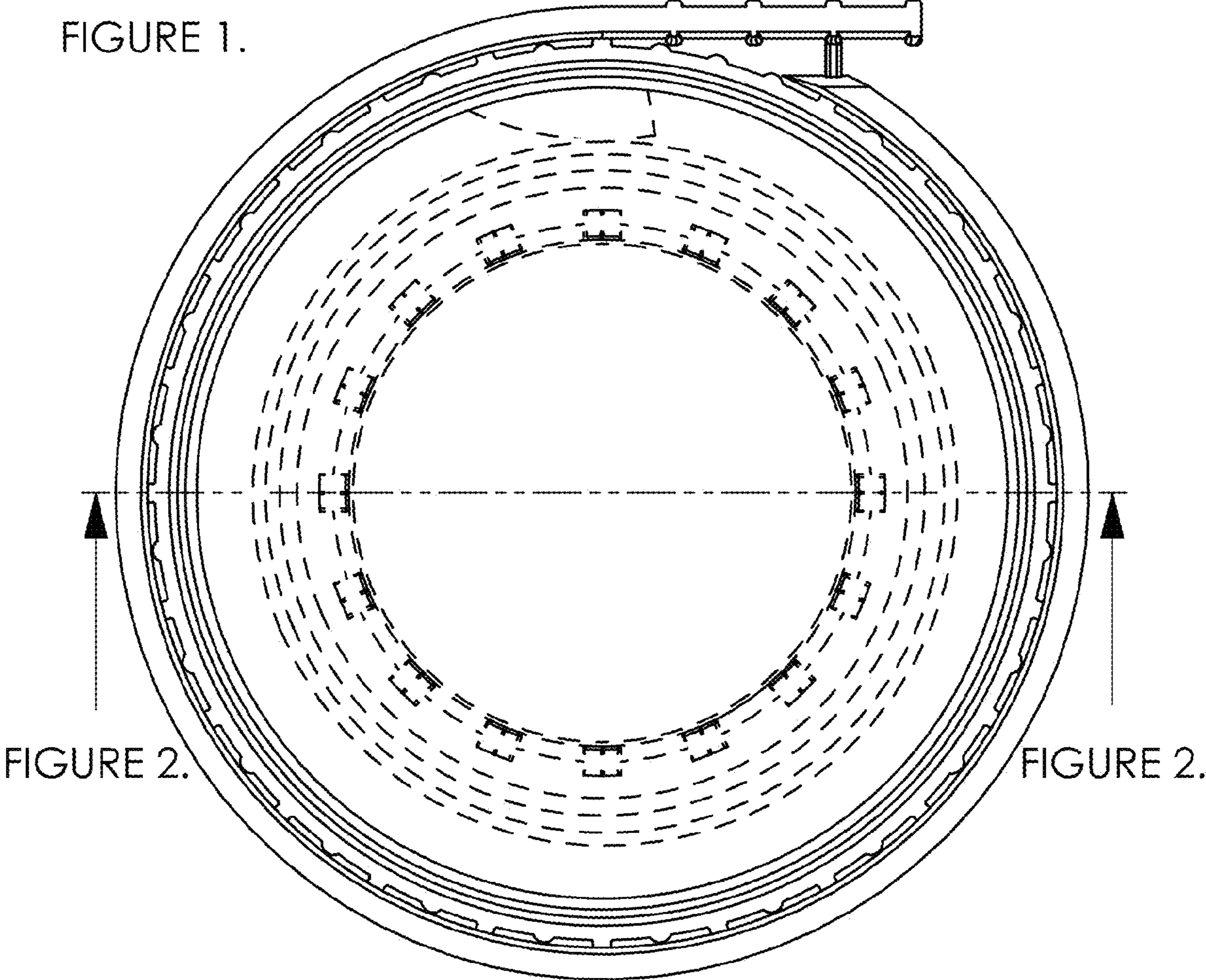


FIGURE 2.

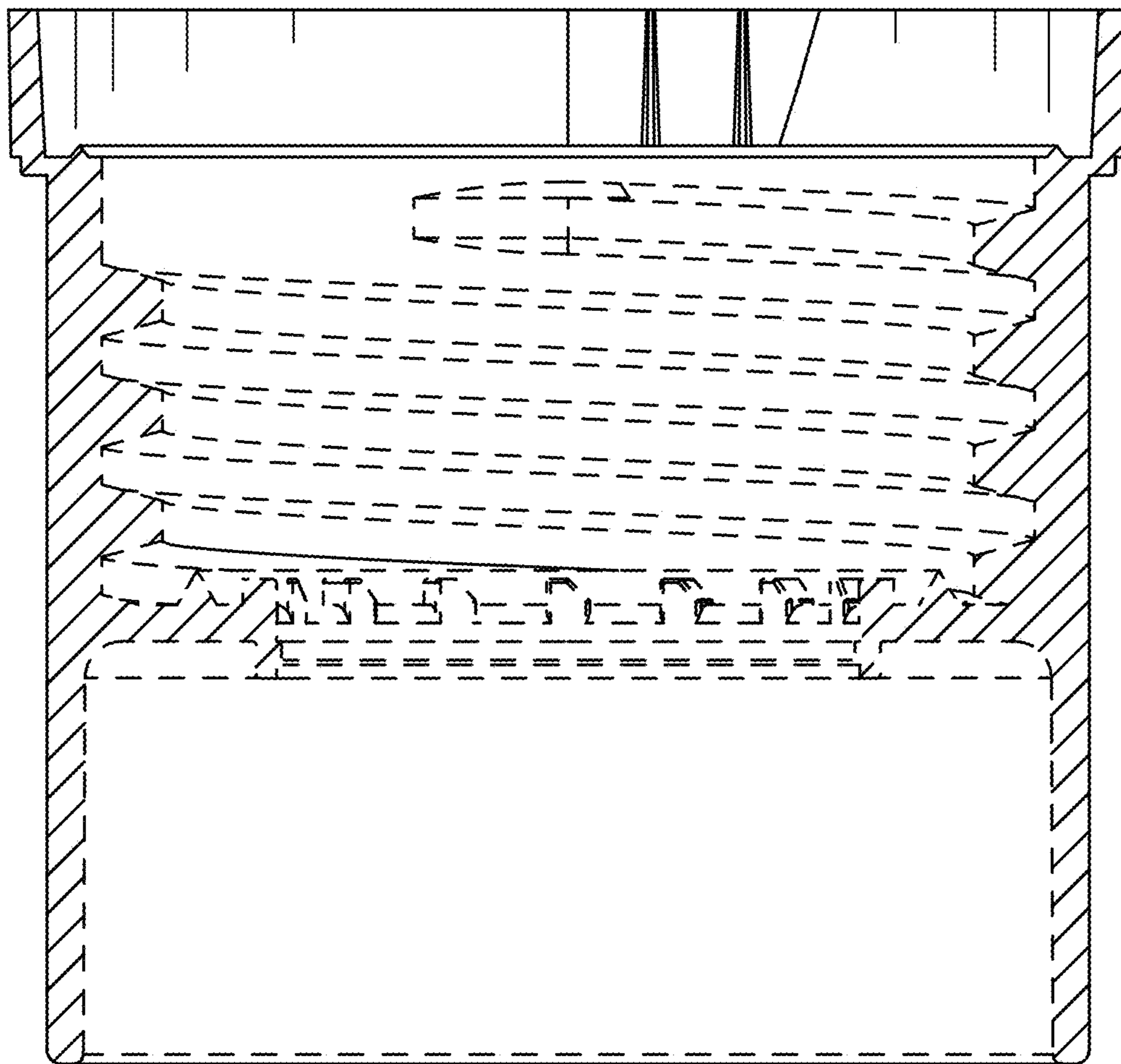


FIGURE 3.

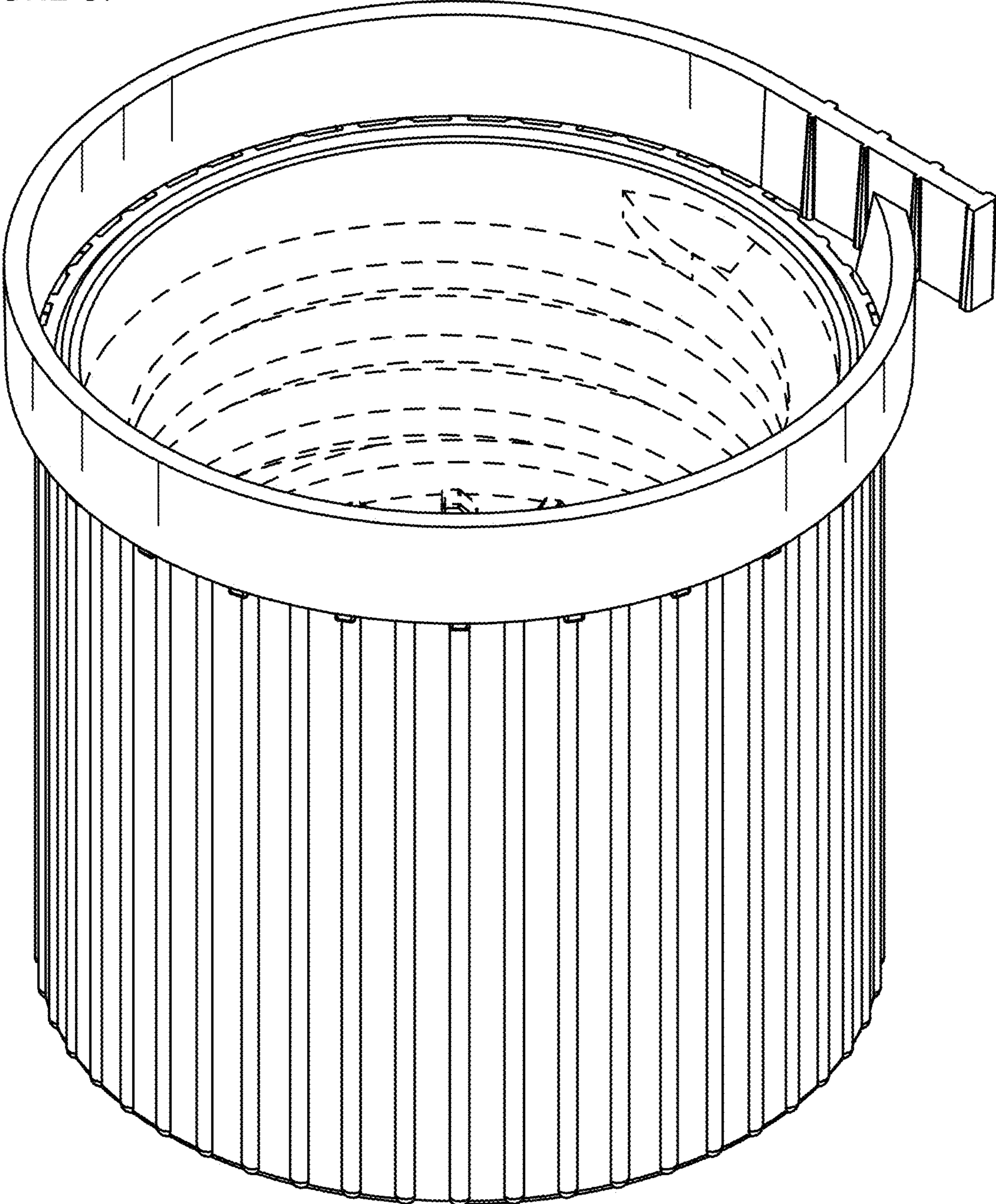


FIGURE 4.

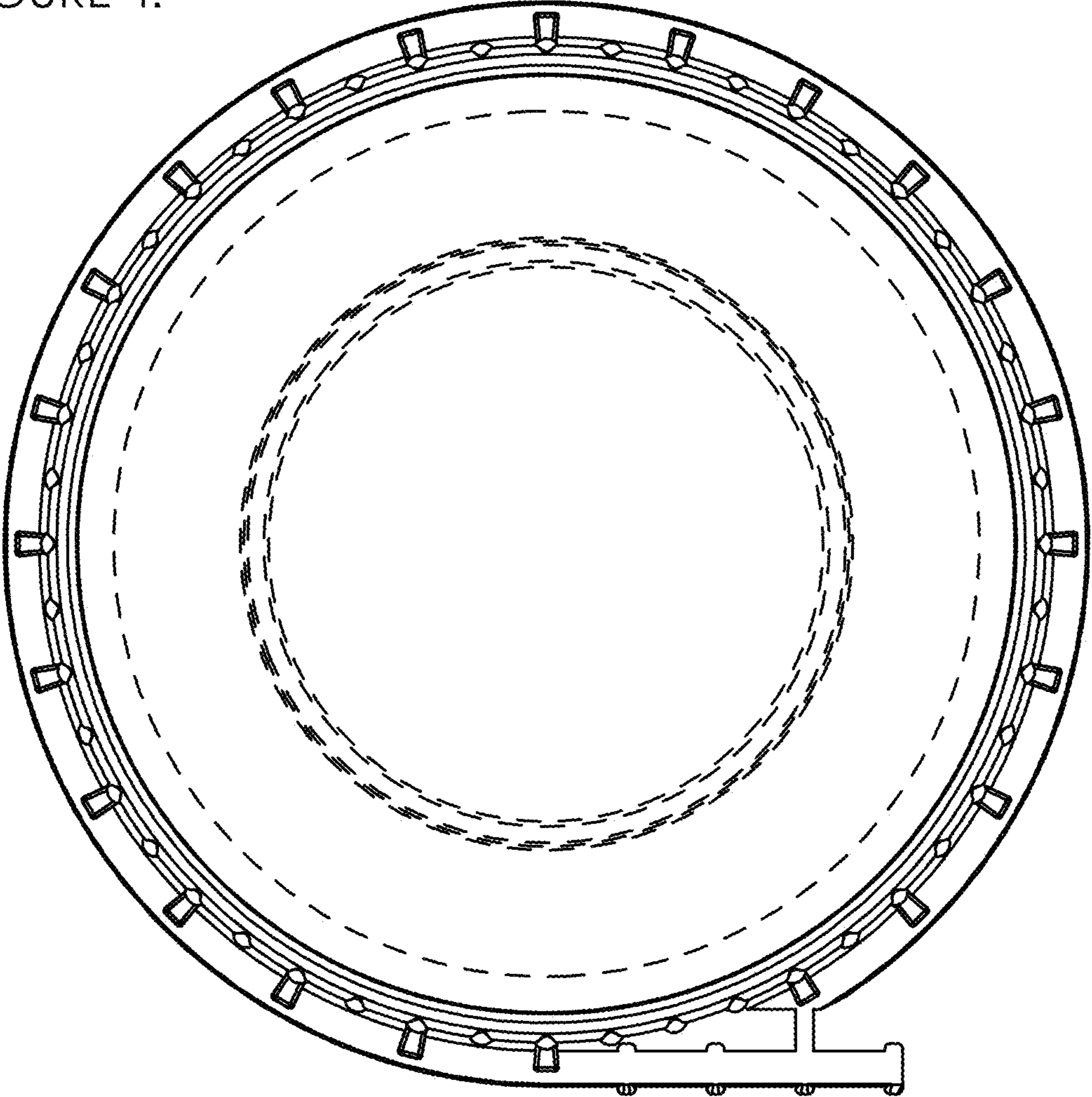


FIGURE 5.

