



US00D896648S

(12) **United States Design Patent** (10) **Patent No.:** **US D896,648 S**
Nguyen-DeMary et al. (45) **Date of Patent:** **** Sep. 22, 2020**

(54) **TAMPER-PROOF CAP**
(71) Applicant: **Merck Sharp & Dohme, Corp.**,
Rahway, NJ (US)
(72) Inventors: **Tinh Nguyen-DeMary**, Whitehouse
Station, NJ (US); **Raymond K. Seto**,
Warren, NJ (US)
(73) Assignee: **Merck Sharp & Dohme, Corp.**,
Rahway, NJ (US)
(**) Term: **15 Years**
(21) Appl. No.: **29/677,013**
(22) Filed: **Jan. 16, 2019**
(51) **LOC (12) Cl.** **09-07**
(52) **U.S. Cl.**
USPC **D9/452; D24/231**
(58) **Field of Classification Search**
USPC D9/414, 415, 432, 434, 435, 443-453,
D9/455-457, 499, 503, 504, 682, 685,
D9/686; D7/387, 391, 392, 392.1, 394,
D7/396.1-396.4, 506, 507, 509-511, 538,
D7/900; D3/202, 203.2, 294, 318;
D28/91, 91.1; D24/127-130, 231
CPC .. A61J 1/00; A61J 1/1412; B65D 1/00; B65D
1/02; B65D 1/10; B65D 1/46; B65D
5/46; B65D 41/00; B65D 41/38; B65D
41/56; B65D 41/62; B65D 47/00; B65D
47/06; B65D 47/08; B65D 2251/00;
B65D 2543/00046; B65D 2543/00092;
B65D 2543/00296; B65D 2585/56; B65D
2585/545
See application file for complete search history.

(56) **References Cited**
U.S. PATENT DOCUMENTS
4,723,672 A * 2/1988 Puma B65D 55/02
215/228
RE33,114 E * 11/1989 Chiavon B25B 13/485
81/121.1

D445,681 S * 7/2001 Kimble D9/434
D561,348 S * 2/2008 Zinger D24/231
D561,587 S * 2/2008 Lin D9/453
D616,090 S * 5/2010 Kawamura D9/452
D616,747 S * 6/2010 Stull D9/452
D642,467 S * 8/2011 Knutson D9/452
D679,592 S * 4/2013 Stull, Sr. D9/452
D679,596 S * 4/2013 Stull, Sr. D9/452
D682,103 S * 5/2013 Jedlicka D9/452
D801,522 S * 10/2017 Ben Shalom D24/129
D836,774 S * 12/2018 Ross D24/127
D848,843 S * 5/2019 Uetsuki D9/452
D858,756 S * 9/2019 Katagiri D24/130
2007/0079894 A1* 4/2007 Kraus A61M 5/32
141/319
2011/0015578 A1* 1/2011 Lowke A61M 5/5086
604/192

(Continued)

Primary Examiner — Wendy L Arminio
(74) *Attorney, Agent, or Firm* — Fenwick & West LLP

(57) **CLAIM**

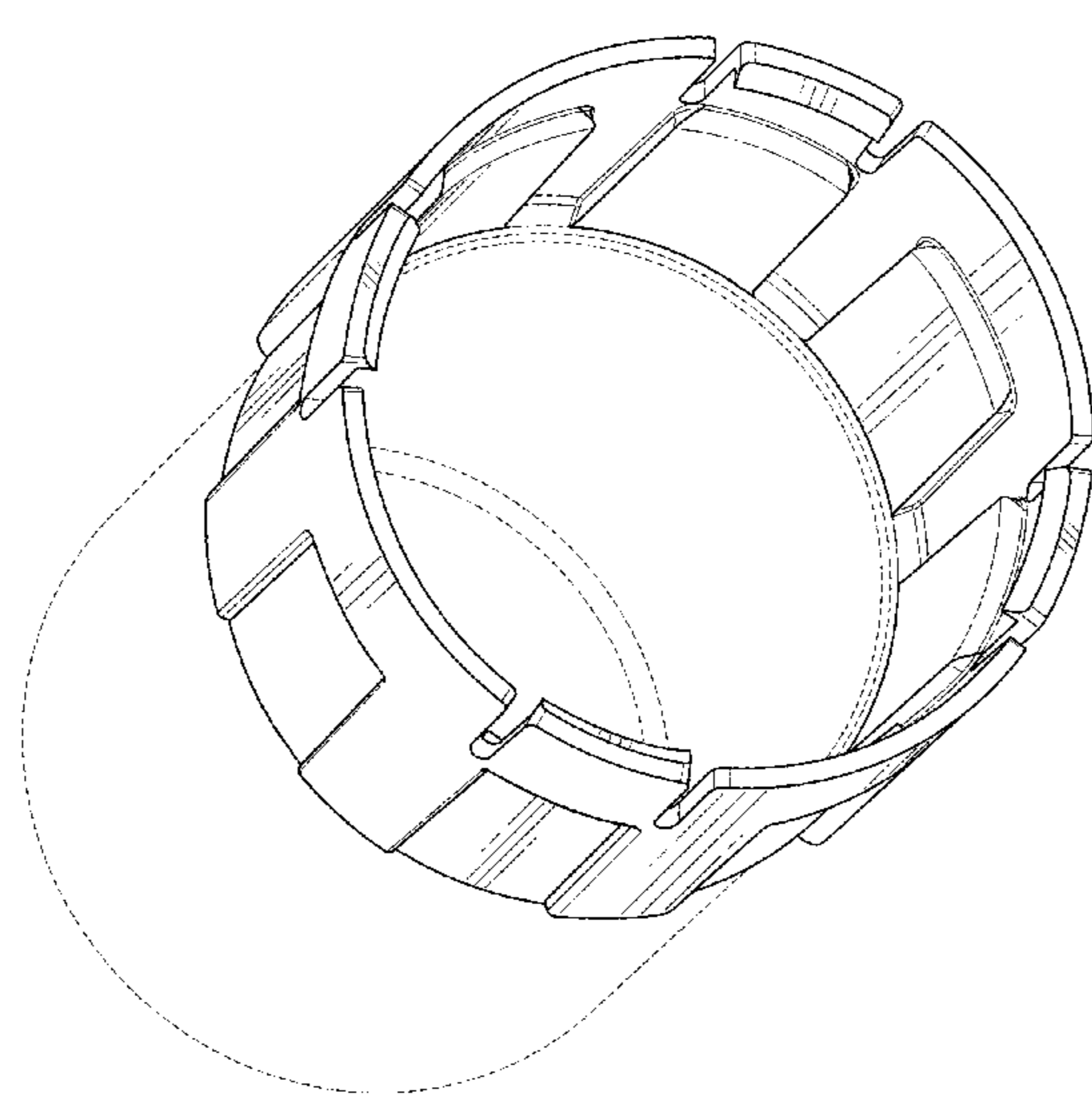
The ornamental design for a tamper-proof cap, as shown and described.

DESCRIPTION

FIG. 1 is a bottom and left perspective view of a tamper-proof cap;
FIG. 2 is a bottom and right perspective view thereof;
FIG. 3 is a front view thereof;
FIG. 4 is a rear view thereof;
FIG. 5 is a left view thereof;
FIG. 6 is a right view thereof;
FIG. 7 is a top view thereof; and,
FIG. 8 is a bottom view thereof.

The broken lines in the drawings illustrate portions of the tamper-proof cap that form no part of the claimed design.

1 Claim, 8 Drawing Sheets



(56)

References Cited

U.S. PATENT DOCUMENTS

2012/0323172 A1* 12/2012 Lev A61J 1/2096
604/87
2012/0323210 A1* 12/2012 Lev A61J 1/2089
604/405

* cited by examiner

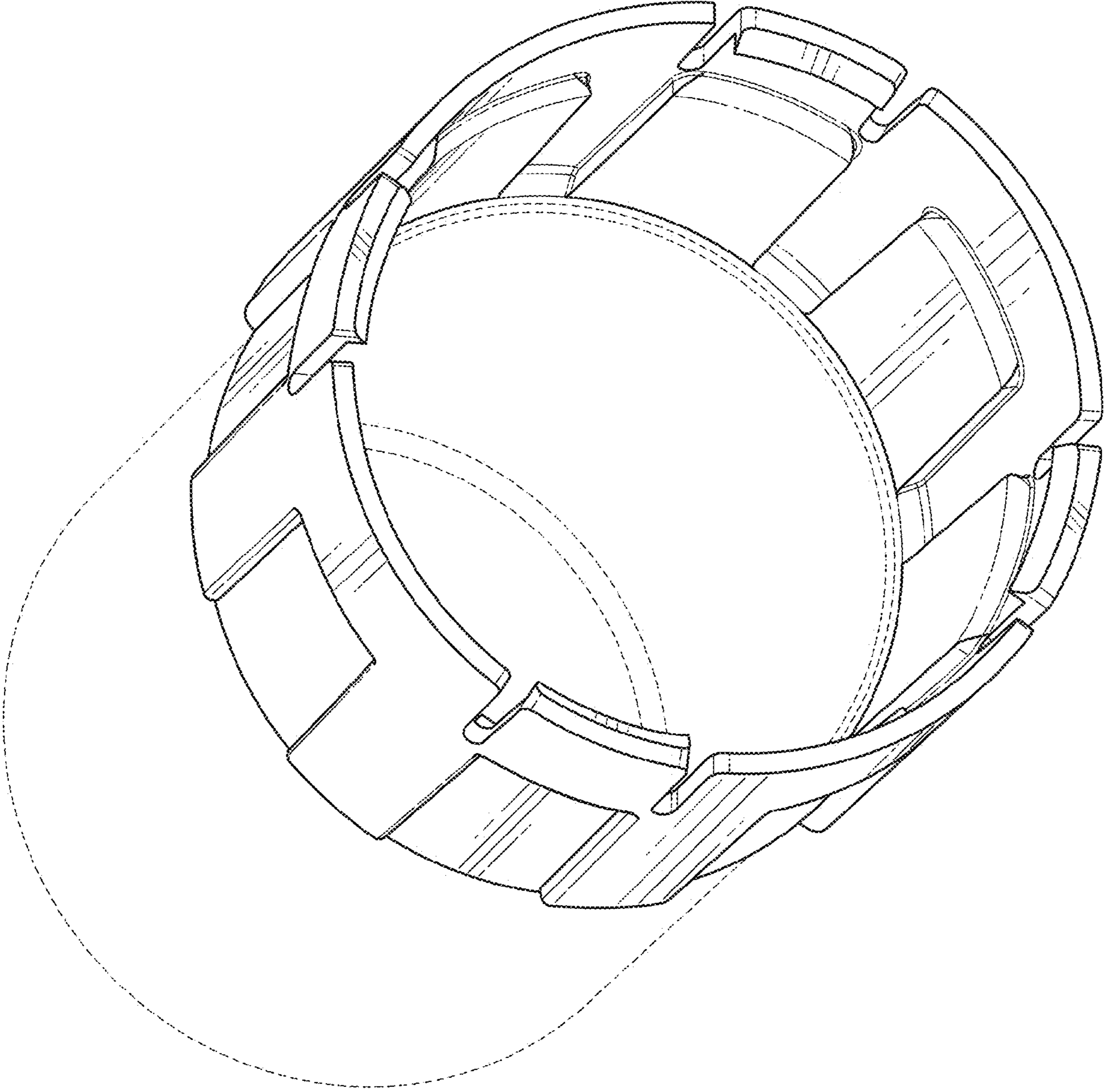


FIG. 1

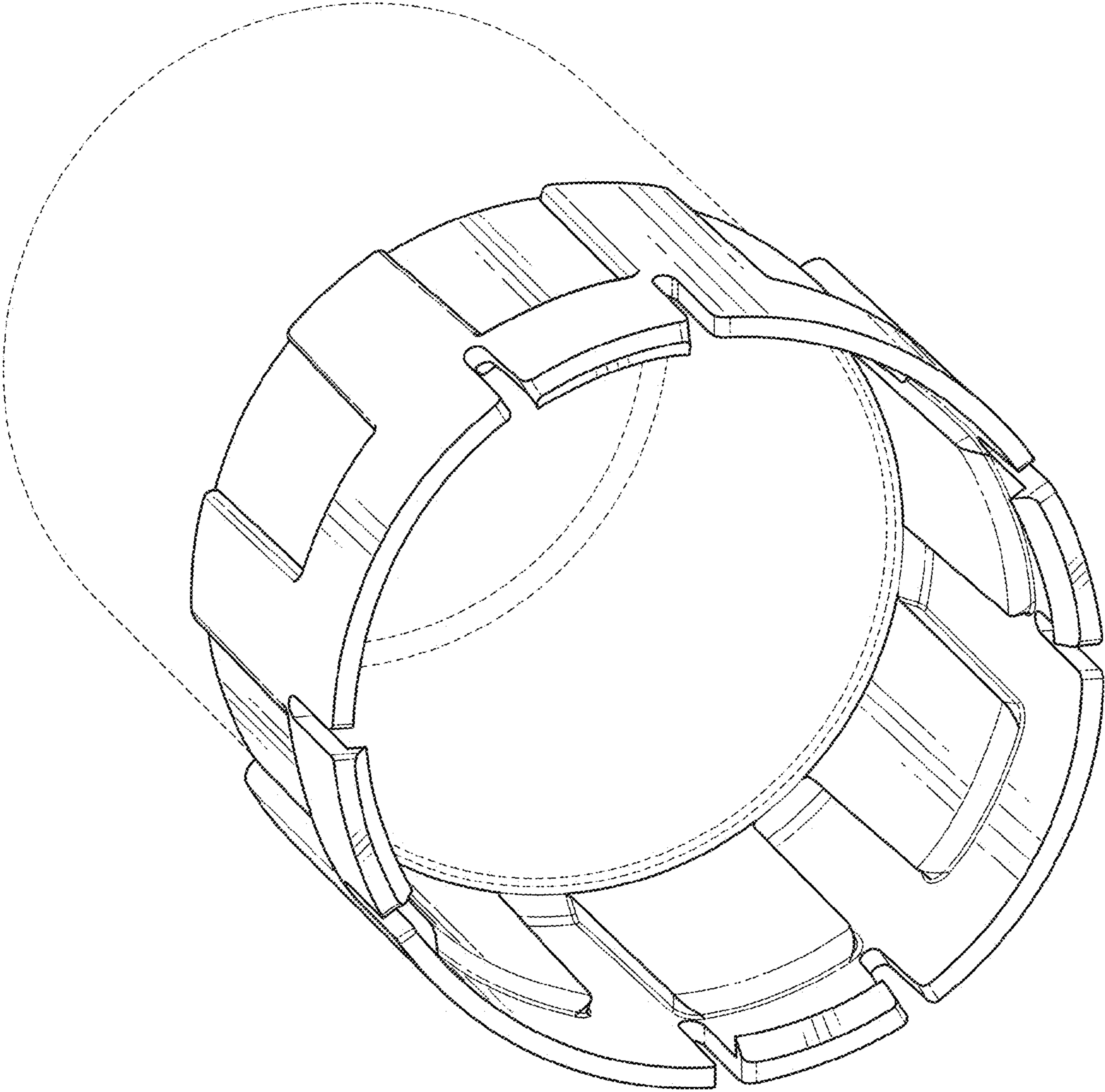


FIG. 2

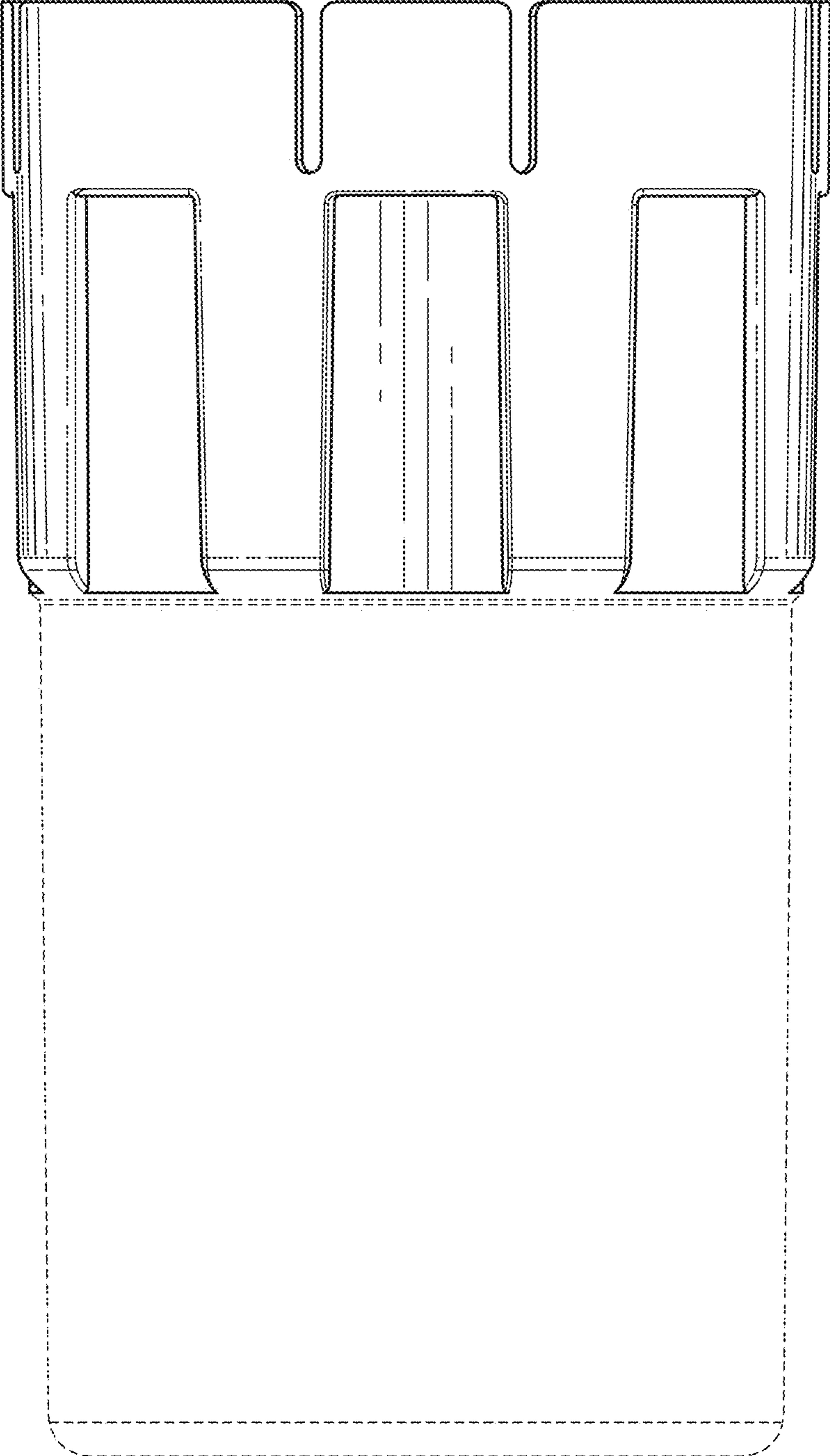


FIG. 3

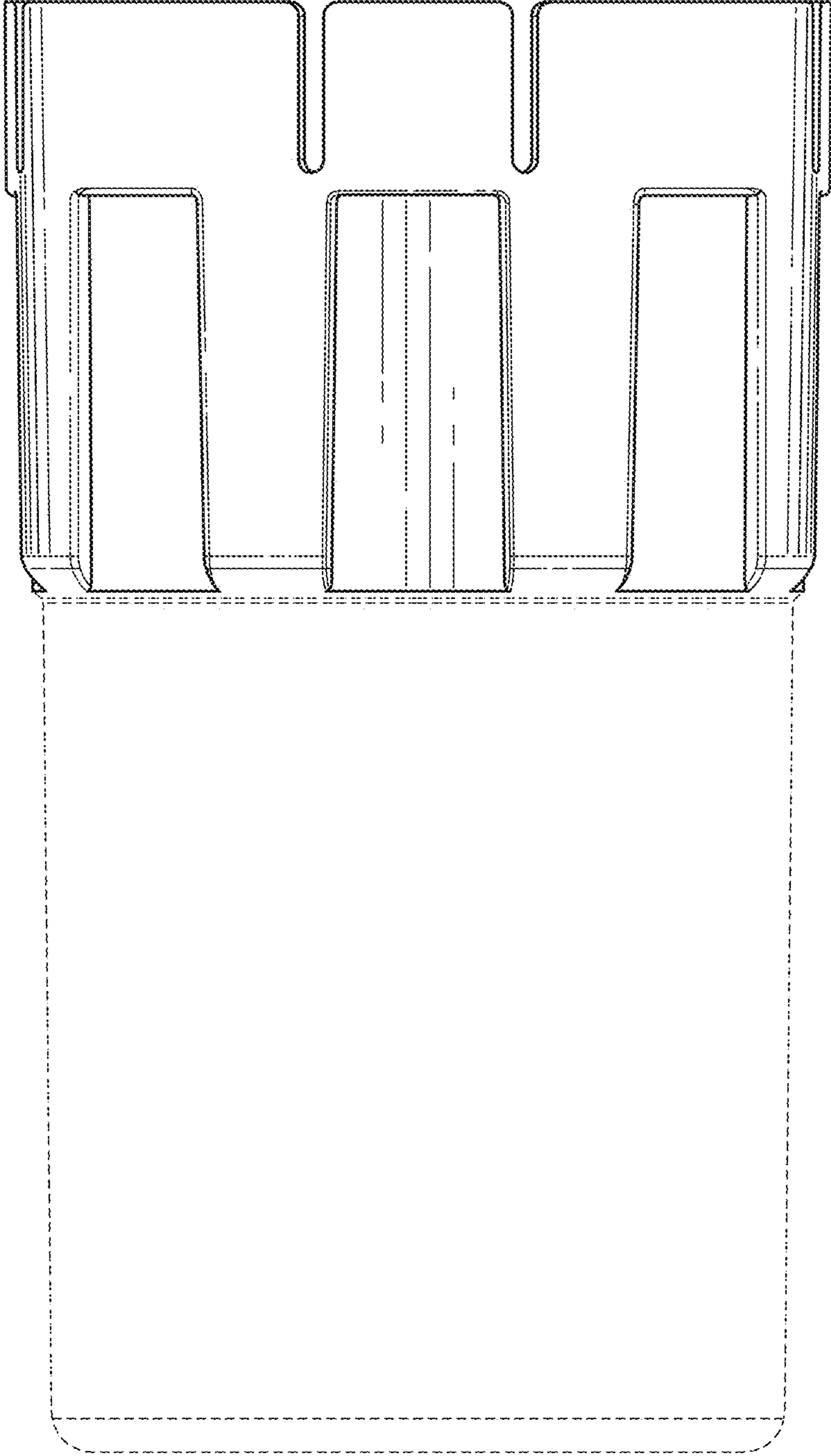


FIG. 4

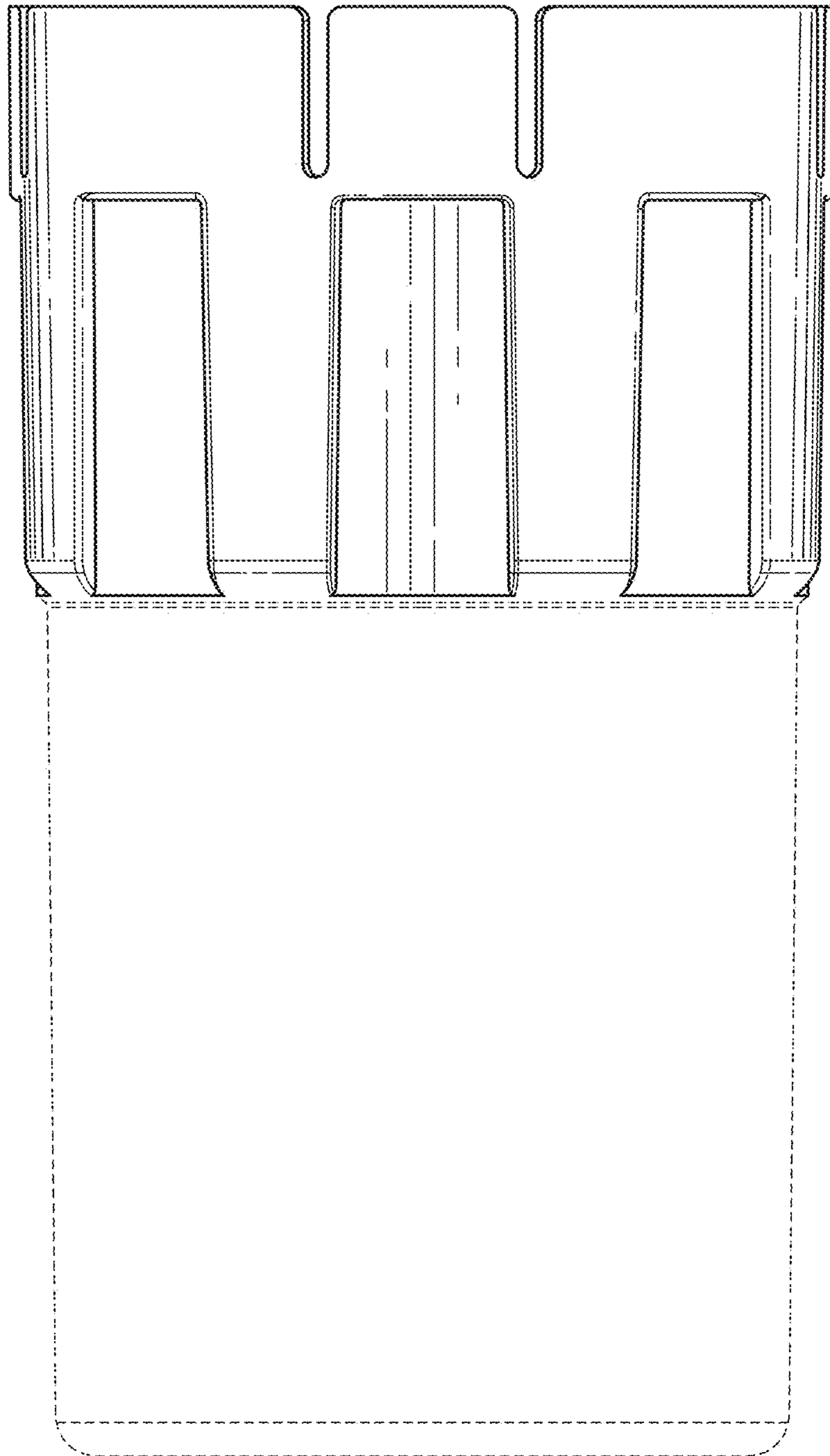


FIG. 5

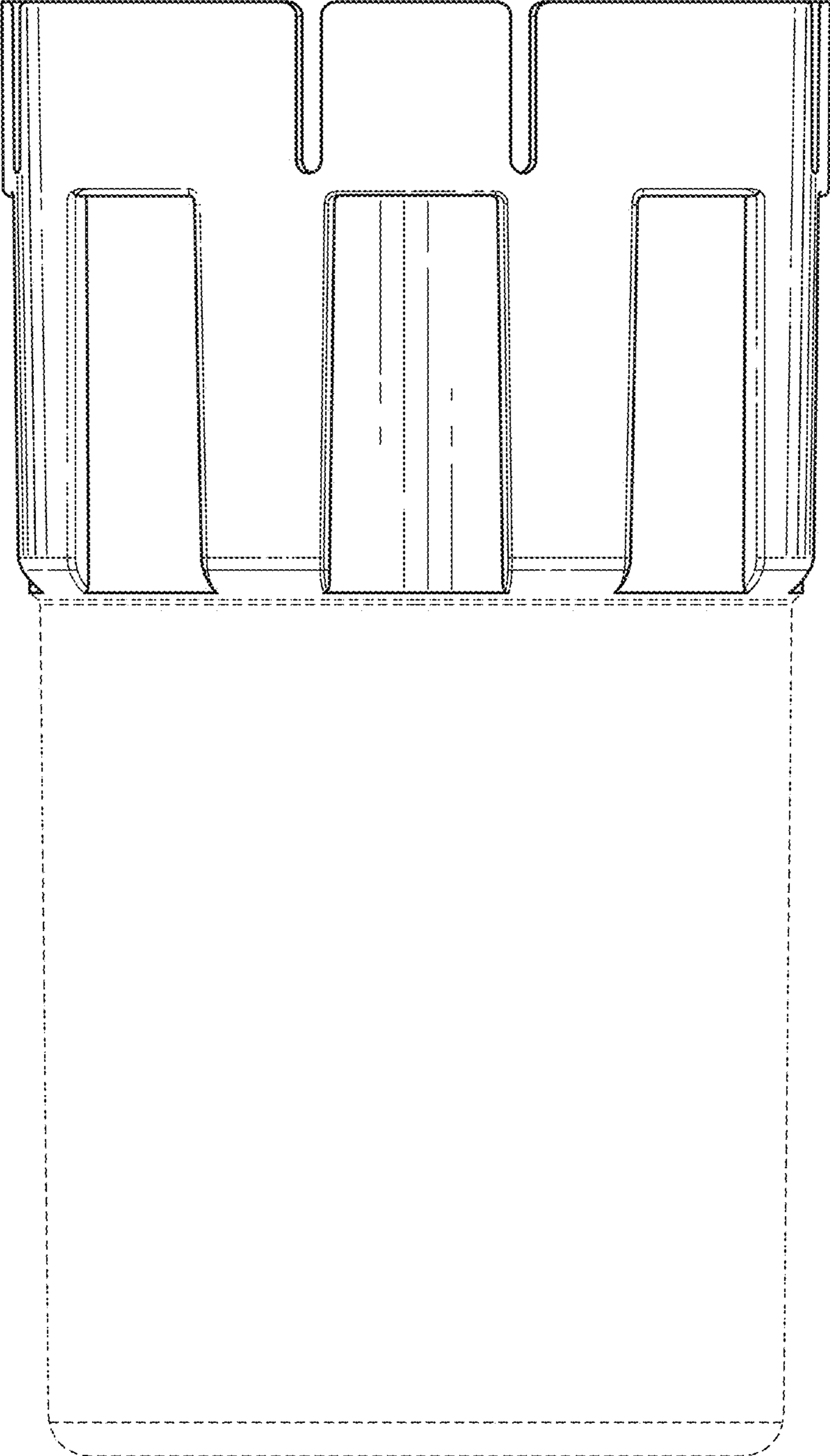


FIG. 6

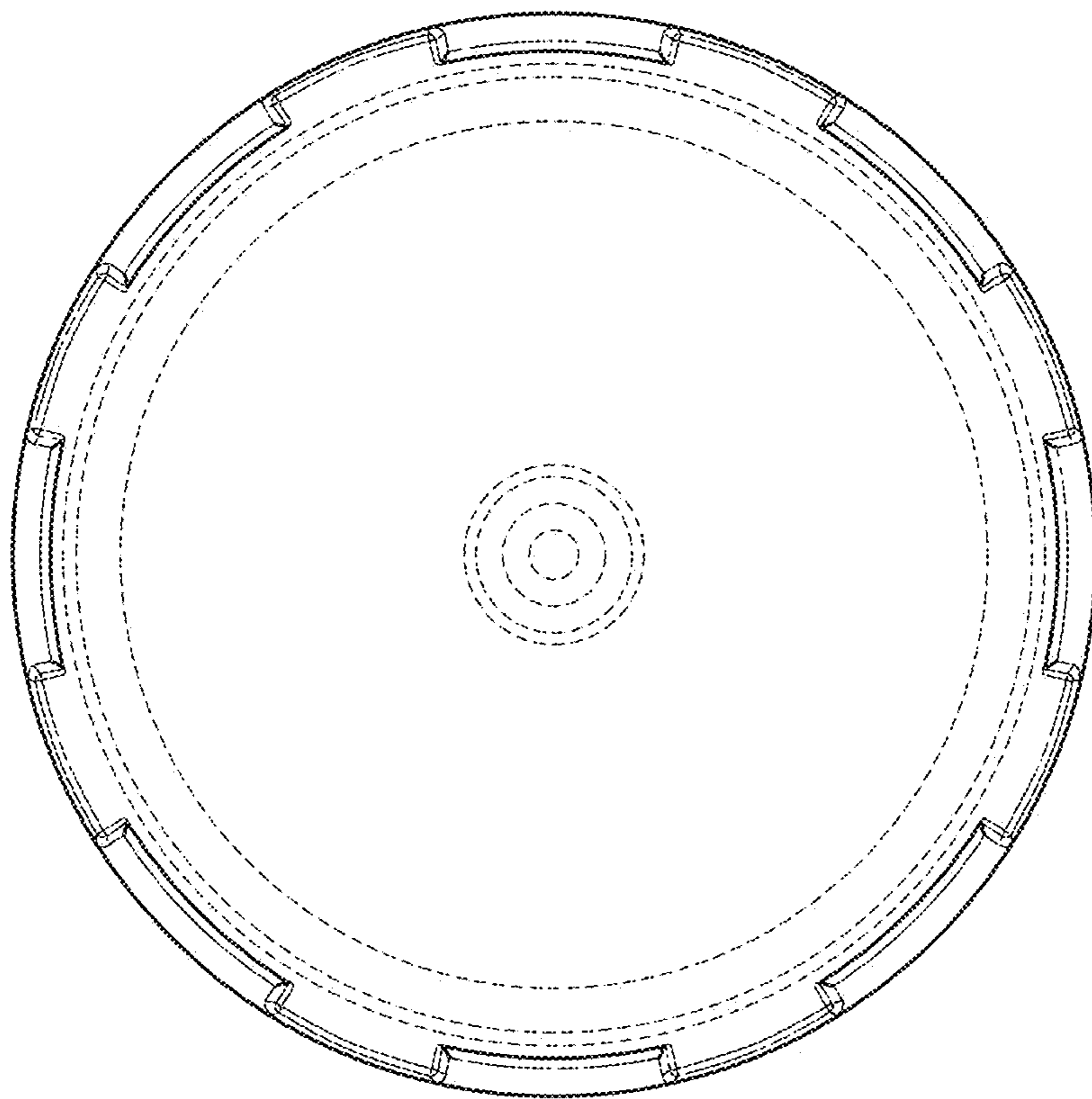


FIG. 7

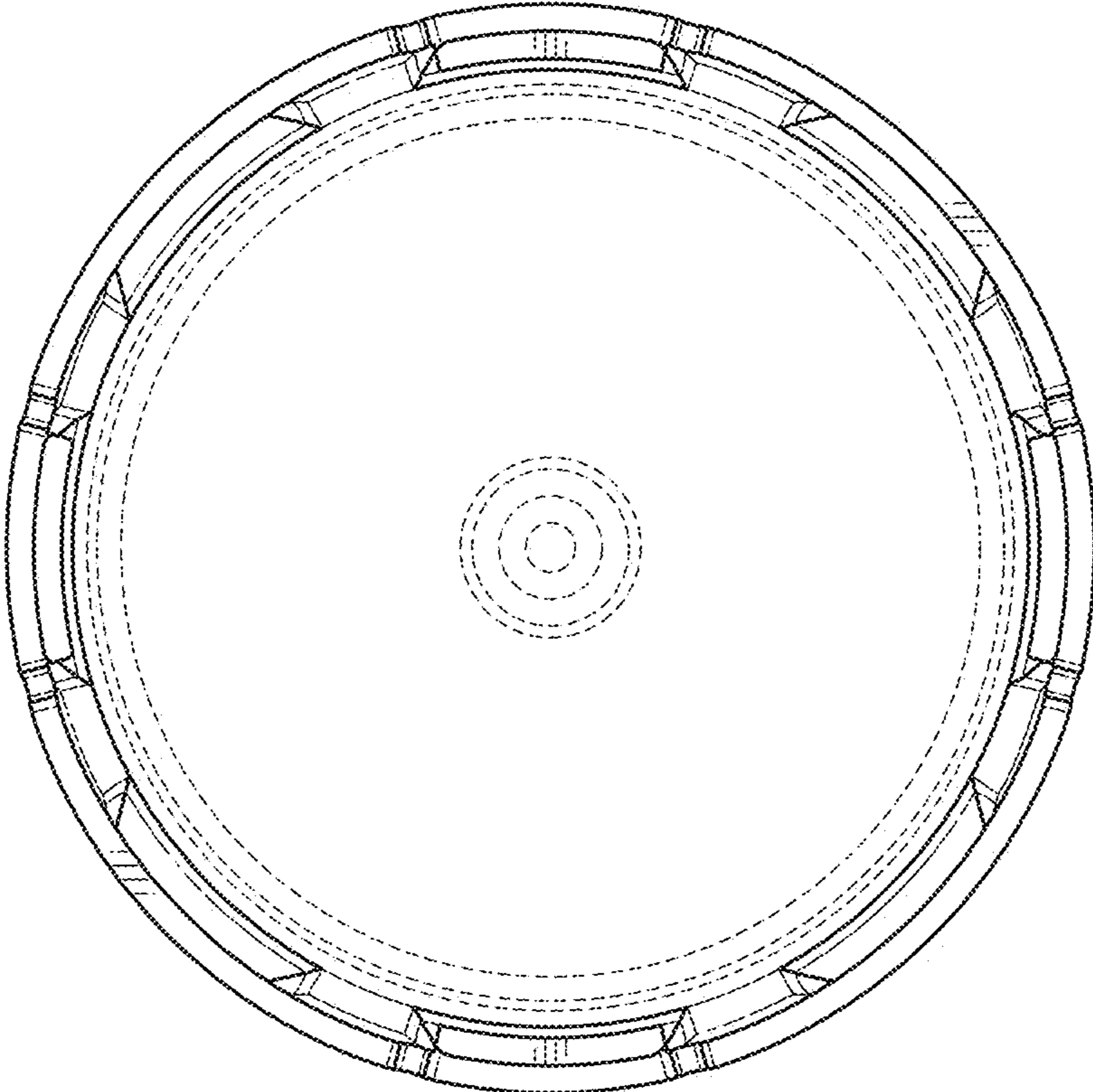


FIG. 8