



US00D896647S

(12) **United States Design Patent** (10) **Patent No.:** **US D896,647 S**  
**Dai** (45) **Date of Patent:** **\*\* Sep. 22, 2020**

(54) **LID**  
(71) Applicant: **ShenZhen YiHong Technology Co., LTD**, ShenZhen, Guangdong (CN)  
(72) Inventor: **Yi Dai**, ShenZhen (CN)  
(73) Assignee: **ShenZhen YiHong Technology Co. LTD**, ShenZhen, Guangdong Province (CN)  
(\*\*) Term: **15 Years**  
(21) Appl. No.: **29/681,369**  
(22) Filed: **Feb. 25, 2019**  
(51) **LOC (12) Cl.** ..... **09-07**  
(52) **U.S. Cl.**  
USPC ..... **D9/449**; D7/392.1  
(58) **Field of Classification Search**  
USPC ..... D7/391, 392.1, 396.2, 629, 601, 602;  
D9/434-436, 499, 439, 443, 447, 449;  
D3/201, 203.1, 203.2, 203.3  
CPC ..... B65D 43/0212; B65D 43/169  
See application file for complete search history.

D869,228 S \* 12/2019 Zhang ..... D7/392.1  
D878,202 S \* 3/2020 Benishai ..... D9/439  
D880,958 S \* 4/2020 Dai ..... D7/629  
D884,473 S \* 5/2020 Tse ..... D9/447  
2012/0164283 A1\* 6/2012 Kissner ..... B65D 43/0212  
426/112

**OTHER PUBLICATIONS**

eBay. 12 Plastic Bin Storage Containers 1 Qt Flip Top Lids Food Safe All Purpose Boxes. No date specified. <https://www.ebay.com/c/19016644392> (Year: 0).\*

\* cited by examiner

*Primary Examiner* — Darcey E Gottschalk  
(74) *Attorney, Agent, or Firm* — iPA & iPM

(57) **CLAIM**

The ornamental design for a lid, as shown and described.

**DESCRIPTION**

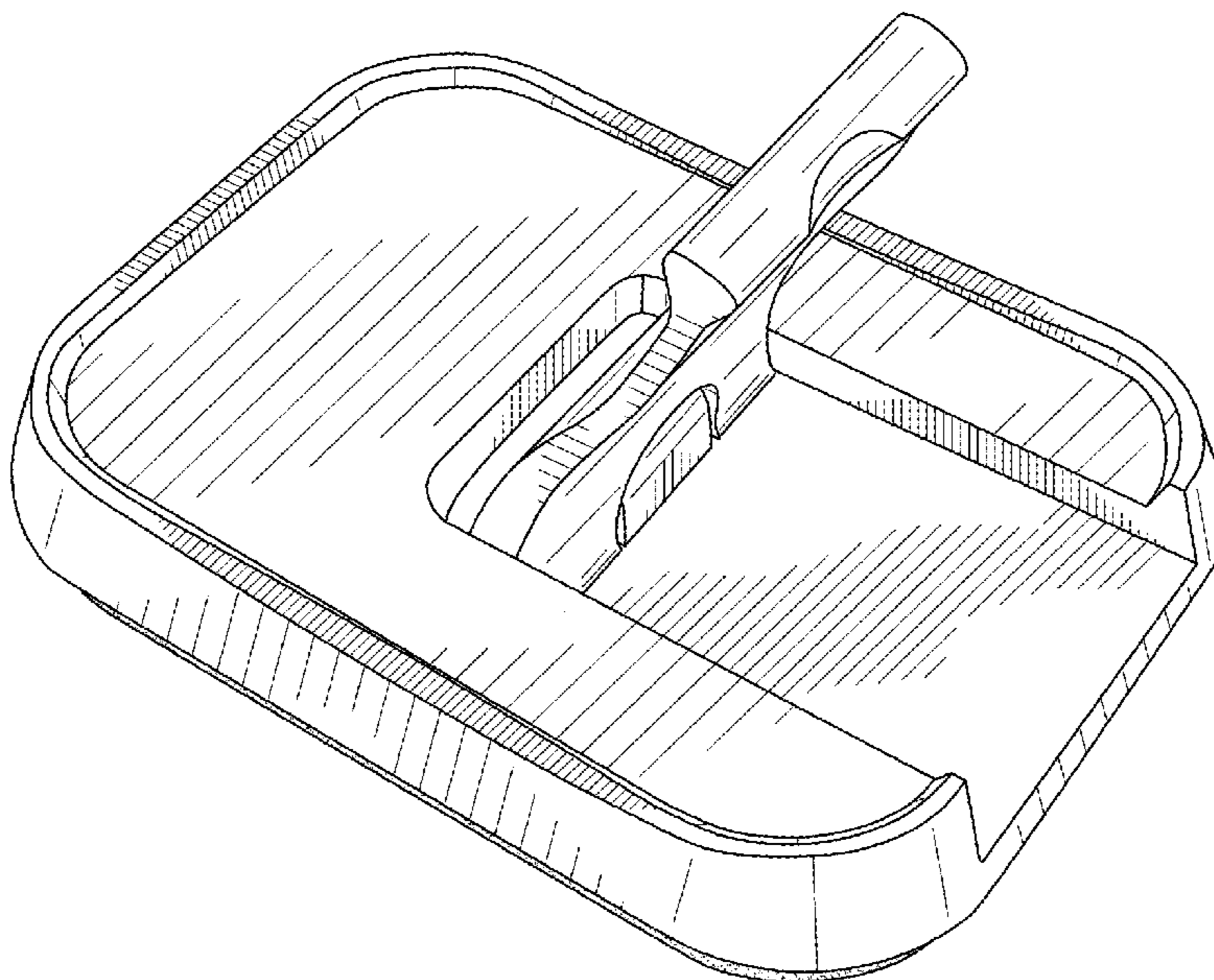
FIG. 1 is a front perspective view from above of a lid showing my new design;  
FIG. 2 is a right side view thereof;  
FIG. 3 is a front view thereof;  
FIG. 4 is a left side view thereof;  
FIG. 5 is a top view thereof;  
FIG. 6 is a back side view thereof;  
FIG. 7 is a bottom view thereof;  
FIG. 8 is a perspective view of the lid in an opened position above a container; and,  
FIG. 9 is a perspective view of the lid in a closed position fitted on top of the container.  
Broken lines in FIG. 7 depict portions of the lid that form no part of the claimed design.  
Broken lines in FIGS. 8 and 9 are for the purpose of illustrating the lid in use, and form no part of the claimed design.

(56) **References Cited**

**U.S. PATENT DOCUMENTS**

4,759,478 A \* 7/1988 Richardson ..... B65D 43/161  
206/508  
5,337,911 A \* 8/1994 Holub ..... A45C 11/20  
220/254.3  
D448,295 S \* 9/2001 Mozes ..... D7/591  
D651,477 S \* 1/2012 Nie  
D760,536 S \* 7/2016 Scevola ..... D7/392.1  
D798,149 S \* 9/2017 Angeloni ..... D9/449  
9,809,356 B2 \* 11/2017 Kissner ..... B65D 43/169  
D828,716 S \* 9/2018 Zhang ..... D7/392.1  
D828,717 S \* 9/2018 Zhang  
D856,064 S \* 8/2019 Baron ..... D7/392

**1 Claim, 5 Drawing Sheets**



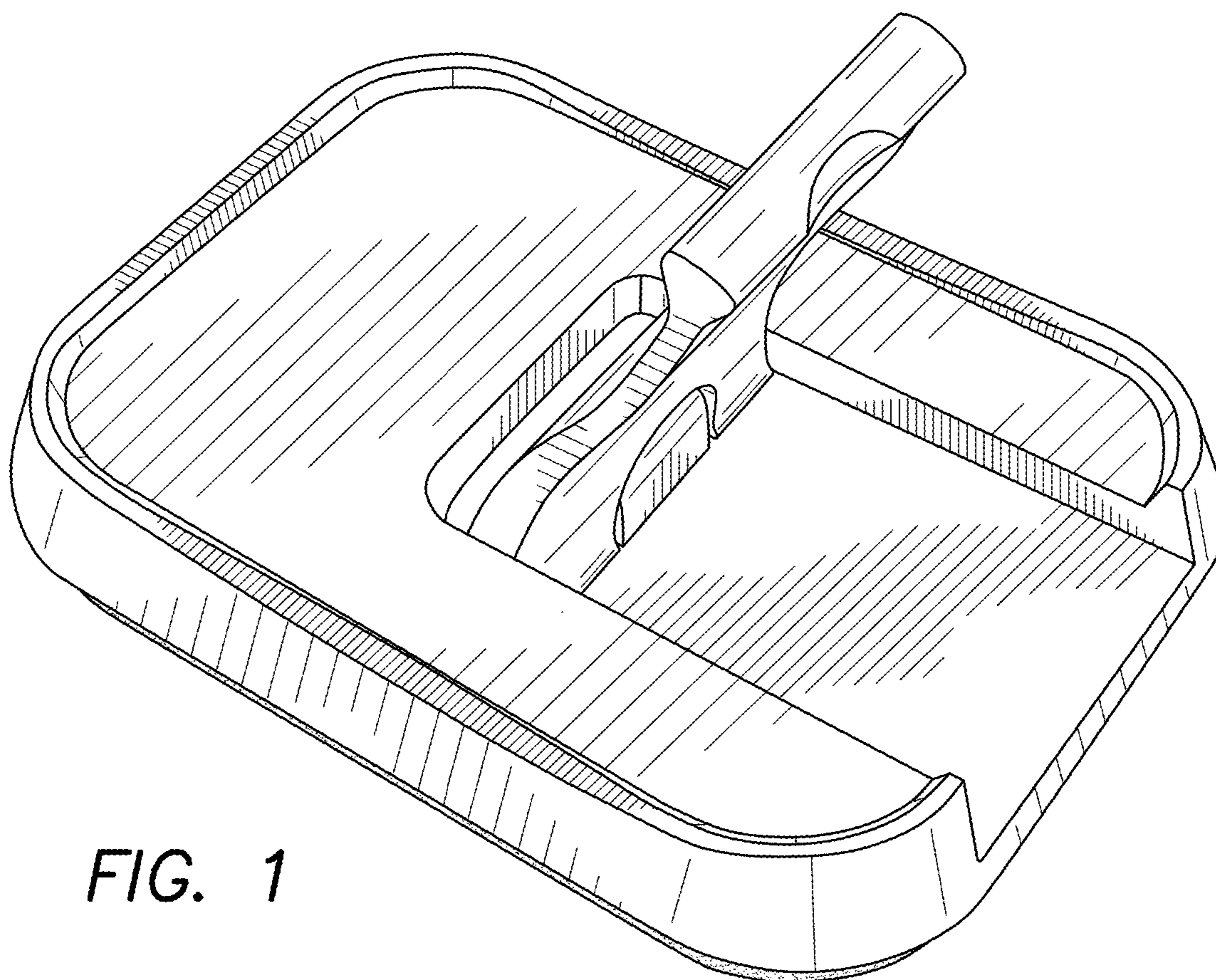


FIG. 1

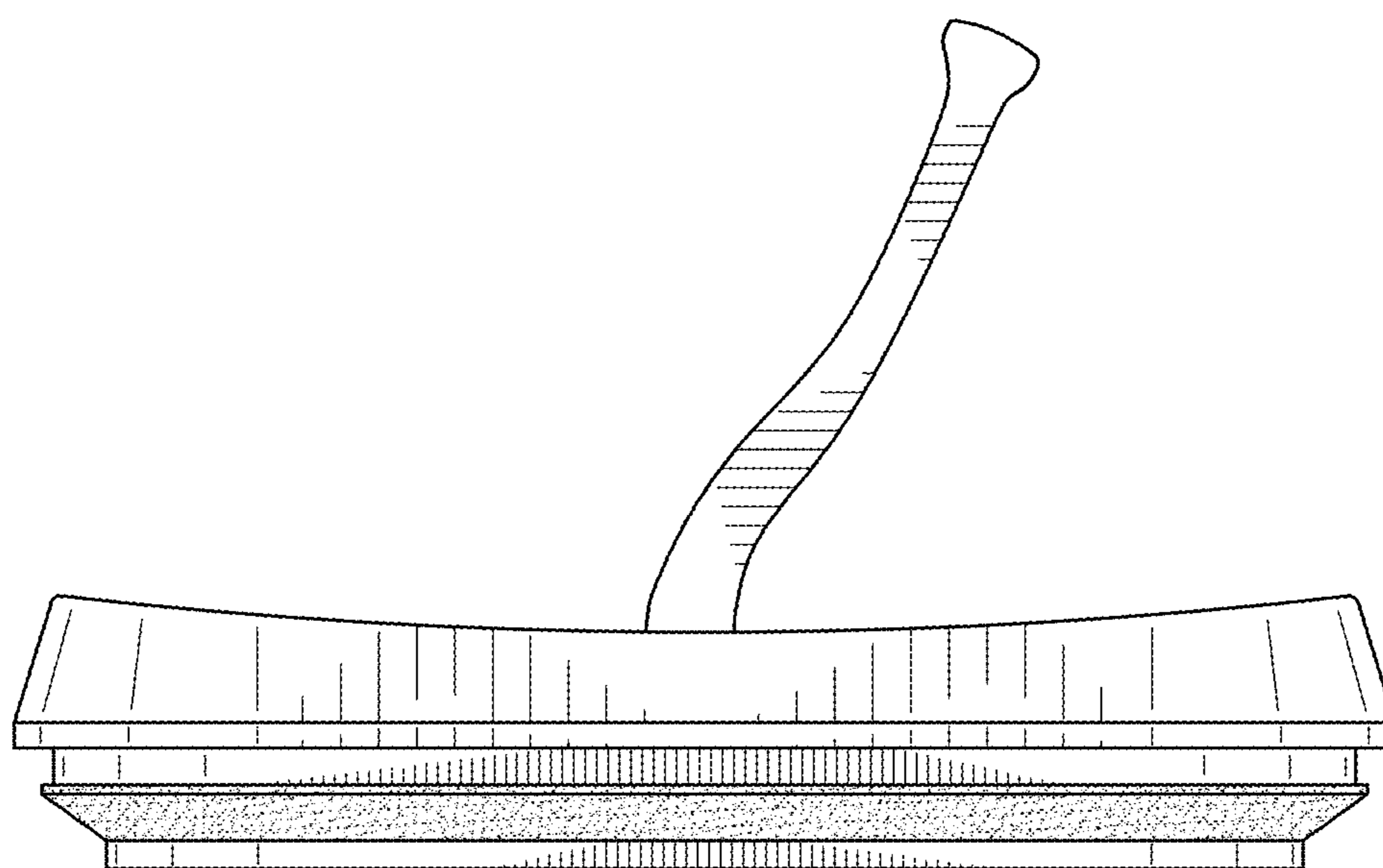


FIG. 2



FIG. 3

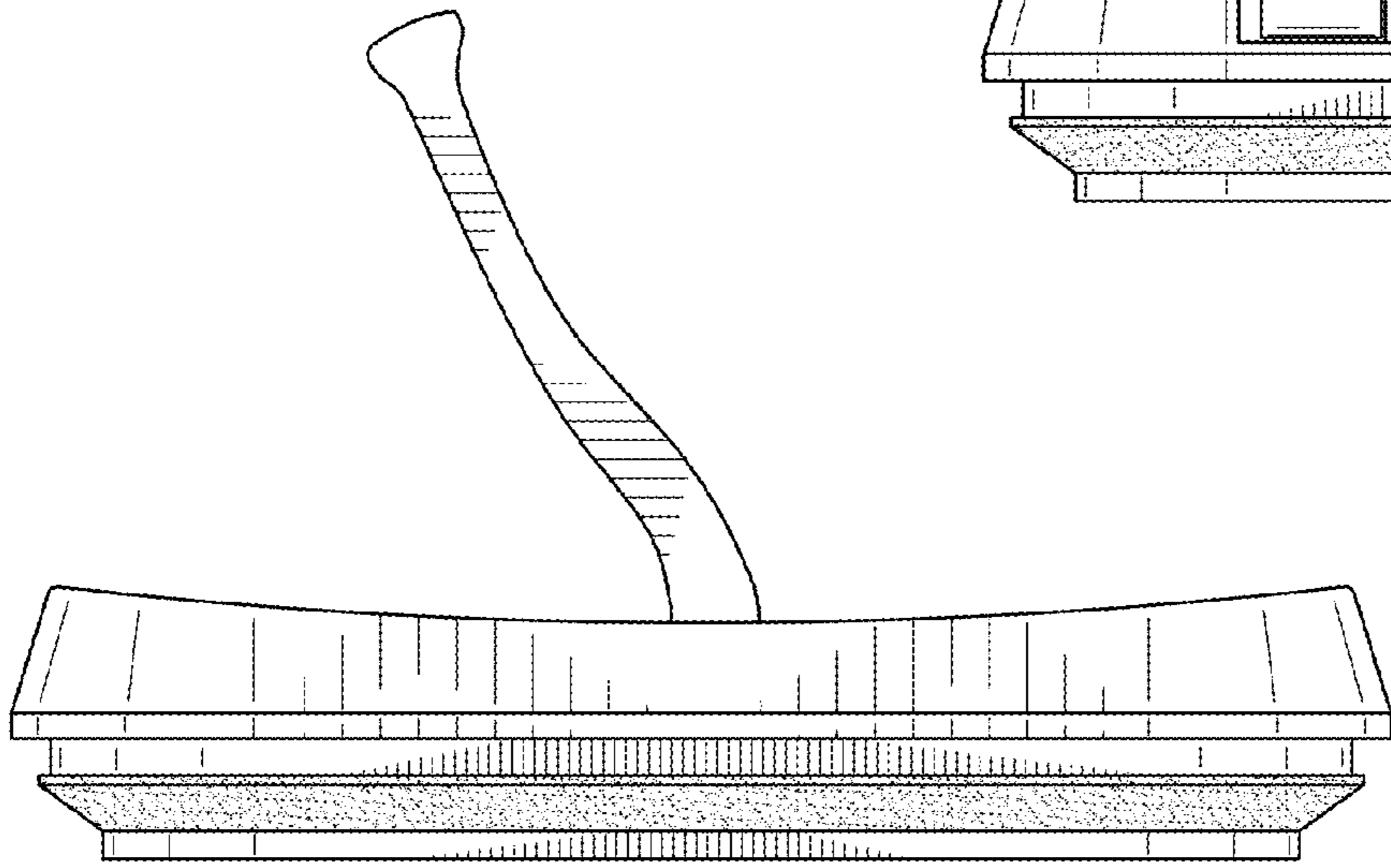
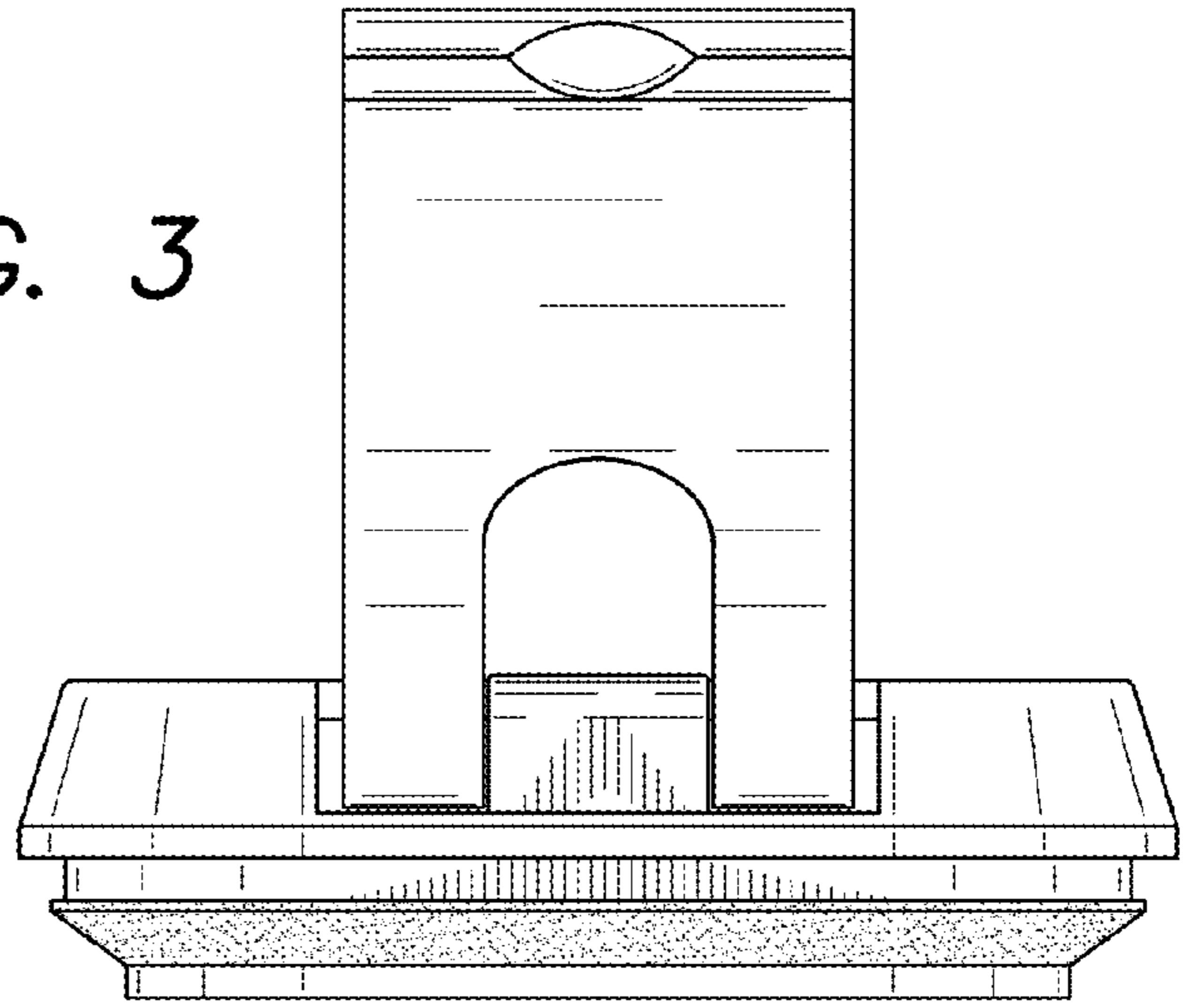
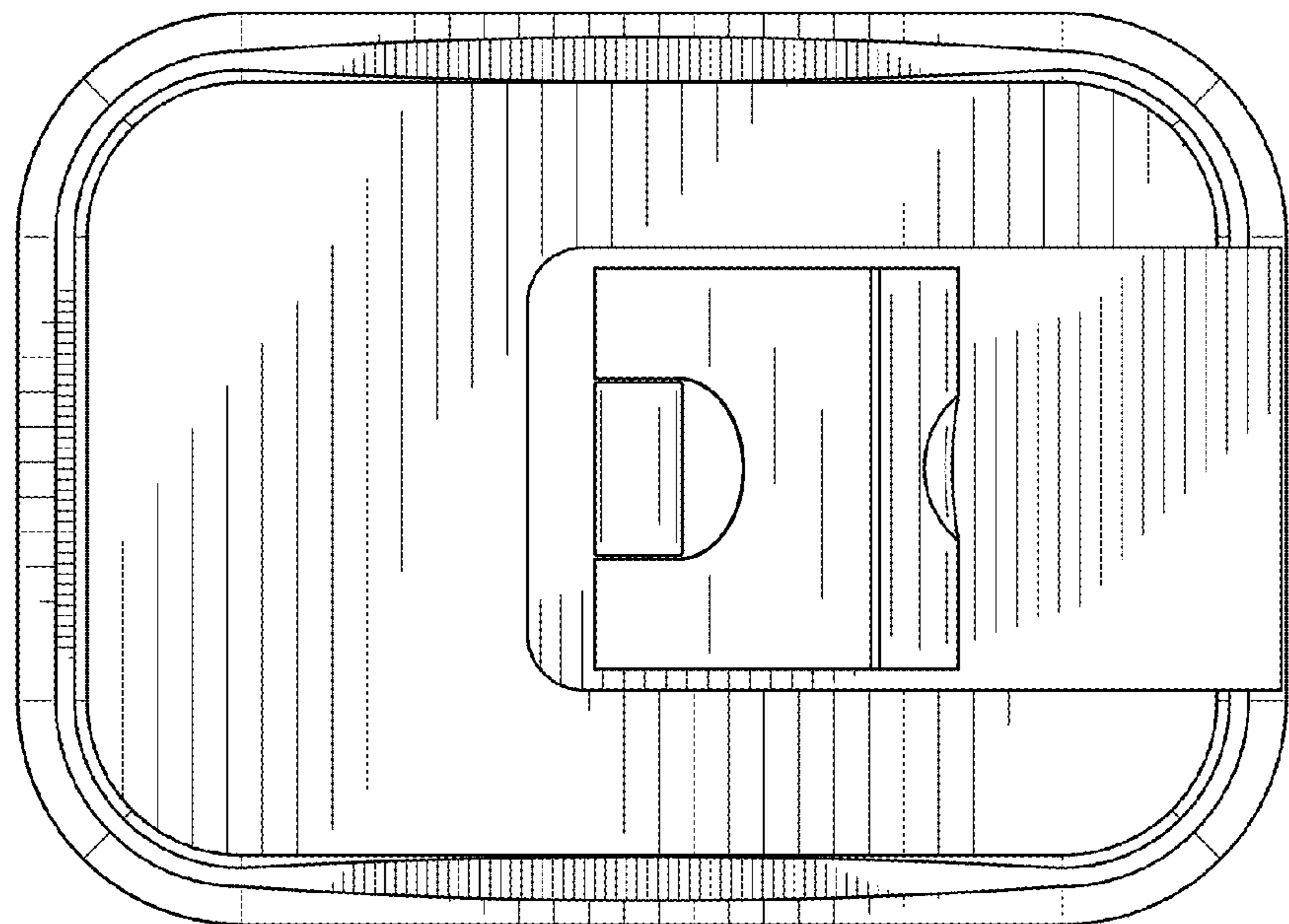


FIG. 4

FIG. 5



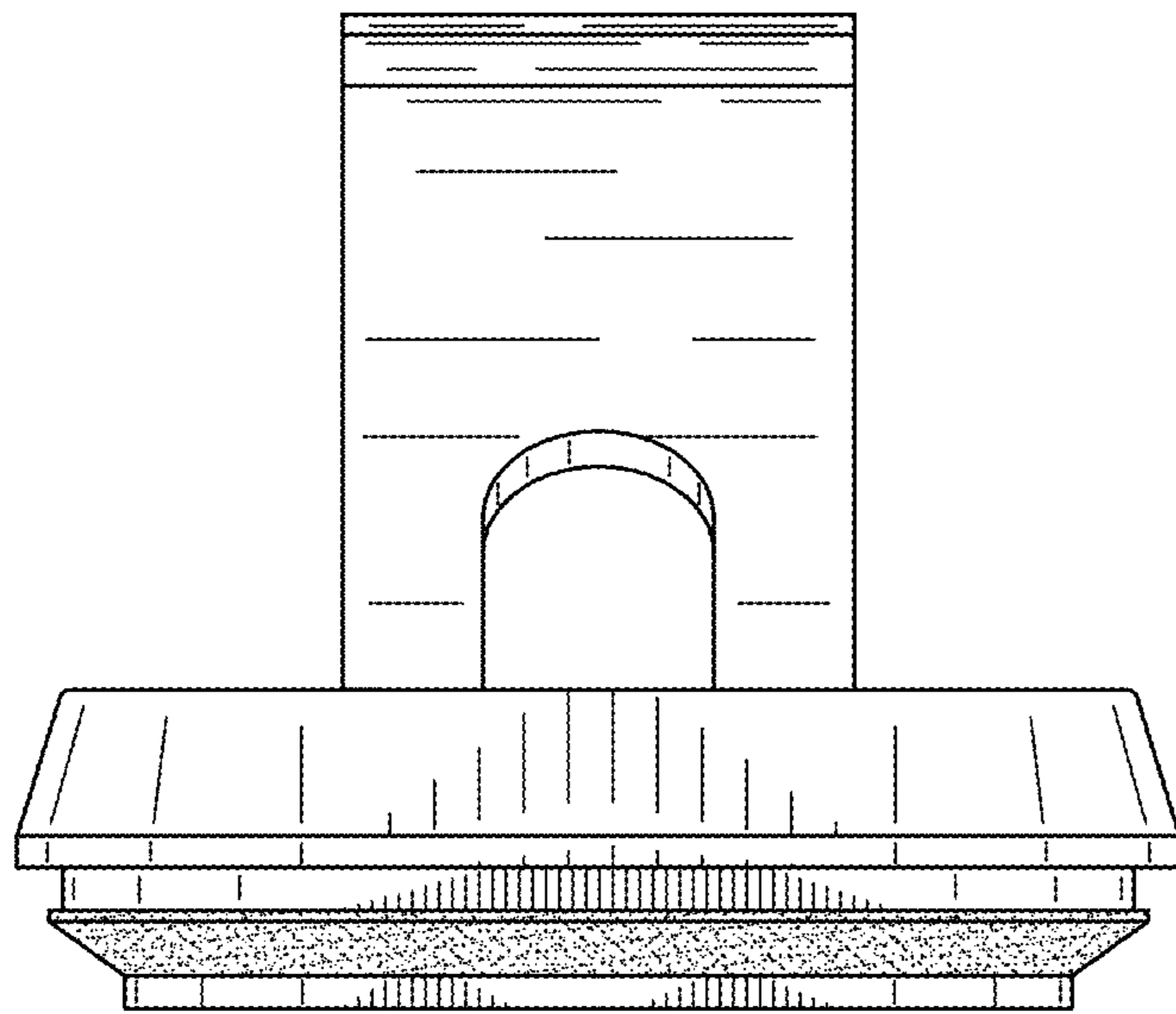


FIG. 6

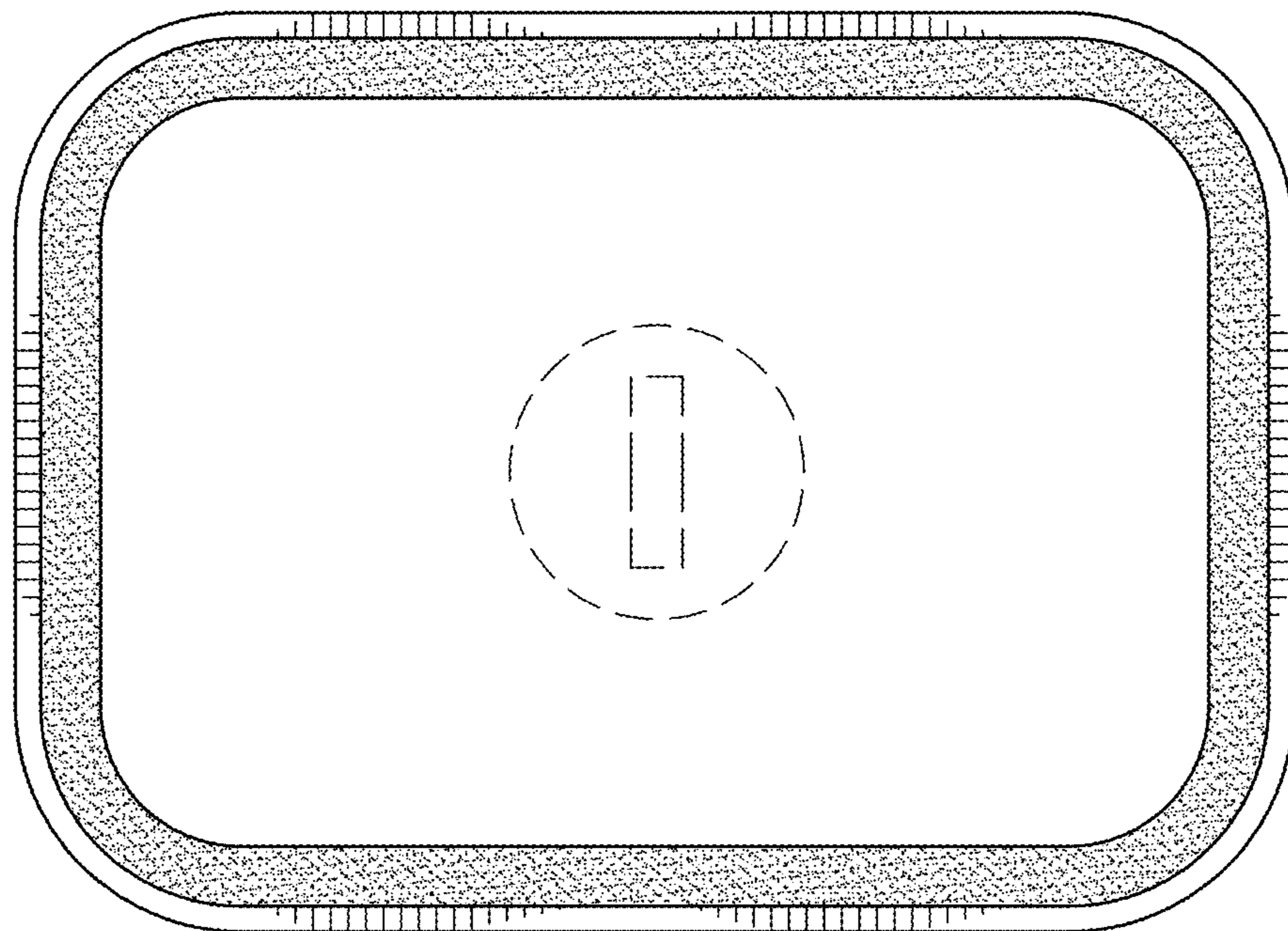


FIG. 7

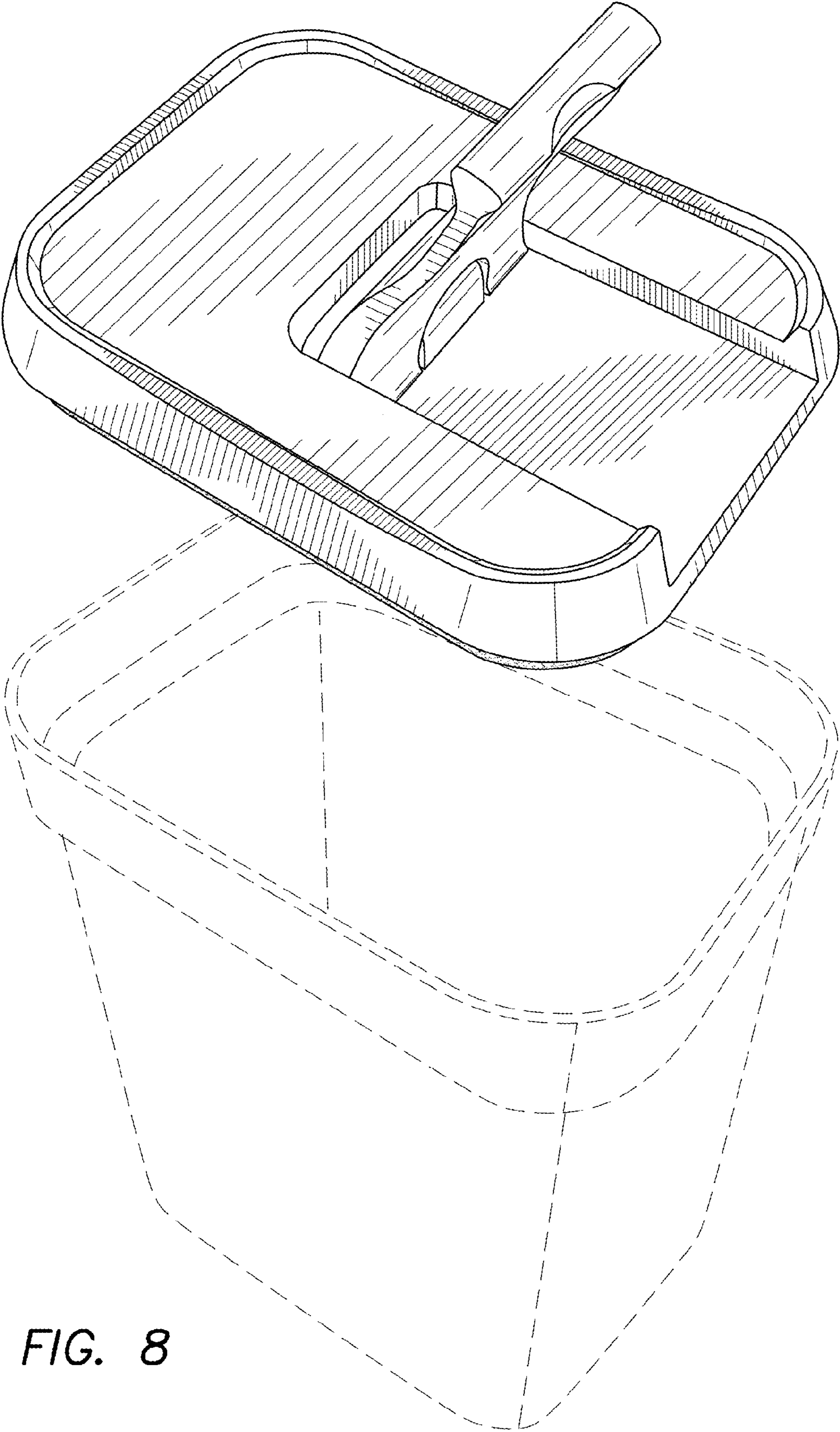


FIG. 8



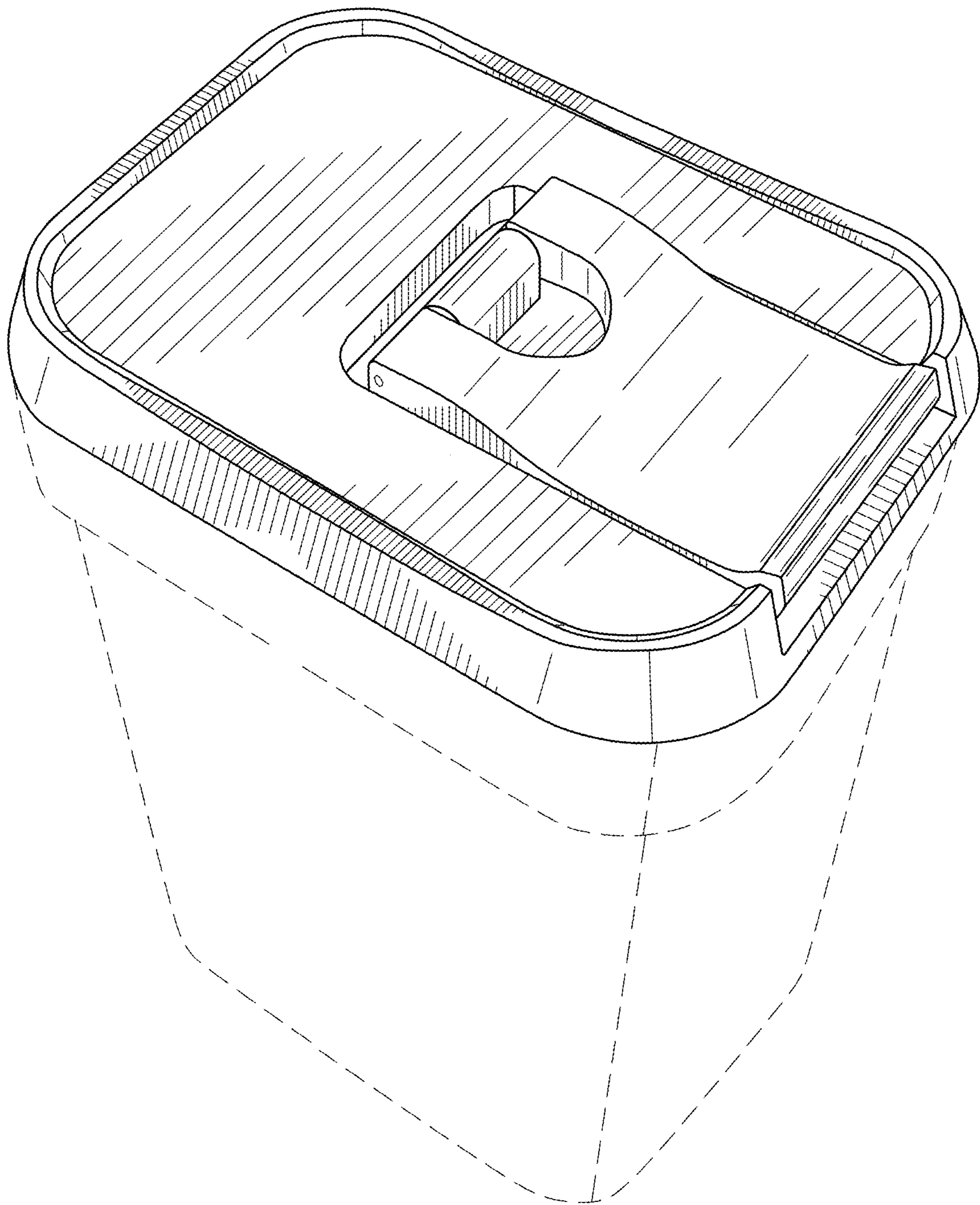


FIG. 9