



US00D896645S

(12) **United States Design Patent** (10) **Patent No.:** **US D896,645 S**
Borel (45) **Date of Patent:** **** Sep. 22, 2020**

(54) **AEROSOL ACTUATOR**
(71) Applicant: **Lindal France SAS**, Val-de-Briey (FR)
(72) Inventor: **Bernard Borel**, Mancieulles (FR)
(73) Assignee: **Lindal France SAS**, Val-de-Briey (FR)
(**) Term: **15 Years**
(21) Appl. No.: **29/678,084**
(22) Filed: **Jan. 25, 2019**
(30) **Foreign Application Priority Data**
Nov. 8, 2018 (EM) 005820693

(51) **LOC (12) Cl.** **09-07**
(52) **U.S. Cl.**
USPC **D9/448**

(58) **Field of Classification Search**
USPC D9/414, 415, 432, 434, 435, 443-453,
D9/455-457, 499, 503, 504, 682, 685,
D9/686; D7/387, 391, 392, 392.1, 394,
D7/396.1-396.4, 506, 507, 509-511, 538,
D7/900; D3/202, 203.2, 294, 318;
D28/91, 91.1
CPC .. A61J 1/00; A61J 1/1412; B65D 1/00; B65D
1/02; B65D 1/10; B65D 1/46; B65D
5/46; B65D 41/00; B65D 41/38; B65D
41/56; B65D 41/62; B65D 47/00; B65D
47/06; B65D 47/08; B65D 2251/00;
B65D 2543/00046; B65D 2543/00092;
B65D 2543/00296; B65D 2585/56; B65D
2585/545
See application file for complete search history.

(56) **References Cited**
U.S. PATENT DOCUMENTS
D234,123 S * 1/1975 Ragagli D9/447
D364,811 S * 12/1995 Zimmerhackel D9/448

D390,785 S * 2/1998 Saunders D9/523
D398,233 S * 9/1998 Wood D9/447
D398,813 S * 9/1998 Franzese D7/396.1
D402,890 S * 12/1998 Guillemot D9/448
D406,239 S * 3/1999 Guillemot D9/448
D406,240 S * 3/1999 Guillemot D9/448
D420,287 S * 2/2000 Coppola D9/447
D513,995 S * 1/2006 Miwa D9/682
D523,749 S * 6/2006 Kolanus D9/448
D599,902 S * 9/2009 Lilienthal D24/110
D601,894 S * 10/2009 Cho D9/447
D607,992 S * 1/2010 Lilienthal D24/110
D712,741 S * 9/2014 Vukelic D9/435
D713,671 S * 9/2014 De Leo D7/392.1
D737,951 S * 9/2015 Lindsay D24/108
D761,951 S * 7/2016 Djupesland D24/110
D821,567 S * 6/2018 Feldman D24/108
D824,762 S * 8/2018 Huang D9/447
D873,136 S * 1/2020 Sima D9/447

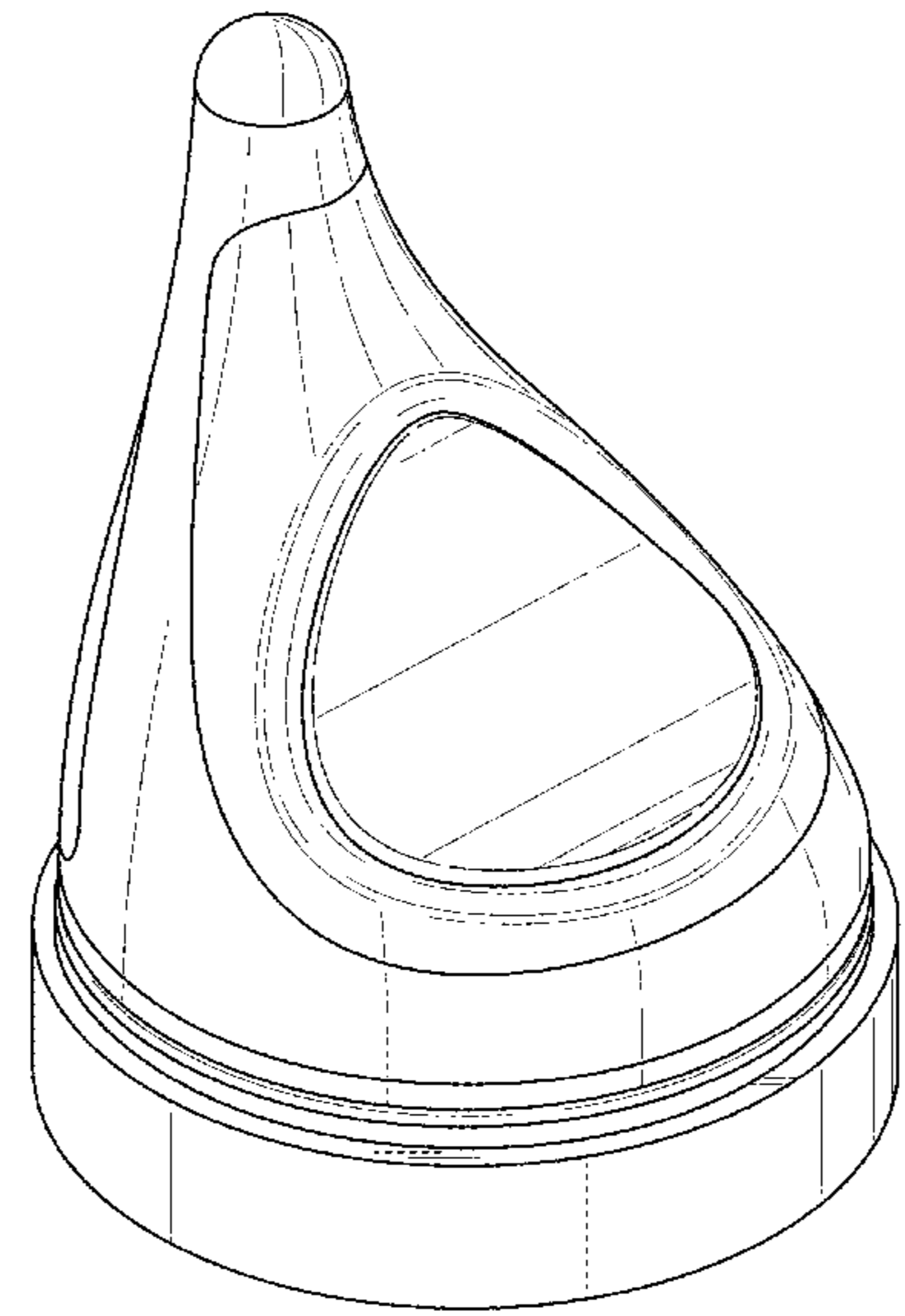
(Continued)

Primary Examiner — Wendy L Arminio
(74) *Attorney, Agent, or Firm* — Collard & Roe, P.C.

(57) **CLAIM**
The ornamental design for an aerosol actuator, as shown and described.

DESCRIPTION
FIG. 1 is a front, left side and top perspective view of an aerosol actuator, showing my new design;
FIG. 2 is a front view thereof;
FIG. 3 is a left side view thereof;
FIG. 4 is a right side view thereof;
FIG. 5 is a rear view thereof;
FIG. 6 is a top view thereof; and,
FIG. 7 is a bottom view thereof.
The broken line and the region shown within it depict portions of the aerosol actuator that forms no part of the claimed design.

1 Claim, 6 Drawing Sheets



(56)

References Cited

U.S. PATENT DOCUMENTS

2015/0014368 A1* 1/2015 Greiner-Perth A61M 15/009
222/402.13
2017/0266396 A1* 9/2017 Feldman A61M 11/006

* cited by examiner

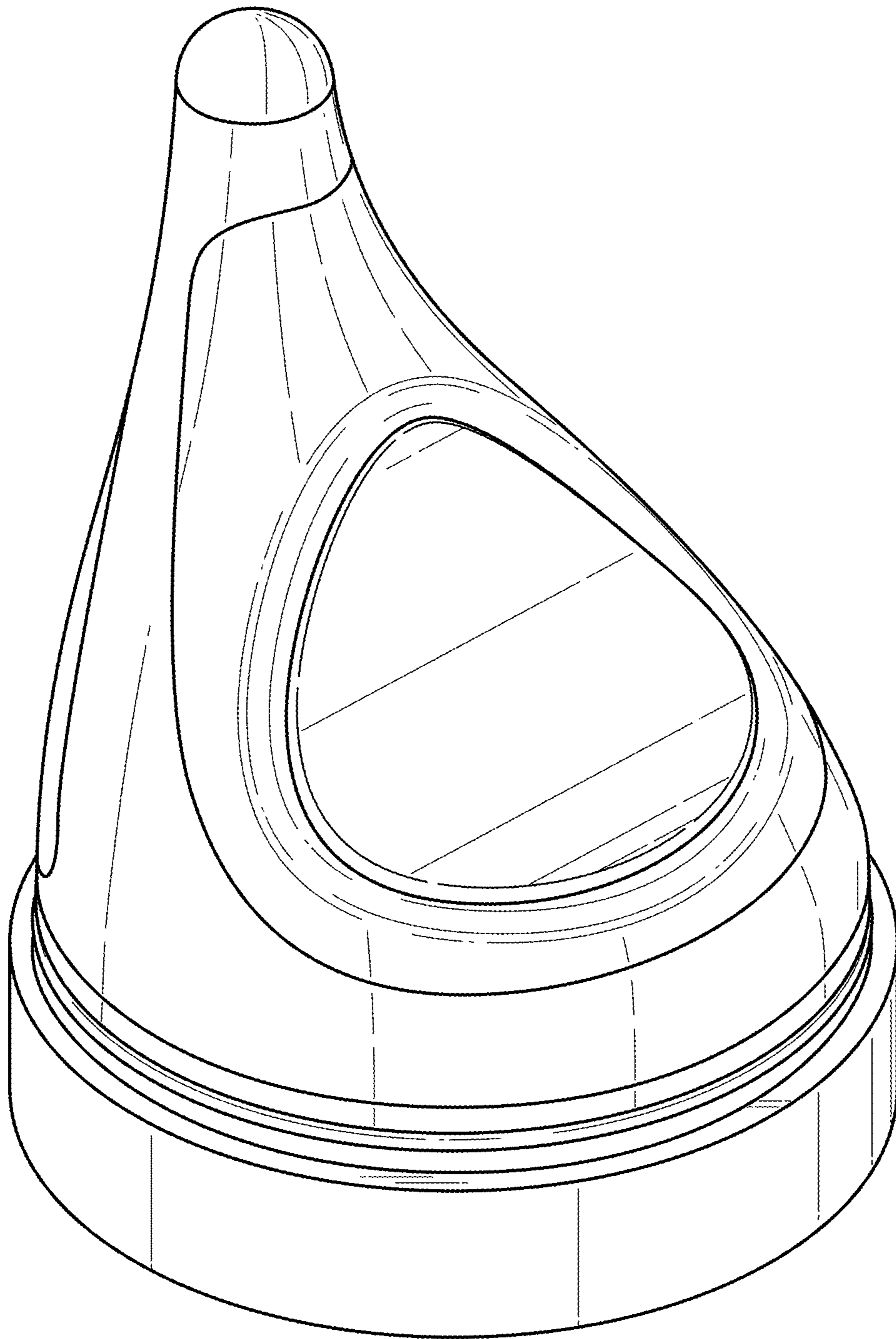


FIG. 1

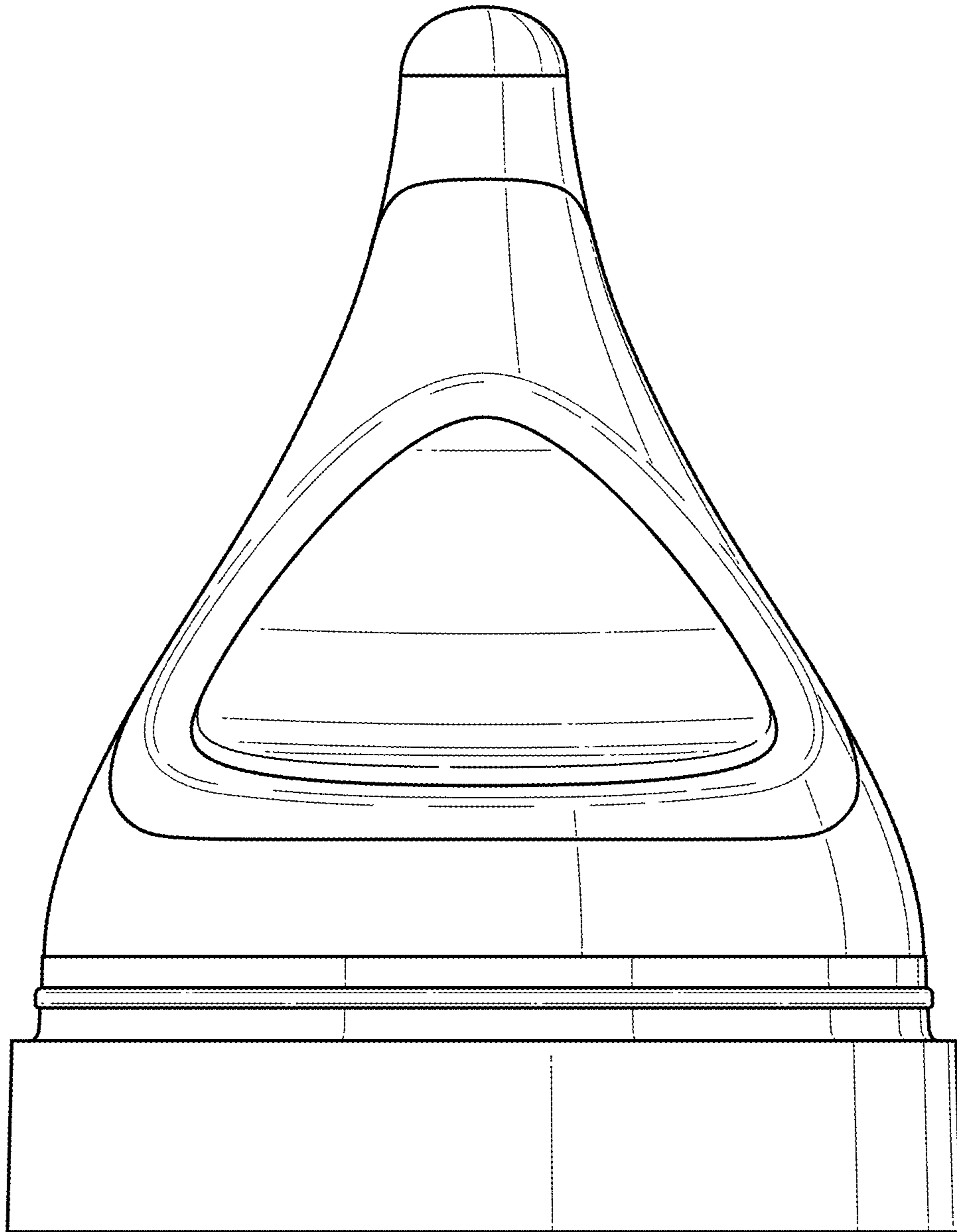


FIG. 2

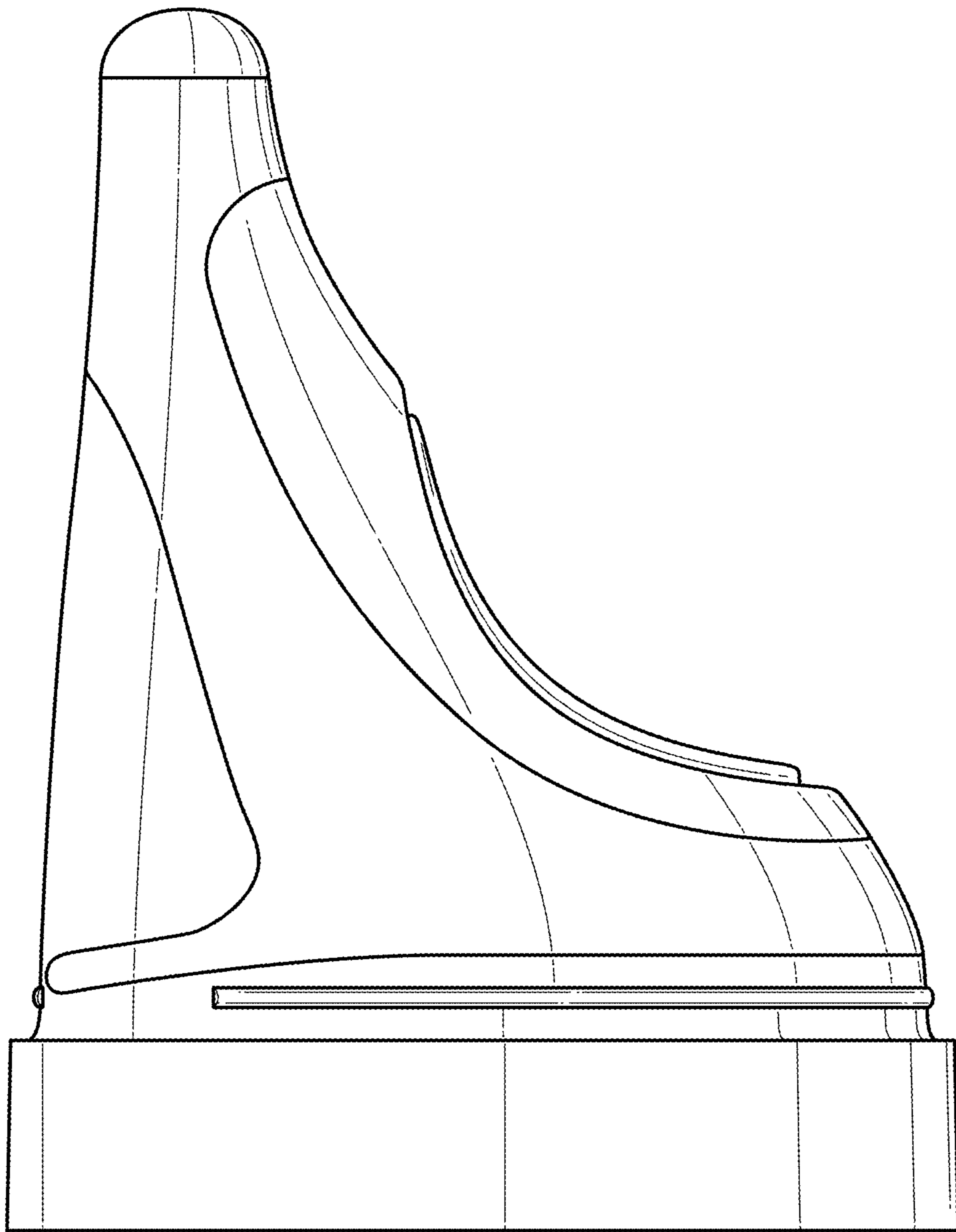


FIG. 3

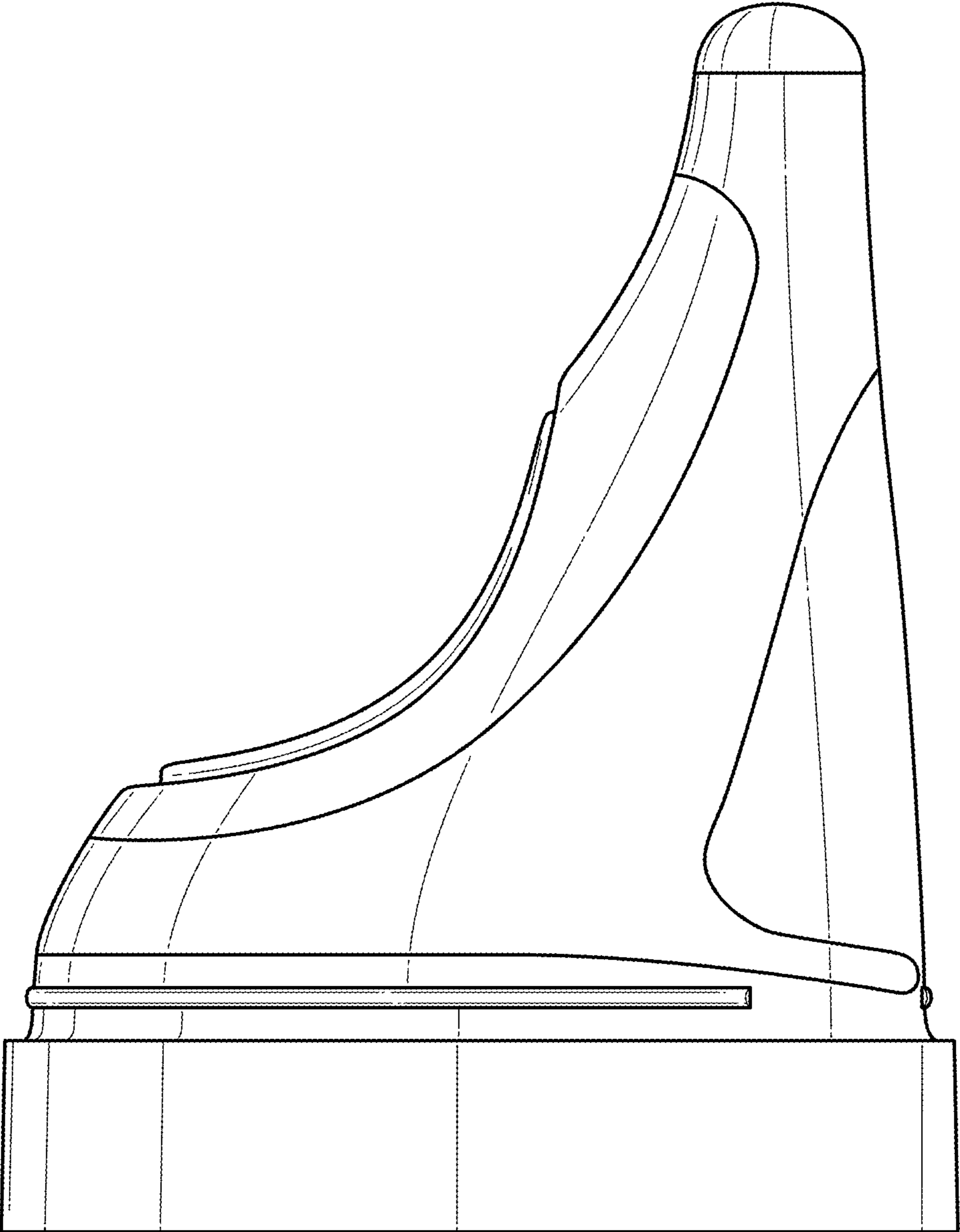


FIG. 4

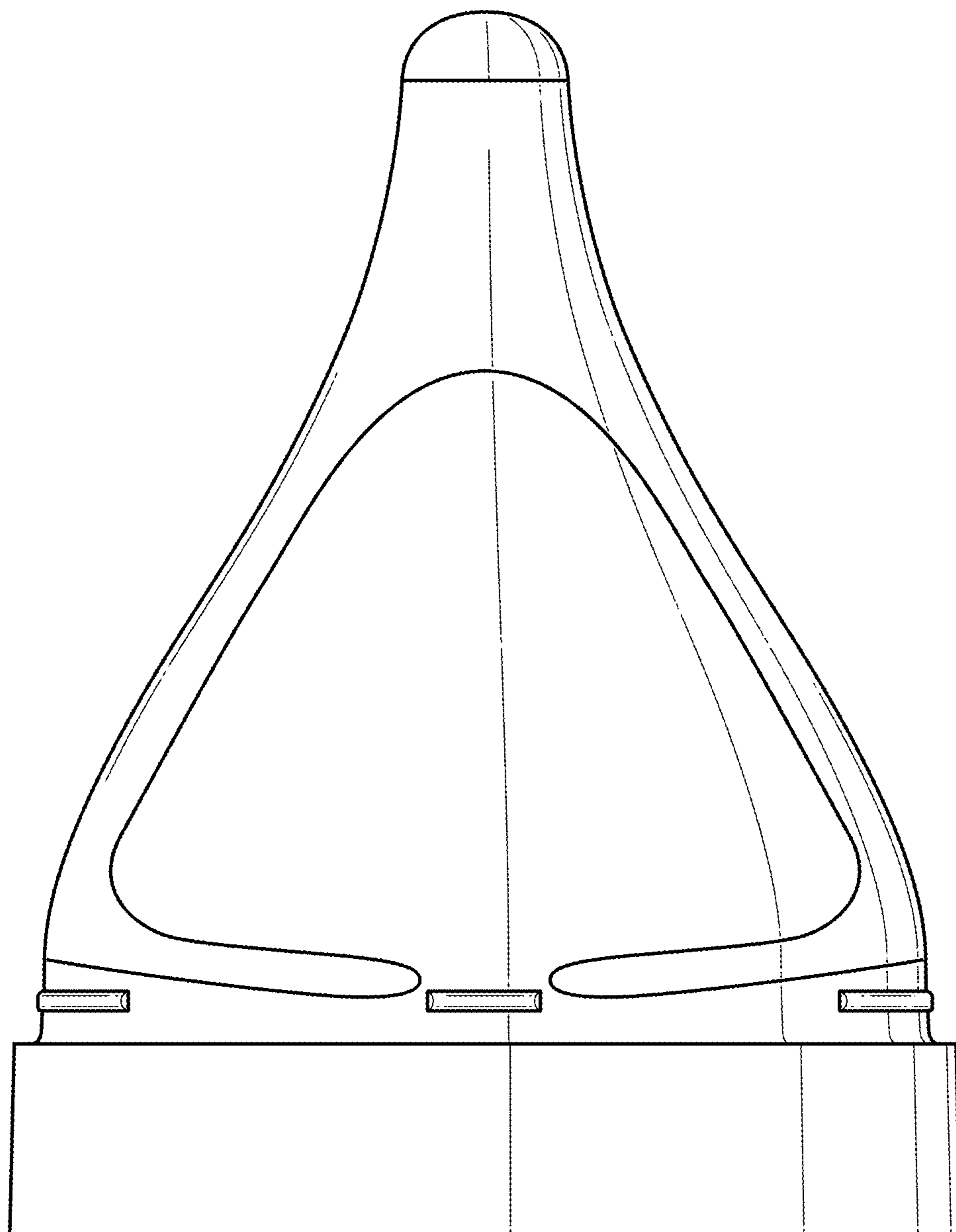


FIG. 5

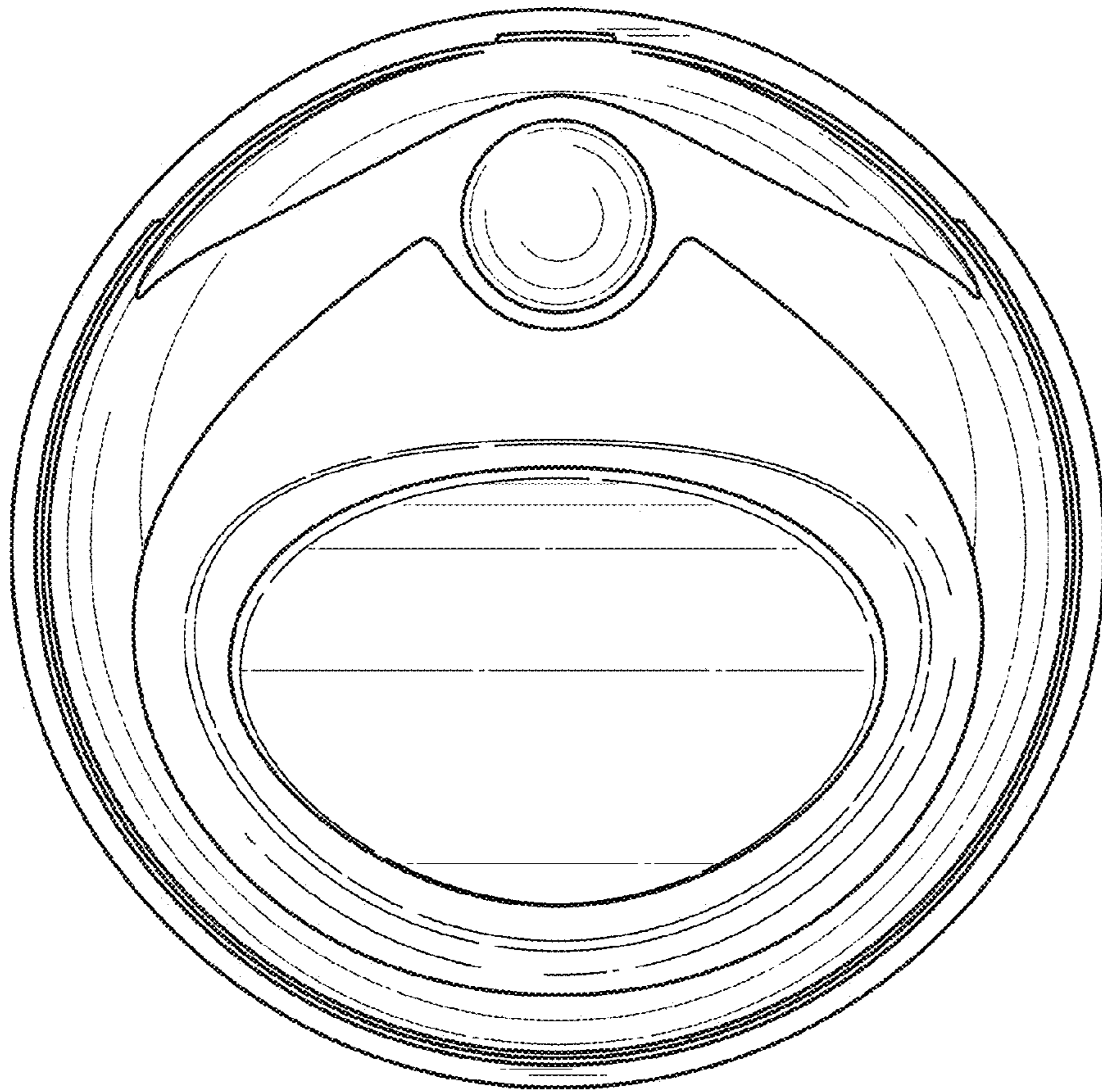


FIG. 6

FIG. 7

