



US00D896637S

(12) **United States Design Patent** (10) **Patent No.:** **US D896,637 S**
Yoon (45) **Date of Patent:** **** Sep. 22, 2020**

(54) **PACKING BOX**
(71) Applicant: **Daesik Yoon**, Siheung-si (KR)
(72) Inventor: **Daesik Yoon**, Siheung-si (KR)
(**) Term: **15 Years**
(21) Appl. No.: **29/690,397**
(22) Filed: **May 7, 2019**
(51) **LOC (12) Cl.** **09-03**
(52) **U.S. Cl.**
USPC **D9/432**
(58) **Field of Classification Search**
USPC D9/414-423, 430-433, 434, 456, 457,
D9/711, 713, 721-722, 737, 756, 758,
D9/759, 760; D20/10, 22, 27, 40, 42
CPC ... B65D 5/00; B65D 5/02; B65D 5/18; B65D
5/20
See application file for complete search history.

D461,405 S * 8/2002 Hacker D9/432
6,705,515 B2 * 3/2004 Dowd B65D 5/10
229/182
6,974,033 B2 * 12/2005 McLeod B65D 5/4204
206/736
10,513,381 B2 * 12/2019 Nielsen B65D 71/36
D873,658 S * 1/2020 Mitchell D9/432
2017/0267399 A1 * 9/2017 Buscema B31B 50/74

OTHER PUBLICATIONS

Corrugated carton box with lid. [online] Retrieved Jun. 15, 2020
from URL: <https://www.pakendikeskus.ee/en/corrugated-carton-box-with-lid-150x122x63mm>.*

* cited by examiner

Primary Examiner — Vy N Koenig
(74) *Attorney, Agent, or Firm* — Antonio Ha & U.S.
Patent, LLC

(56) **References Cited**
U.S. PATENT DOCUMENTS

1,833,605 A * 11/1931 Gates, Jr. B65D 5/32
229/125.38
2,703,197 A * 3/1955 Brasch B65D 5/4608
229/117.17
3,583,626 A * 6/1971 Overton, III B65D 5/02
229/199
4,328,923 A * 5/1982 Graser B65D 5/0005
206/427
5,143,278 A * 9/1992 Petriekis B65D 5/323
229/119
5,622,309 A * 4/1997 Matsuda B65D 5/5425
229/243
6,189,780 B1 * 2/2001 Kanter B65D 5/542
229/164

(57) **CLAIM**

The ornamental design for a packing box, as shown and described.

DESCRIPTION

FIG. 1 is a perspective view of the design;
FIG. 2 is a front elevational view thereof;
FIG. 3 is a back elevational view thereof;
FIG. 4 is a left side elevational view thereof;
FIG. 5 is a right side elevational view thereof;
FIG. 6 is a top plan view thereof; and,
FIG. 7 is a bottom plan view thereof.

1 Claim, 7 Drawing Sheets

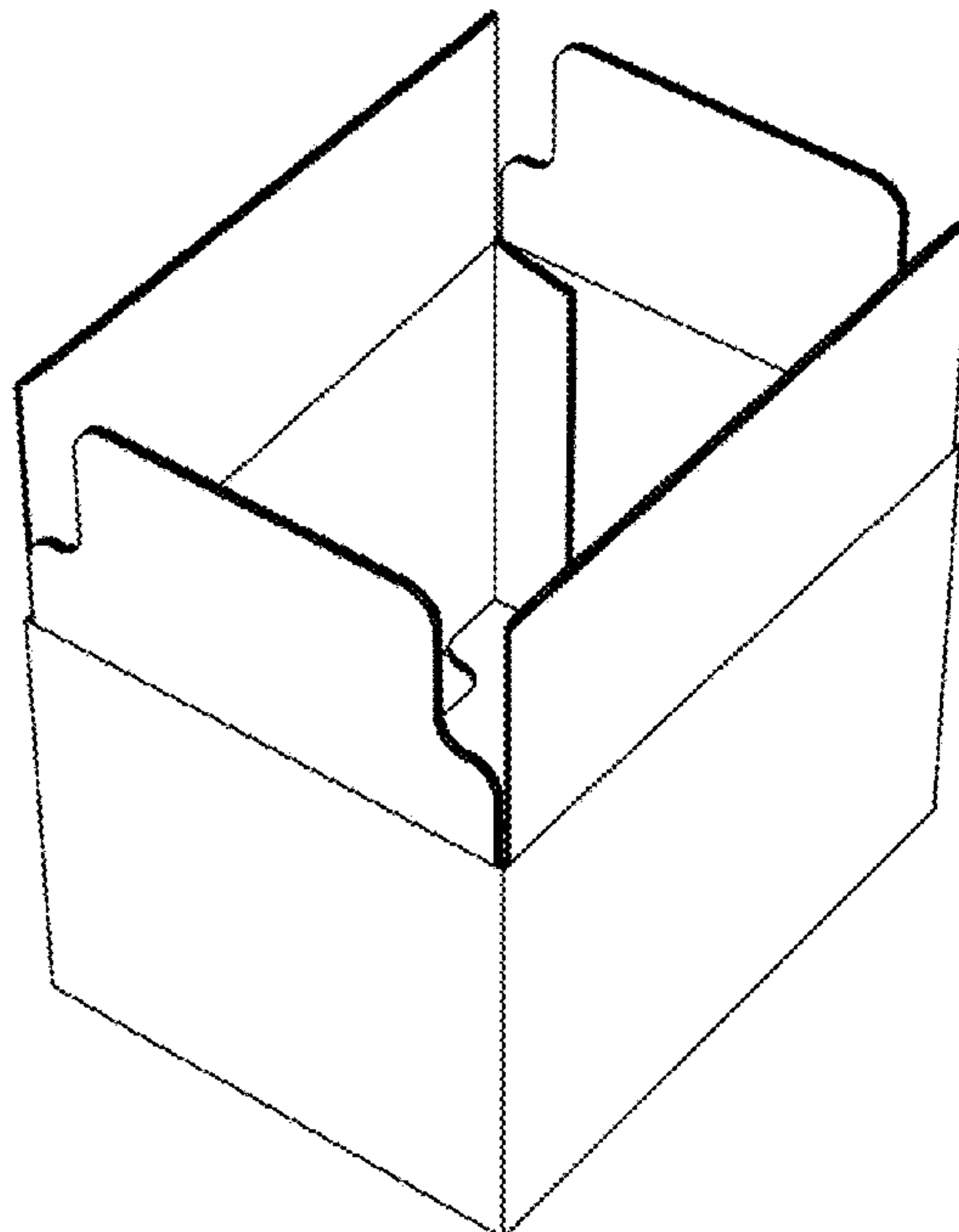


Fig. 1

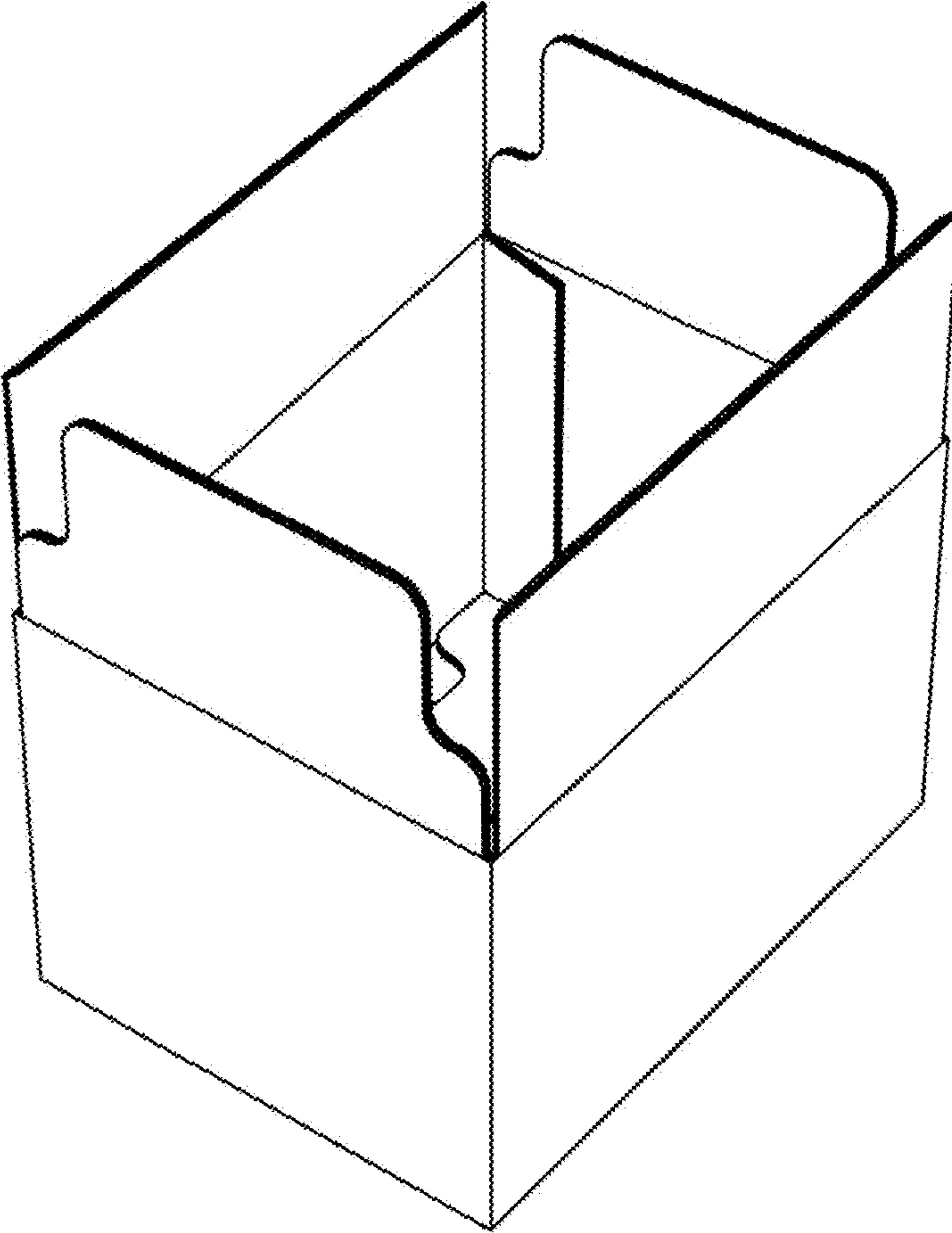


Fig. 2

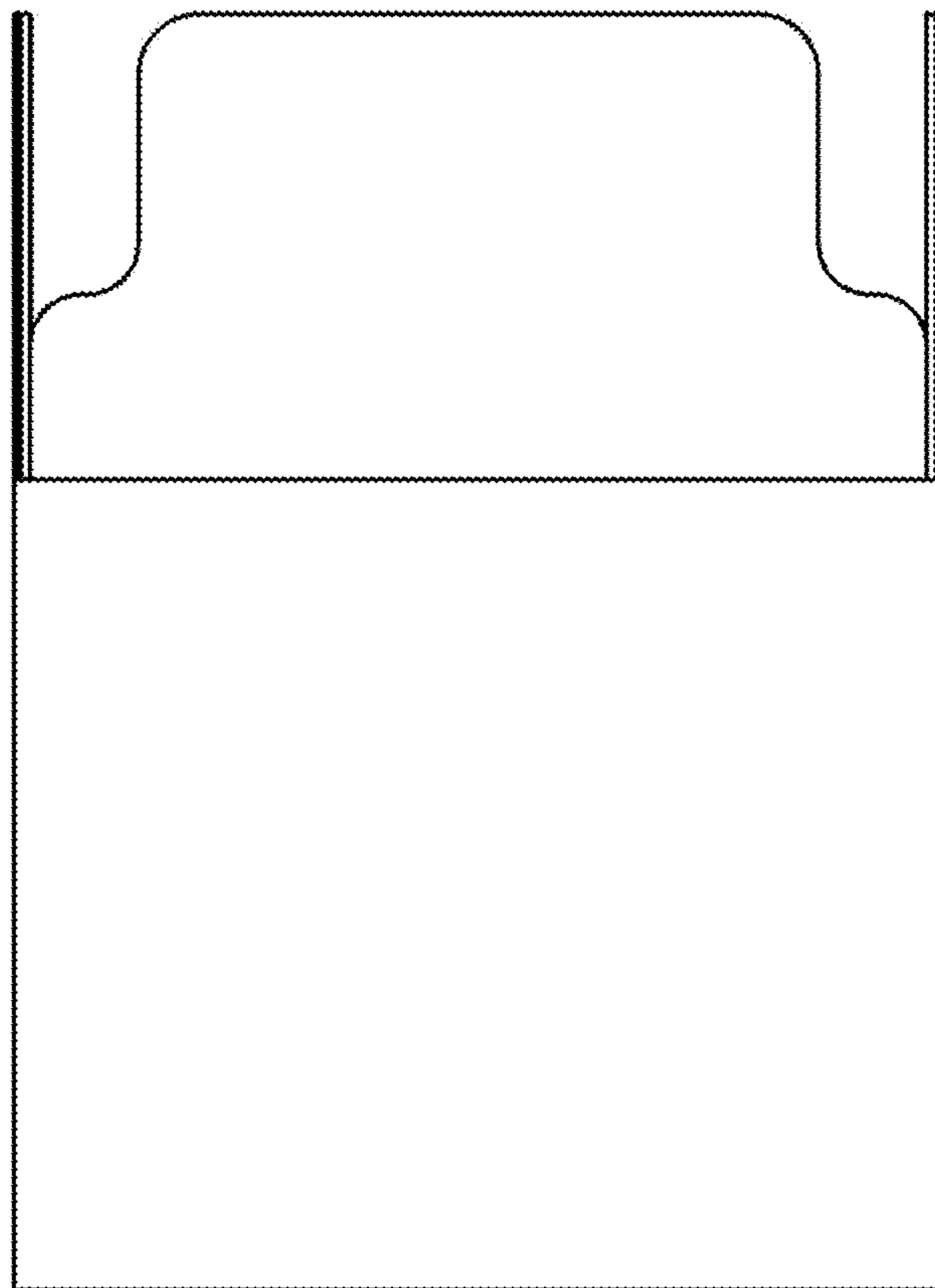


Fig. 3

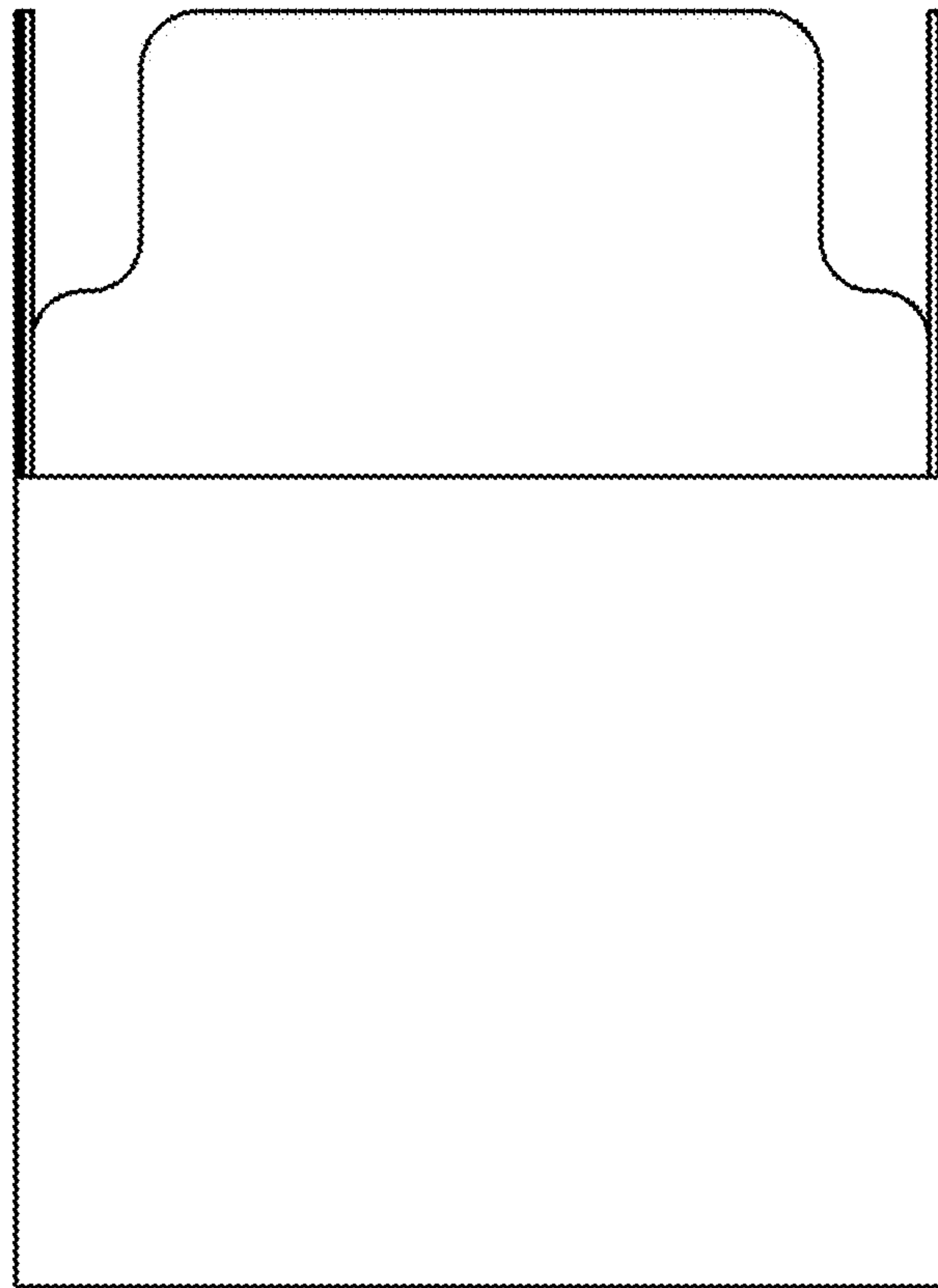


Fig. 4

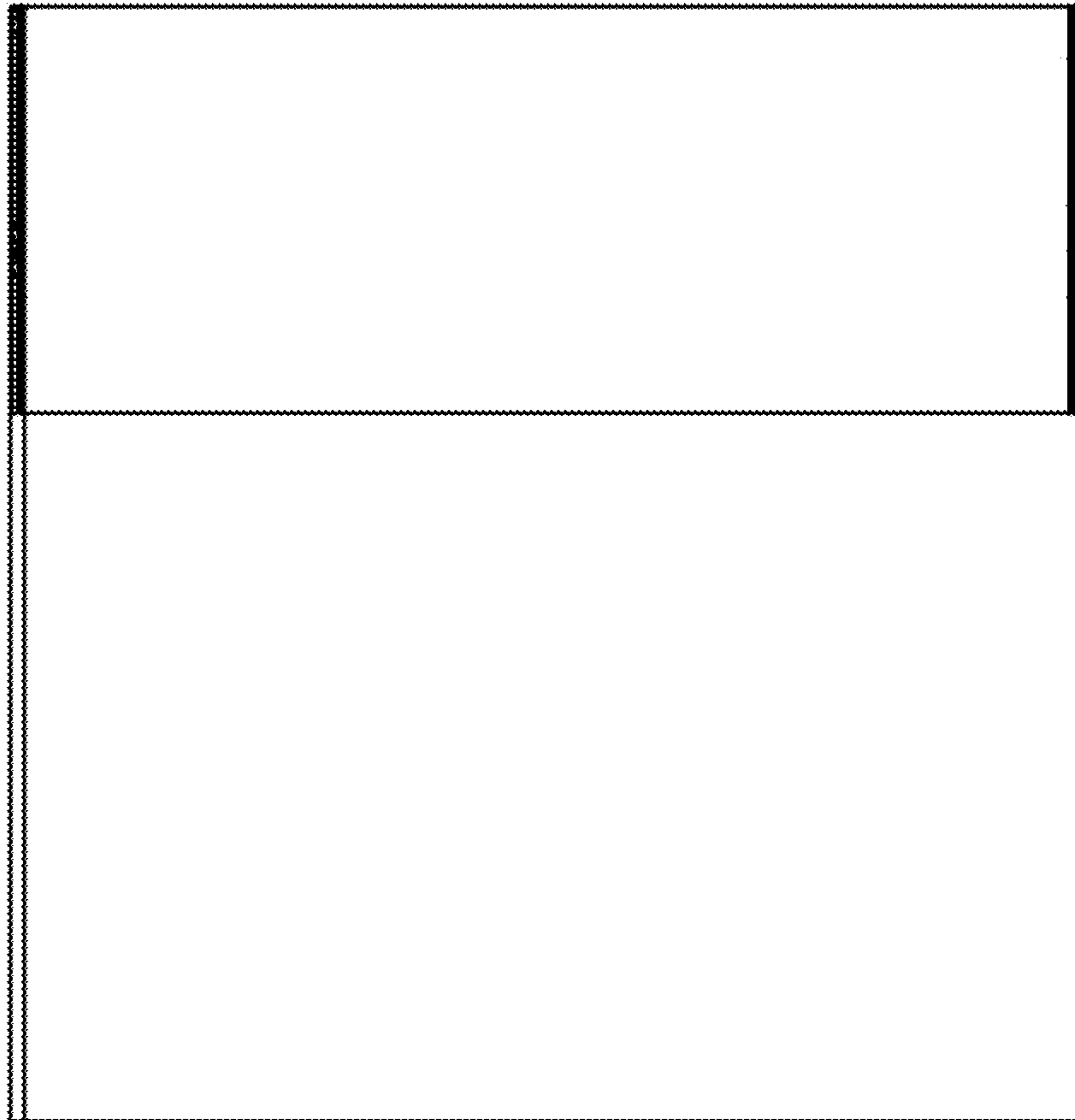


Fig. 5

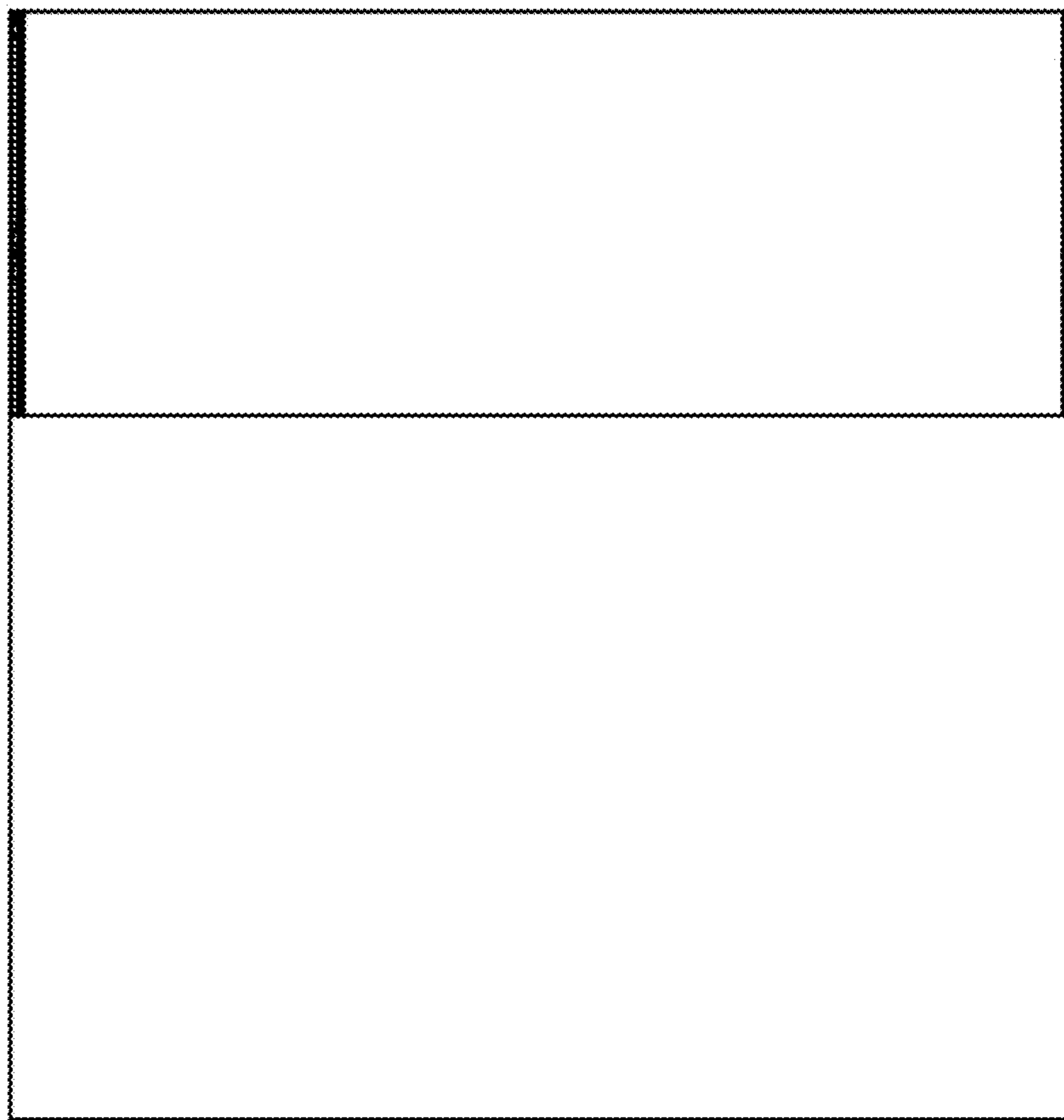


Fig. 6

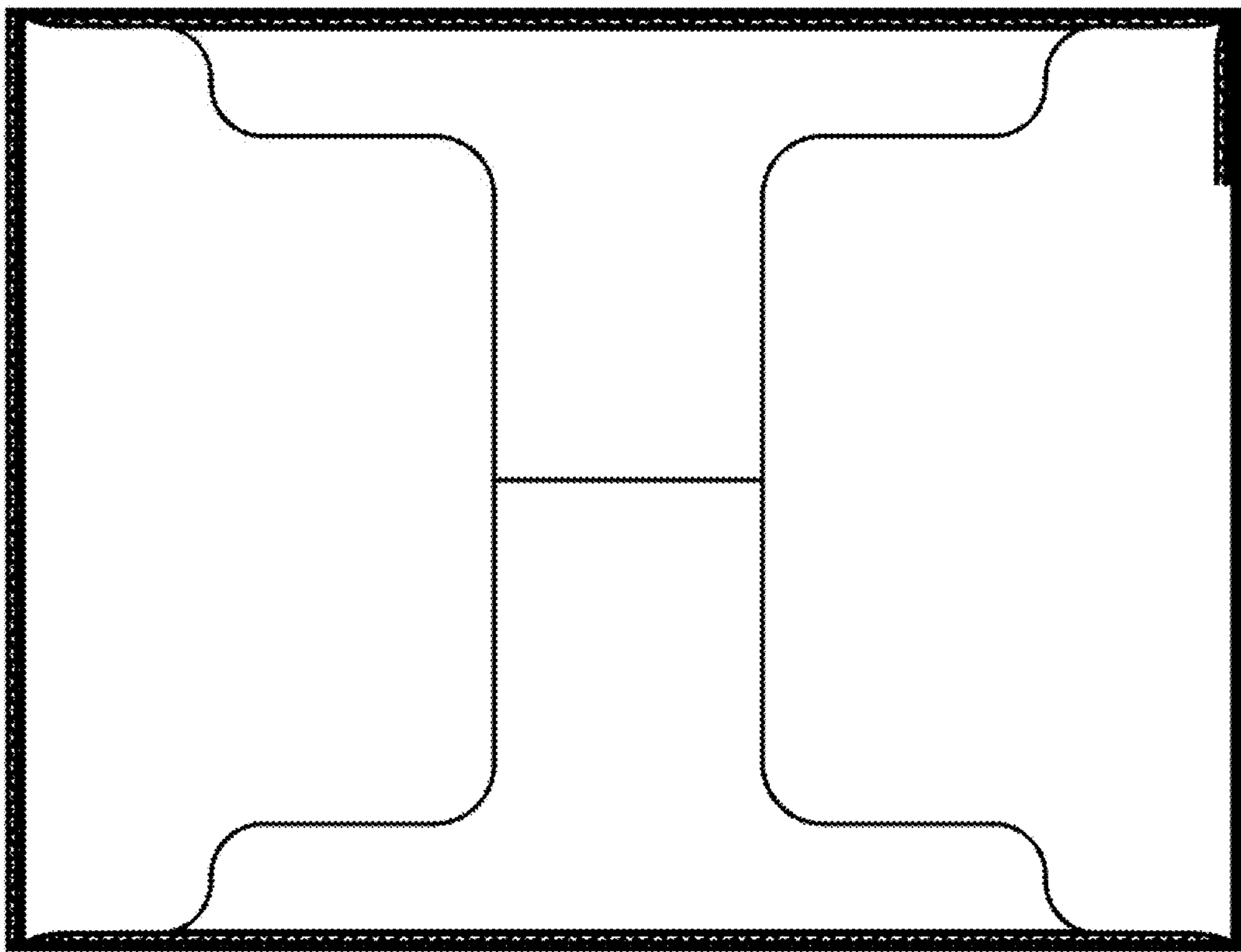


Fig. 7

