

US00D896631S

(12) **United States Design Patent** (10) **Patent No.:** **US D896,631 S**
McMenamin et al. (45) **Date of Patent:** **** Sep. 22, 2020**

(54) **FLIP CAP PACKAGE WITH LABEL**

(74) *Attorney, Agent, or Firm* — Cook Alex Ltd.

(71) Applicant: **Hollister Incorporated**, Libertyville, IL (US)

(57) **CLAIM**

The ornamental design for a flip cap package with label, as shown and described.

(72) Inventors: **Martin McMenamin**, Lifford (IE); **Daniel E. O'Brien**, Calry (IE); **Vincent Naughton**, Sligo (IE); **Martin P. Creaven**, Ballina (IE); **Joseph N. Hanley**, Sligo (IE); **Scott J. Pupino**, Oak Park, IL (US)

DESCRIPTION

(73) Assignee: **Hollister Incorporated**, Libertyville, IL (US)

(**) Term: **15 Years**

FIG. 1 is a top, front perspective view of a flip cap package with label according to the present design.
FIG. 2 is a bottom, right side perspective view thereof.
FIG. 3 is a front elevation view thereof.
FIG. 4 is a rear elevation view thereof.
FIG. 5 is a right side elevation view thereof.
FIG. 6 is a left side elevation view thereof.
FIG. 7 is a top plan view thereof.
FIG. 8 is a bottom plan view thereof.
FIG. 9 is a front elevation view of a second embodiment of a flip cap package with label showing the score lines on the label in solid lines.
FIG. 10 is a front elevation view of a third embodiment of a flip cap package with label with an alternate shape of the label.
FIG. 11 is a front elevation view of a third embodiment of a flip cap package with label with a further alternate shape of the label.
FIG. 12 is a front elevation view of a fifth embodiment of a flip cap package with label with yet another alternate shape of the label.
FIG. 13 is a front elevation view of a sixth embodiment of a flip cap package with label with an alternate arrangement of score lines on a label shown in solid lines.
FIG. 14 is a rear elevation view of a seventh embodiment of a flip cap package with label showing the same portions of the package as the first embodiment except for the hinge in broken lines.
FIG. 15 is a right side elevation view thereof; and,
FIG. 16 is a left side elevation view thereof.
The broken lines shown represent portions of the claim that form no part of the claimed design.

(21) Appl. No.: **29/659,698**

(22) Filed: **Aug. 10, 2018**

(51) **LOC (12) Cl.** **09-03**

(52) **U.S. Cl.**
USPC **D9/420; D3/203.1**

(58) **Field of Classification Search**
USPC **D9/414, 420–423, 430, 730, 733; D3/203.1; D24/112**

(Continued)

(56) **References Cited**

U.S. PATENT DOCUMENTS

5,389,415 A * 2/1995 Kaufmann G09F 3/0288 283/80

5,540,343 A 7/1996 Schumacher
(Continued)

FOREIGN PATENT DOCUMENTS

EP 1086024 B1 5/2003
EP 1278679 B1 6/2007
WO WO 2017/024106 A1 2/2017

Primary Examiner — Lauren R Calve

1 Claim, 8 Drawing Sheets



(58) **Field of Classification Search**

CPC G09F 3/0289; G09F 3/03; B65D 43/162;
B65D 2543/00296; B65D 2543/00092;
B65D 2251/105; B65D 51/20; B65D
2251/20

See application file for complete search history.

(56) **References Cited**

U.S. PATENT DOCUMENTS

5,727,819 A * 3/1998 Grosskopf G09F 3/0289
283/81
6,321,923 B1 11/2001 Wood
6,908,113 B2 6/2005 Chaduc et al.
7,731,042 B2 6/2010 Blomdahl et al.
D705,925 S * 5/2014 Murray D24/112
D749,420 S * 2/2016 Kahlau D9/420
D828,011 S * 9/2018 O'Brien D3/203.1
D846,380 S * 4/2019 Giraud D9/420

D848,832 S * 5/2019 Blomberg D9/420
D856,798 S * 8/2019 Giraud D9/420
D859,142 S * 9/2019 Giraud D9/420
D863,951 S * 10/2019 Knobel D9/420
D881,691 S * 4/2020 Knobel D9/420
D882,113 S * 4/2020 Motadel D24/224
D882,393 S * 4/2020 Chong D9/420
2004/0150221 A1 8/2004 Brown
2004/0158231 A1* 8/2004 Tanghoj A61M 25/01
604/544
2013/0153574 A1* 6/2013 Ward B65D 43/18
220/260
2013/0292286 A1* 11/2013 Van Groningen .. A61M 25/002
206/438
2016/0167844 A1* 6/2016 Wu B65D 51/245
215/209
2017/0107365 A1 4/2017 Rycroft et al.
2017/0175428 A1 6/2017 Quinn et al.
2019/0021531 A1* 1/2019 Sims B65D 47/0857

* cited by examiner

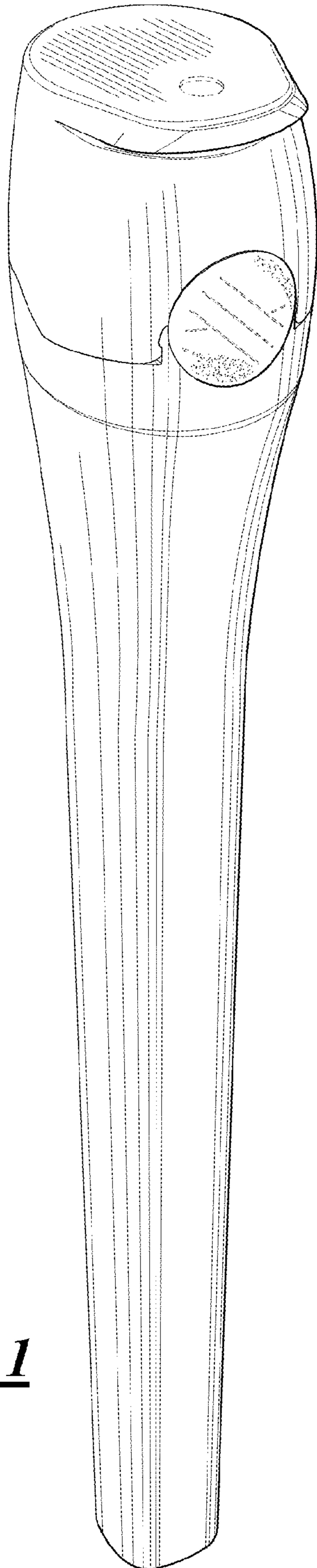


FIG. 1

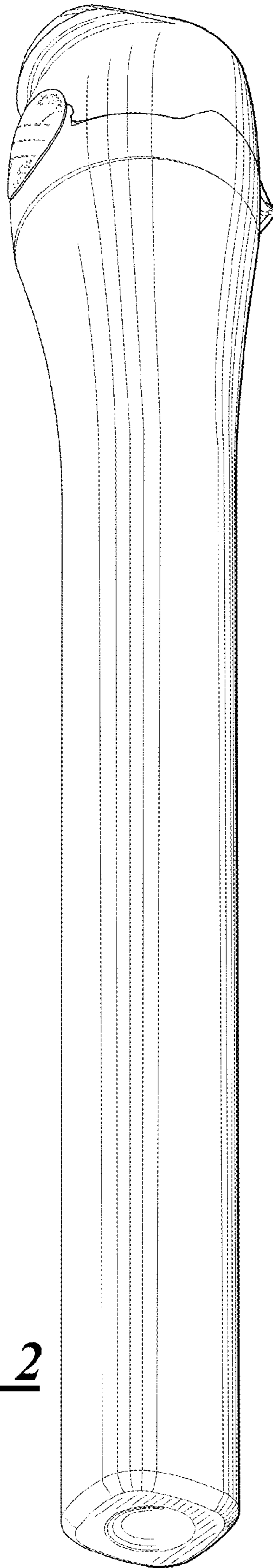


FIG. 2

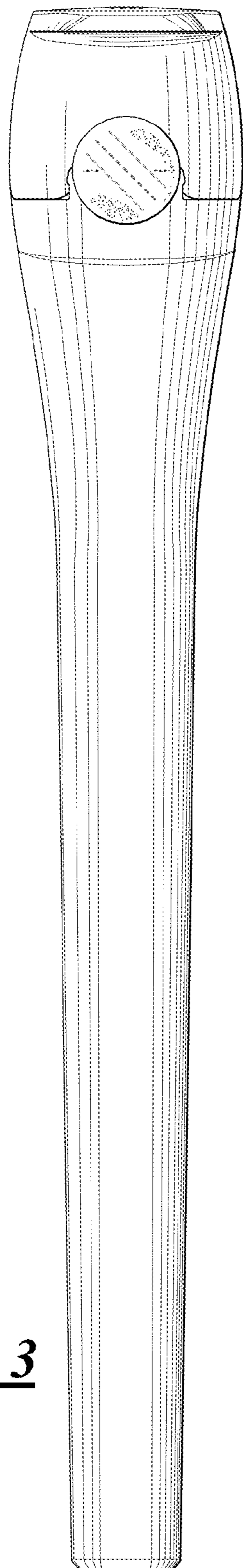


FIG. 3

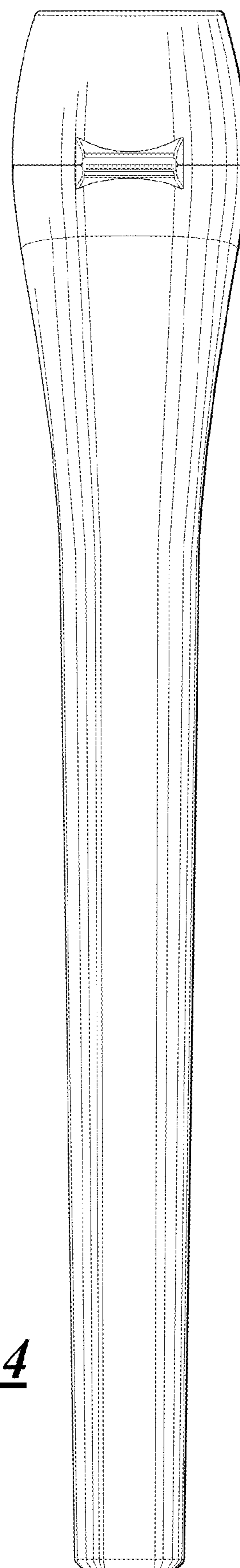


FIG. 4

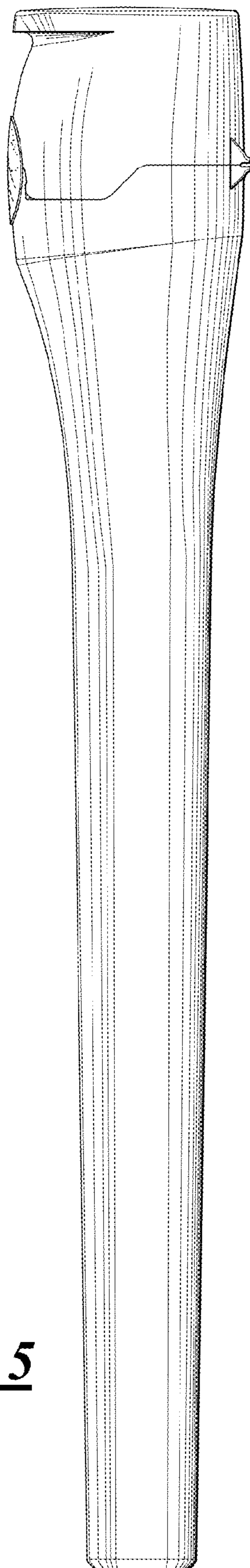


FIG. 5

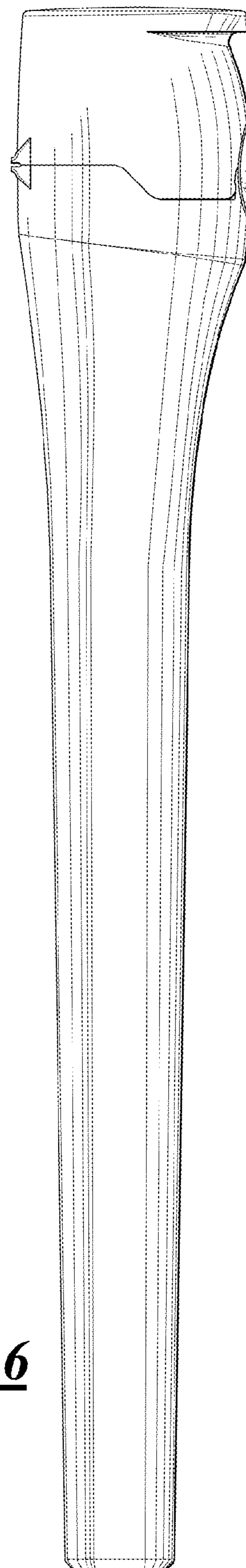


FIG. 6

FIG. 7

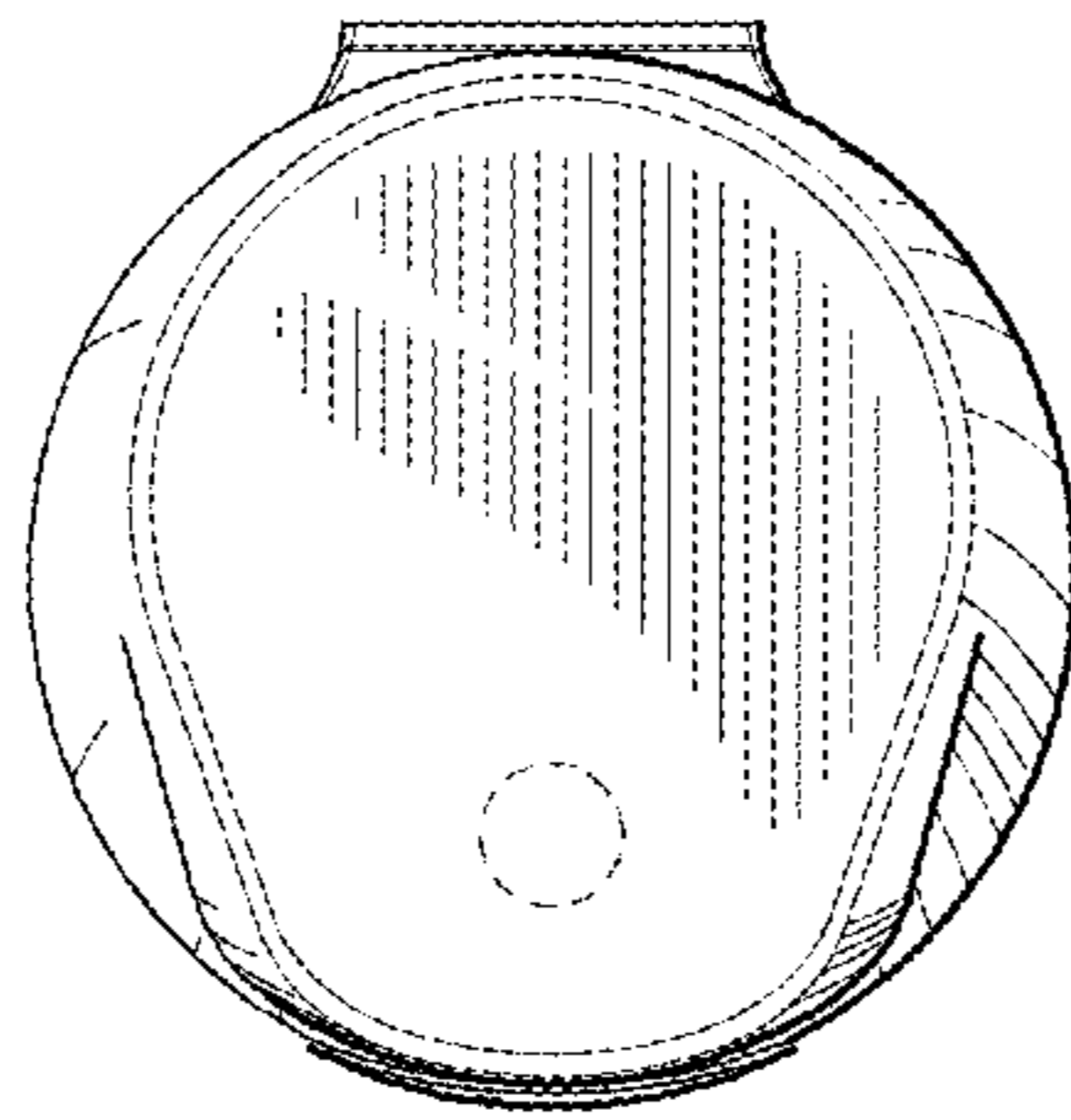
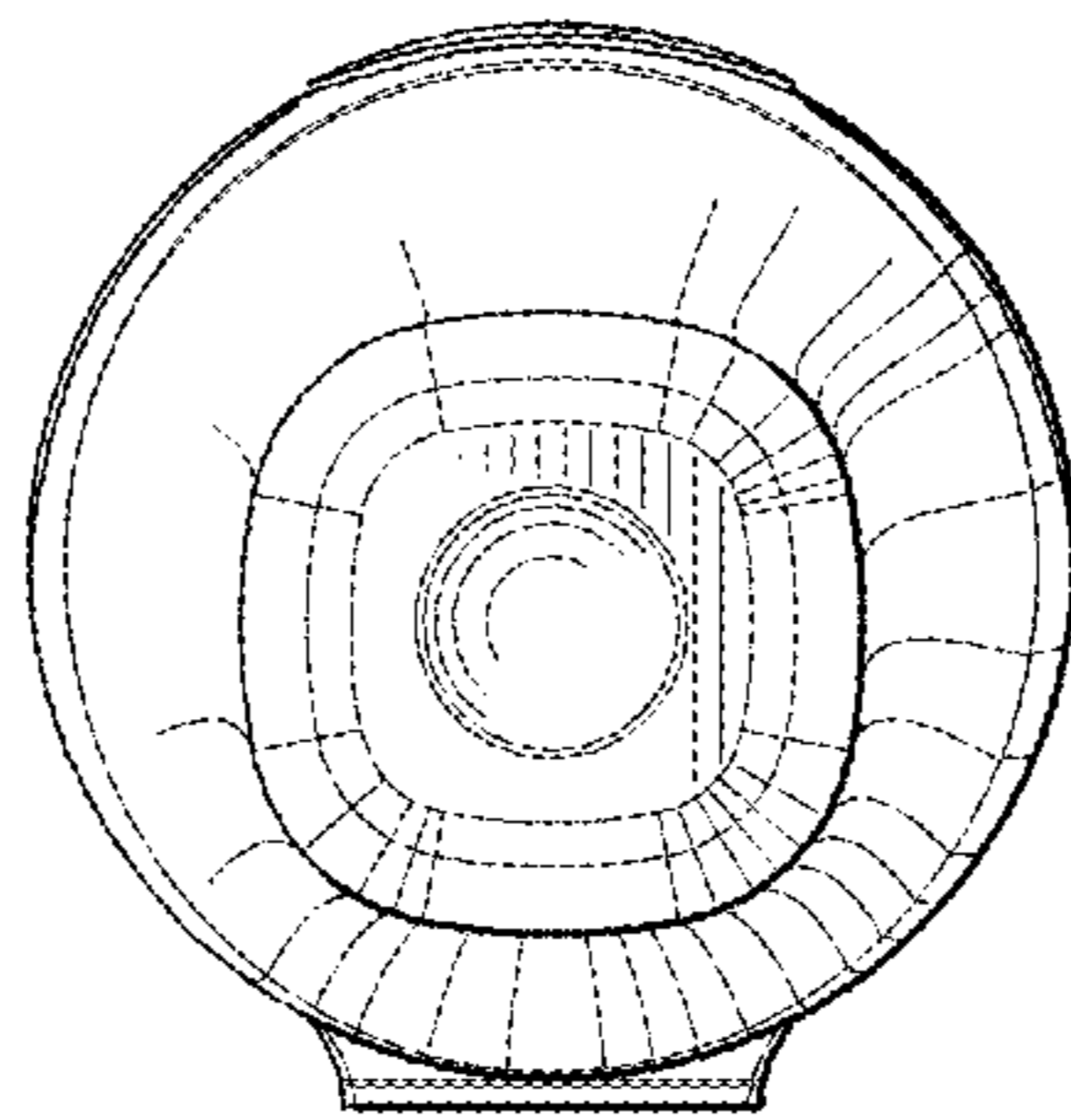


FIG. 8



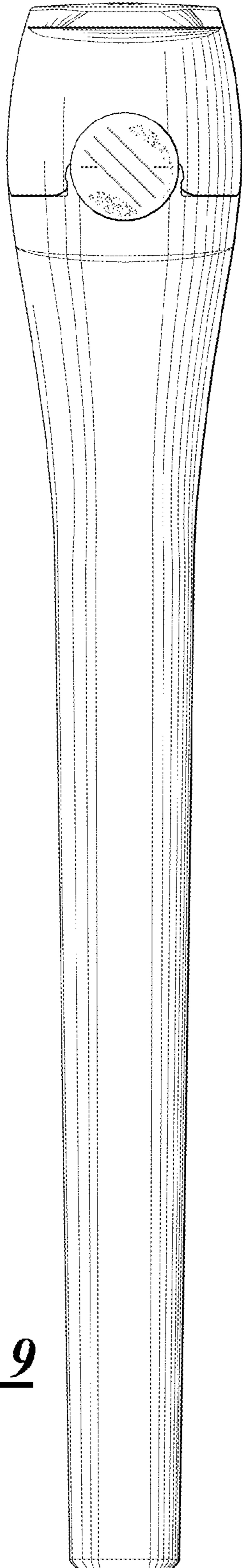


FIG. 9

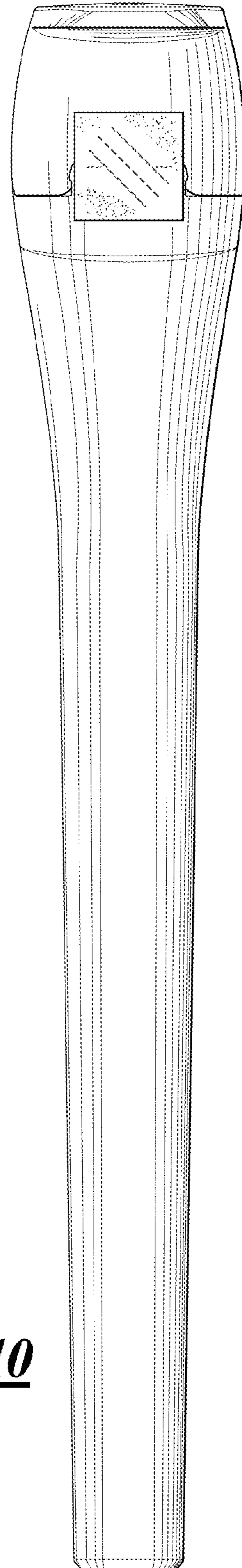


FIG. 10

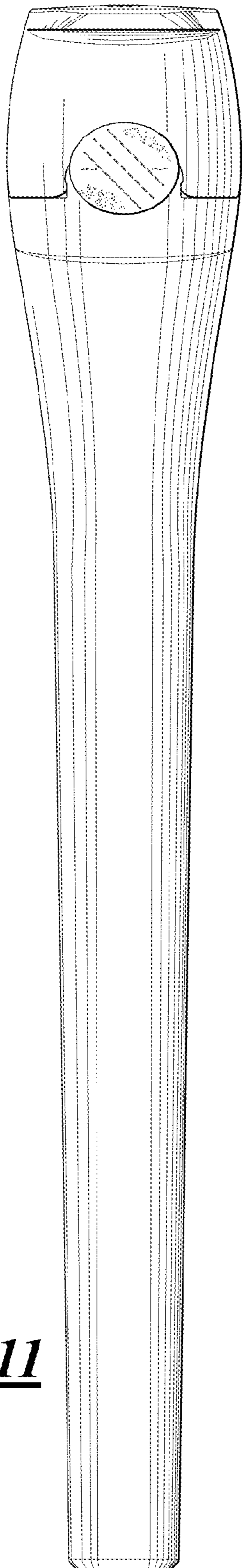


FIG. 11

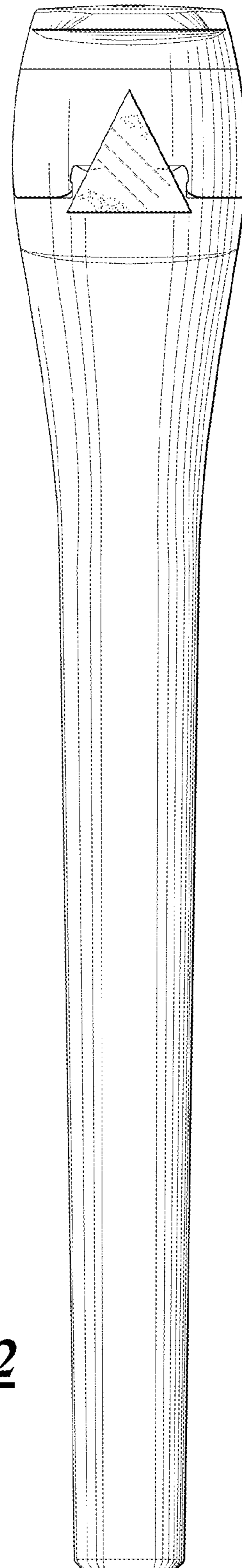


FIG. 12

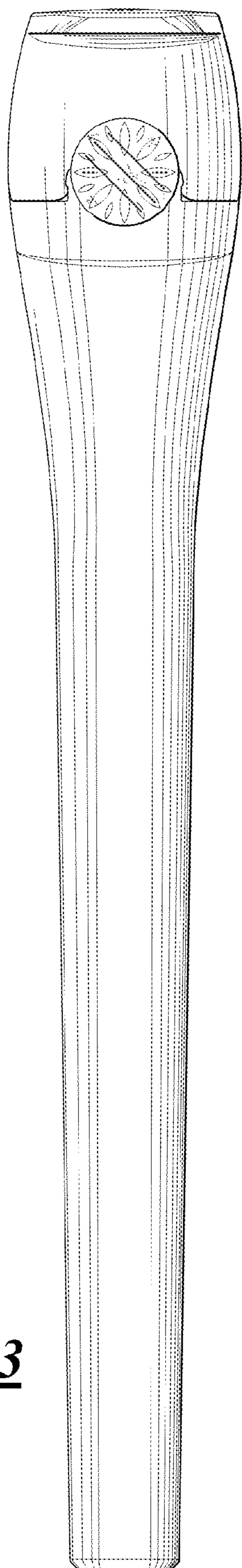


FIG. 13

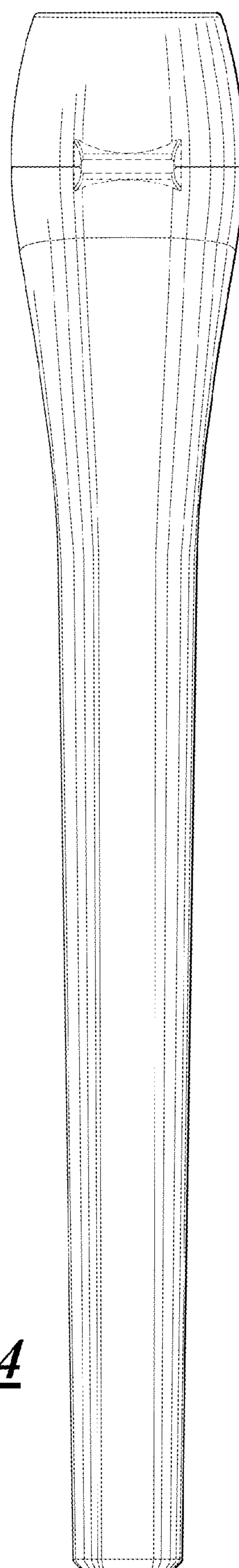


FIG. 14

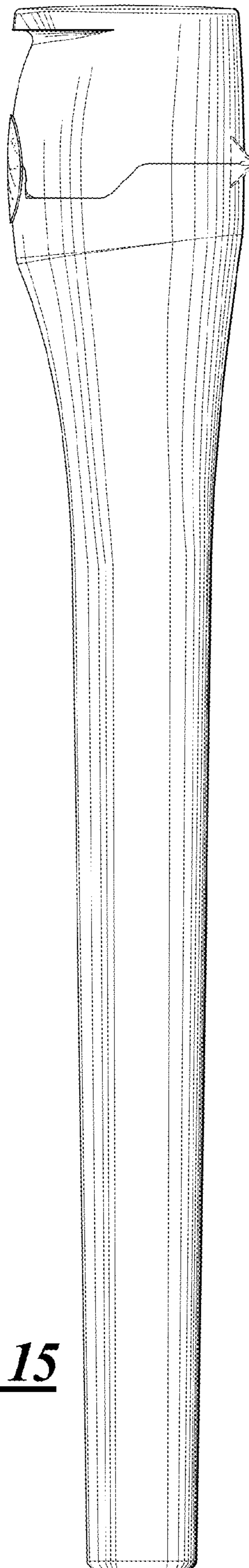


FIG. 15

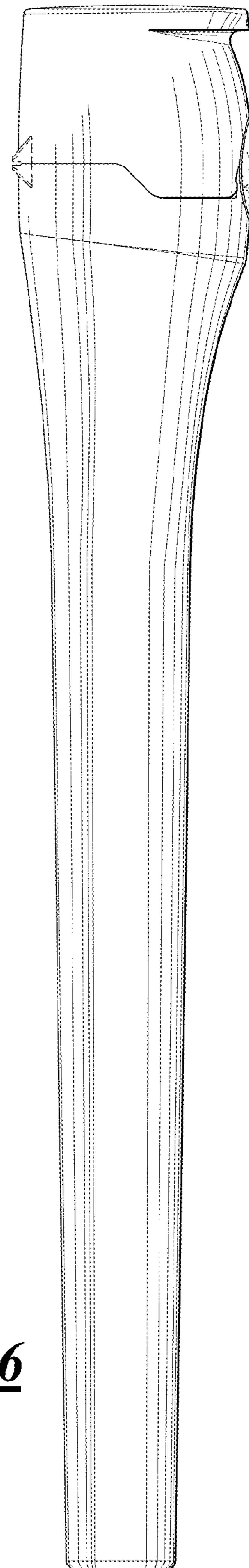


FIG. 16