



US00D896627S

(12) **United States Design Patent**
Kirkpatrick

(10) **Patent No.:** **US D896,627 S**

(45) **Date of Patent:** **** Sep. 22, 2020**

- (54) **ADAPTER**
- (71) Applicant: **Roger Kirkpatrick**, Moreno Valley, CA (US)
- (72) Inventor: **Roger Kirkpatrick**, Moreno Valley, CA (US)
- (**) Term: **15 Years**
- (21) Appl. No.: **29/679,225**
- (22) Filed: **Feb. 4, 2019**

Related U.S. Application Data

- (63) Continuation-in-part of application No. 29/659,154, filed on Aug. 7, 2018.

- (51) **LOC (12) Cl.** **08-08**
- (52) **U.S. Cl.**
USPC **D8/397**

- (58) **Field of Classification Search**
USPC D8/399, 382, 397, 394, 349; 411/140, 411/508, 418, 427, 374; 72/267; 292/327; 248/318; 29/434; 24/595.1
CPC F16B 43/00; F16B 35/00; F16B 37/14; F16B 23/0061; F16B 41/002; E04G 25/065; E04D 13/1476; A61B 17/0401
See application file for complete search history.

(56) **References Cited**

U.S. PATENT DOCUMENTS

- 2,440,944 A * 5/1948 Green F16B 39/286 411/282
- D157,484 S * 2/1950 Gade 411/437
- 2,835,720 A * 5/1958 Buskirk H01M 2/1205 429/89
- 3,543,826 A * 12/1970 Forgaard F16B 39/284 411/284
- D223,231 S * 4/1972 Miller D8/385
- 3,693,495 A * 9/1972 Wagner F16B 23/003 411/377

- 4,337,875 A * 7/1982 Lyons B65D 51/1611 220/368
- 4,604,202 A * 8/1986 Movshovitz B01D 35/02 210/409
- D290,639 S * 6/1987 Movshovitz D23/209
- D325,226 S * 4/1992 Bryen D21/478
- 5,147,093 A * 9/1992 Tisdale A63F 9/0876 273/153 R
- D335,077 S * 4/1993 Haney D8/387
- 5,324,149 A * 6/1994 Bainbridge F16B 37/14 411/377
- D364,882 S * 12/1995 Junkers D15/199
- 5,810,532 A * 9/1998 Huang F16B 37/14 411/377
- D422,255 S * 4/2000 Gonzales D12/197
- 6,062,263 A * 5/2000 Donovan F16B 25/0021 138/89
- D484,785 S * 1/2004 Plumer D8/397
- D488,715 S * 4/2004 Plumer D8/397

(Continued)

Primary Examiner — Cynthia R Underwood
(74) *Attorney, Agent, or Firm* — Grants Law Firm; Allan Grant

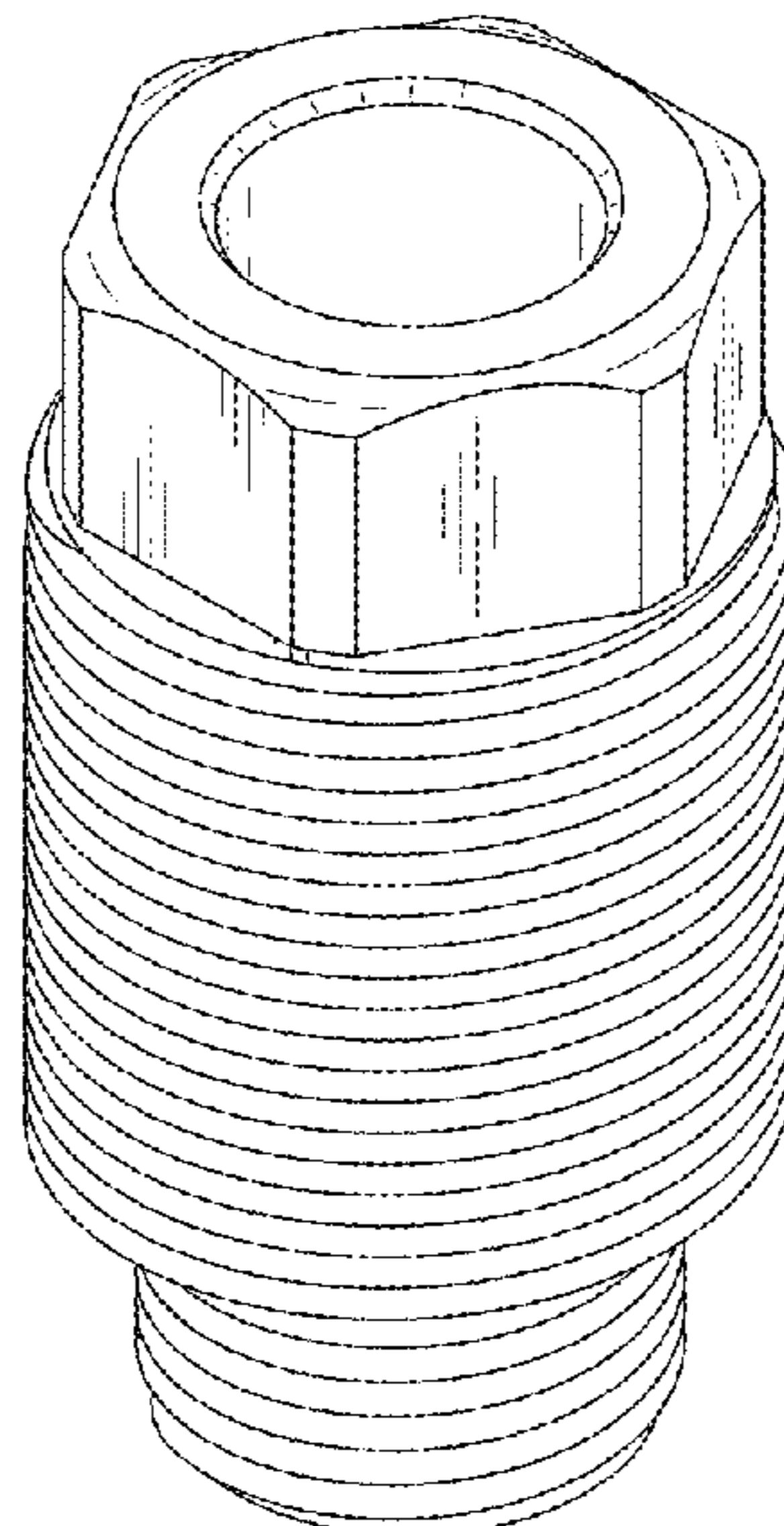
(57) **CLAIM**

I claim the ornamental design for an adapter, as shown and as described.

DESCRIPTION

FIG. 1 is a perspective top view of the adapter.
FIG. 2 is a perspective bottom view of the adapter.
FIG. 3 is the front view of the adapter.
FIG. 4 is a back view of the adapter.
FIG. 5 is a side view of the adapter.
FIG. 6 is the other side view of the adapter.
FIG. 7 is a top view of the adapter.
FIG. 8 is bottom view of the adapter; and,
FIG. 9 is a cross-section taken in the direction of markers "9-9" on FIG. 6.

1 Claim, 2 Drawing Sheets



(56)

References Cited

U.S. PATENT DOCUMENTS

D513,380 S *	1/2006	Bruni	D8/397	D792,201 S *	7/2017	Baiz	D8/387
D627,039 S *	11/2010	Yu	D23/260	D825,371 S *	8/2018	Bonner	D11/79
D648,006 S *	11/2011	Morishita	D23/259	D825,372 S *	8/2018	Bonner	D11/79
D649,031 S *	11/2011	Rand	D8/397	D851,331 S *	6/2019	Grace	D28/18
D669,968 S *	10/2012	Morishita	D23/259	D874,245 S *	2/2020	Whited	D8/354
D713,715 S *	9/2014	Kury	D8/397	2003/0068212 A1 *	4/2003	Wilson	F16B 37/14
D721,423 S *	1/2015	Jacques	D23/260					411/429
D738,714 S *	9/2015	Kuhmichel	D8/397	2004/0065376 A1 *	4/2004	Kristofferson	F01M 11/0408
D748,227 S *	1/2016	von Lepel	D23/260					138/89
D749,197 S *	2/2016	von Lepel	D23/260	2005/0136735 A1 *	6/2005	Rodrigues	H01R 9/0524
D749,198 S *	2/2016	von Lepel	D23/260					439/578
D749,199 S *	2/2016	von Lepel	D23/260	2008/0095593 A1 *	4/2008	McLean	F16B 5/025
9,297,407 B2 *	3/2016	Pudvah	F16B 41/002					411/360
D766,069 S *	9/2016	Miller	D8/349	2011/0123293 A1 *	5/2011	Matlock	F16B 37/14
D766,075 S *	9/2016	Milbank	D8/394					411/429
9,593,707 B2 *	3/2017	Weis	F16B 37/14	2012/0292235 A1 *	11/2012	Fink	E03F 5/0404
9,624,962 B2 *	4/2017	Unsel	F16B 37/00					210/90
D787,924 S *	5/2017	Baiz	D8/387	2015/0184687 A1 *	7/2015	Weis	F16B 37/14
D789,781 S *	6/2017	Johnson	D8/397					411/373
					2017/0248181 A1 *	8/2017	Wang	B25B 27/062
					2019/0070715 A1 *	3/2019	Tharpe	B25B 27/0035

* cited by examiner

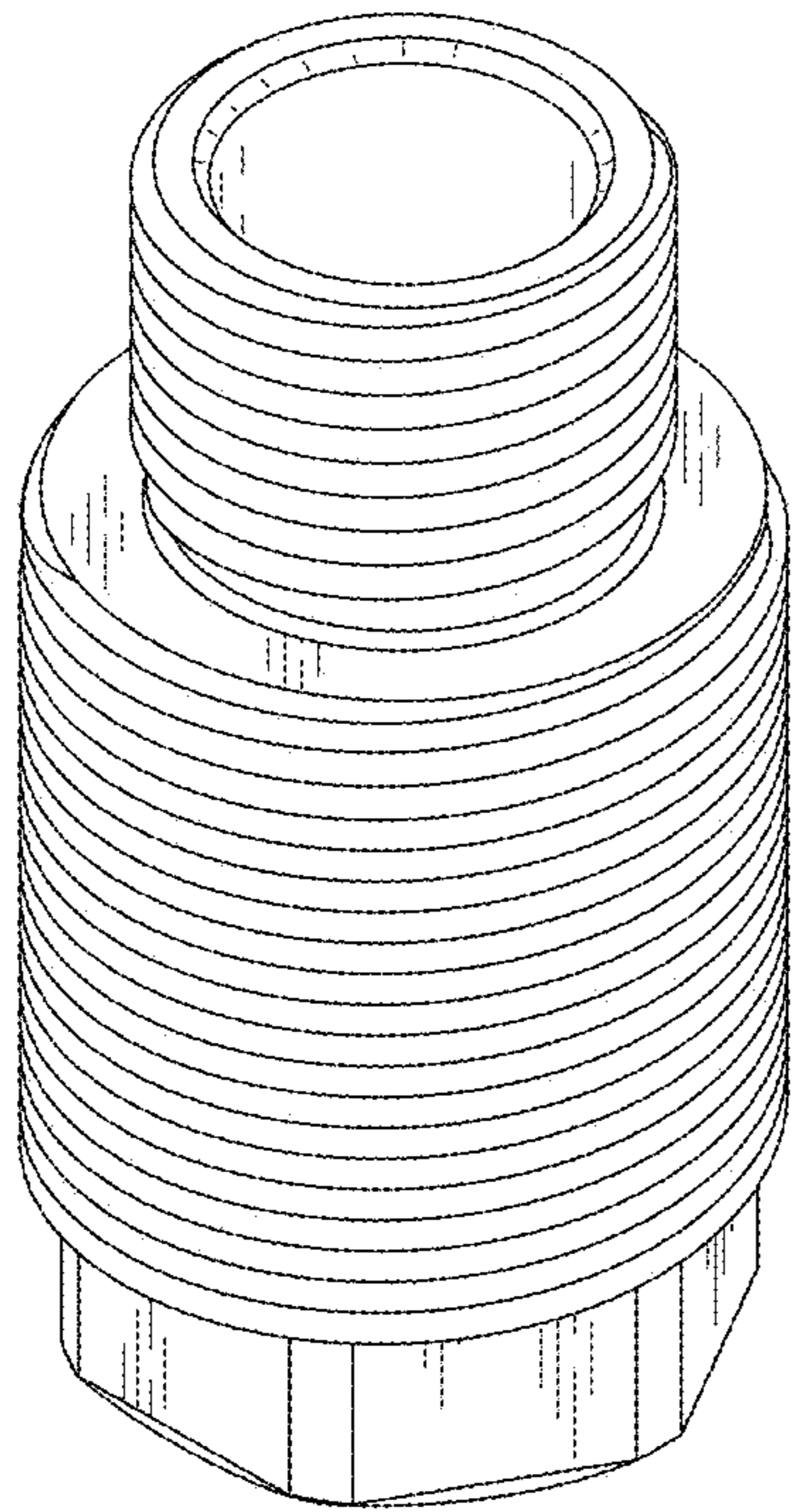


Fig. 1

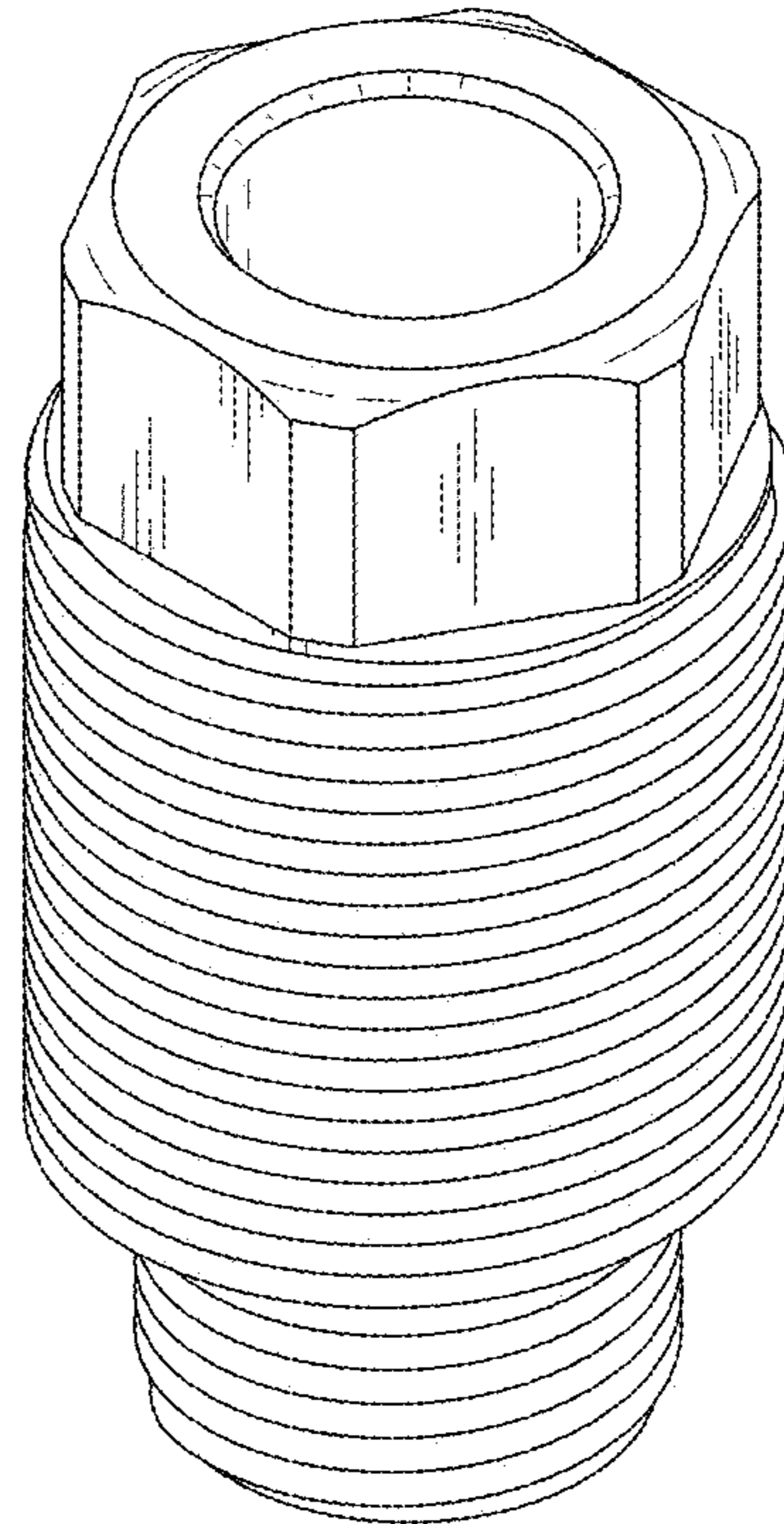


Fig. 2

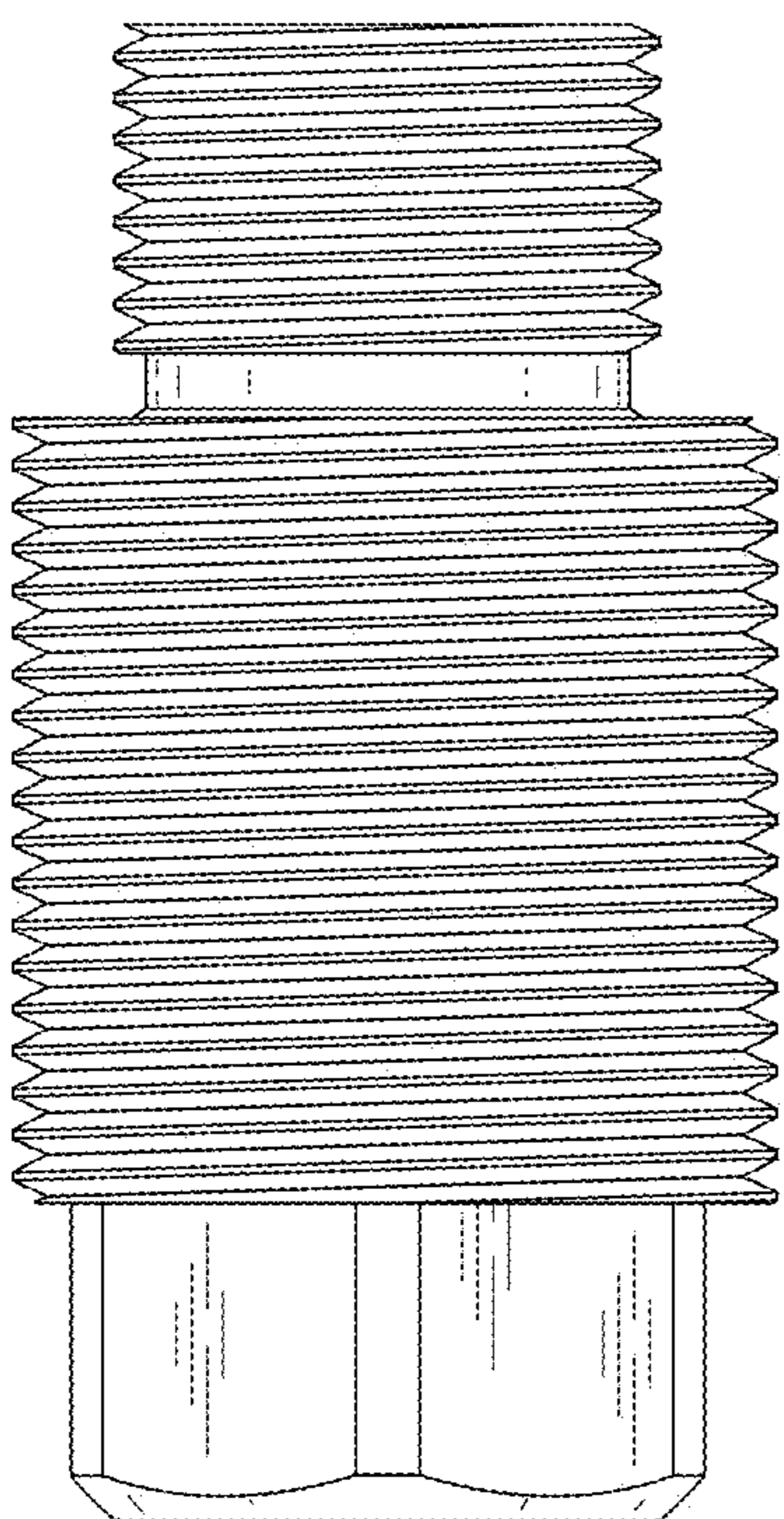


Fig. 3

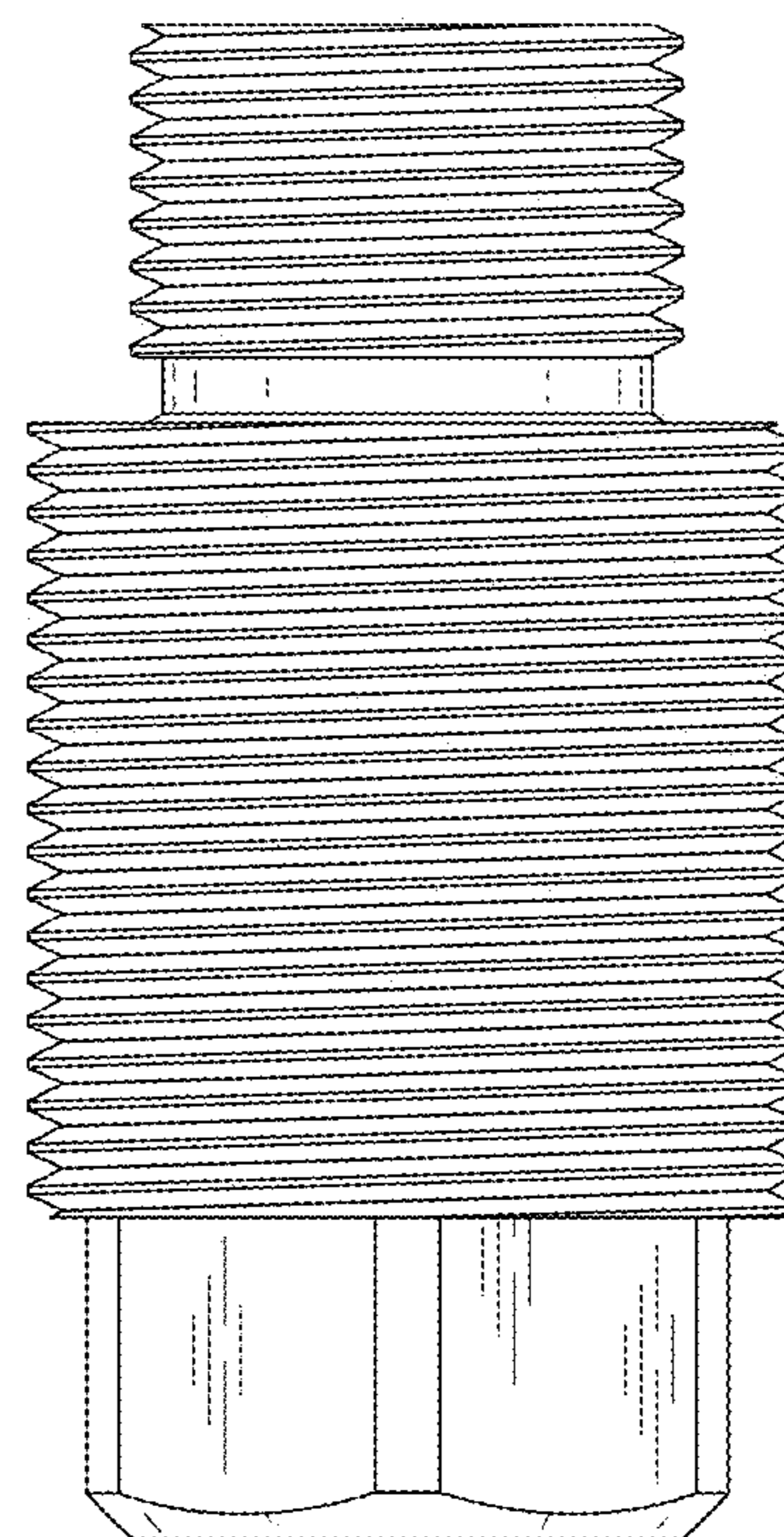


Fig. 4

Fig. 5

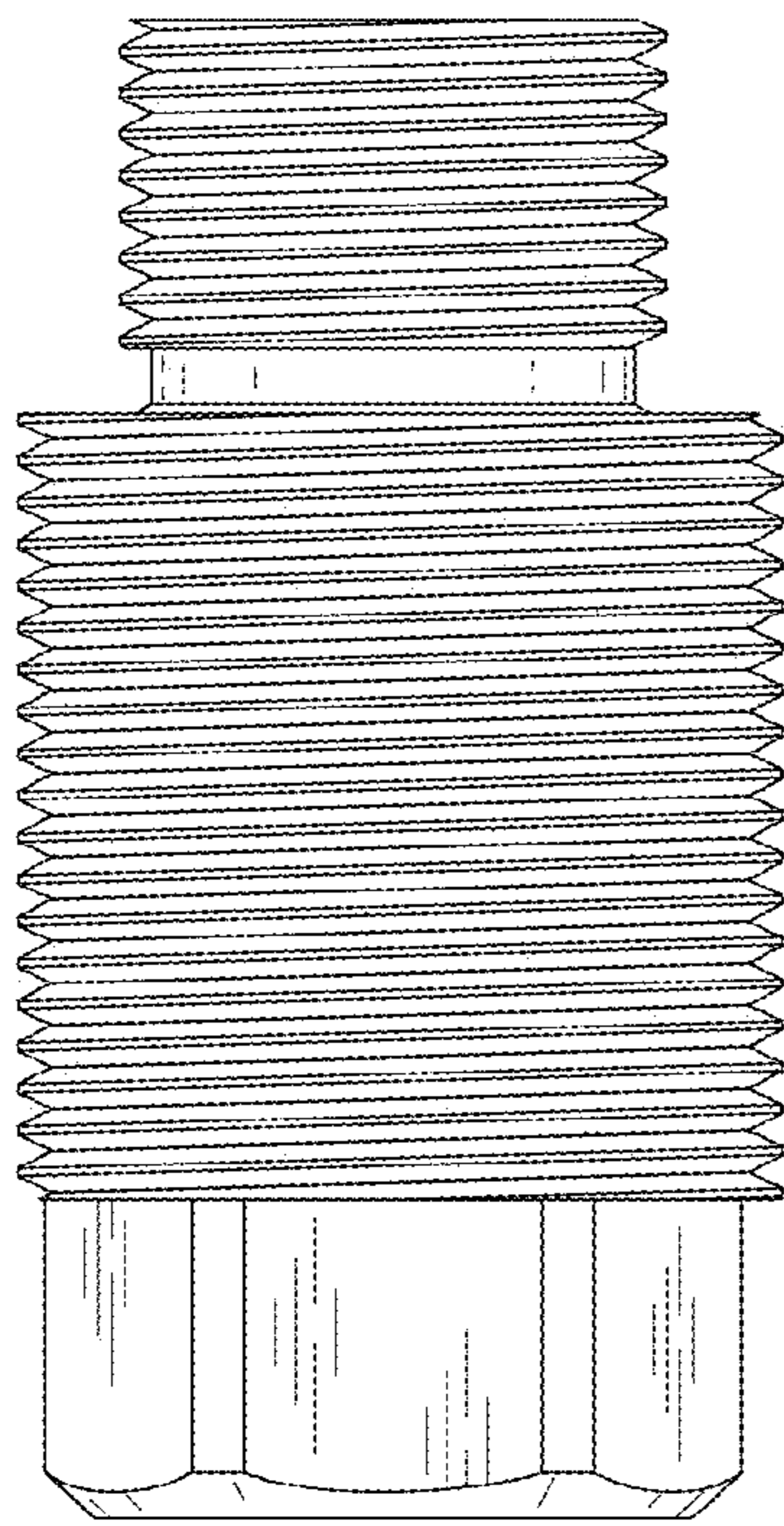


Fig. 6

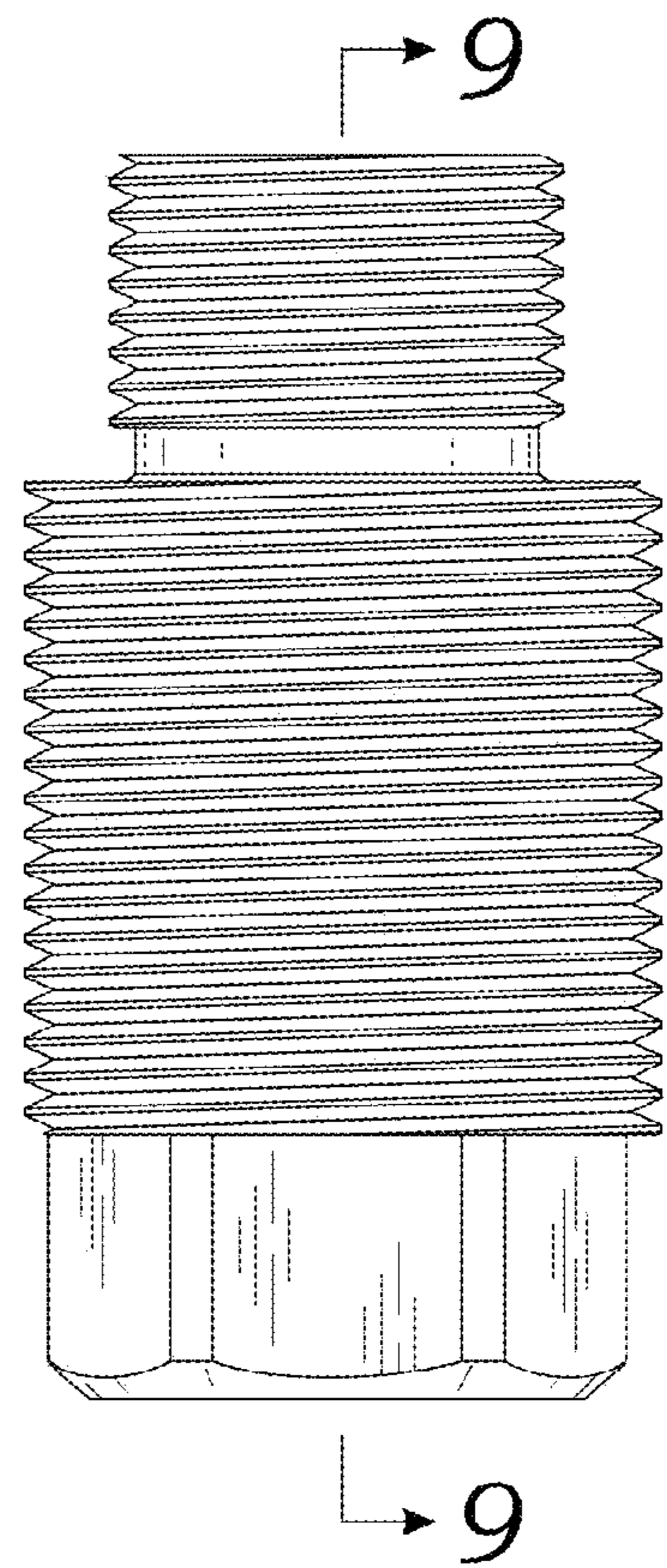


Fig. 7

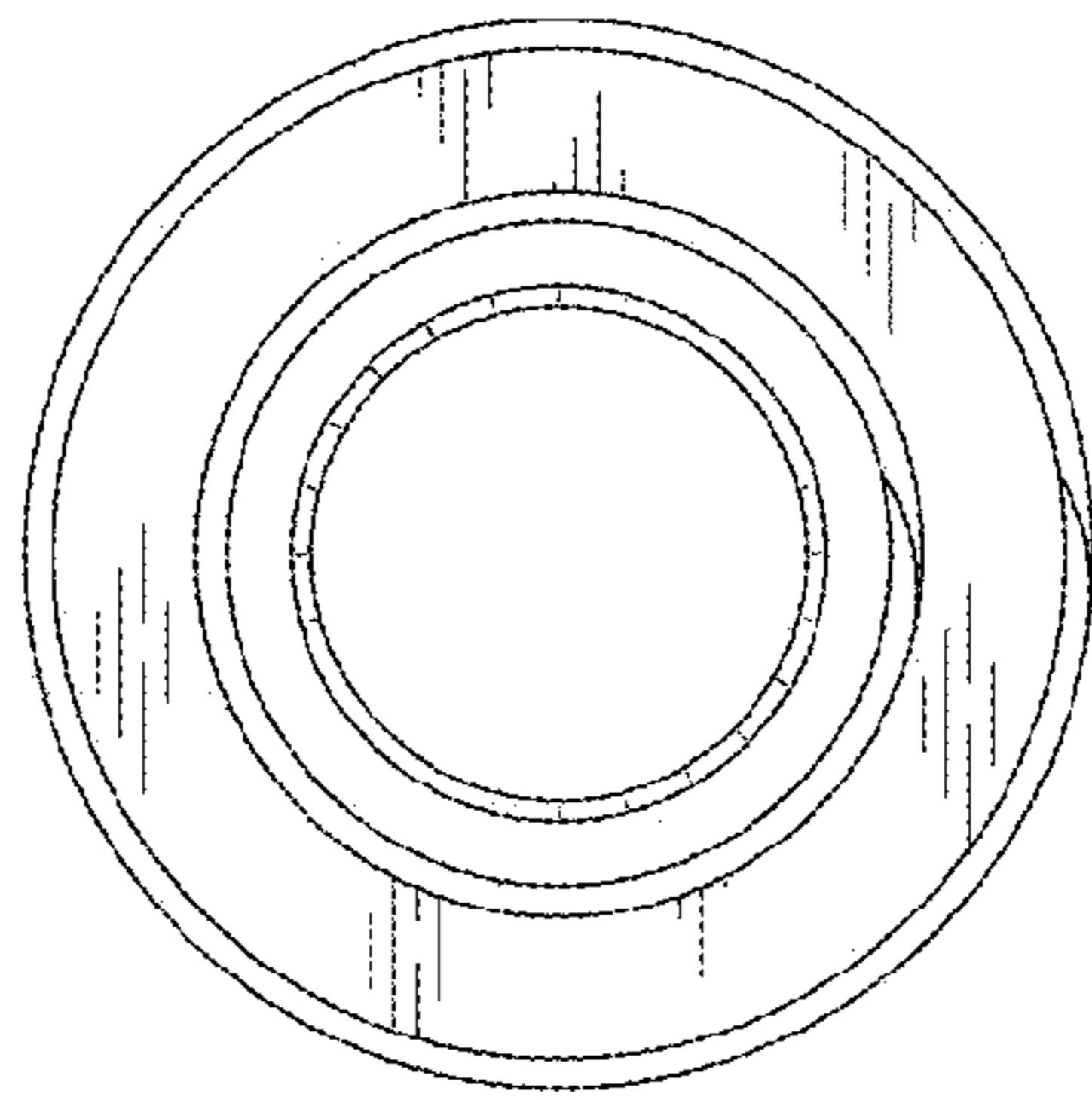


Fig. 8

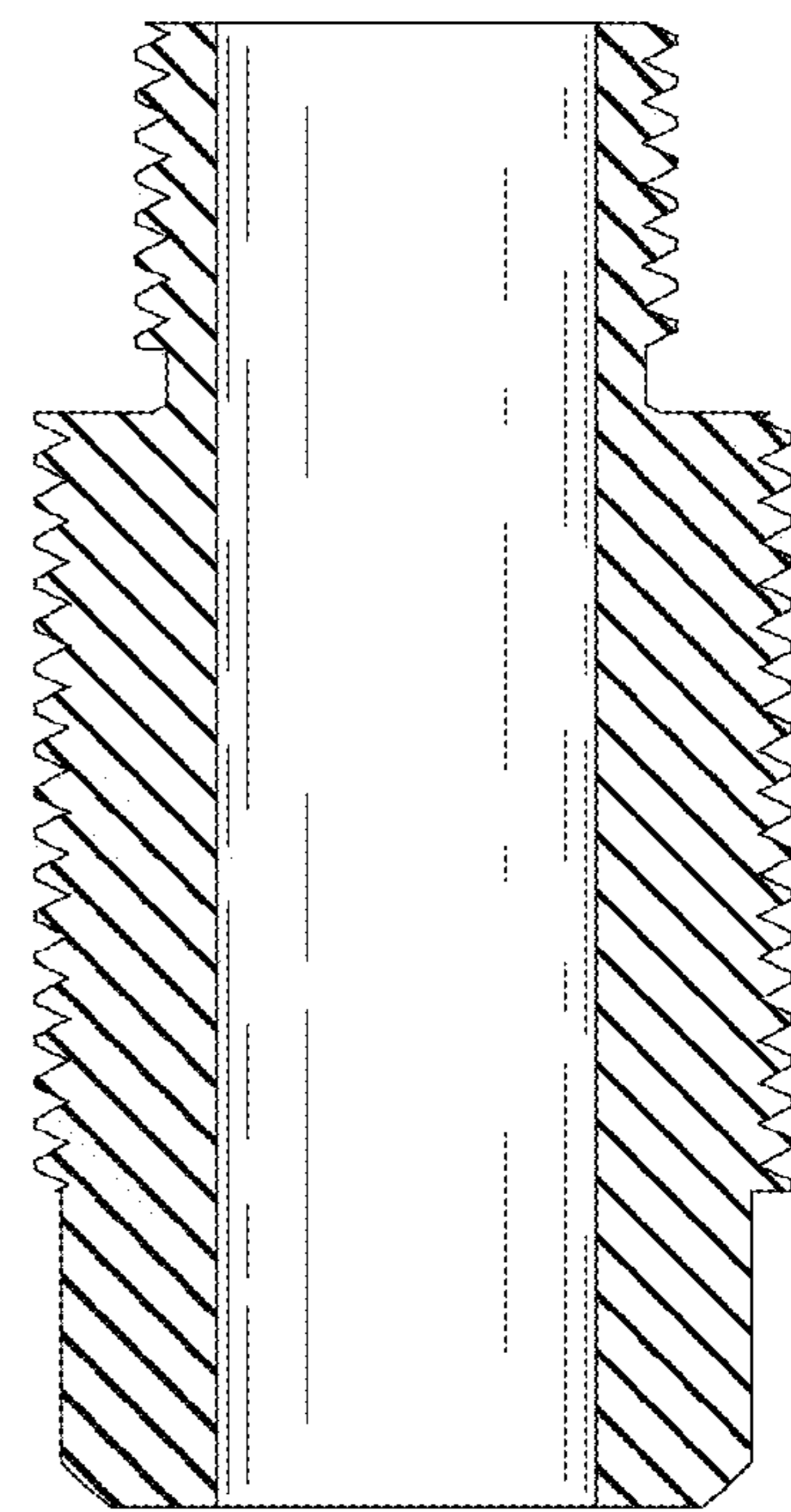
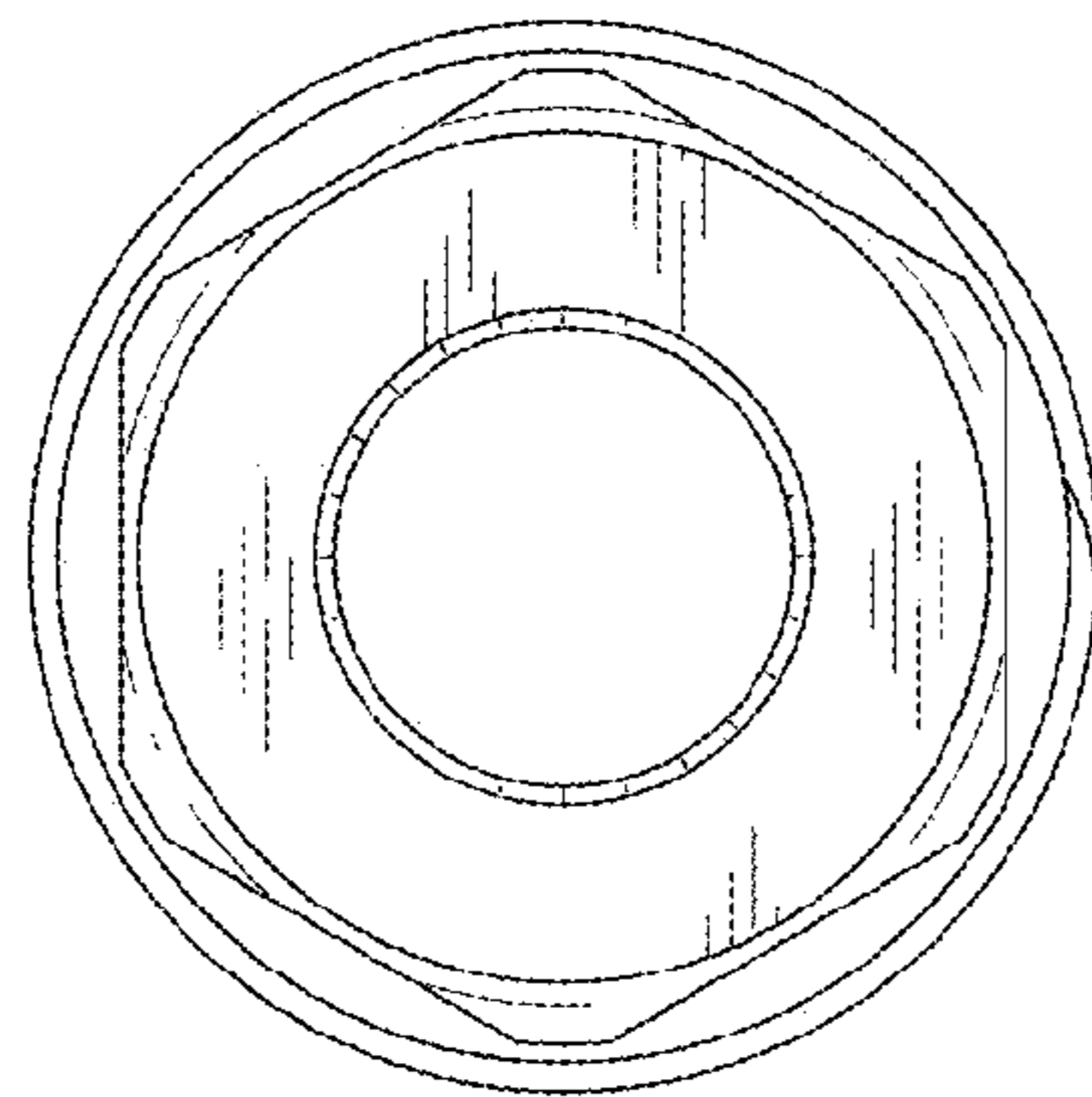


Fig. 9