



US00D896625S

(12) **United States Design Patent** (10) **Patent No.:** **US D896,625 S**
Lah (45) **Date of Patent:** **** Sep. 22, 2020**

(54) **CONNECTOR FOR MODULAR RACKS**
(71) Applicant: **DONGAH ALUMINUM CORPORATION**, Seo-gu, Incheon (KR)
(72) Inventor: **Jeh-Kun Lah**, Seoul (KR)
(73) Assignee: **DONGAH ALUMINUM CORPORATION**, Seo-Gu, Incheon (KR)

(**) Term: **15 Years**

(21) Appl. No.: **29/675,938**

(22) Filed: **Jan. 7, 2019**

(30) **Foreign Application Priority Data**

Jul. 17, 2018 (KR) 30-2018-0033040

(51) **LOC (12) Cl.** **08-08**

(52) **U.S. Cl.**
USPC **D8/382**

(58) **Field of Classification Search**
USPC D8/382, 349, 354, 395, 396; D6/681, D6/681.2, 702, 704, 705, 705.4
CPC A47B 47/0091; A47B 47/0016; A47B 47/0025; A47B 47/0033; A47B 47/0041; A47B 47/005; A47B 96/06; A47B 55/02
See application file for complete search history.

(56) **References Cited**

U.S. PATENT DOCUMENTS

3,682,504 A * 8/1972 Brimberg E04G 7/18 403/23
4,039,263 A * 8/1977 Bassler E04B 1/1906 403/218
4,313,687 A * 2/1982 Martinez Apeztegui E04B 1/1903 403/171

4,915,533 A * 4/1990 de la Haye E04B 1/1906 403/171
5,095,677 A * 3/1992 Godbout A47B 47/0008 403/176
5,549,408 A * 8/1996 Lo A47B 47/0016 403/171
6,273,633 B1 * 8/2001 Husson A47B 47/0016 403/171
6,669,036 B1 * 12/2003 Yang A47B 47/0033 211/181.1
D529,794 S * 10/2006 Murray D8/396
D621,356 S * 8/2010 Tsai D13/133
D726,529 S * 4/2015 McCallum D8/382
9,360,034 B2 * 6/2016 Augustsson F16B 7/0486
D762,454 S * 8/2016 Thouement D8/349
D771,481 S * 11/2016 Alvarez D11/202
2002/0118998 A1 * 8/2002 Boxenbaum E04B 1/585 403/141
2009/0020669 A1 * 1/2009 Wang A47B 47/06 248/220.1
2011/0095527 A1 * 4/2011 Miyoshi F16B 7/185 285/334.1

(Continued)

Primary Examiner — Sandra S Snapp
Assistant Examiner — Ieisha N Price
(74) *Attorney, Agent, or Firm* — Nixon Peabody LLP; Jeffrey L. Costellia

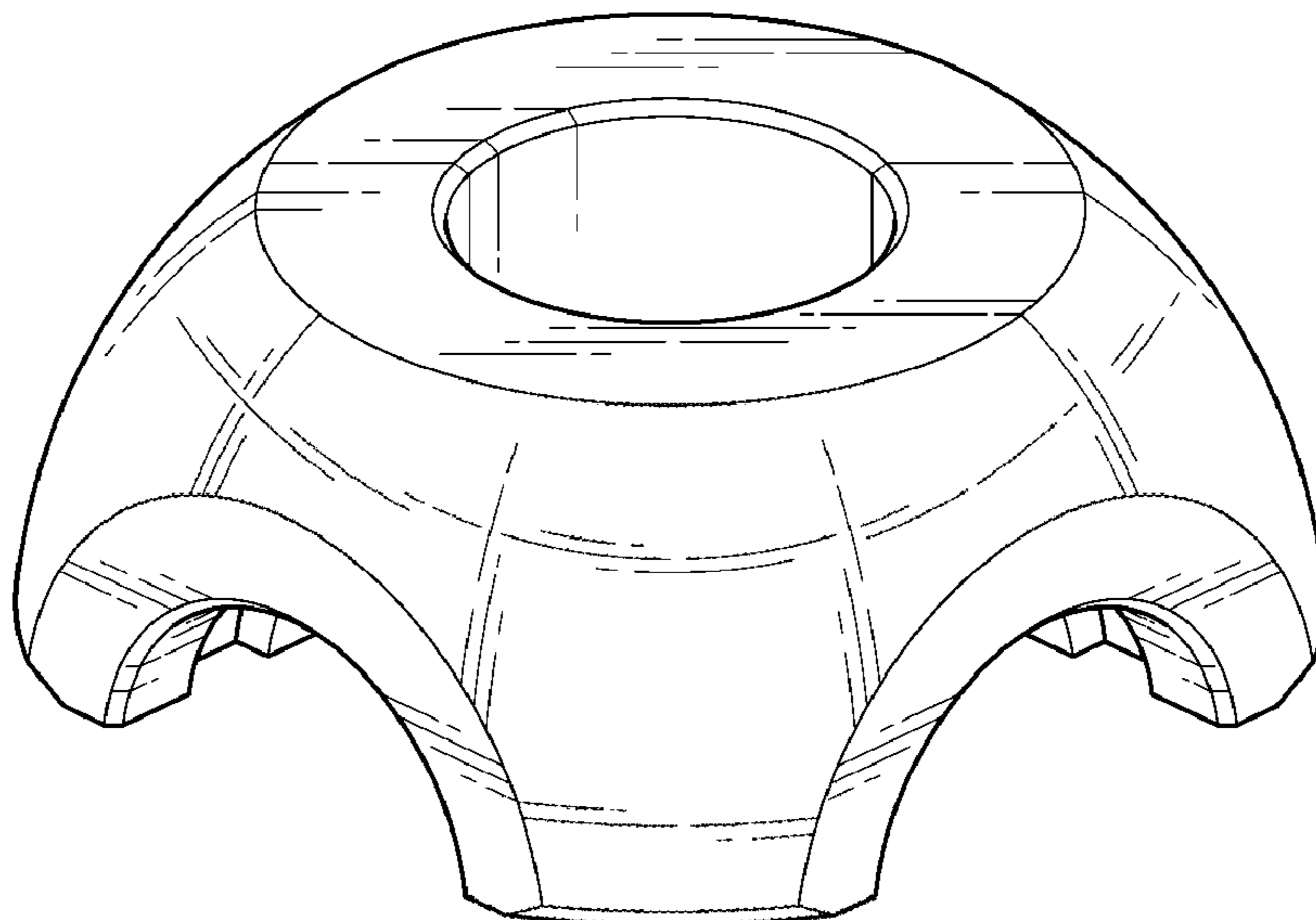
(57) **CLAIM**

The ornamental design for a connector for modular racks, as shown and described.

DESCRIPTION

FIG. 1 is a perspective view of new design for a connector for modular racks as shown in the drawings;
FIG. 2 is a front elevation view thereof;
FIG. 3 is a rear elevation view thereof;
FIG. 4 is a left side view thereof;
FIG. 5 is a right side view thereof;
FIG. 6 is a top plan view thereof; and,
FIG. 7 is a bottom plan view.

1 Claim, 4 Drawing Sheets



(56)

References Cited

U.S. PATENT DOCUMENTS

2015/0167713 A1* 6/2015 Schaerer H01R 11/09
403/171
2018/0238365 A1* 8/2018 Gillatt E04B 1/585

* cited by examiner

Fig. 1

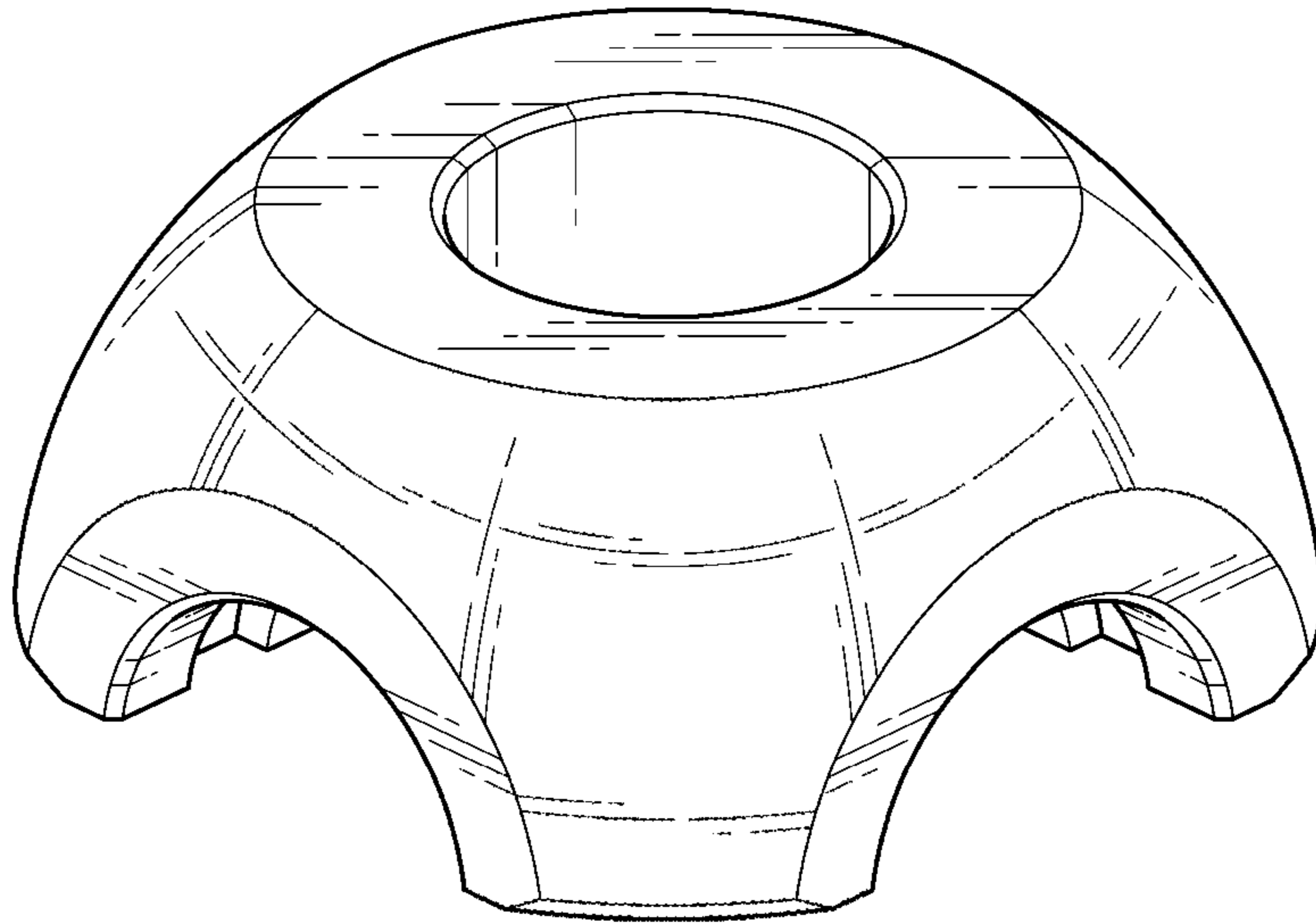


Fig. 2

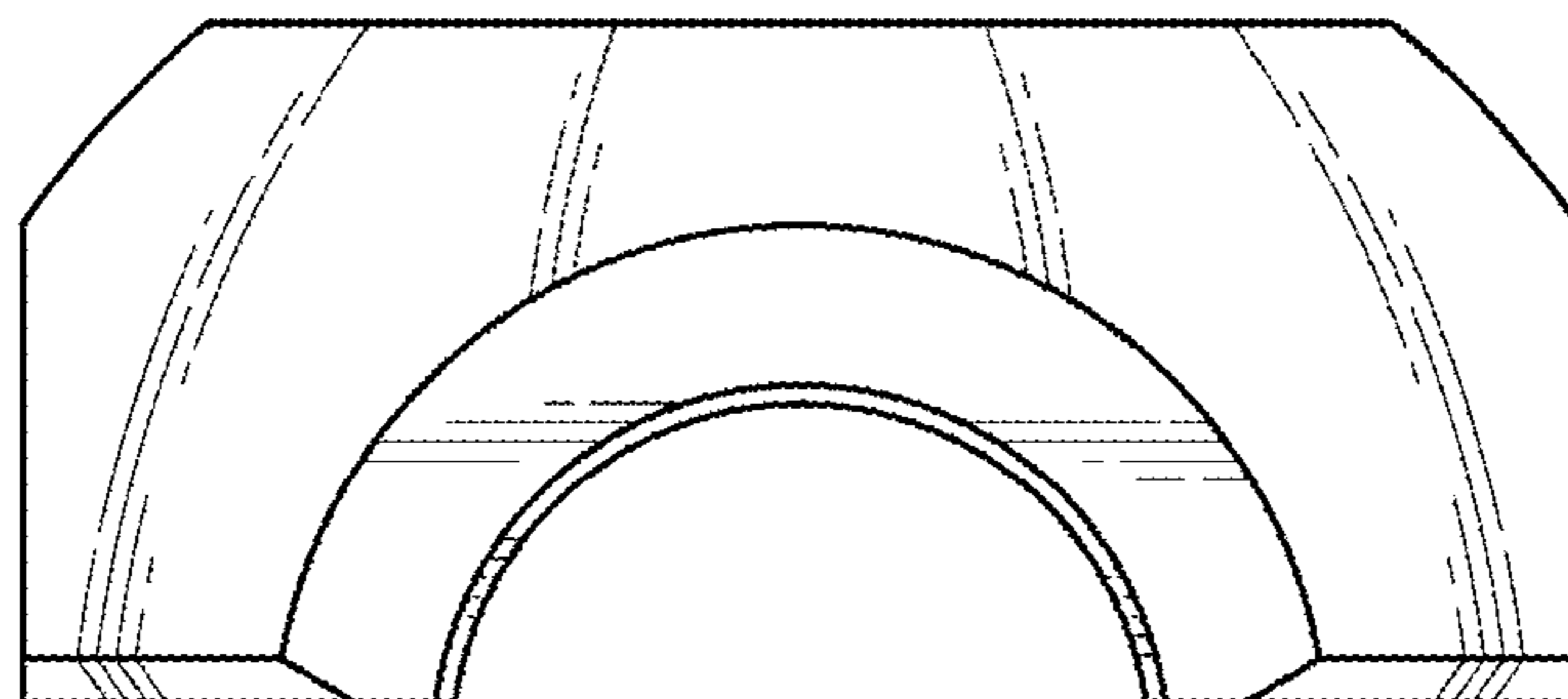


Fig. 3

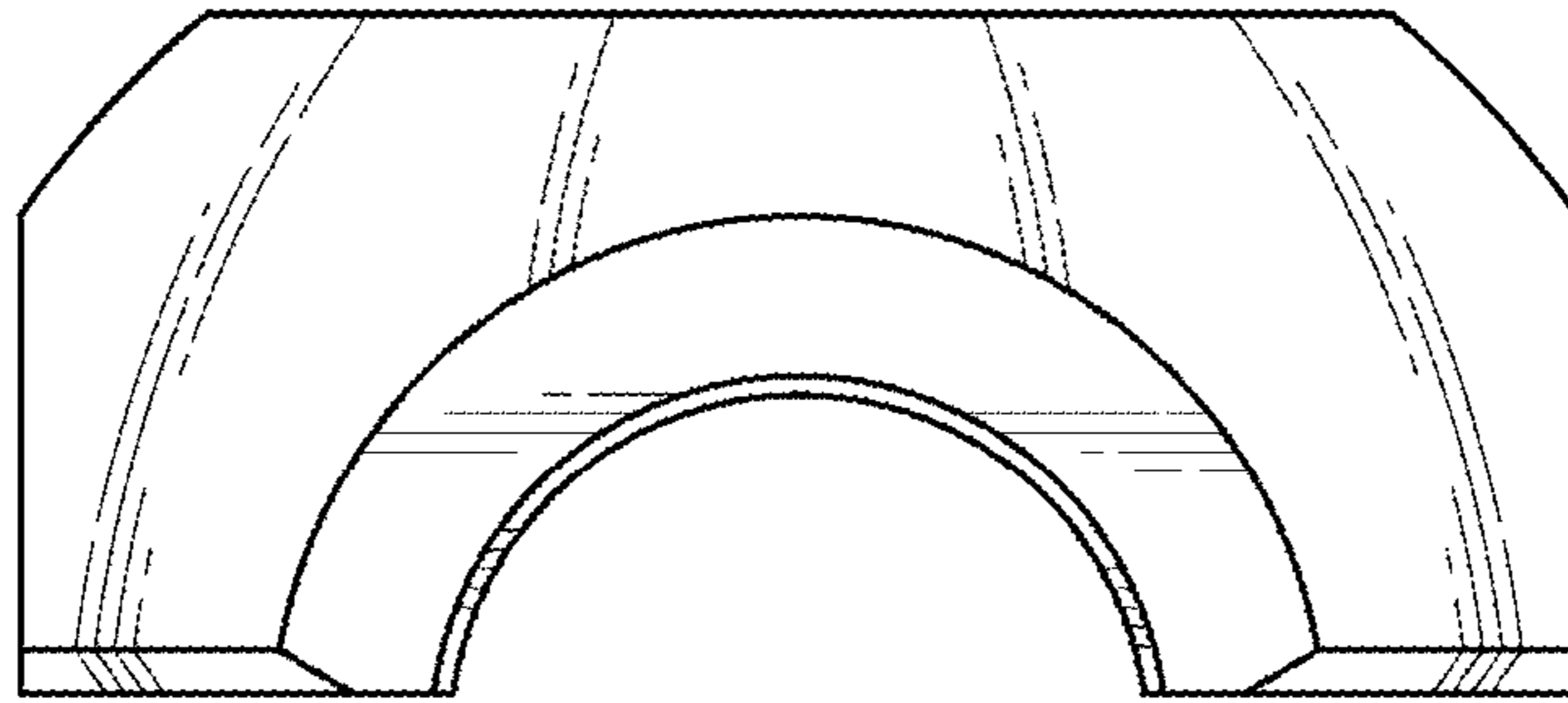


Fig. 4

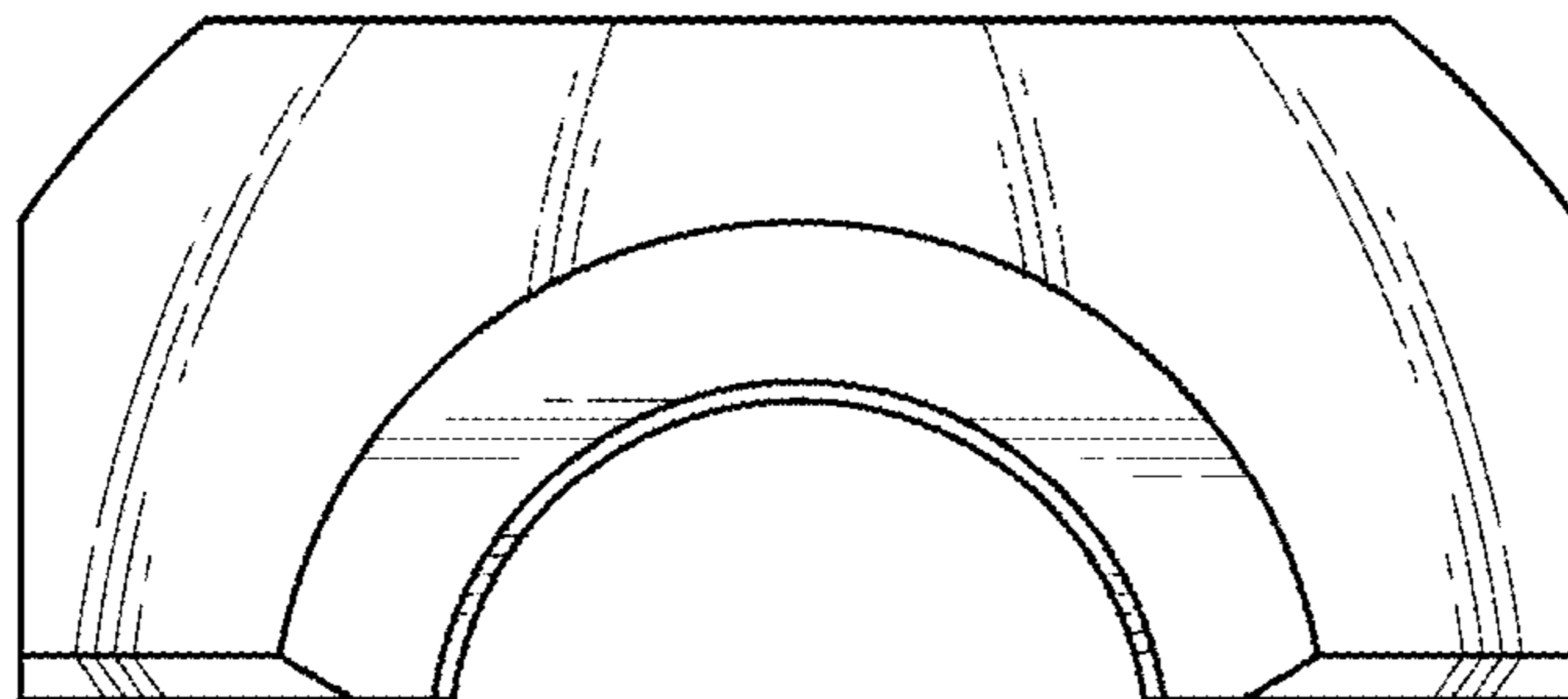


Fig. 5

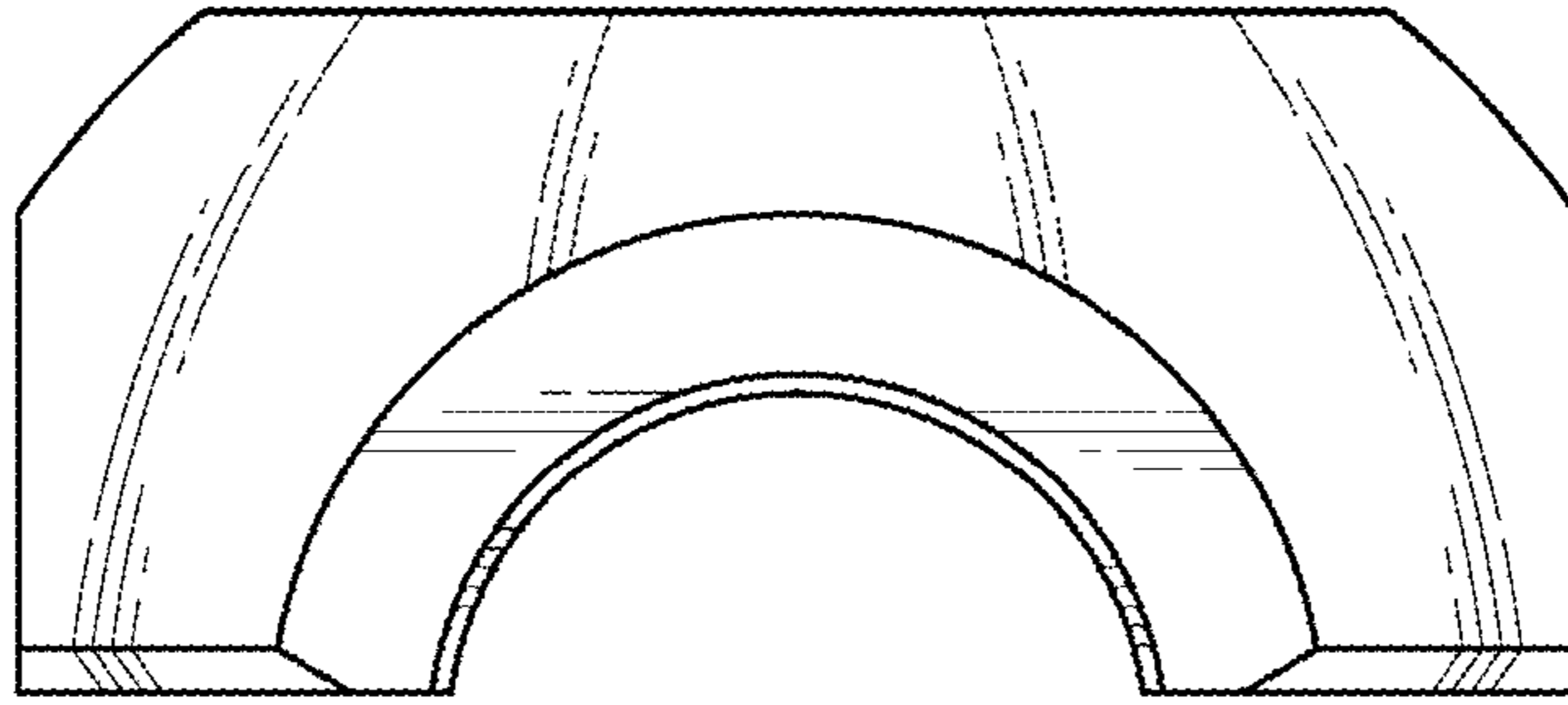


Fig. 6

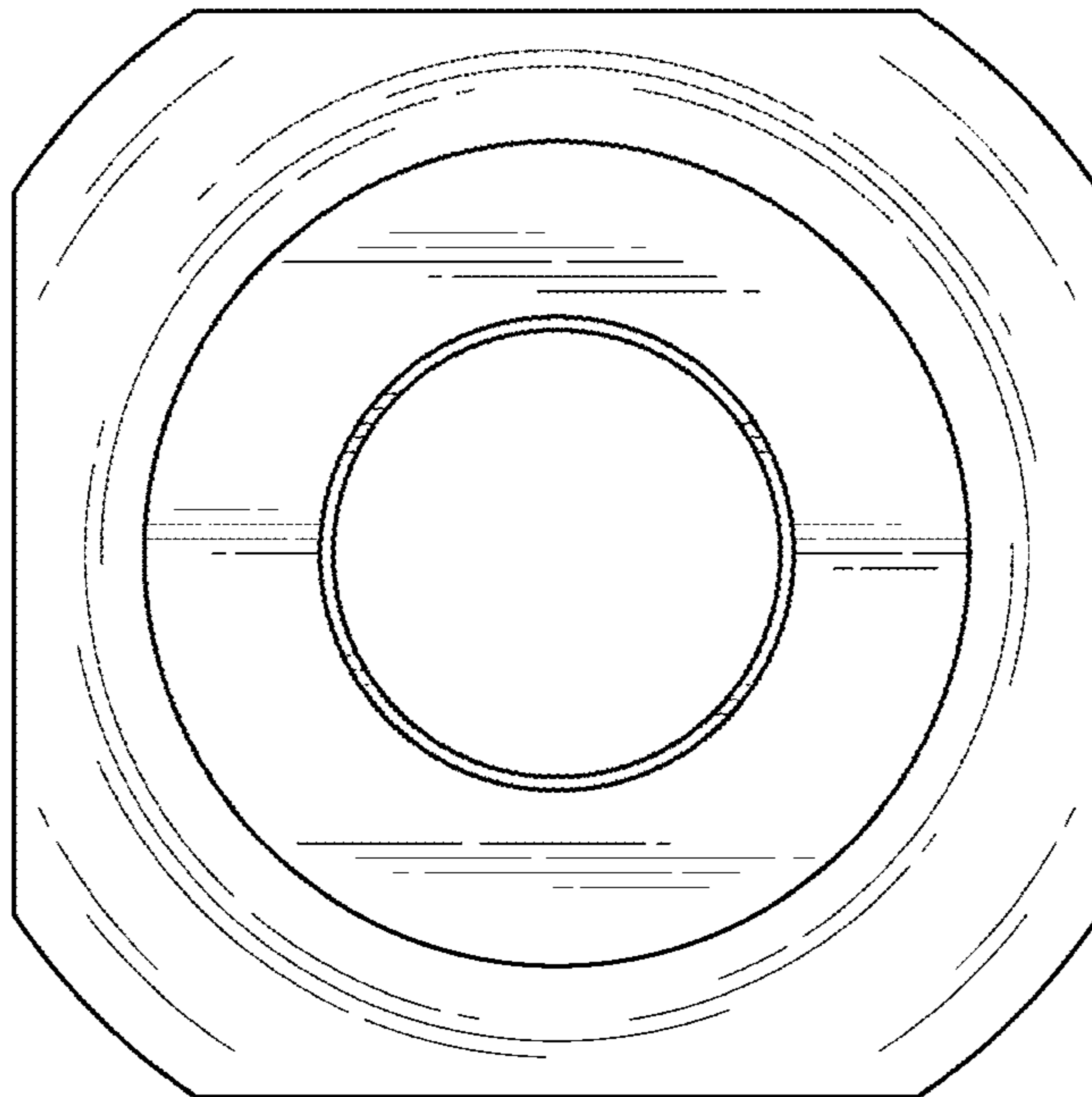


Fig. 7

