



US00D896624S

(12) **United States Design Patent** (10) **Patent No.:** **US D896,624 S**
Wang (45) **Date of Patent:** **** Sep. 22, 2020**

(54) **FASTENER** D835,692 S * 12/2018 Susin D15/144
D836,755 S * 12/2018 Dale D23/259
(71) Applicant: **FIVETECH TECHNOLOGY INC.,** D836,976 S * 1/2019 Reese D7/396.2
New Taipei (TW) D864,391 S * 10/2019 Sweeney D24/146
2008/0246202 A1 * 10/2008 Wang F16B 1/0071
(72) Inventor: **Ting-Jui Wang,** New Taipei (TW) 2010/0088886 A1 * 4/2010 Wang H05K 3/3447
29/840
(73) Assignee: **FIVETECH TECHNOLOGY INC.,** 2012/0099943 A1 * 4/2012 Chiu F16B 5/0208
New Taipei (TW) 411/347
2015/0260216 A1 * 9/2015 Tseng F16B 39/02
(**) Term: **15 Years** 411/103
2015/0292538 A1 * 10/2015 He F16B 5/0208
411/166

(21) Appl. No.: **29/647,468**

(22) Filed: **May 14, 2018**

(51) **LOC (12) Cl.** **08-08**

(52) **U.S. Cl.**
USPC **D8/382**

(58) **Field of Classification Search**
USPC D8/354, 382, 387, 395, 499
CPC F16B 41/002; F16B 5/0208; F16B 39/28;
Y10S 411/97; Y10S 411/999
See application file for complete search history.

* cited by examiner

Primary Examiner — Sandra S Snapp
Assistant Examiner — Ieisha N Price
(74) *Attorney, Agent, or Firm* — Schmeiser, Olsen & Watts, LLP

(57) **CLAIM**

The ornamental design for a fastener, as shown and described.

(56) **References Cited**

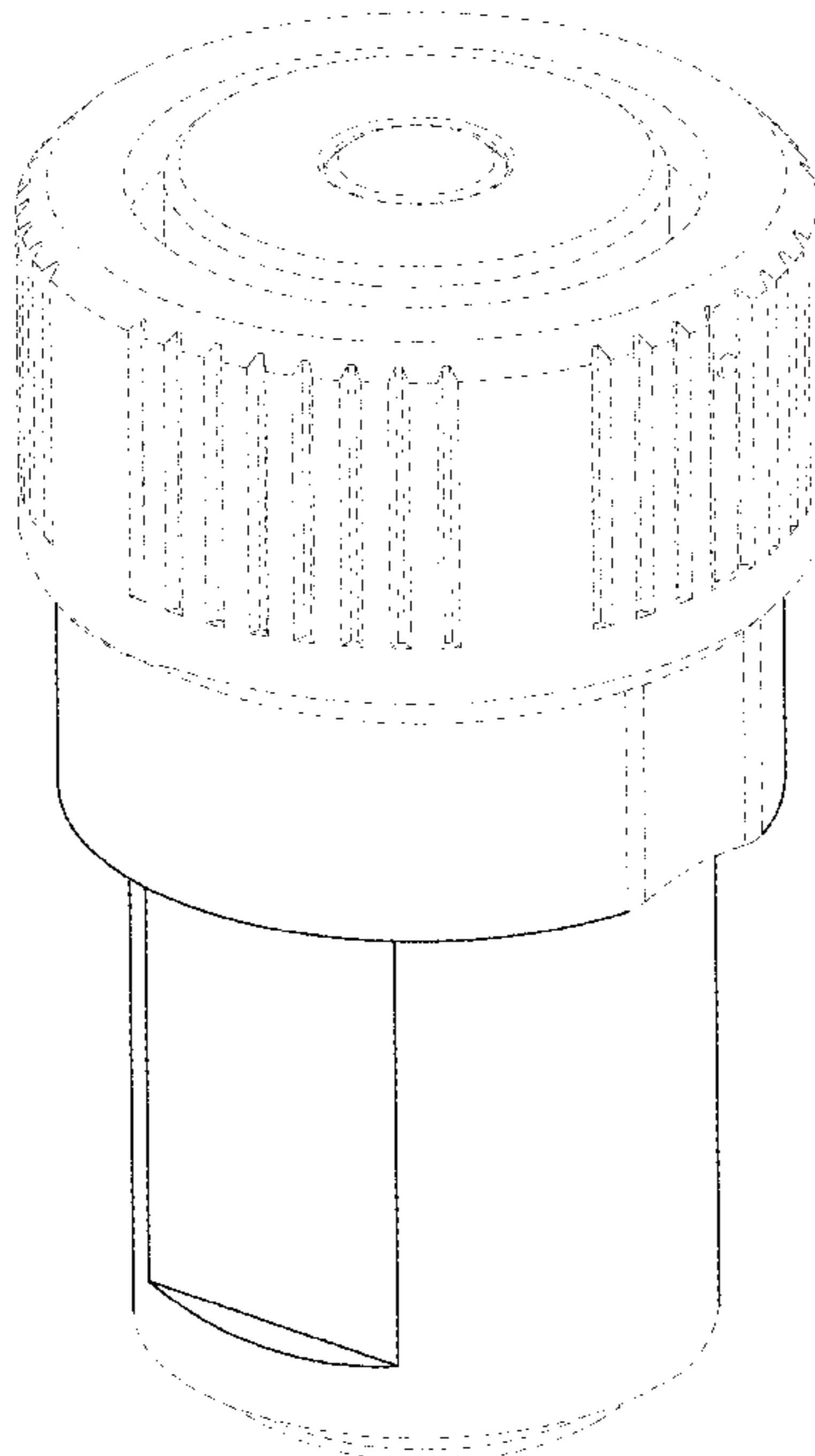
U.S. PATENT DOCUMENTS

D263,278 S * 3/1982 Toohil D8/331
D289,405 S * 4/1987 Nystrom D15/138
5,856,647 A * 1/1999 Luo B23K 10/00
219/121.48
D681,434 S * 5/2013 Wang D8/387
8,893,369 B2 * 11/2014 Wang H05K 3/3447
29/453
D779,046 S * 2/2017 Tansey, Jr. D23/262
D805,367 S * 12/2017 Winslow D8/331
D806,147 S * 12/2017 Inkster D15/131
D809,579 S * 2/2018 Buss D15/144
D823,101 S * 7/2018 Wassdahl D8/382

DESCRIPTION

FIG. 1 is a perspective view of a fastener showing my new design;
FIG. 2 is a front elevation view thereof;
FIG. 3 is a rear elevation view thereof;
FIG. 4 is a left side elevation view thereof;
FIG. 5 is a right side elevation view thereof;
FIG. 6 is a top plan view thereof; and,
FIG. 7 is a bottom plan view thereof.
The broken lines in the drawings illustrate portions of the Fastener and form no part of the claimed design.

1 Claim, 7 Drawing Sheets



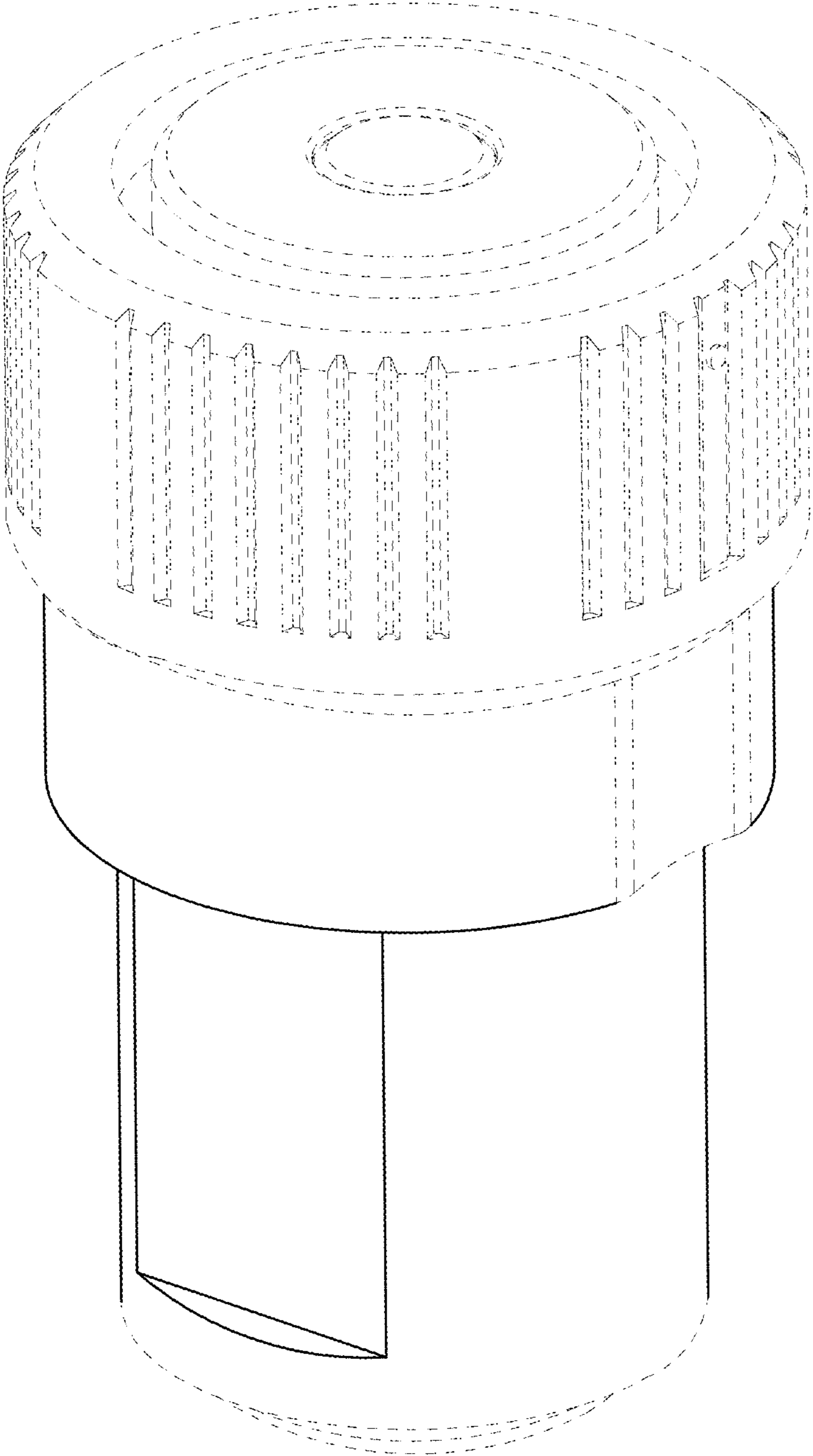


FIG. 1

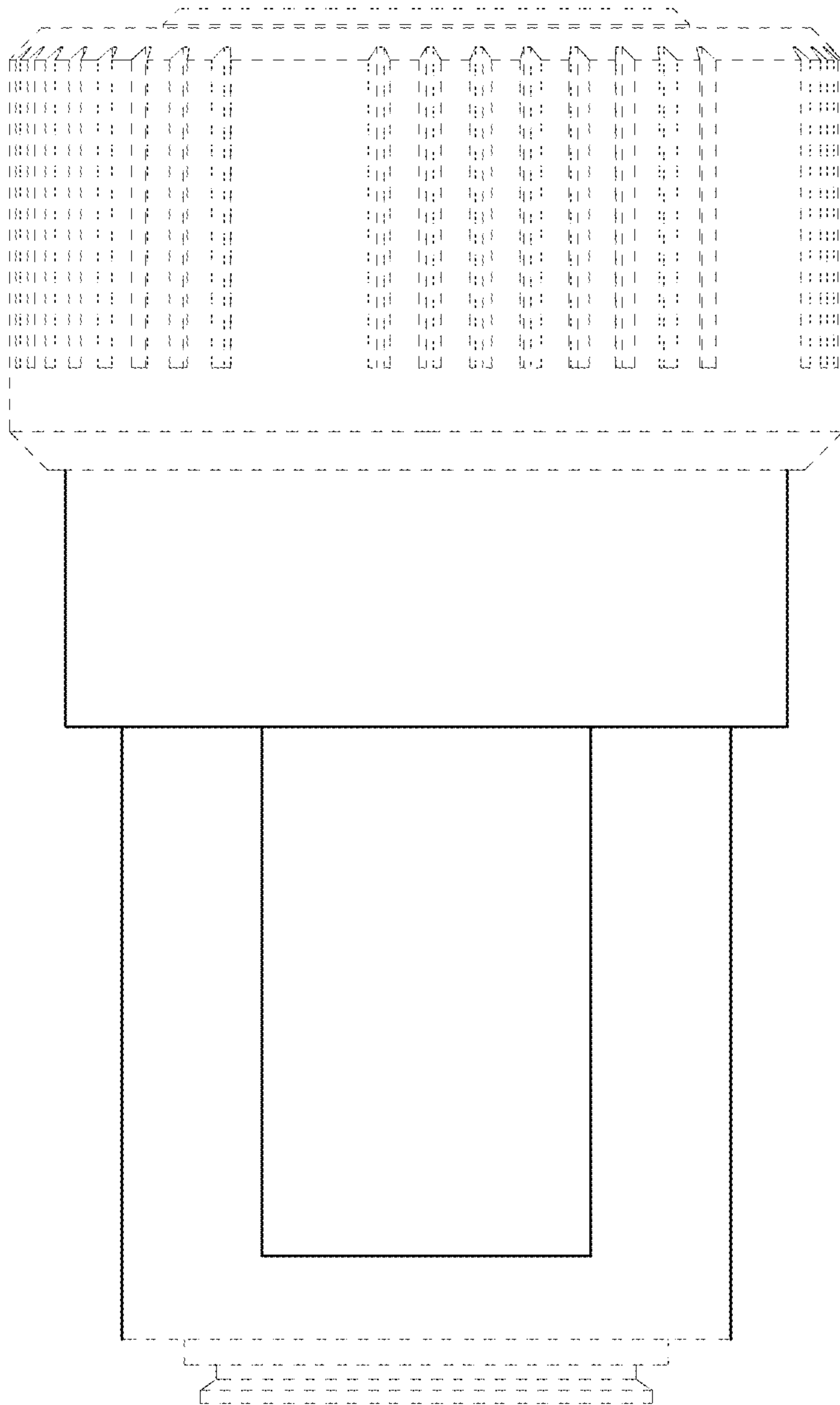


FIG. 2

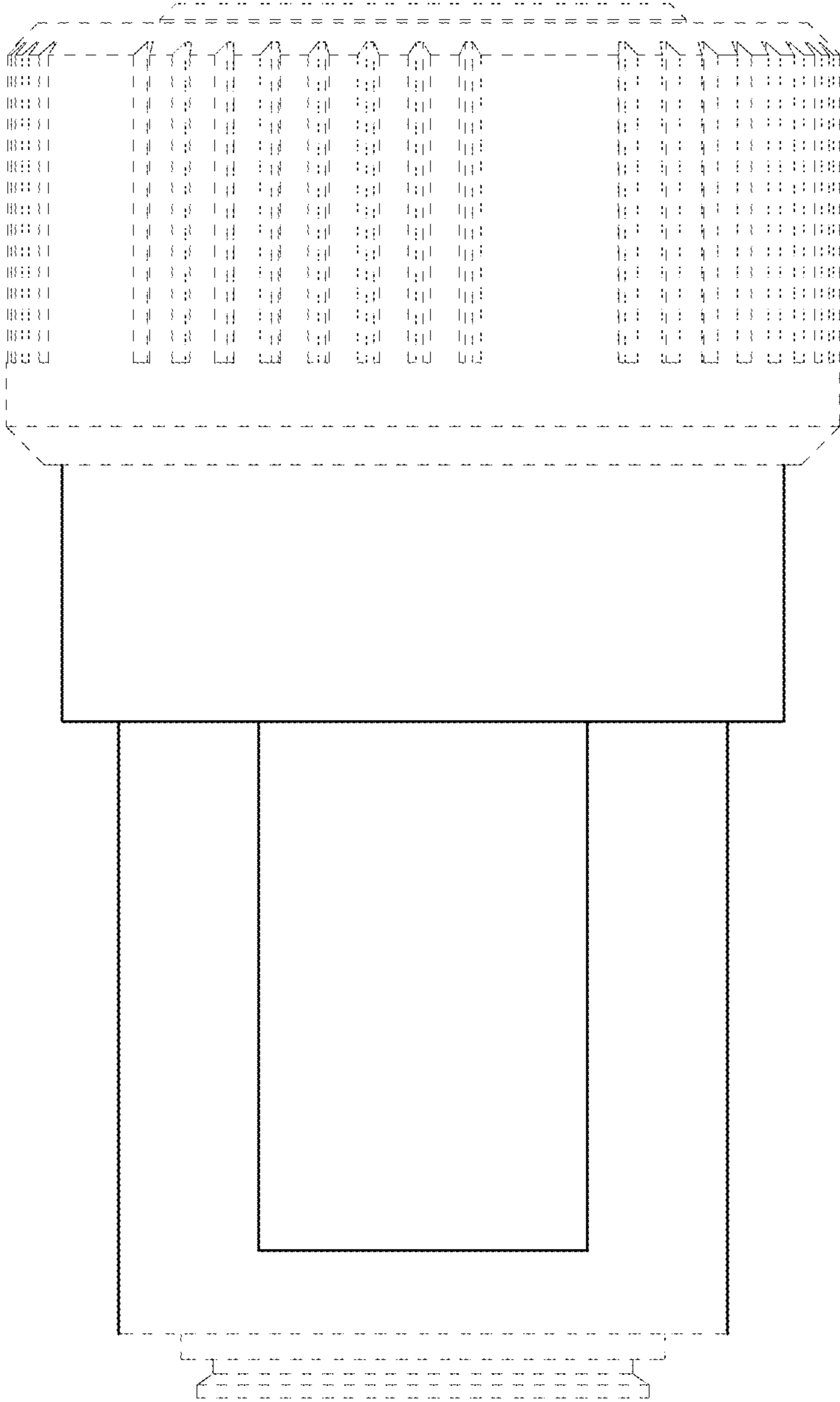


FIG. 3

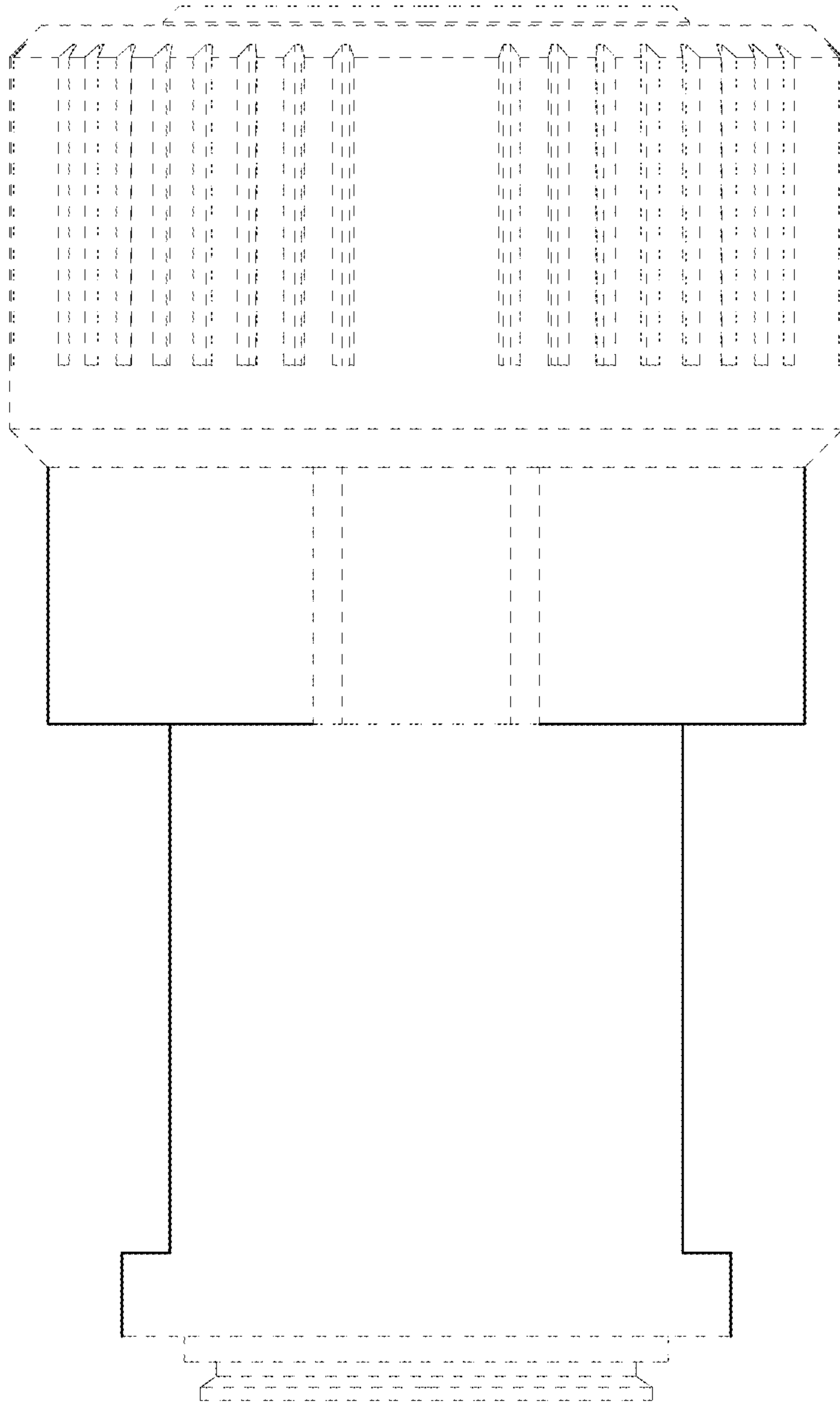


FIG. 4

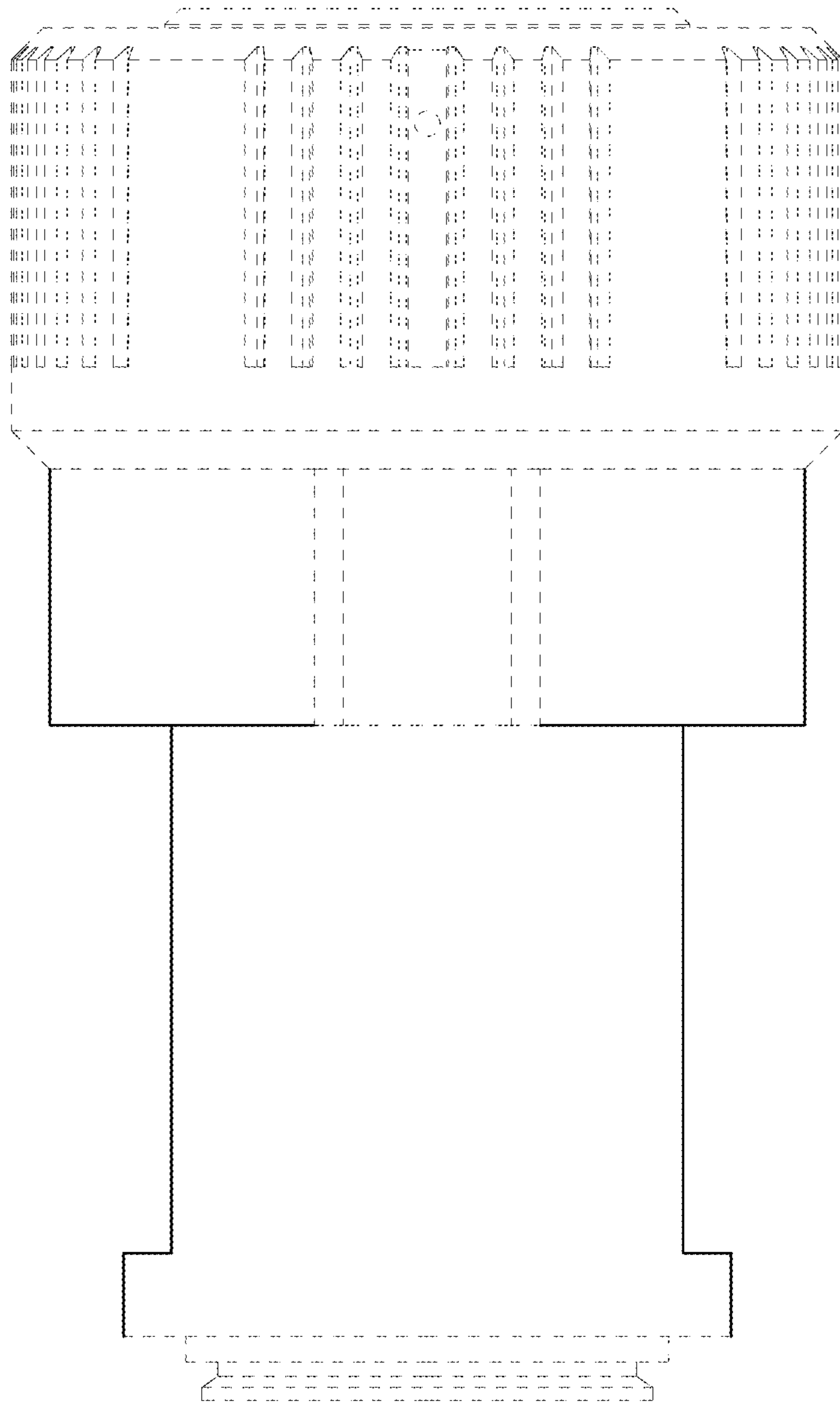


FIG. 5

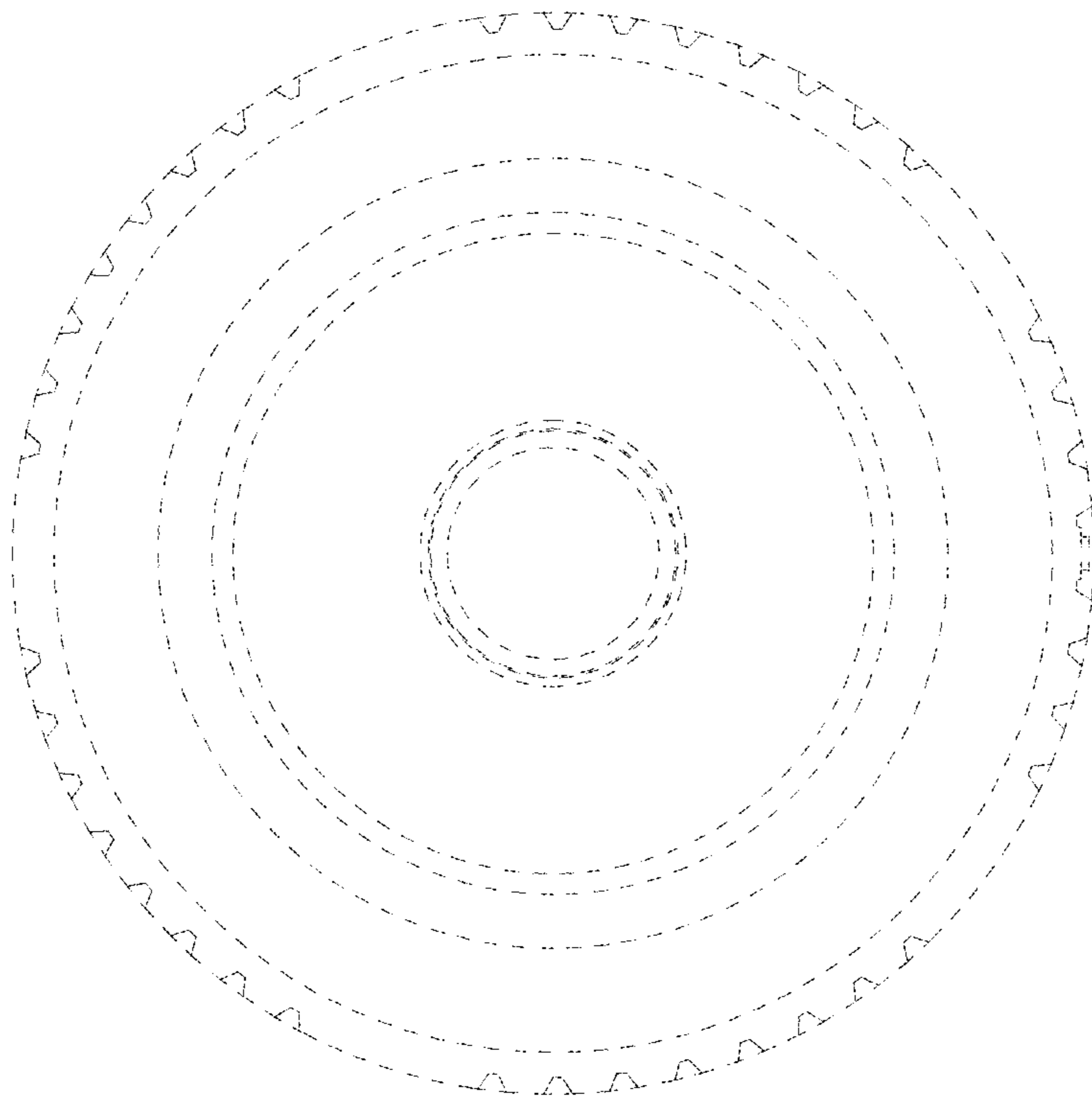


FIG. 6

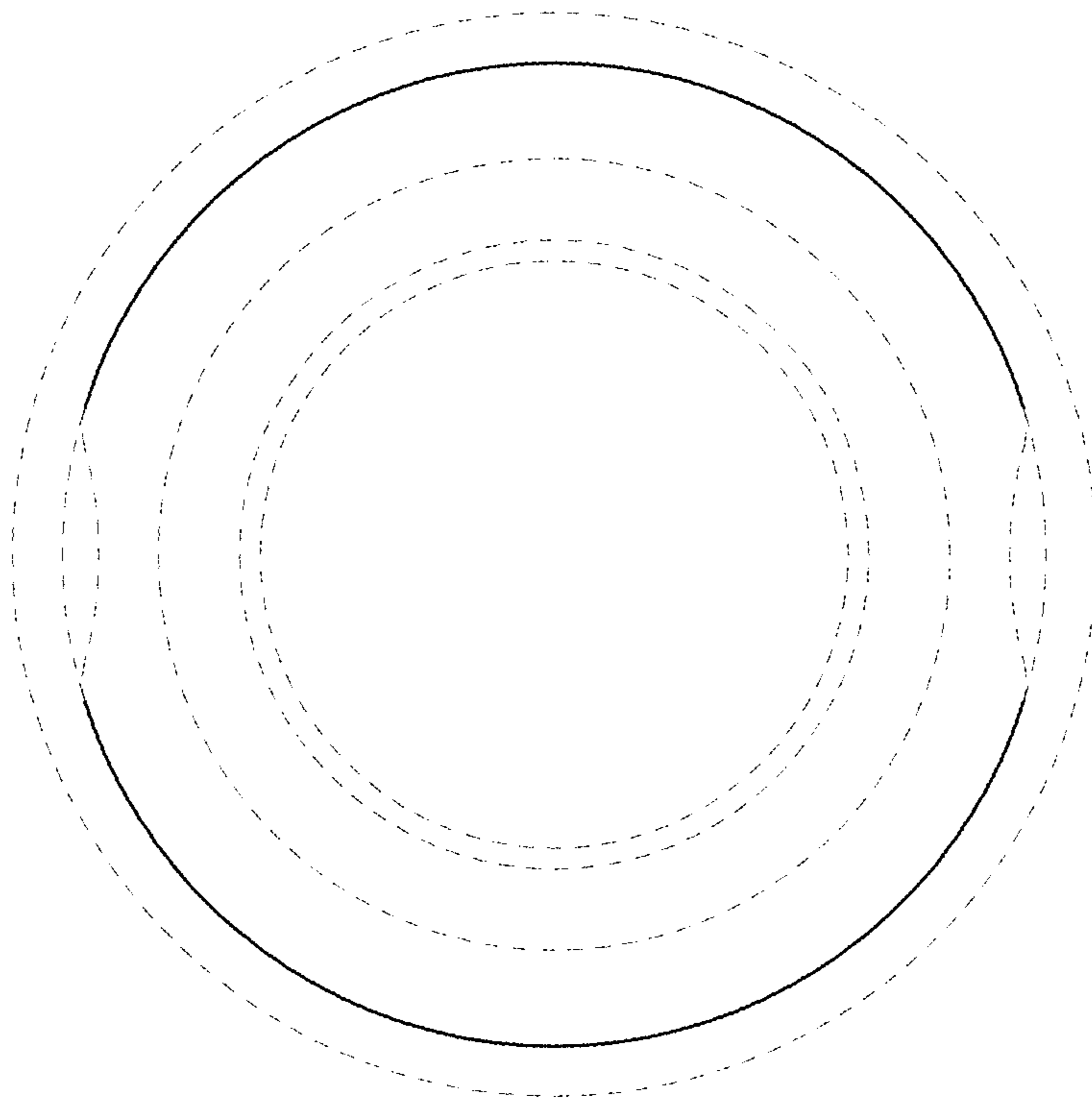


FIG. 7