

US00D896623S

(12) **United States Design Patent**  
**Ercole Auffray et al.**

(10) **Patent No.:** **US D896,623 S**  
(45) **Date of Patent:** **\*\* Sep. 22, 2020**

(54) **SHELF BRACKET**

(71) Applicant: **Clairson, Inc.**, Newark, DE (US)

(72) Inventors: **Emmanuel Ercole Auffray**,  
Gainesville, FL (US); **Dominic George Fasino**,  
Gainesville, FL (US); **Daniel Wayne Brinton, Jr.**,  
Ocala, FL (US)

(73) Assignee: **Clairson, Inc.**, Newark, DE (US)

(\*\*) Term: **15 Years**

(21) Appl. No.: **29/667,404**

(22) Filed: **Oct. 22, 2018**

**Related U.S. Application Data**

(63) Continuation of application No. 29/591,093, filed on  
Jan. 17, 2017, now Pat. No. Des. 831,473.

(51) **LOC (12) Cl.** ..... **08-05**

(52) **U.S. Cl.**  
USPC ..... **D8/381**

(58) **Field of Classification Search**  
USPC ..... D8/380, 381, 400, 402, 499  
CPC ..... A47B 96/061; A47B 57/42; A47B 57/52;  
A47B 57/56; A47B 96/06; A47G 25/0692  
See application file for complete search history.

(56) **References Cited**

**U.S. PATENT DOCUMENTS**

D23,731 S	10/1894	Burgess	
D14,909 S	11/1895	Corscaden	
D24,909 S *	11/1895	Corscaden	D8/381
D26,927 S *	4/1897	Held	D8/381
D29,927 S	4/1897	Held	
2,859,879 A *	11/1958	Rogers	A47B 96/027 211/90.01
2,900,085 A	8/1959	Levy	
2,908,471 A *	10/1959	Hollansworth	A47B 96/027 248/247
3,669,395 A	6/1972	Gehrke	

3,695,569 A	10/1972	Pullan
3,702,591 A	11/1972	Banse
D315,862 S	4/1991	Specker, Jr.
D365,016 S	12/1995	Hollinger
5,582,303 A	12/1996	Sloan
6,053,465 A	4/2000	Kluge

(Continued)

**OTHER PUBLICATIONS**

Black steel aris decorative shelf bracket; www.homedepot.com;  
accessed Dec. 19, 2016; 2 pgs.

(Continued)

*Primary Examiner* — George D. Kirschbaum

*Assistant Examiner* — Maria J Edwards

(74) *Attorney, Agent, or Firm* — Brooks Kushman P.C.

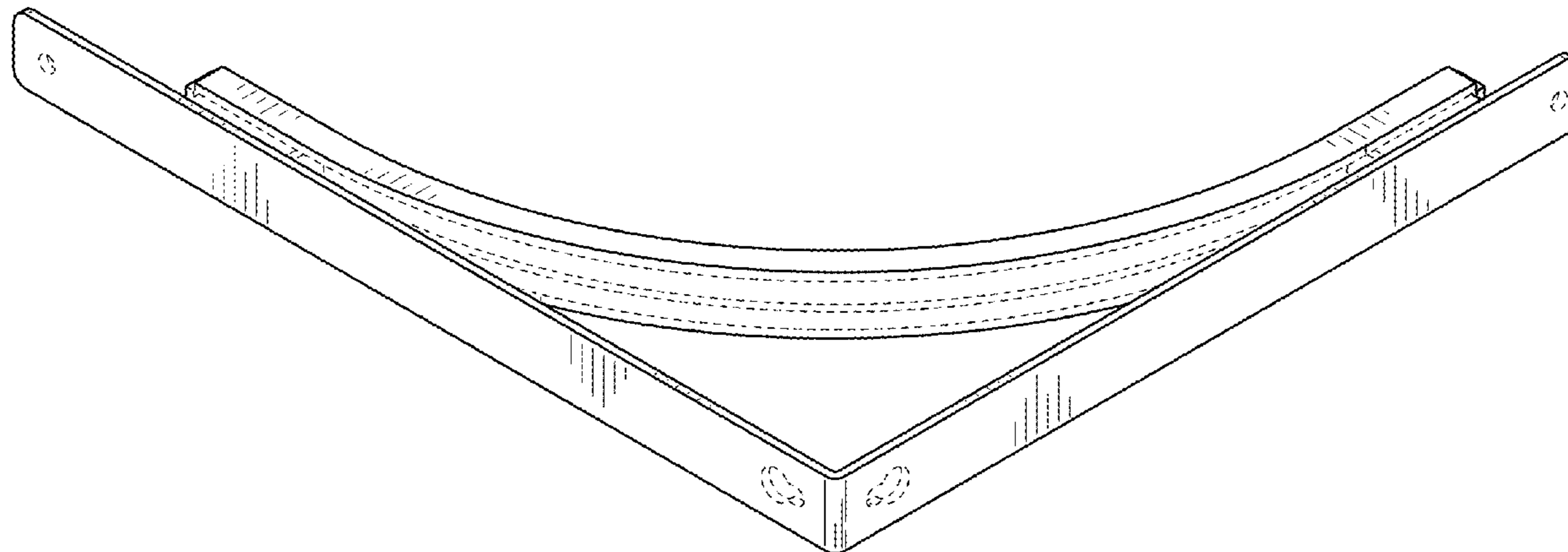
(57) **CLAIM**

The ornamental design for a shelf bracket, as shown and  
described.

**DESCRIPTION**

FIG. 1 is a perspective view of a shelf bracket showing our  
new design;  
FIG. 2 is a front elevation view of the shelf bracket shown  
in FIG. 1;  
FIG. 3 is a back elevation of the shelf bracket shown in FIG.  
1;  
FIG. 4 is a right elevation view of the shelf bracket shown  
in FIG. 1;  
FIG. 5 is a left elevation view of the shelf bracket shown in  
FIG. 1;  
FIG. 6 is a bottom plan view of the shelf bracket shown in  
FIG. 1; and,  
FIG. 7 is a top plan view of the shelf bracket shown in FIG.  
1.  
In the drawings, the broken lines depict portions of the  
article and form no part of the claimed design.

**1 Claim, 4 Drawing Sheets**



(56)

**References Cited**

U.S. PATENT DOCUMENTS

D605,029 S	12/2009	Puksta	
D605,932 S	12/2009	Piersant	
D763,009 S	8/2016	Murphy	
D797,989 S	9/2017	Herft	
D798,496 S	9/2017	Herft	
D811,205 S	2/2018	Hanley	
D813,021 S	3/2018	Hanley	
D813,022 S	3/2018	Hanley	
D831,473 S	* 10/2018	Ercole Auffray	..... D8/381

OTHER PUBLICATIONS

Black arch steel decorative shelf bracket; [www.homedepot.com](http://www.homedepot.com);  
accessed Dec. 19, 2016; 2 pgs.

Closet Maid 1409 Shelving Hang Rod Support Hook, posted at [amazon.com](http://amazon.com), posting date Jan. 11, 2018, (online), (site visited Apr. 5, 2018). Available from Internet, URL: [https://www.amazon.com/ClosetMaid-1408-Premium-Shelving\\_nickel-Hang/dp/B074VC8LK4](https://www.amazon.com/ClosetMaid-1408-Premium-Shelving_nickel-Hang/dp/B074VC8LK4); (Year: 2018).

Closet Maid 8908 Suite Symphony Center Rod Bracket, posted at [amazon.com](http://amazon.com), posting date by Apr. 5, 2016, (online), (site visited Apr. 5, 2018). Available from Internet, URL: [https://www.amazon.com?closeMaid-8908-SuiteSymphony-Center\\_braket/dp/B0062NY4SS](https://www.amazon.com?closeMaid-8908-SuiteSymphony-Center_braket/dp/B0062NY4SS); (Year: 2016).

KV Hanging Rod Saddle for Shelf Bracket, posted at [amazon.com](http://amazon.com), posting date not given, (online), (site visited Apr. 5, 2018). Available from Internet, URL: <https://www.amazon.com/Hanging-Saddle-Shelf-Bracket-Anochrome/dp/B000WIW1kw>; (Year: 2018).

Tejatan set of 6 Curtain Rod Brackets, posted at [amazon.com](http://amazon.com), posting date Jun. 15, 2017, (online), (site visited Apr. 5, 2018). Available from Internet, URL: <https://www.amazon.com/TEJATAN-Curtain-Rod-Brackets-Draperies/dp/B072P6FY5H>; (Year: 2017).

\* cited by examiner

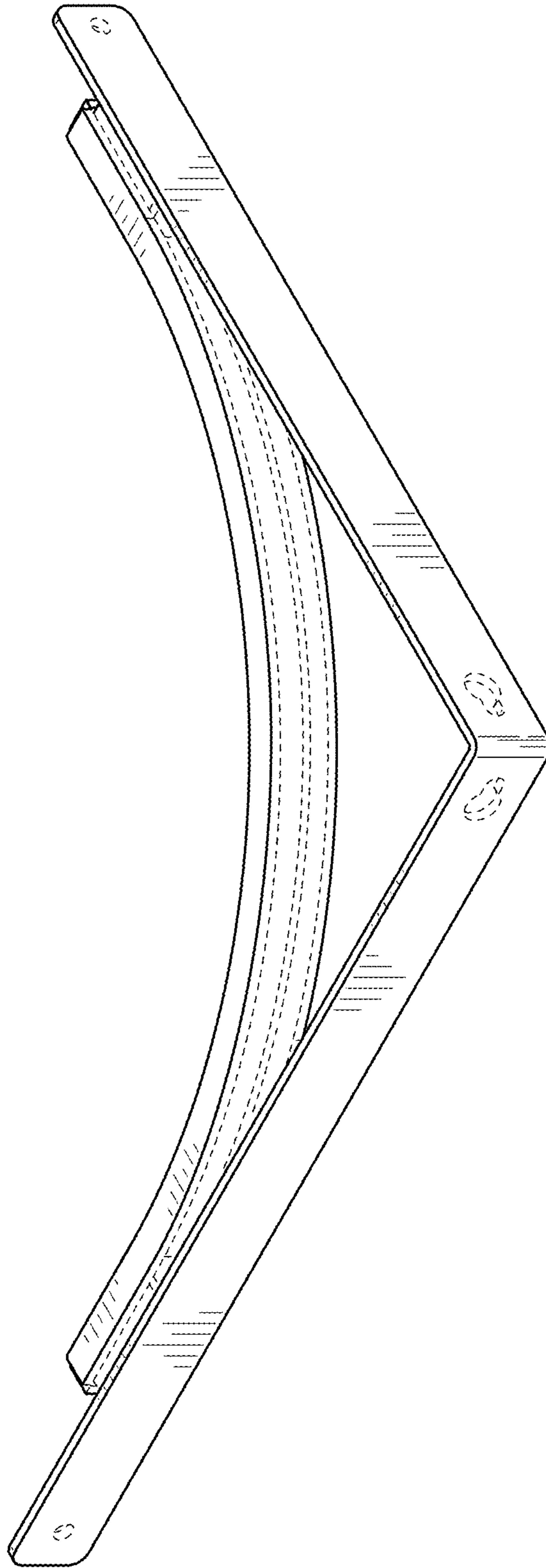


FIG. 1

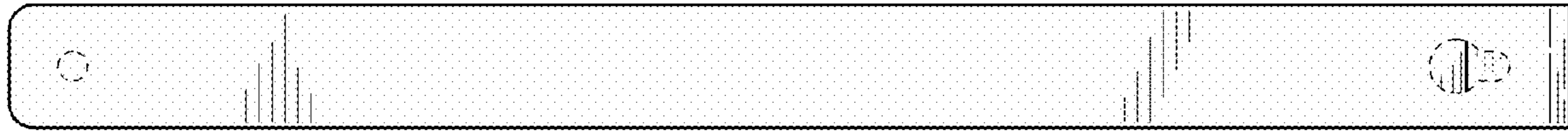


FIG. 2

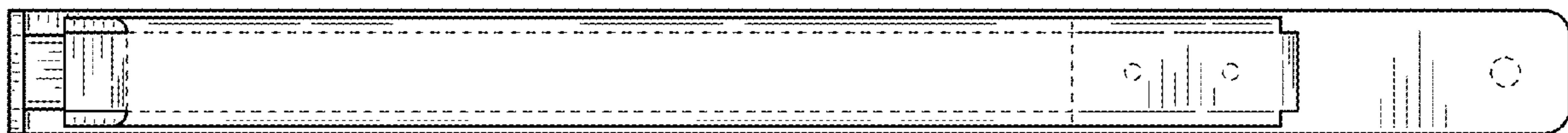


FIG. 3

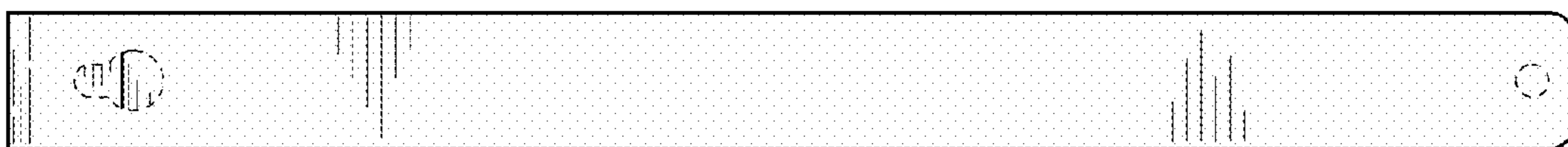


FIG. 4

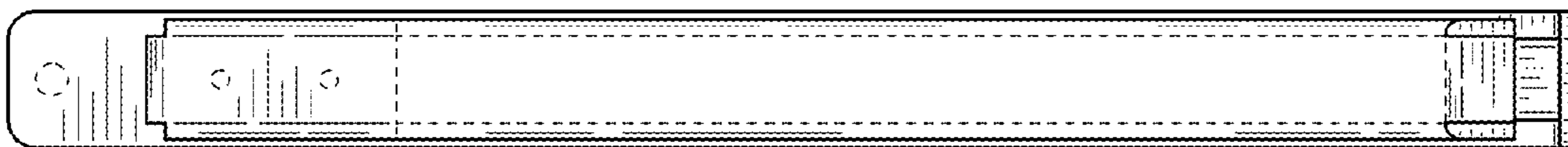


FIG. 5

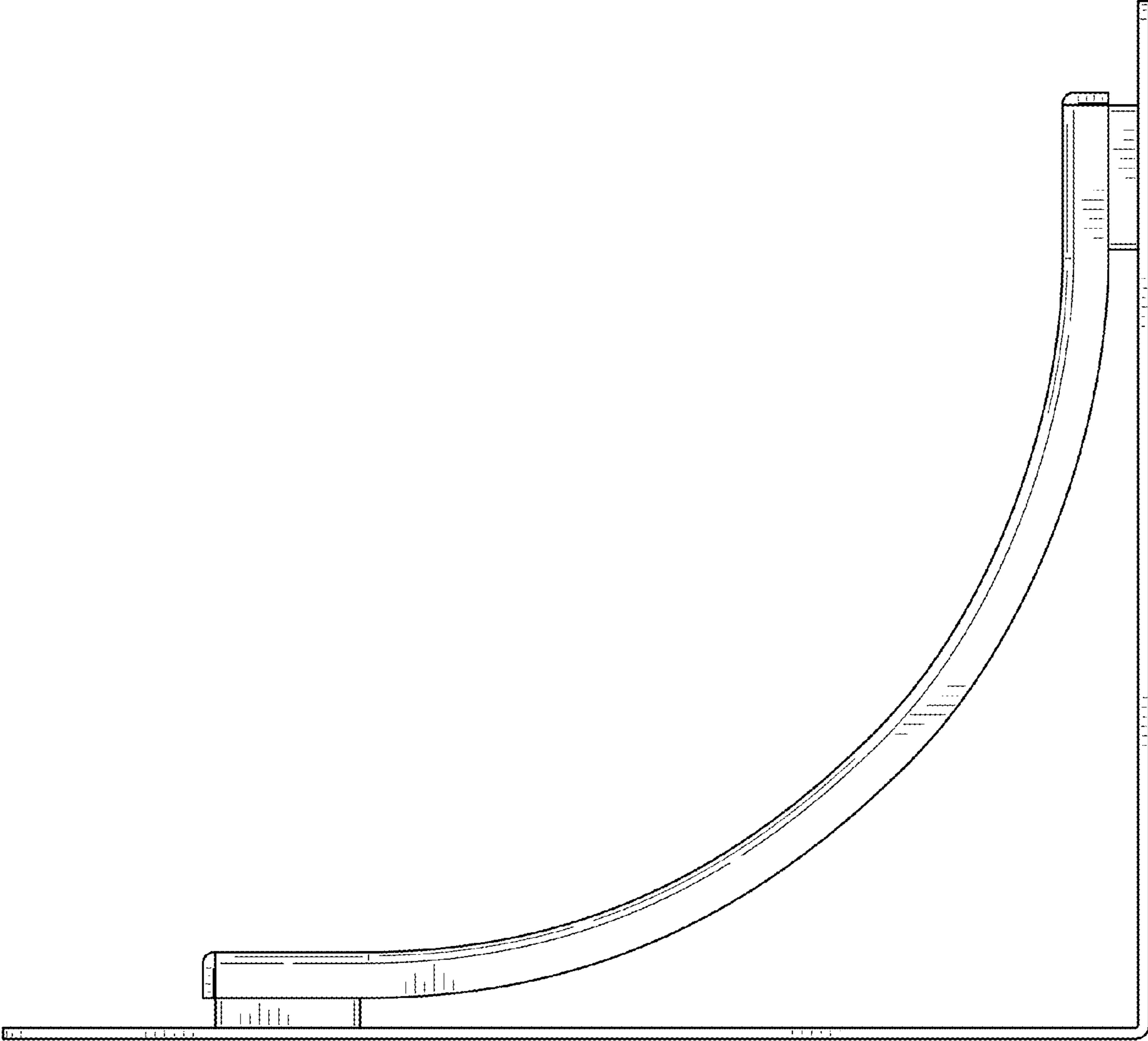


FIG. 6

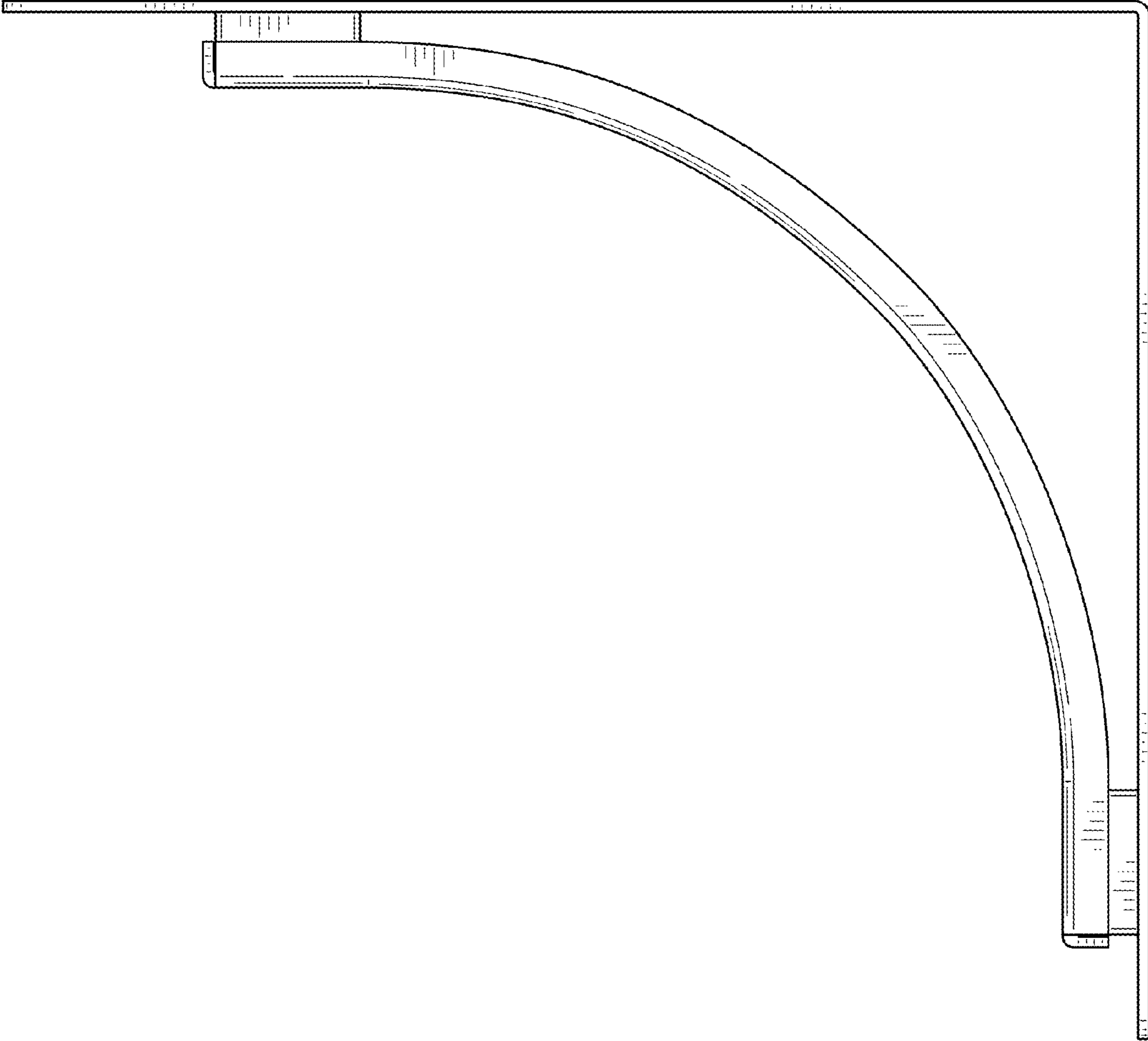


FIG. 7