



US00D896622S

(12) **United States Design Patent** (10) **Patent No.:** **US D896,622 S**  
**Wendling** (45) **Date of Patent:** **\*\* Sep. 22, 2020**

(54) **FURNITURE RISER**

(71) Applicant: **Allan Wendling**, New Lothrop, MI (US)

(72) Inventor: **Allan Wendling**, New Lothrop, MI (US)

(\*\*) Term: **15 Years**

(21) Appl. No.: **29/723,494**

(22) Filed: **Feb. 7, 2020**

(51) **LOC (12) Cl.** ..... **08-05**

(52) **U.S. Cl.**  
USPC ..... **D8/374**

(58) **Field of Classification Search**  
USPC ..... D8/374, 373, 376  
CPC ..... A47C 7/006; A47C 7/62; A47B 91/12;  
B60T 3/00; A47F 1/065; G10C 3/16  
See application file for complete search history.

(56) **References Cited**

**U.S. PATENT DOCUMENTS**

1,912,728 A	6/1933	Roe	
3,126,666 A	3/1964	Peterson	
3,138,893 A	6/1964	Rupar	
D336,843 S	6/1993	Hurst	
5,345,631 A	9/1994	Saperstein et al.	
D423,340 S	4/2000	Sittig	
6,345,474 B1	2/2002	Triplett	
D493,095 S	7/2004	Sittig	
D493,096 S	7/2004	Sittig	
D661,575 S *	6/2012	Ruiz	D8/374

(Continued)

**OTHER PUBLICATIONS**

Dapre Furniture Riser Bed Riser Heavy Duty Furniture Riser for Bed Chair Sofa Table 4 PCS 3-inch; [https://www.amazon.com/Dapre-Furniture-Riser\\_Heavy-3-inch/dp/B07Y9XKWCR/ref=sr\\_1\\_231?keywords=furniture+riser&qid=1575239703&sr=8-231](https://www.amazon.com/Dapre-Furniture-Riser_Heavy-3-inch/dp/B07Y9XKWCR/ref=sr_1_231?keywords=furniture+riser&qid=1575239703&sr=8-231) Dec. 1, 2019, 1 page.

(Continued)

*Primary Examiner* — Eliza Z Bennett-Hattan

(74) *Attorney, Agent, or Firm* — Dinsmore & Shohl LLP

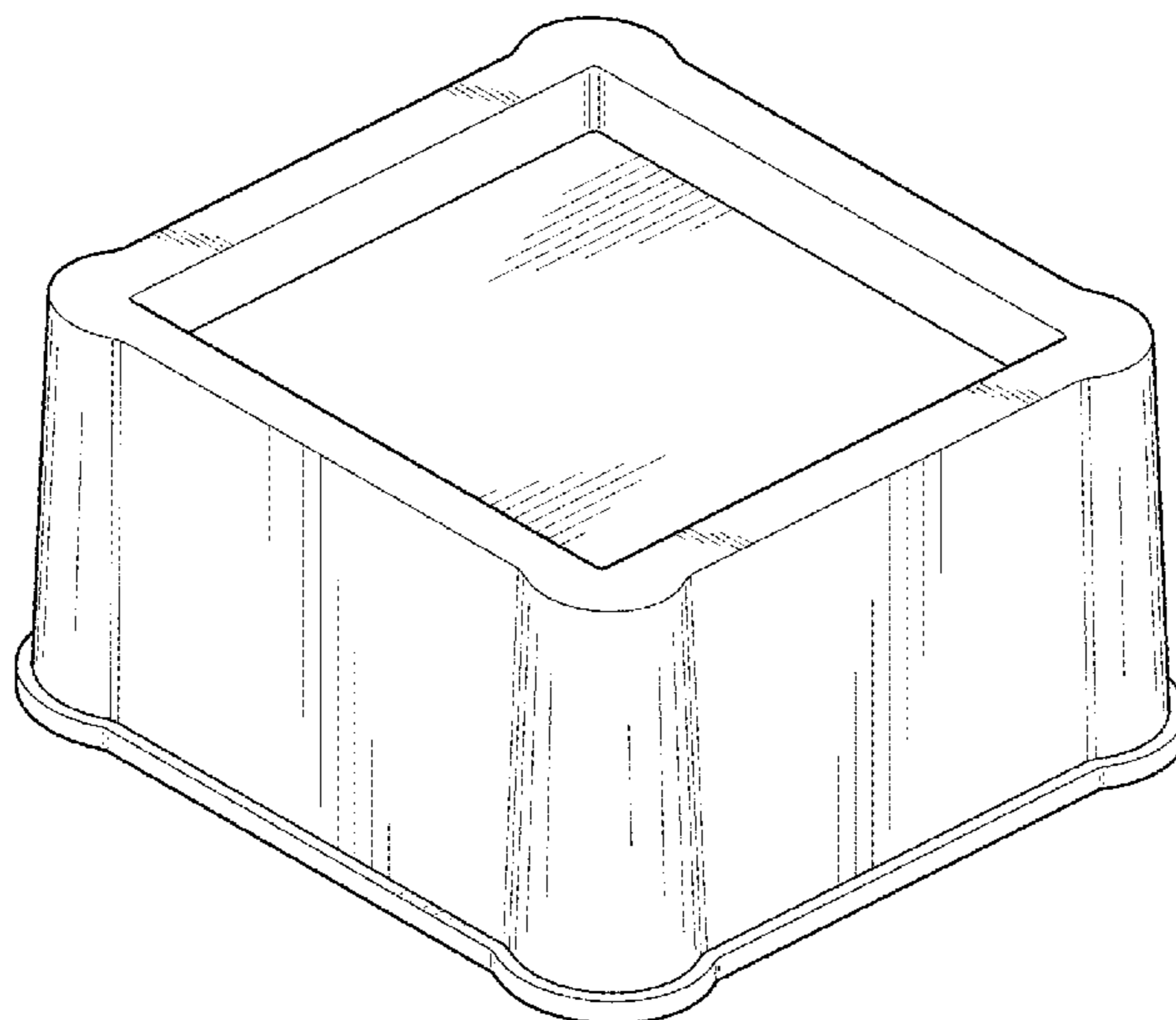
(57) **CLAIM**

The ornamental design for a furniture riser, as shown and described.

**DESCRIPTION**

FIG. 1 is a perspective view showing a face of a furniture riser;  
FIG. 2 is an opposite perspective of the face of furniture riser of FIG. 1;  
FIG. 3 is a plan view of the face of the furniture riser of FIG. 1;  
FIG. 4 is a plan view of an edge of the corner device of FIG. 1;  
FIG. 5 is a plan view of an opposite edge of the corner device of FIG. 1;  
FIG. 6 is a plan view of an end of the corner device of FIG. 1;  
FIG. 7 is a plan view of an opposite end of the corner device of FIG. 1;  
FIG. 8 is a plan view of an opposite face of the furniture riser of FIG. 1;  
FIG. 9 is a perspective view showing a face of another embodiment of a furniture riser;  
FIG. 10 is an opposite perspective view showing the face of the furniture riser of FIG. 9;  
FIG. 11 is a perspective view showing a face of another embodiment of a furniture riser;  
FIG. 12 is an opposite perspective view showing the face of the furniture riser of FIG. 11;  
FIG. 13 is a perspective view showing a face of another embodiment of a furniture riser; and,  
FIG. 14 is an opposite perspective view showing the face of the furniture riser of FIG. 13.  
The broken lines show components of the furniture riser that form no part of the claimed design.

**1 Claim, 6 Drawing Sheets**



(56)

**References Cited**

U.S. PATENT DOCUMENTS

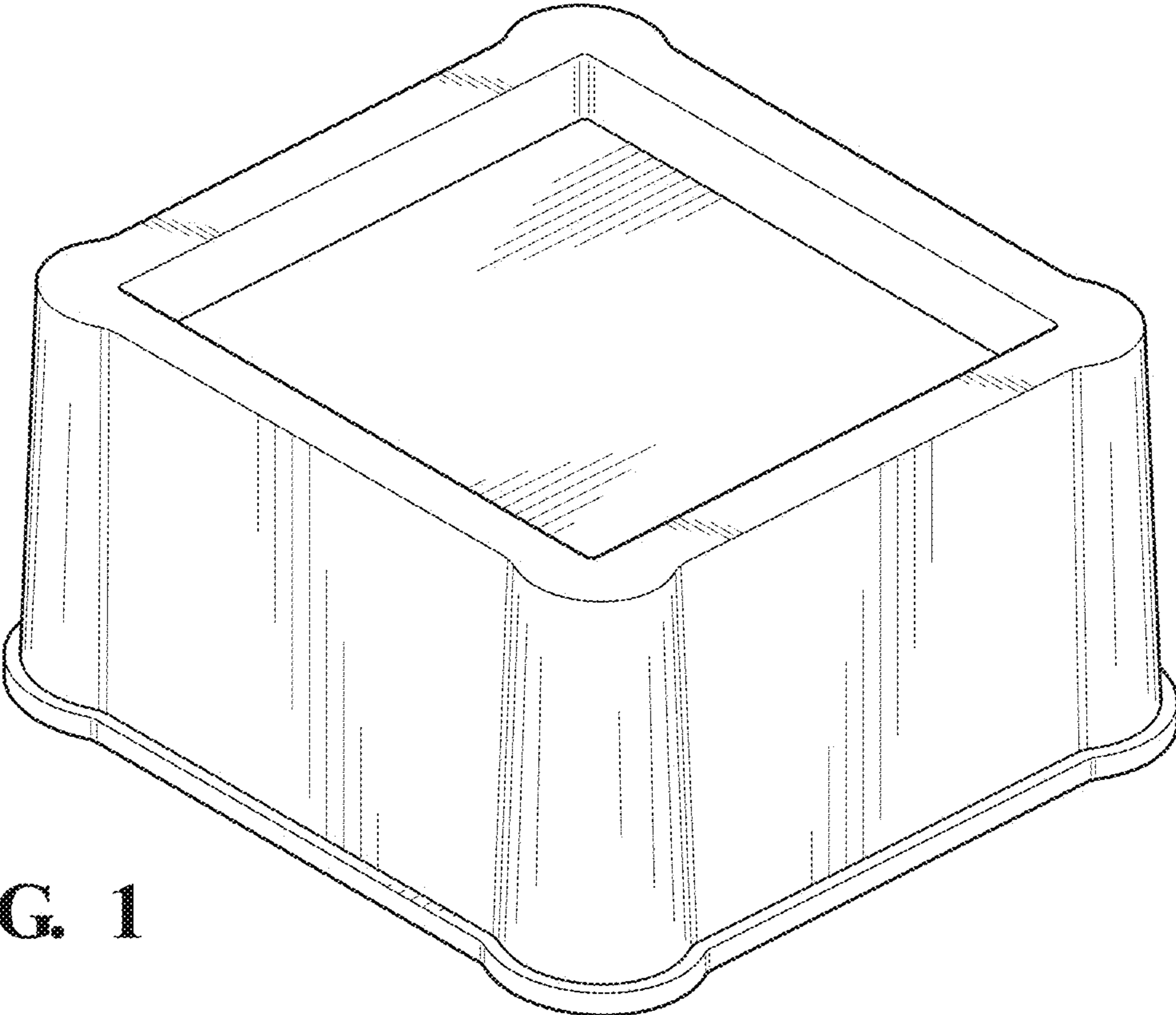
9,033,293 B1 5/2015 Glenn et al.  
D734,135 S 7/2015 Merey  
D736,607 S 8/2015 Sheldon  
D784,120 S 4/2017 Abdi et al.  
D798,132 S \* 9/2017 Meyers ..... D8/374  
D813,019 S \* 3/2018 Wendling ..... D8/374  
D828,144 S \* 9/2018 Rodack ..... D8/374  
D863,701 S \* 10/2019 Wendling ..... D32/25  
D871,696 S \* 12/2019 Wendling ..... D32/25

OTHER PUBLICATIONS

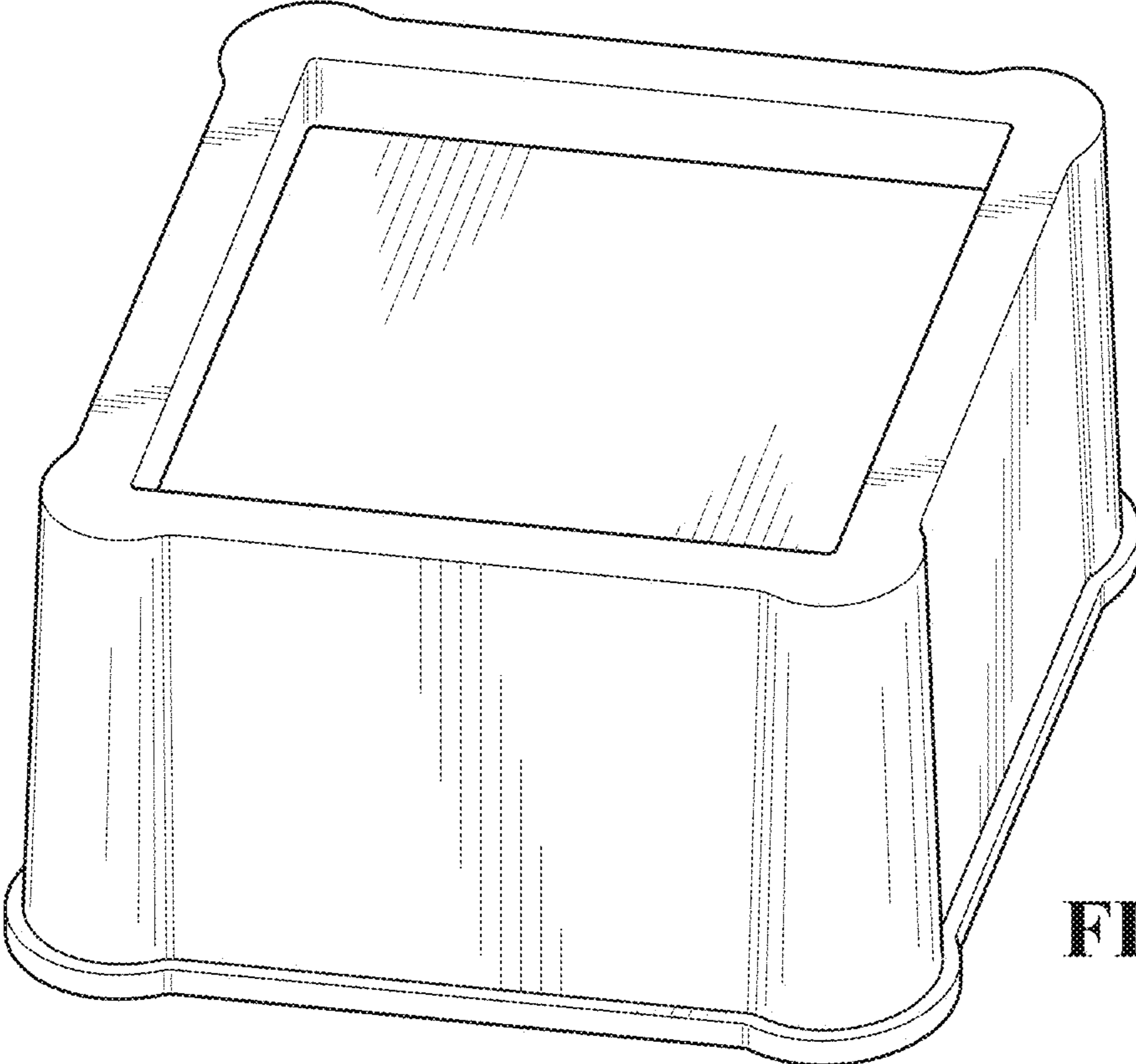
Accibca Bed Riser Furniture Lift ed Frame Risers Create Under Bed Storage Heavy Duty Set of 4 (white); [https://www.amazon.com/Accibca-Furniture-Risers-Create-Storage/dp/B0783B8XBV/ref=sr\\_1\\_15?keywords=furniture+riser&qid=1575239070&sr=8-15](https://www.amazon.com/Accibca-Furniture-Risers-Create-Storage/dp/B0783B8XBV/ref=sr_1_15?keywords=furniture+riser&qid=1575239070&sr=8-15); Dec. 1, 2019, 1 page.

Meetwarm 3 Inch Bed Risers Heavy Duty Furniture Risers Stackable Platform Blocks for Dorm Couch Bed Sofa Chair Table (Black), Set of 4; [https://www.amazon.com/MEETWARM-Risers-Furniture-Stackable-Platform/dp/B07SDCYRM6/ref=sr\\_1\\_30?keywords=furniture+riser&qid=1575239070&sr=8-30](https://www.amazon.com/MEETWARM-Risers-Furniture-Stackable-Platform/dp/B07SDCYRM6/ref=sr_1_30?keywords=furniture+riser&qid=1575239070&sr=8-30); Dec. 1, 2019; 1 page.

\* cited by examiner

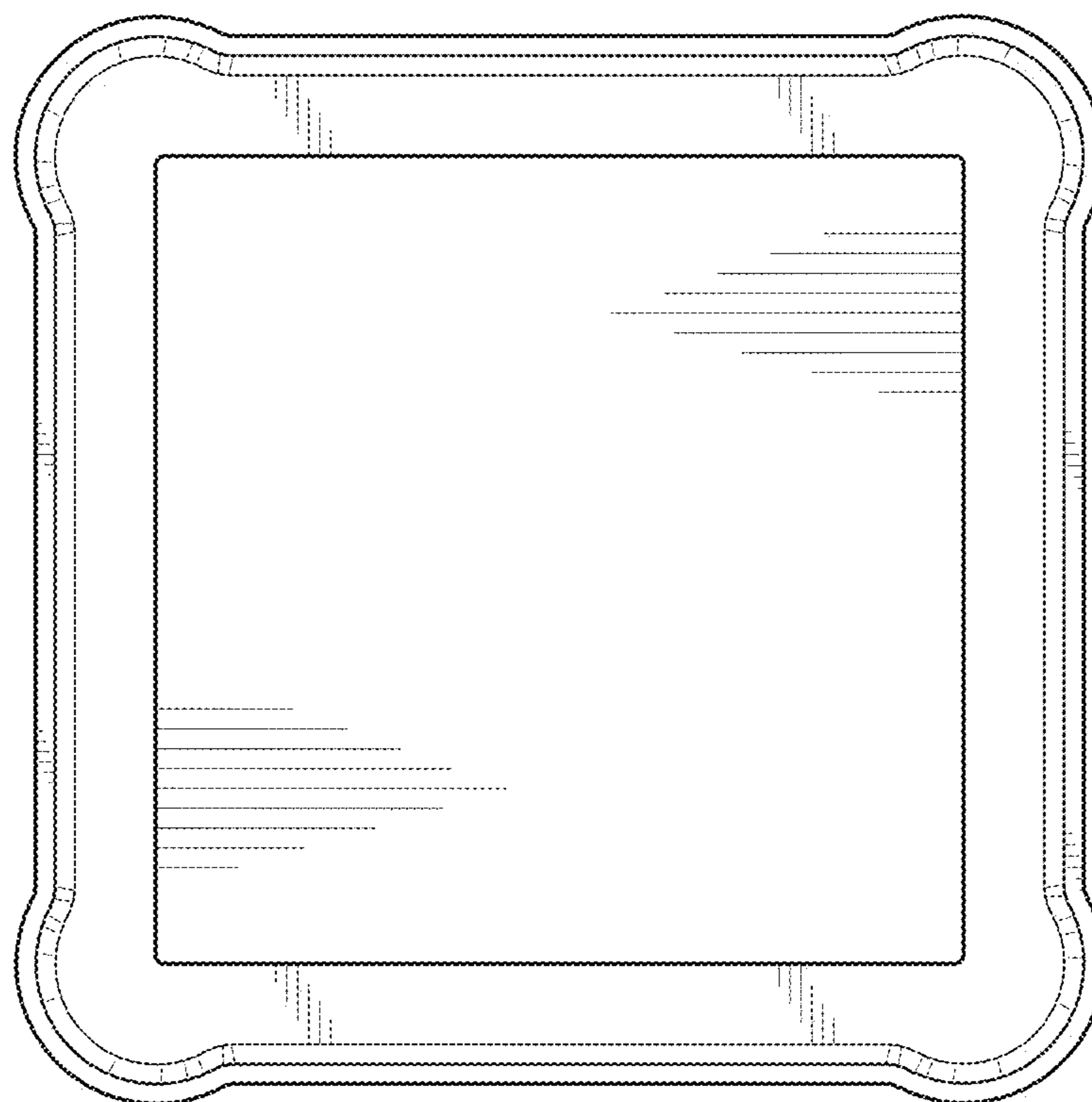


**FIG. 1**

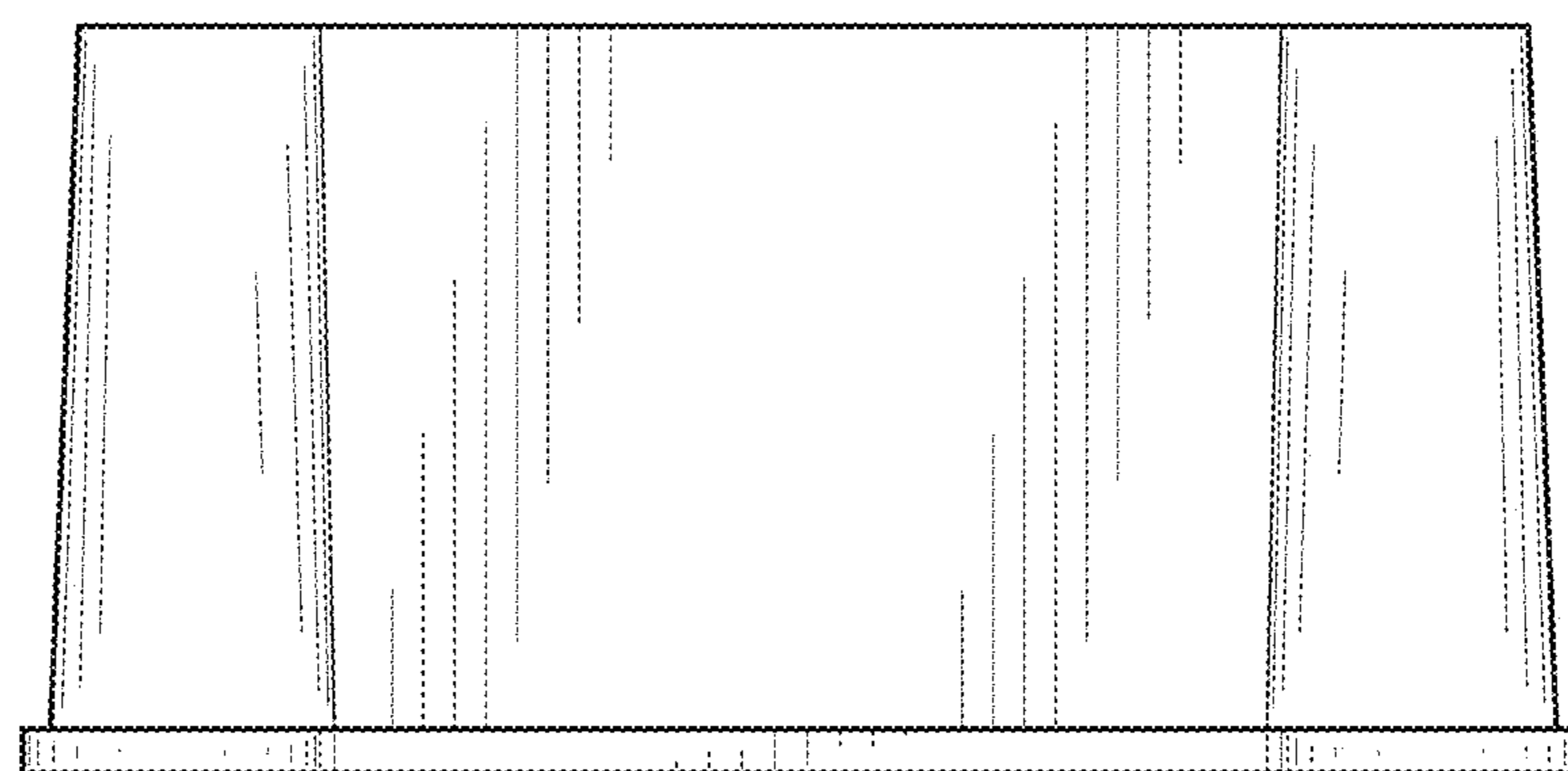


**FIG. 2**

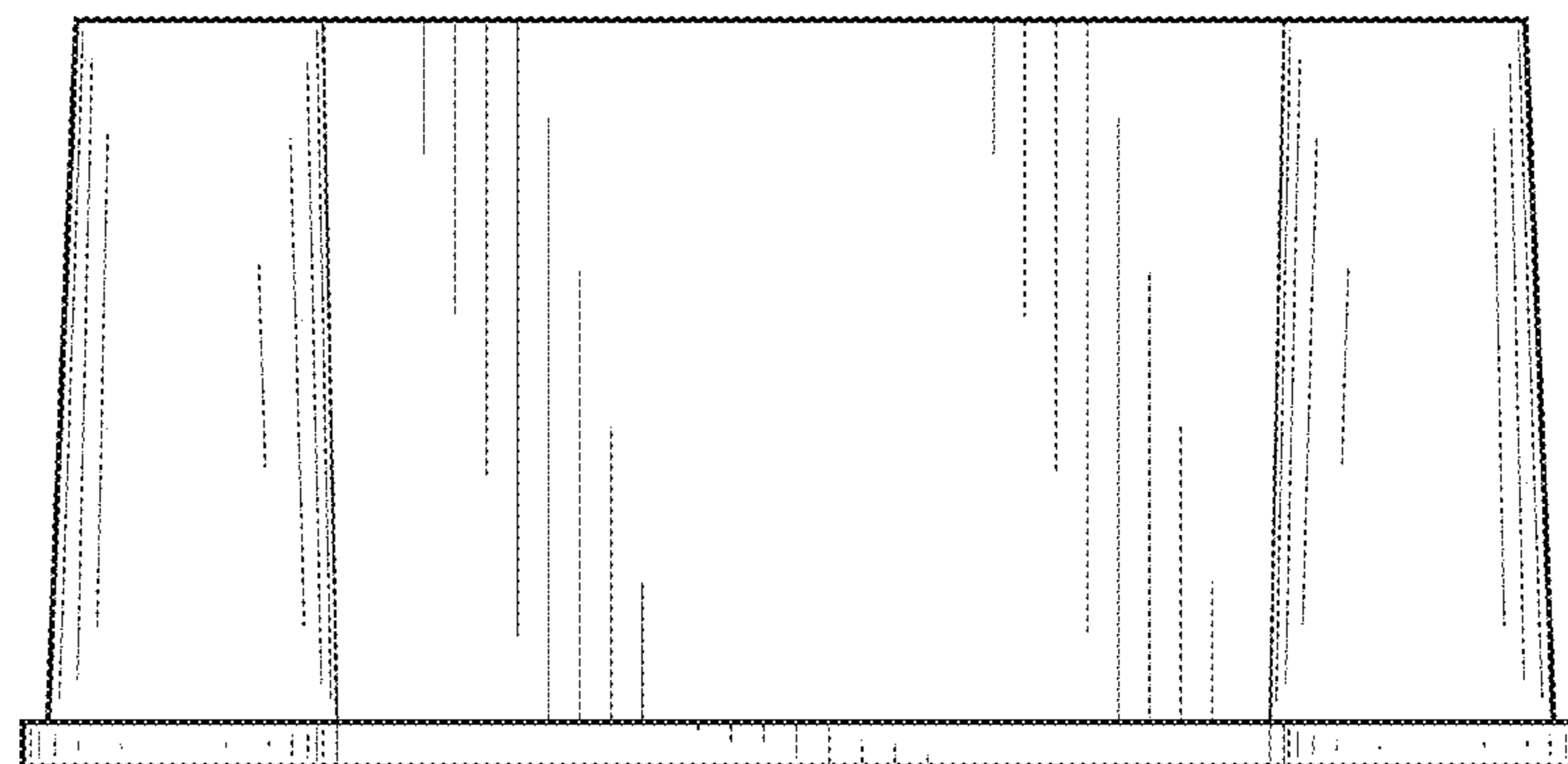
**FIG. 3**



**FIG. 4**

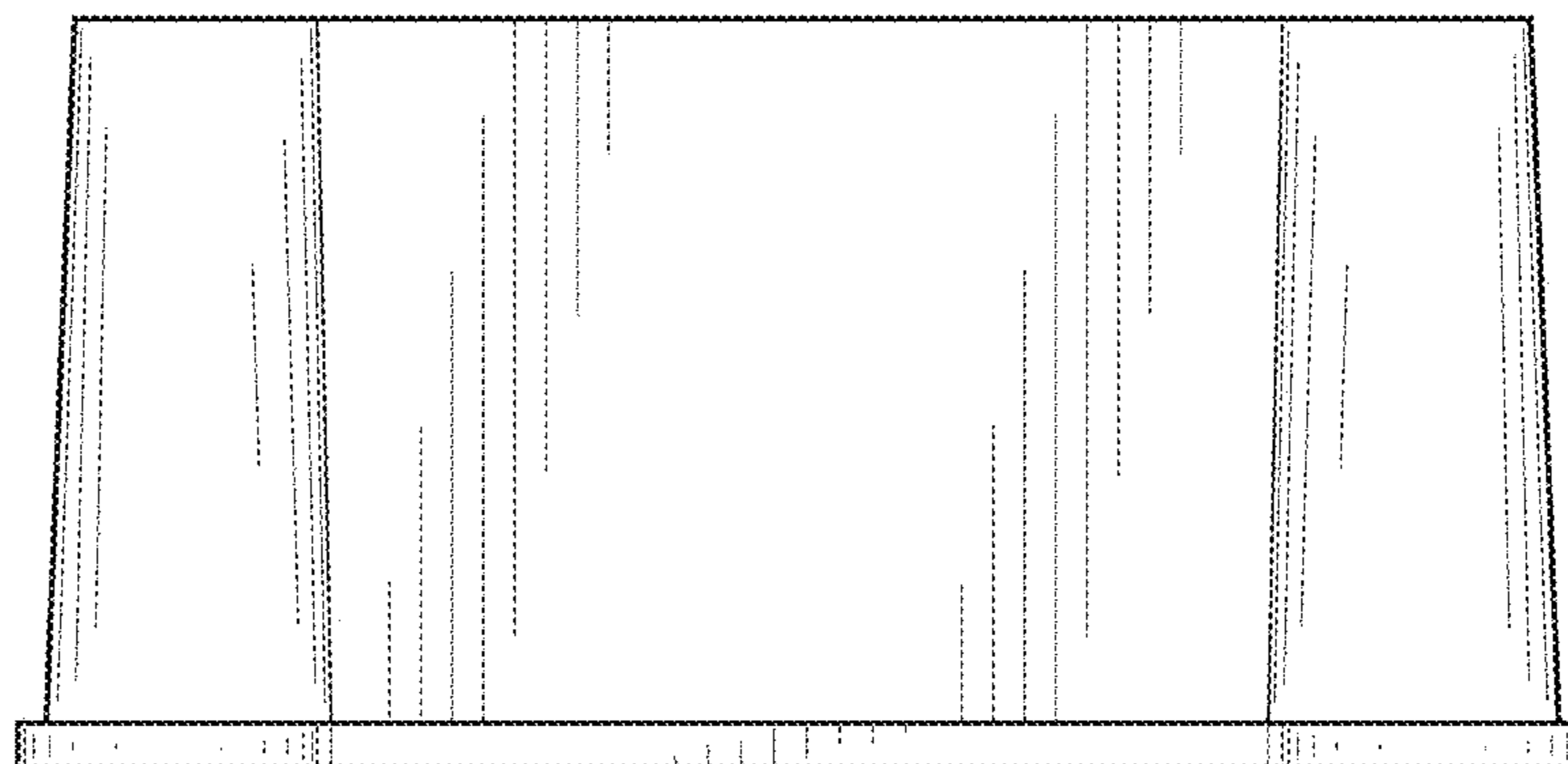


**FIG. 5**

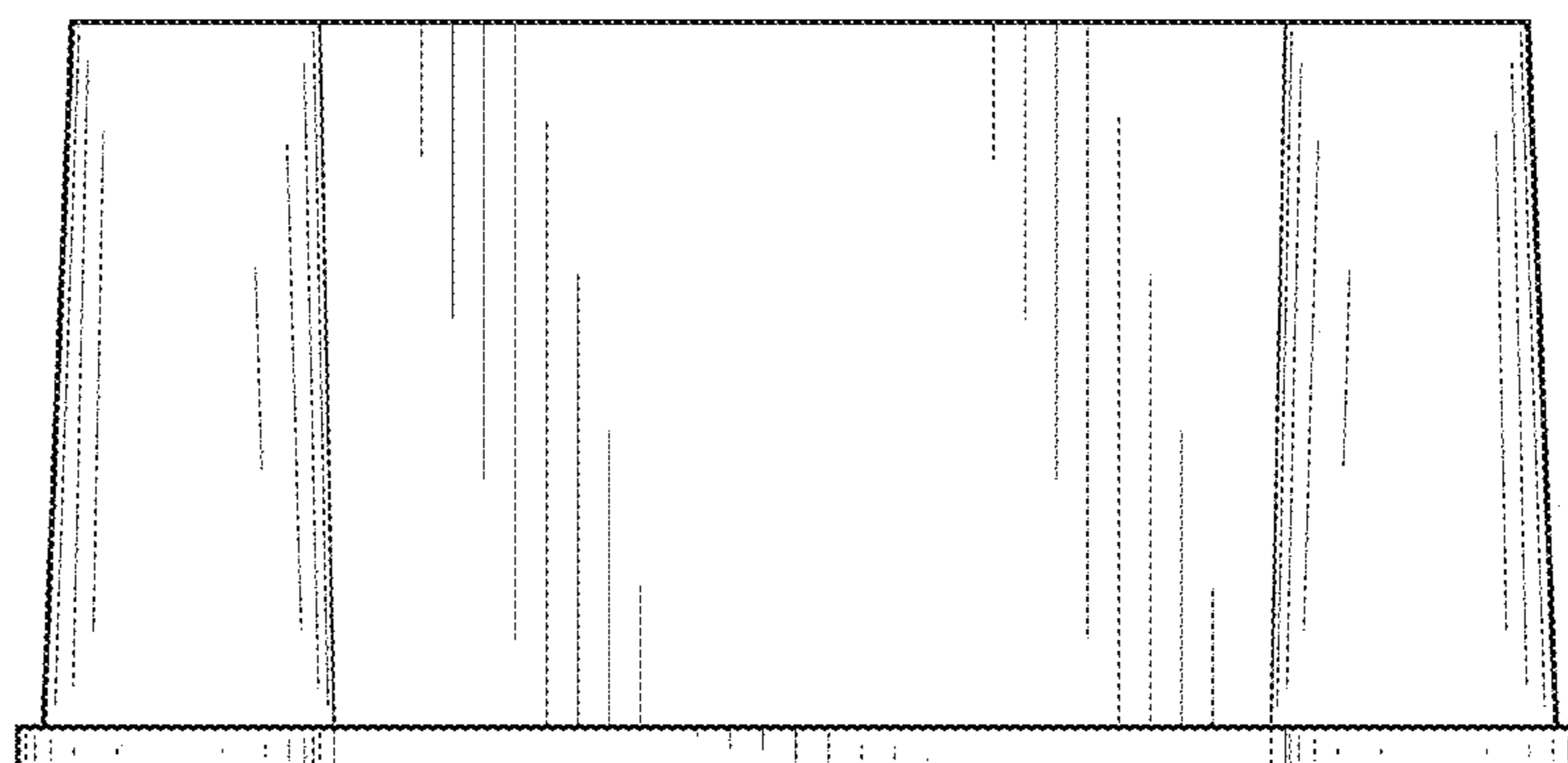




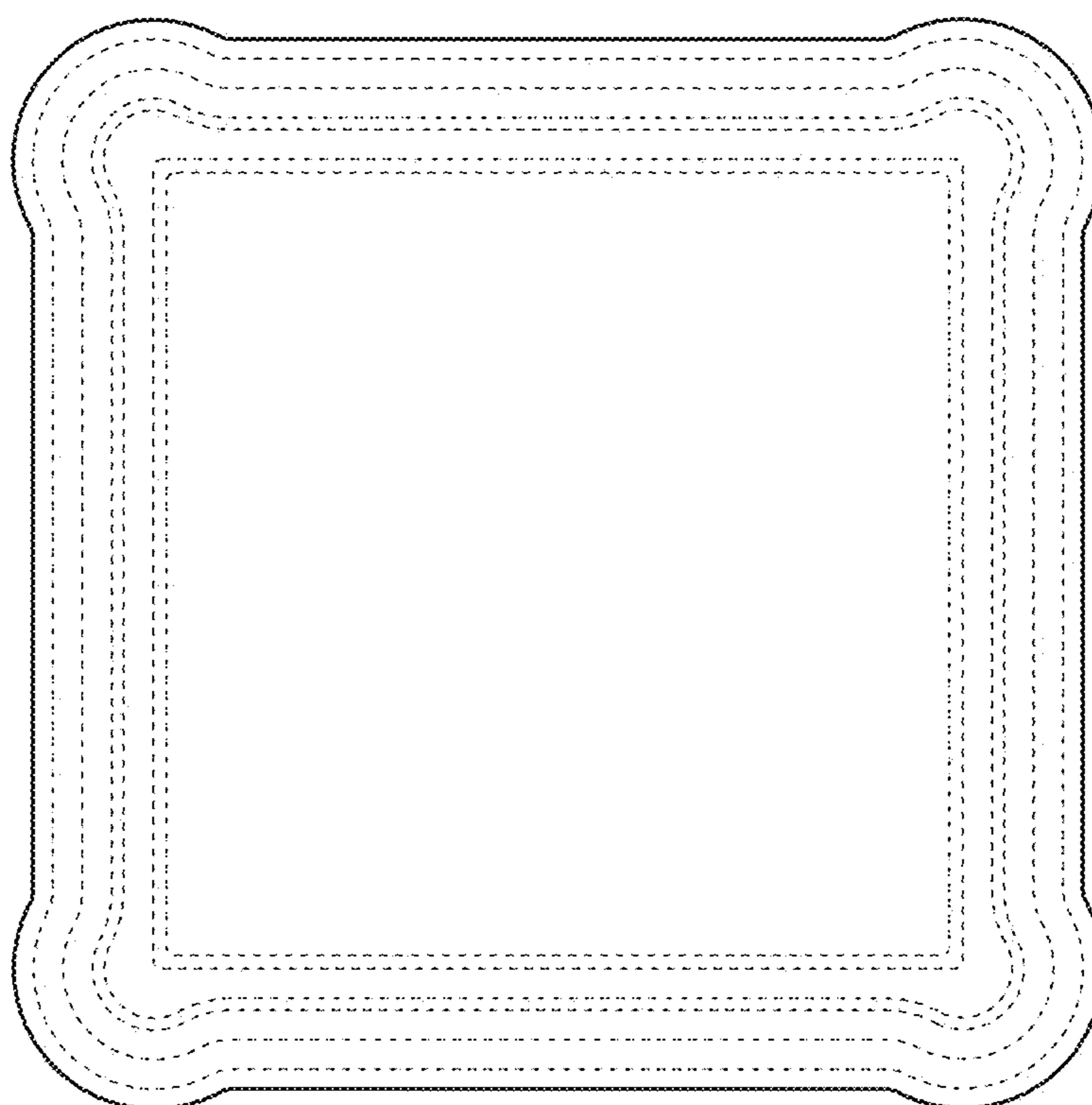
**FIG. 6**



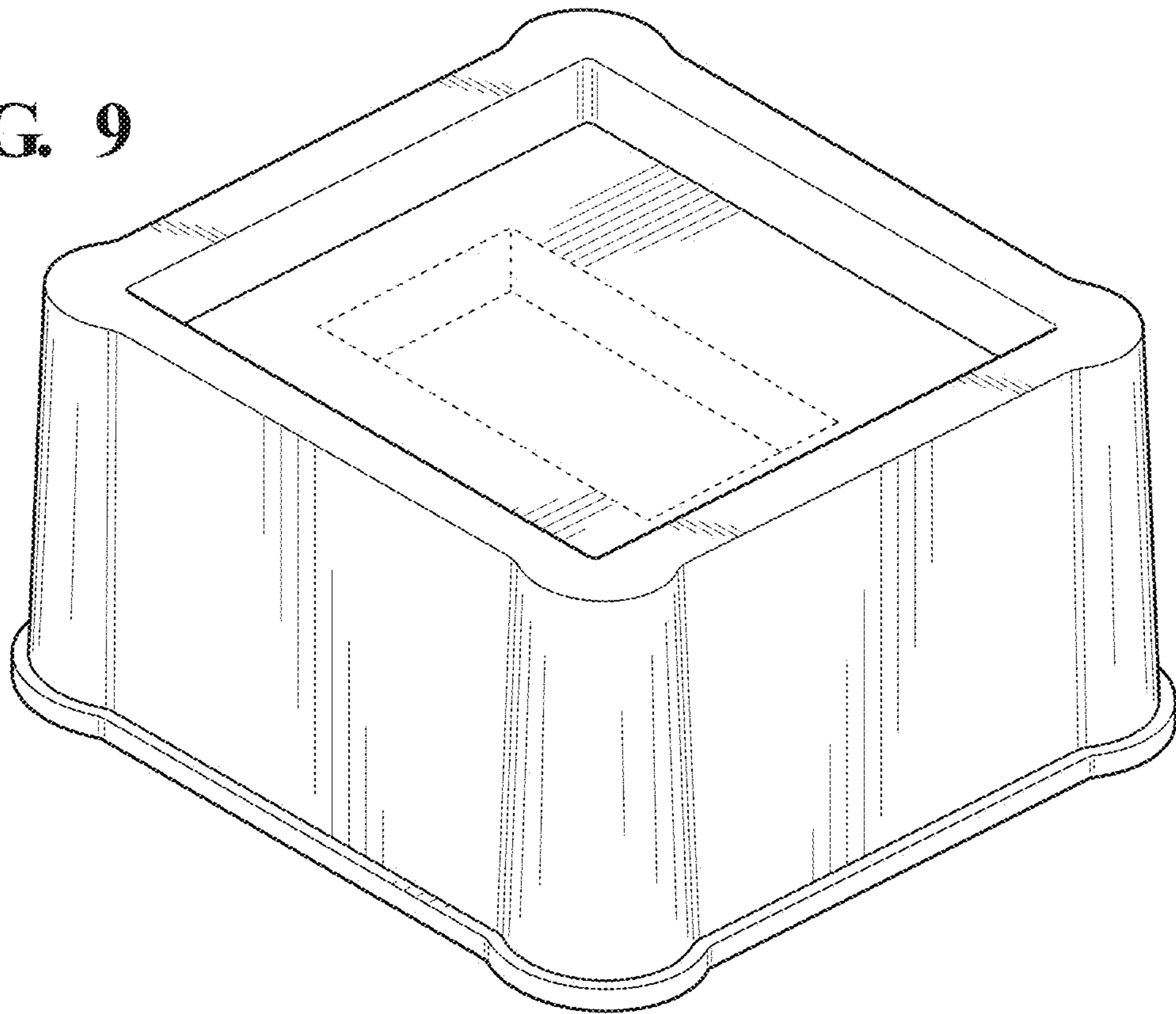
**FIG. 7**



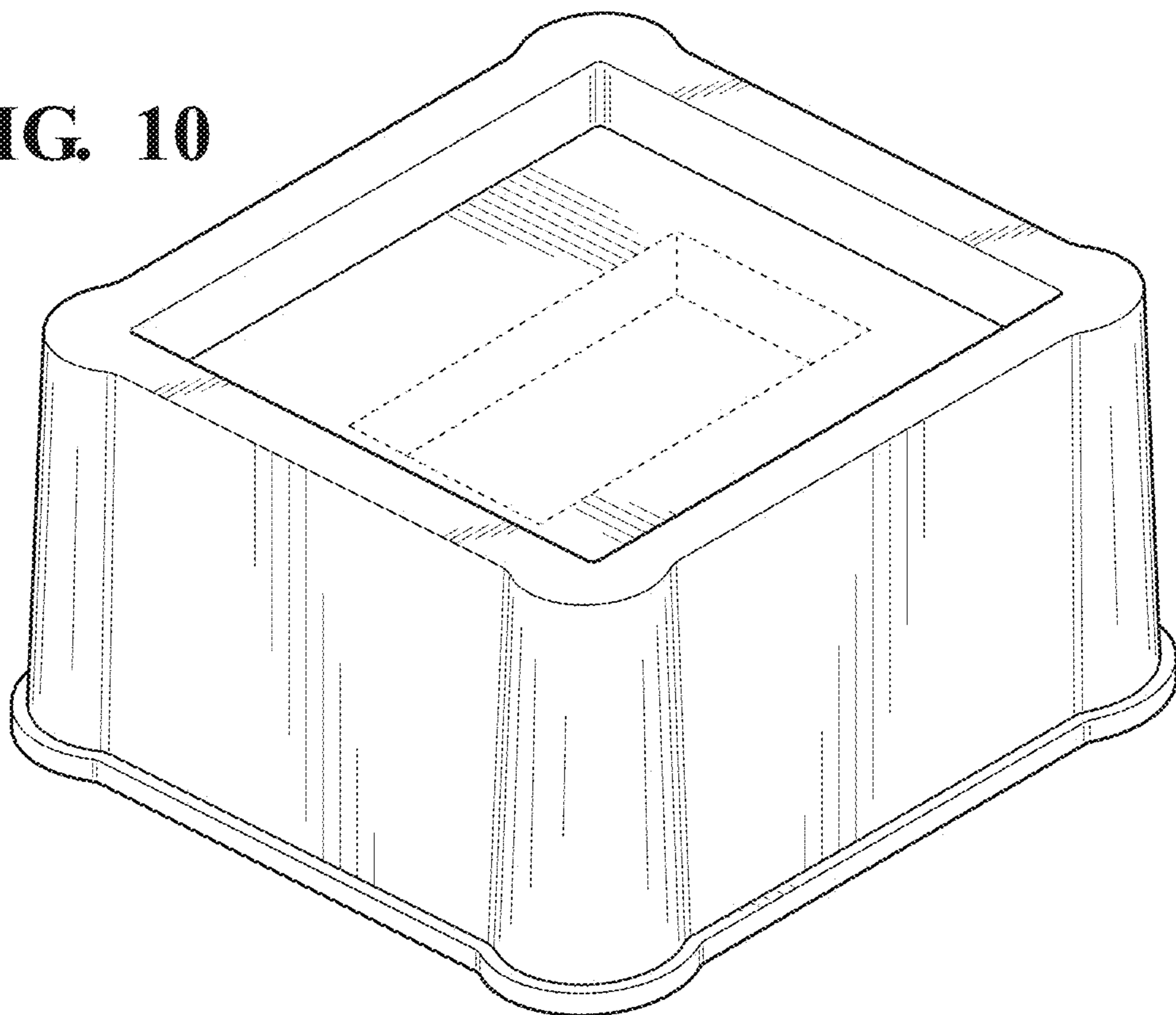
**FIG. 8**



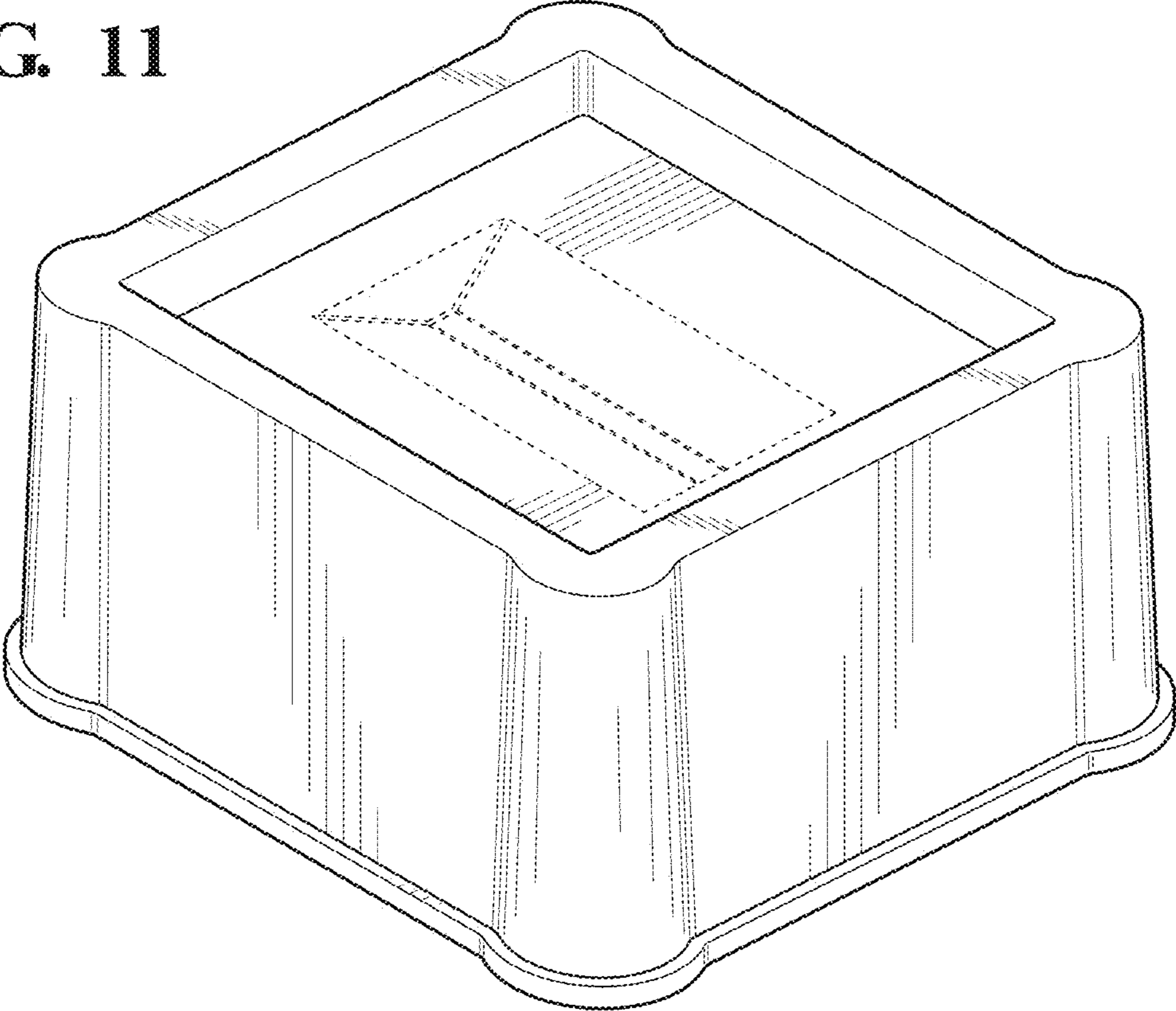
**FIG. 9**



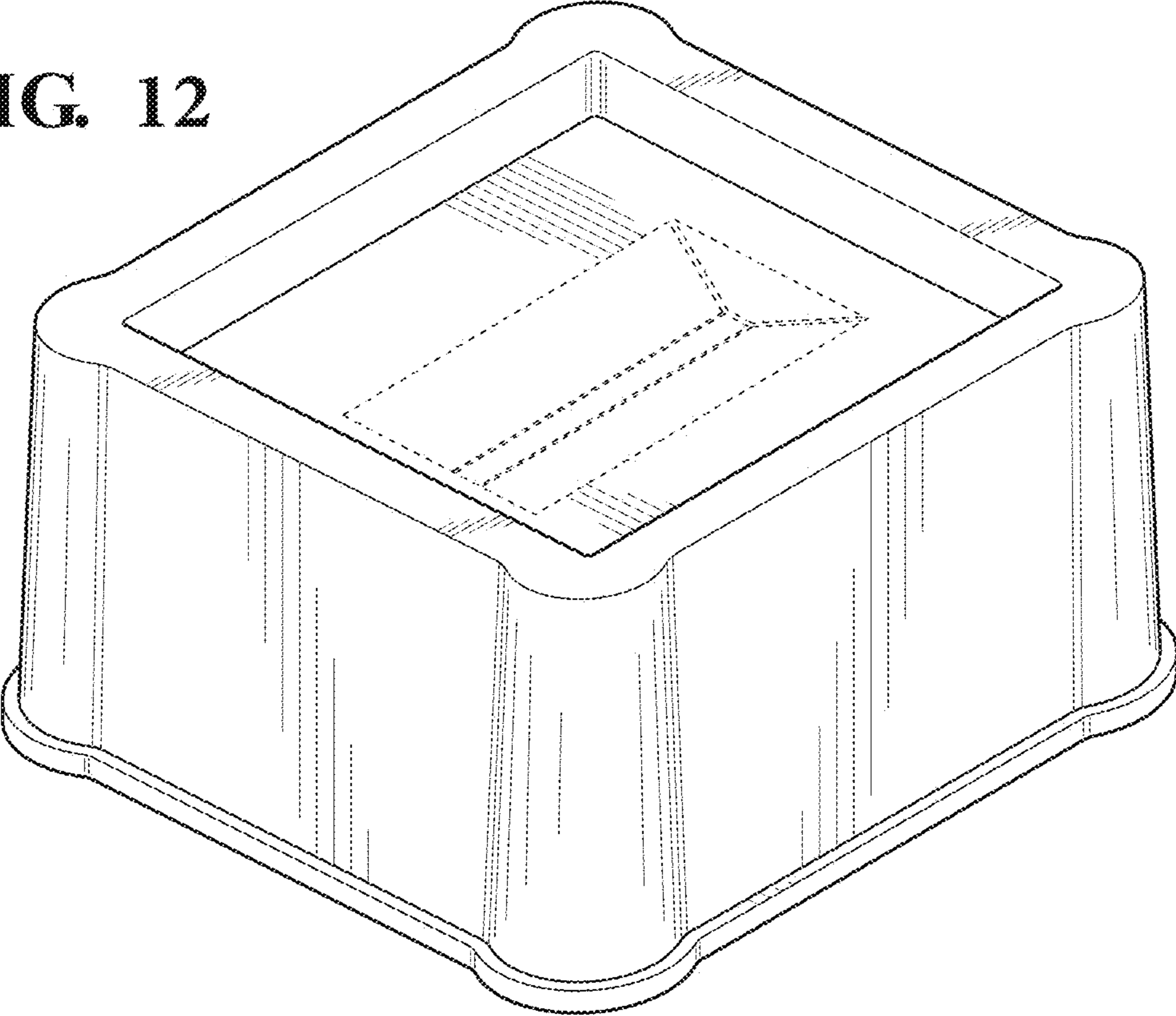
**FIG. 10**



**FIG. 11**

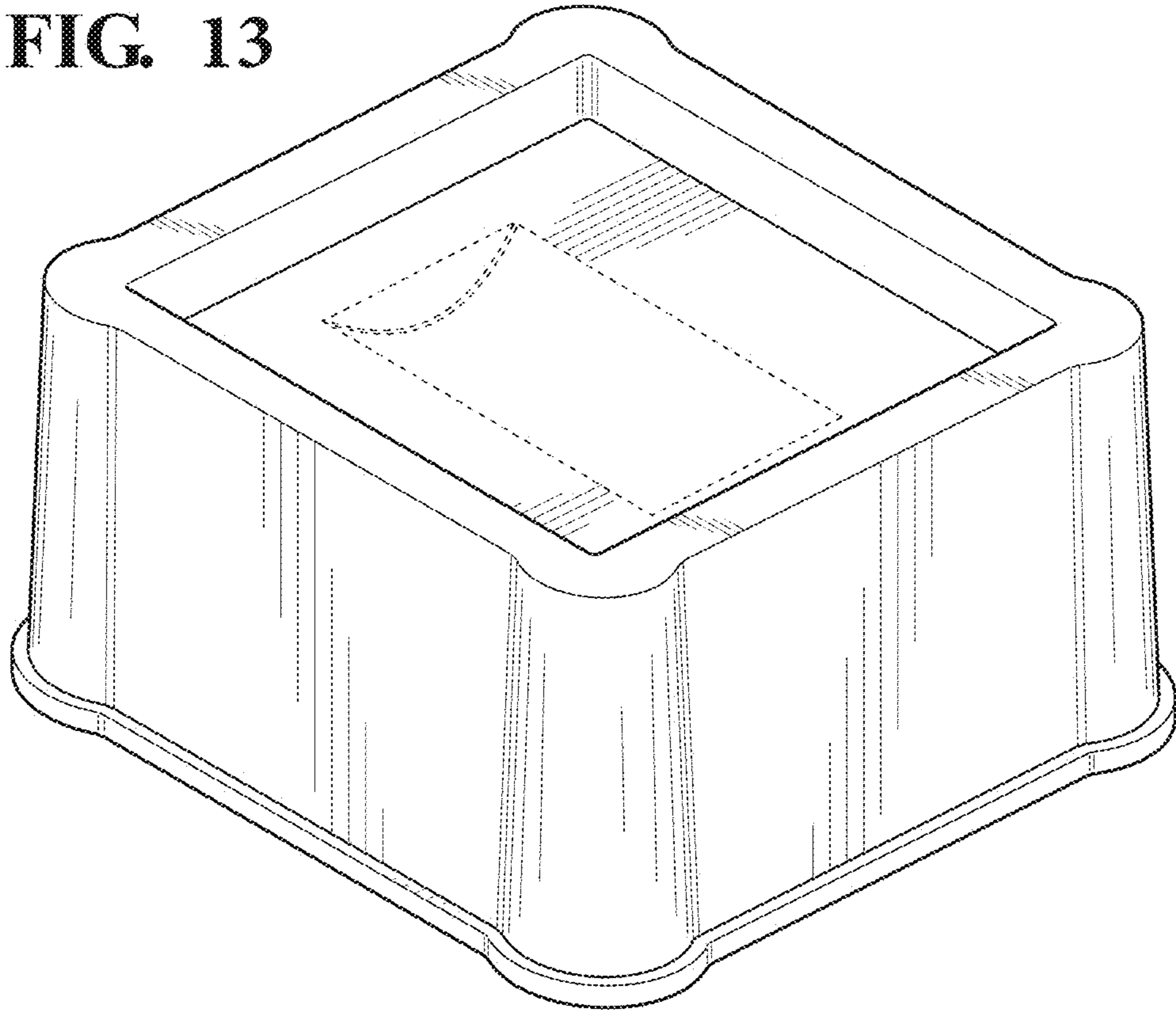


**FIG. 12**





**FIG. 13**



**FIG. 14**

