



US00D896619S

(12) **United States Design Patent** (10) **Patent No.:** **US D896,619 S**  
**Chen** (45) **Date of Patent:** **\*\* Sep. 22, 2020**

(54) **WINDER**  
(71) Applicant: **Tsung-Wei Chen**, Tainan (TW)  
(72) Inventor: **Tsung-Wei Chen**, Tainan (TW)  
(\*\*) Term: **15 Years**  
(21) Appl. No.: **29/656,964**  
(22) Filed: **Jul. 18, 2018**  
(51) **LOC (12) Cl.** ..... **08-05**  
(52) **U.S. Cl.**  
USPC ..... **D8/358**; D6/580  
(58) **Field of Classification Search**  
USPC ..... 6/575-580; 8/349, 352, 353, 368, 369,  
8/376  
CPC ..... E06B 9/50; E06B 9/68  
See application file for complete search history.

D694,040 S \* 11/2013 Di Stefano ..... D6/580  
D701,709 S \* 4/2014 Wills ..... D6/580  
8,844,605 B2 \* 9/2014 Ng ..... E06B 9/90  
160/319  
D727,659 S \* 4/2015 Kao ..... D6/580  
D733,460 S \* 7/2015 Corey ..... D6/580  
9,222,305 B2 \* 12/2015 Di Stefano ..... E06B 9/68  
D782,847 S \* 4/2017 Licciardi Di Stefano ..... D6/580  
D833,261 S \* 11/2018 Kanenari ..... D8/356  
2005/0247413 A1 \* 11/2005 Nien ..... E06B 9/42  
160/321  
2009/0205788 A1 \* 8/2009 Cannaverde ..... E06B 9/322  
160/168.1 R  
2012/0291965 A1 \* 11/2012 Marocco ..... E06B 9/40  
160/120

\* cited by examiner

*Primary Examiner* — Patricia A Palasik  
(74) *Attorney, Agent, or Firm* — Alan D. Kamrath; Karin L. Williams; Mayer & Williams PC

(56) **References Cited**

U.S. PATENT DOCUMENTS

5,213,181 A \* 5/1993 Isaka ..... G04B 1/10  
185/39  
D411,732 S \* 6/1999 Chamberlain ..... D8/350  
6,138,740 A \* 10/2000 Chou ..... E06B 9/36  
160/298  
6,158,563 A \* 12/2000 Welfonder ..... E06B 9/90  
160/291  
6,685,592 B2 \* 2/2004 Fraczek ..... E06B 9/44  
160/166.1  
D496,254 S \* 9/2004 Ham ..... D8/358  
D498,635 S \* 11/2004 Allsopp ..... D6/580  
D518,326 S \* 4/2006 Allsopp ..... D6/580  
D579,759 S \* 11/2008 Strait ..... D8/349  
D628,051 S \* 11/2010 Di Stefano ..... D8/358  
8,474,509 B2 \* 7/2013 Koop ..... E06B 9/78  
160/321

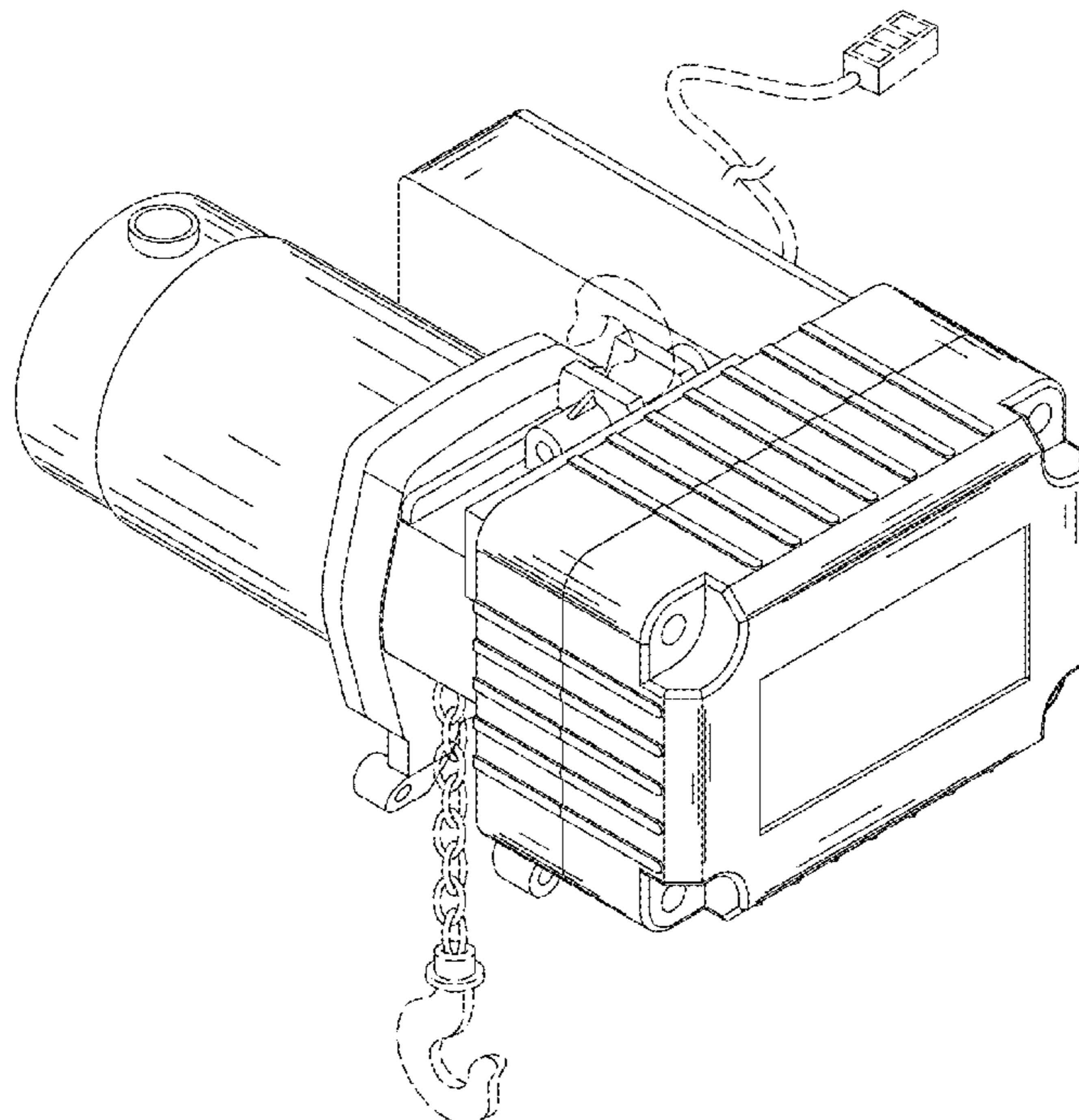
(57) **CLAIM**

The ornamental design for a winder, as shown and described.

**DESCRIPTION**

FIG. 1 is a perspective view of a winder showing my design; FIG. 2 is a front elevational view thereof; FIG. 3 is a rear elevational view thereof; FIG. 4 is a left side elevational view thereof; FIG. 5 is a right side elevational view thereof; FIG. 6 is a top plan view thereof; and, FIG. 7 is a perspective schematic view illustrating an application of a winder showing my design. The broken lines shown in the figure depict unclaimed environmental subject matter and form no part of the claimed design.

**1 Claim, 7 Drawing Sheets**



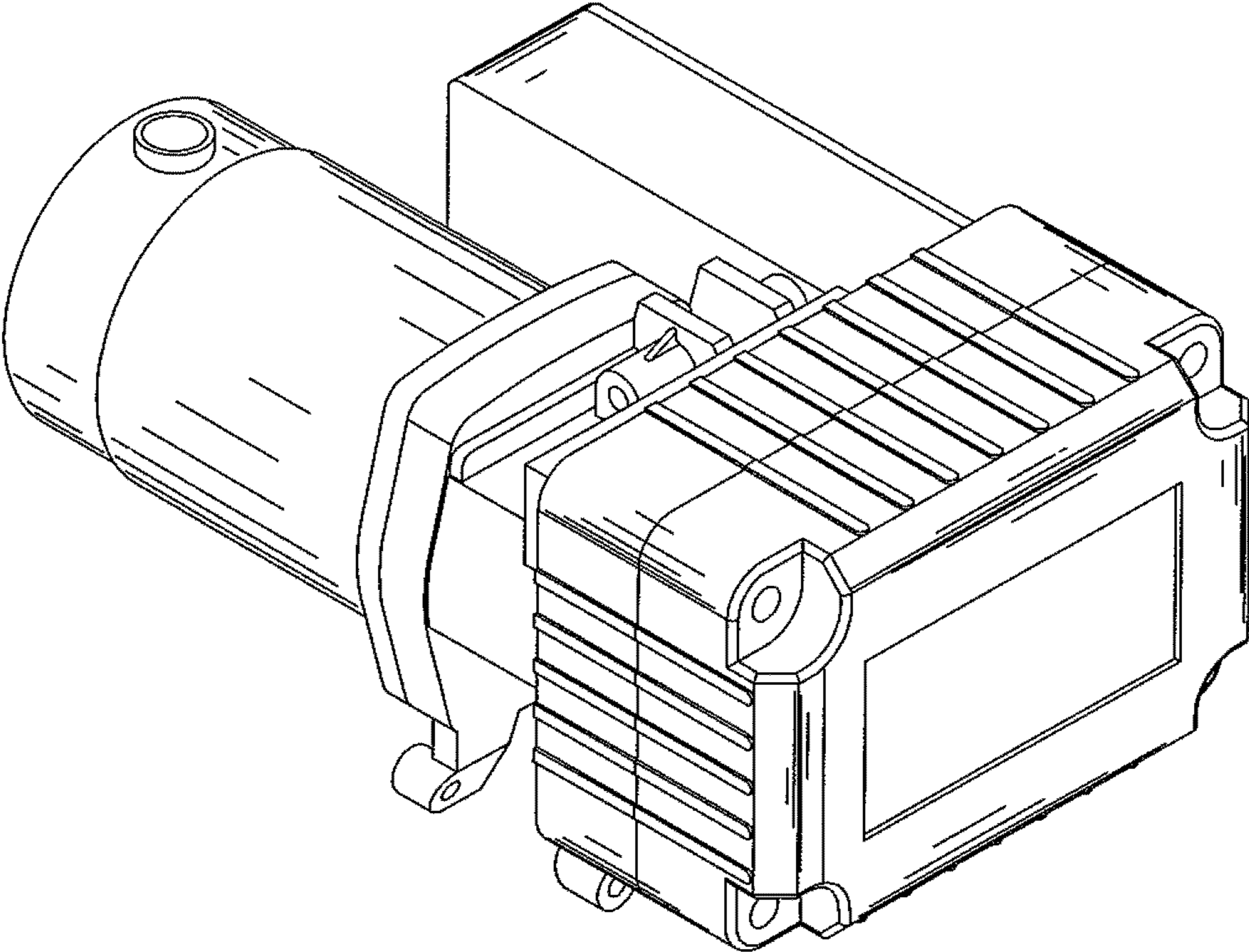


FIG. 1

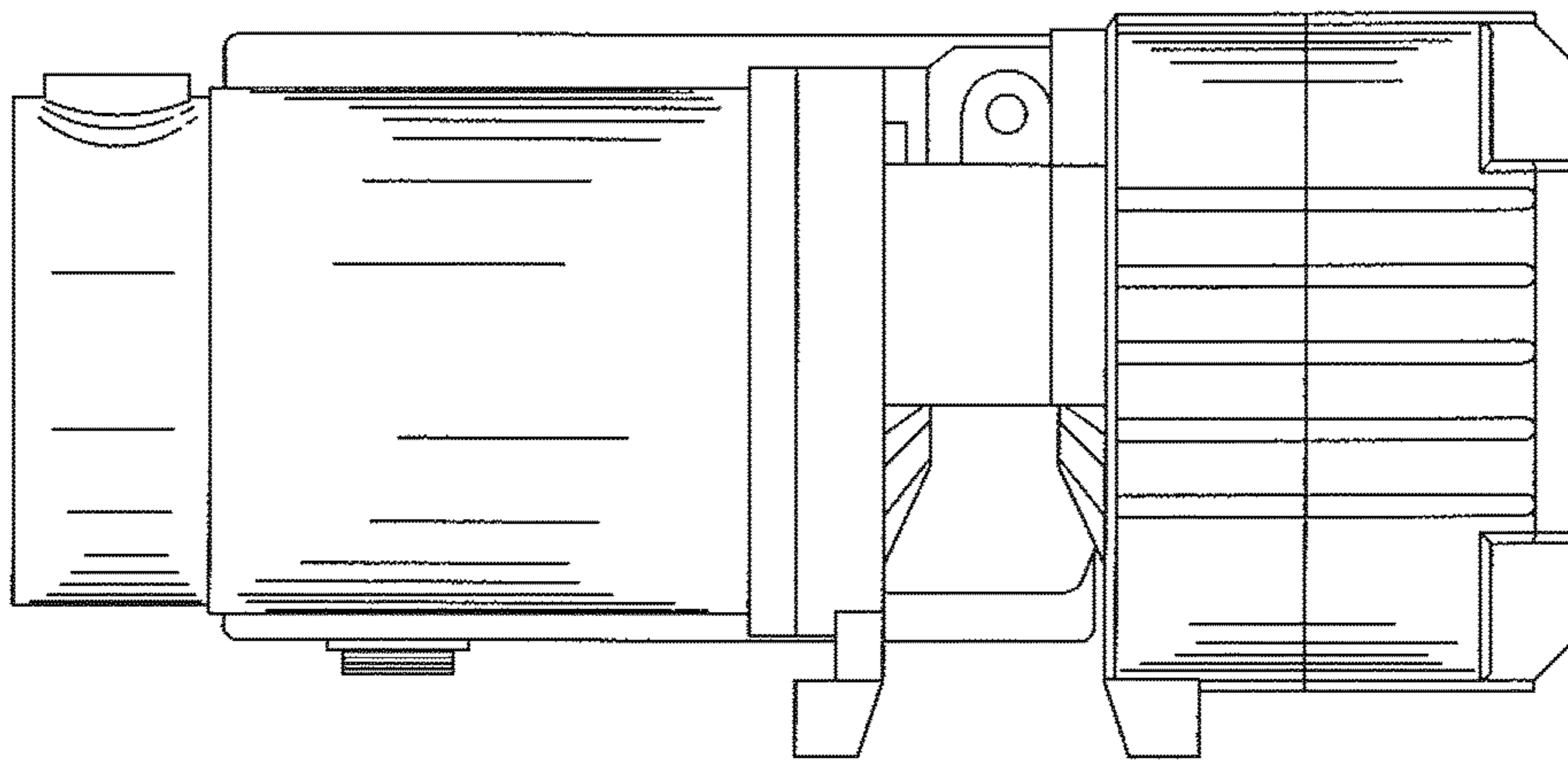


FIG. 2

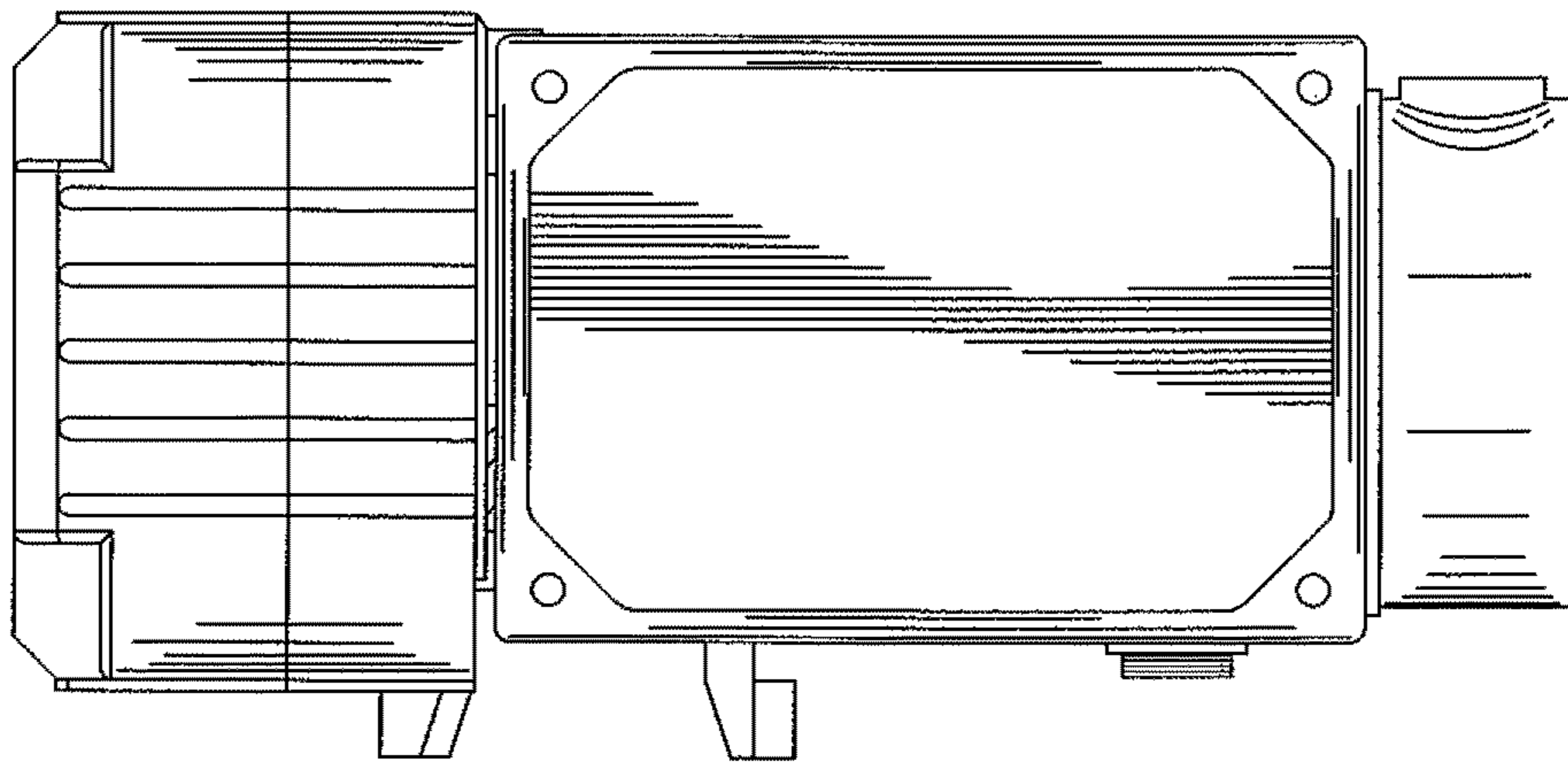


FIG. 3

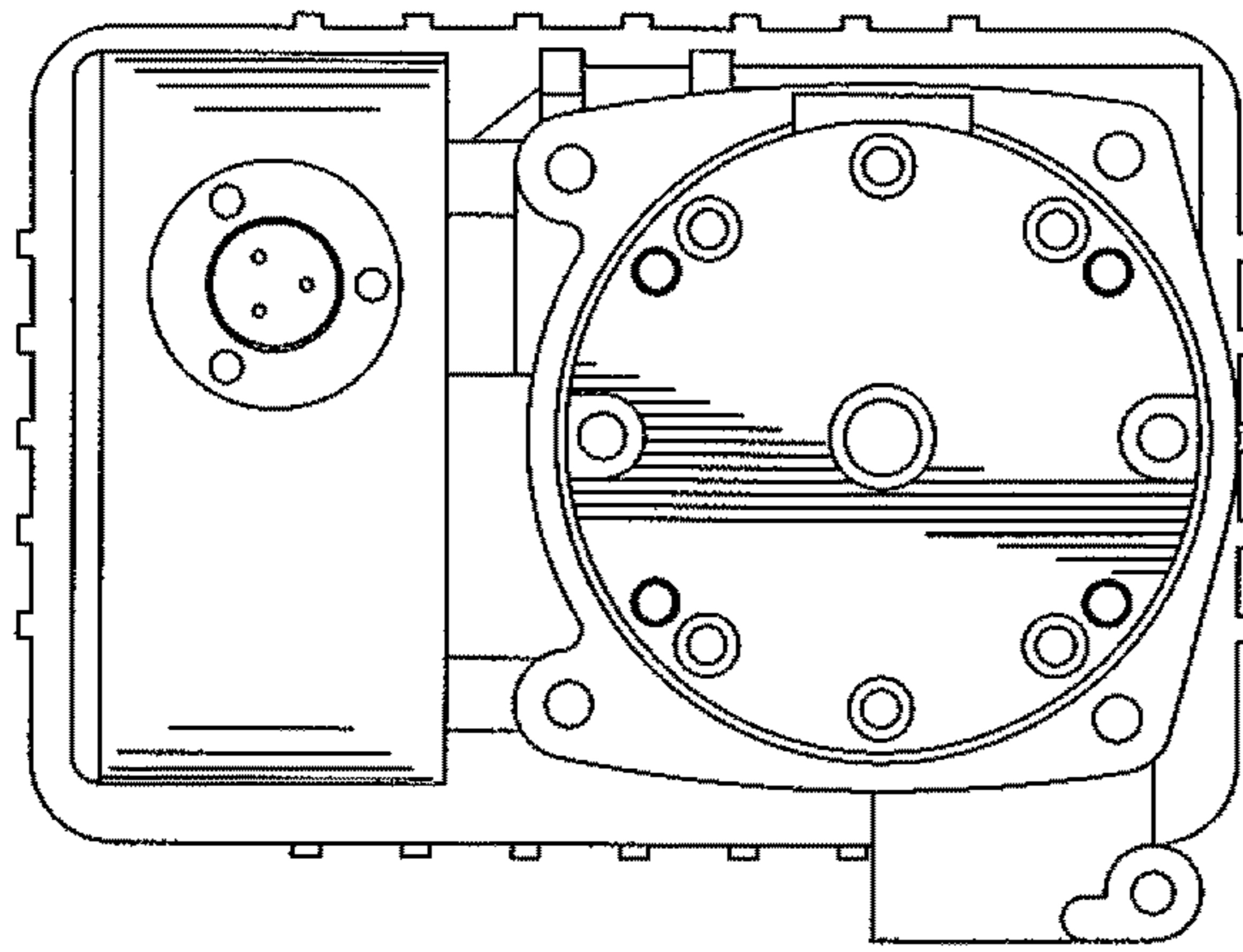


FIG. 4

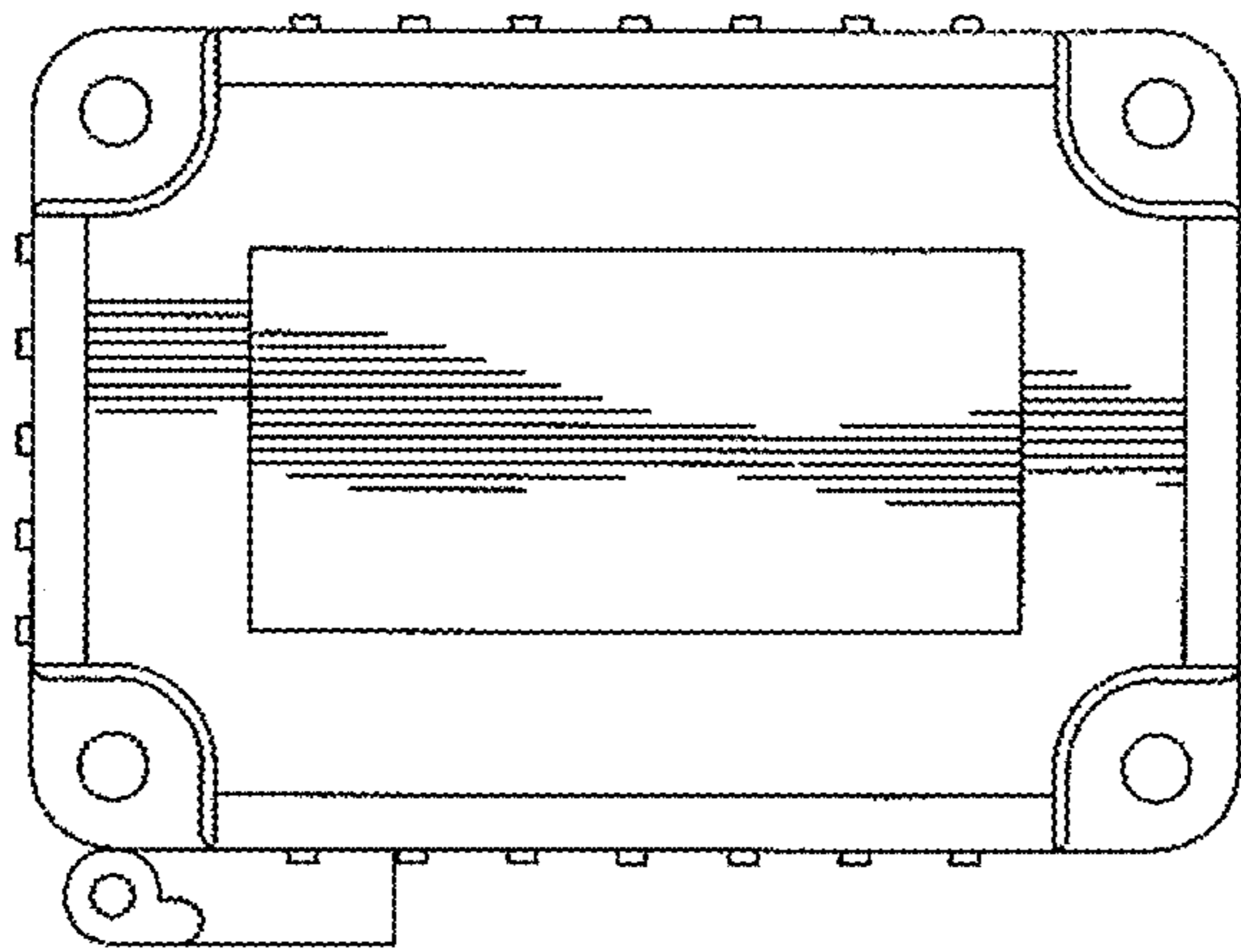


FIG. 5

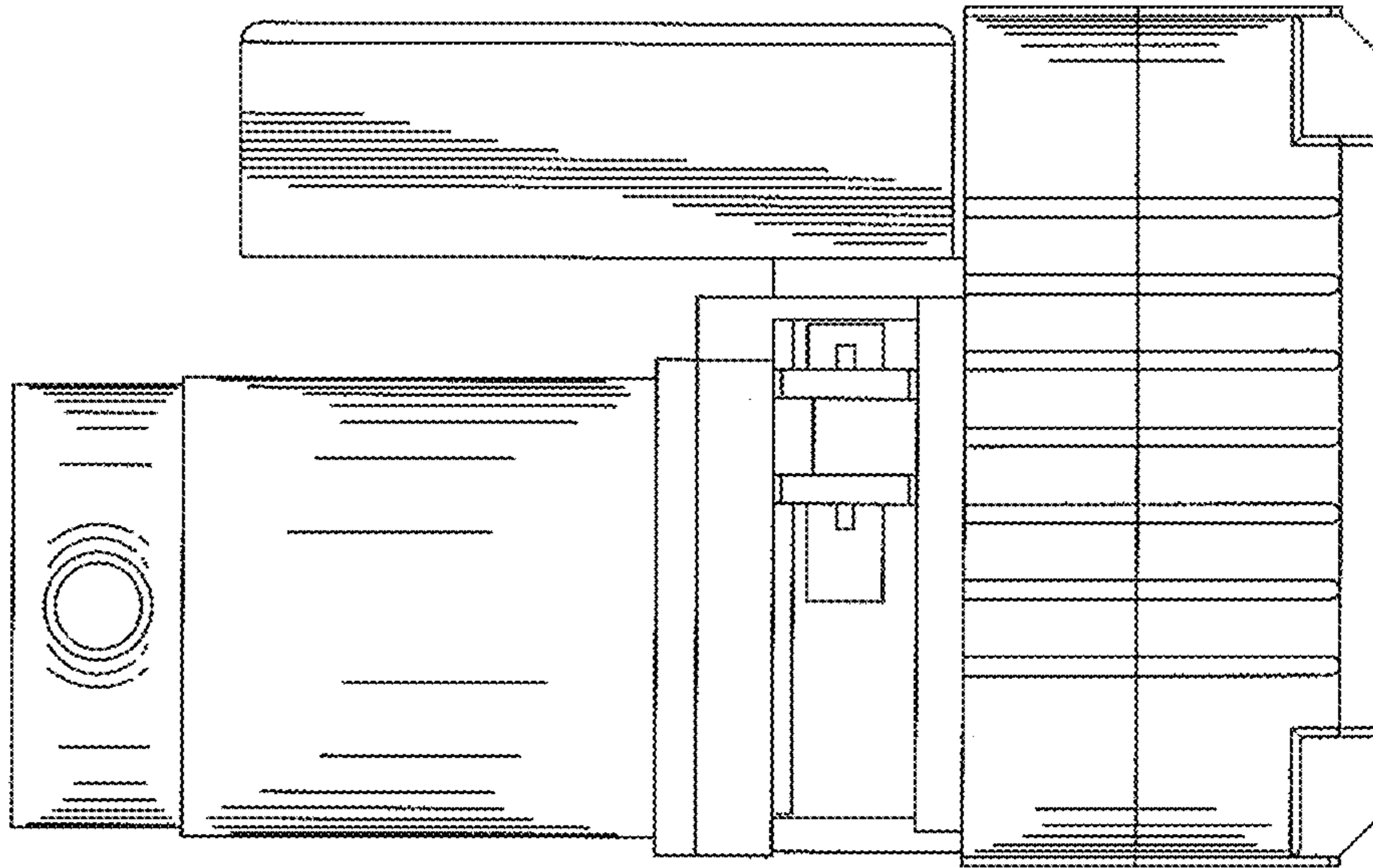


FIG. 6

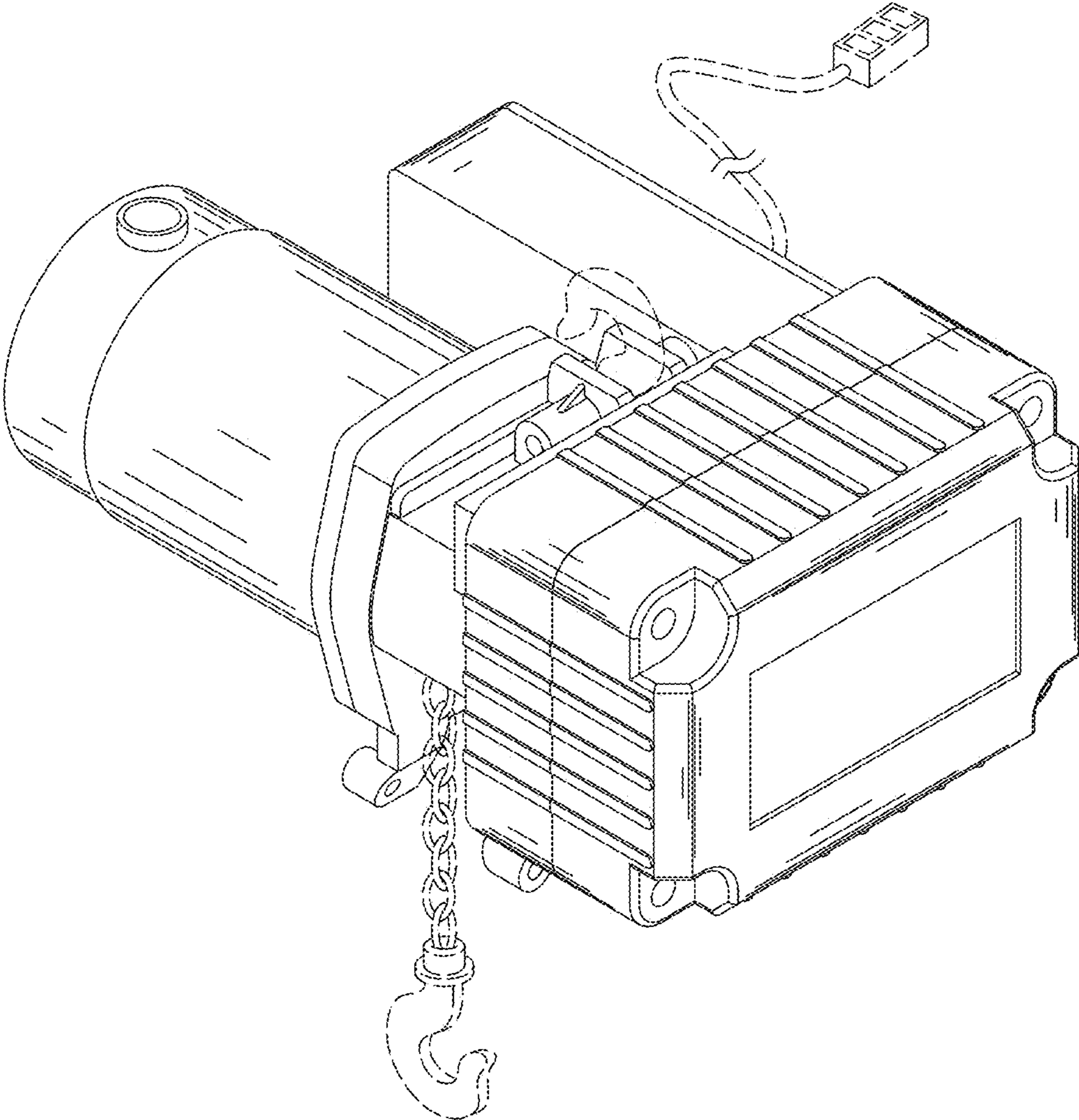


FIG. 7