



US00D896618S

(12) **United States Design Patent** (10) **Patent No.:** **US D896,618 S**
Super et al. (45) **Date of Patent:** **** Sep. 22, 2020**

(54) **BOX SUPPORT**
(71) Applicant: **IP File Worldwide Ltd.**, Tortola (VG)
(72) Inventors: **Neal Super**, Rye, NY (US); **Gina Super**, Rye, NY (US); **Lyndon Treacy**, Brooklyn, NY (US)
(73) Assignee: **IP File Worldwide Ltd.** (VG)
(**) Term: **15 Years**
(21) Appl. No.: **29/688,321**
(22) Filed: **Apr. 19, 2019**
(51) **LOC (12) Cl.** **08-05**
(52) **U.S. Cl.**
USPC **D8/354**; D8/403
(58) **Field of Classification Search**
USPC D8/403, 354, 349, 355, 394; D12/102, D12/136
CPC ... B65D 81/055; B65D 81/057; B65D 81/053
See application file for complete search history.

(56) **References Cited**
U.S. PATENT DOCUMENTS
2,670,122 A * 2/1954 Davidson B65D 81/056 206/586
D175,229 S * 7/1955 Neufeld D25/102
D287,446 S * 12/1986 Cowle D8/403
D325,835 S * 5/1992 Sollner D14/217
D350,439 S * 9/1994 Rekuc D3/272
D377,598 S * 1/1997 Beard, Jr. D25/102
D402,879 S * 12/1998 Beard, Jr. D8/354

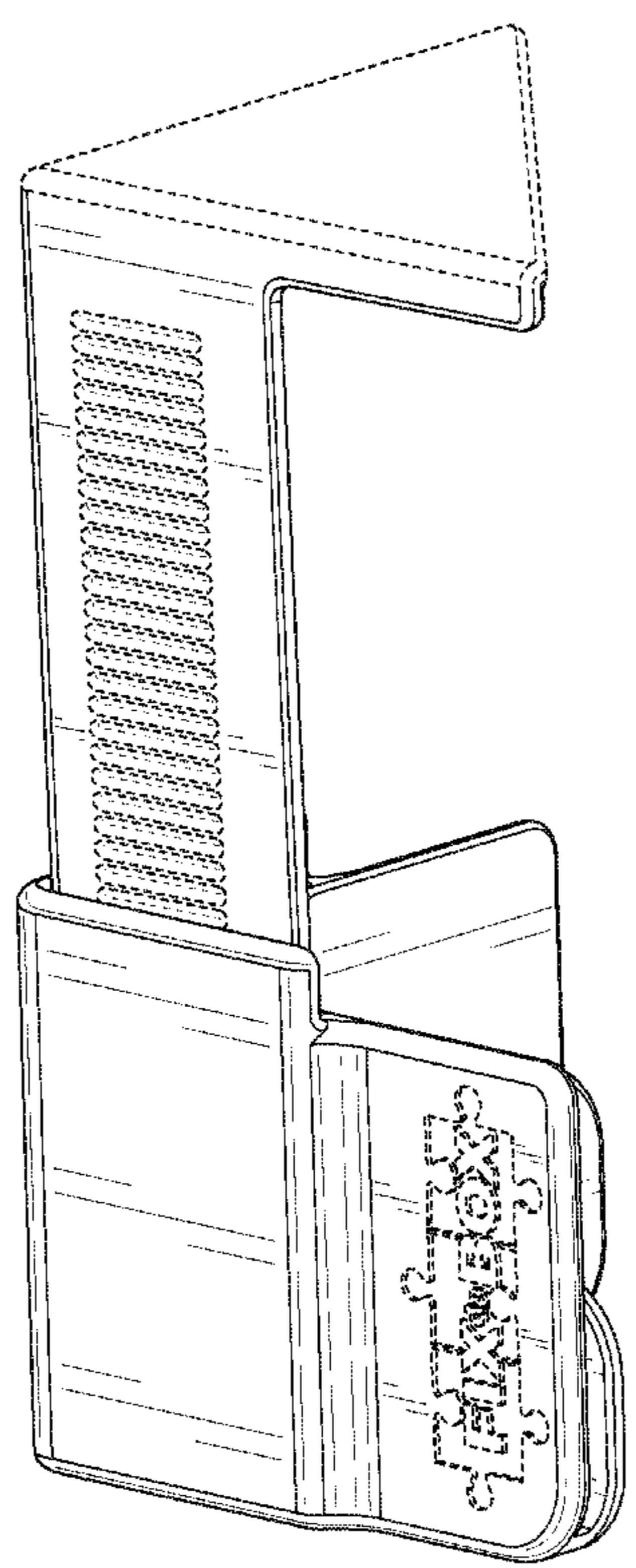
D542,127 S * 5/2007 Carr D8/403
D557,432 S * 12/2007 Smith D25/136
D732,862 S * 6/2015 Lloyd D6/683
D844,426 S * 4/2019 Mueller D8/403
2017/0129642 A1* 5/2017 McMillan B65D 5/445

* cited by examiner
Primary Examiner — Janice Hallmark
Assistant Examiner — Harold E Blackwell, II
(74) *Attorney, Agent, or Firm* — Kim IP Law Group

(57) **CLAIM**
The ornamental design for a box support, as shown and described.

DESCRIPTION
FIG. 1 is a perspective view of a box support in accordance with the new design;
FIG. 2 is a left side elevational view of the box support of FIG. 1;
FIG. 3 is a right side elevational view of the box support of FIG. 1;
FIG. 4 is a top plan view of the box support of FIG. 1;
FIG. 5 is a bottom plan view of the box support of FIG. 1;
FIG. 6 is a rear elevational view of the box support of FIG. 1;
FIG. 7 is a front elevational view of the box support of FIG. 1; and,
FIG. 8 is an exploded perspective view of the box support of FIG. 1.
The broken lines in FIGS. 1-8 illustrate portions of the box support which form no part of the claimed design.

1 Claim, 8 Drawing Sheets



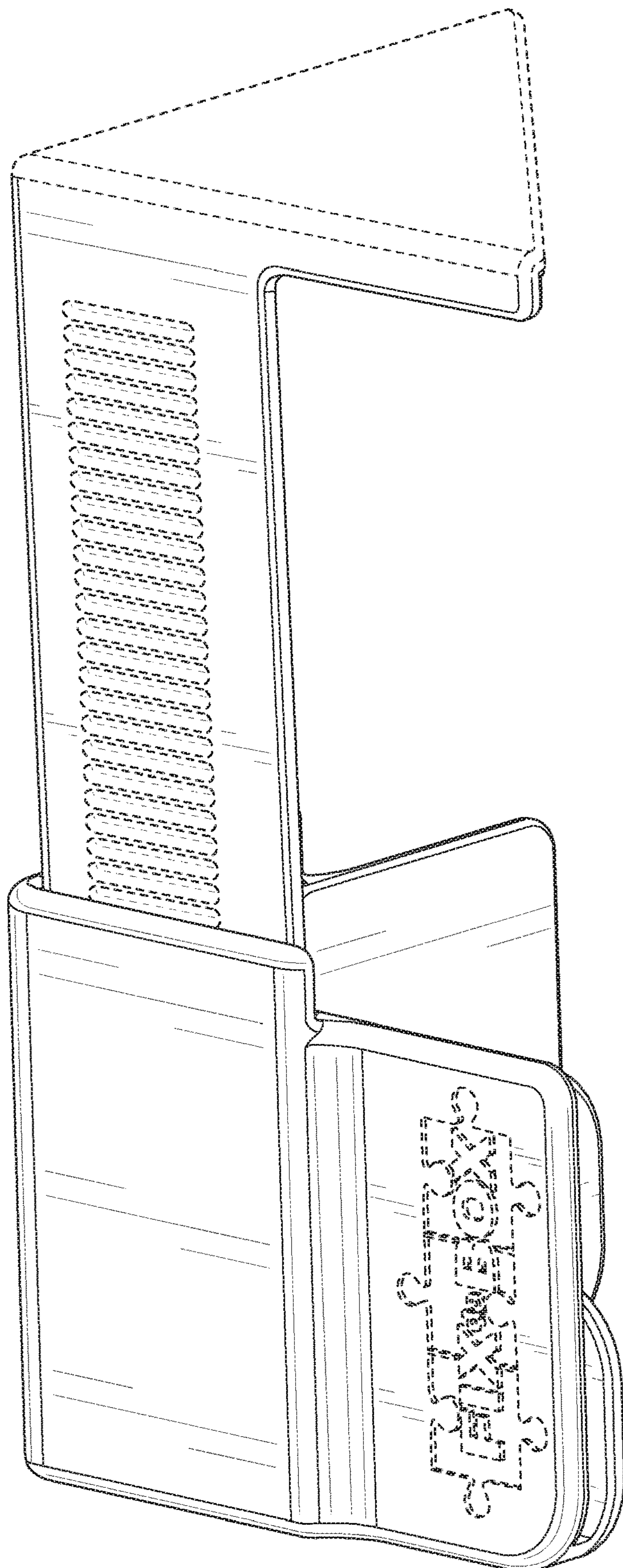


FIG. 1

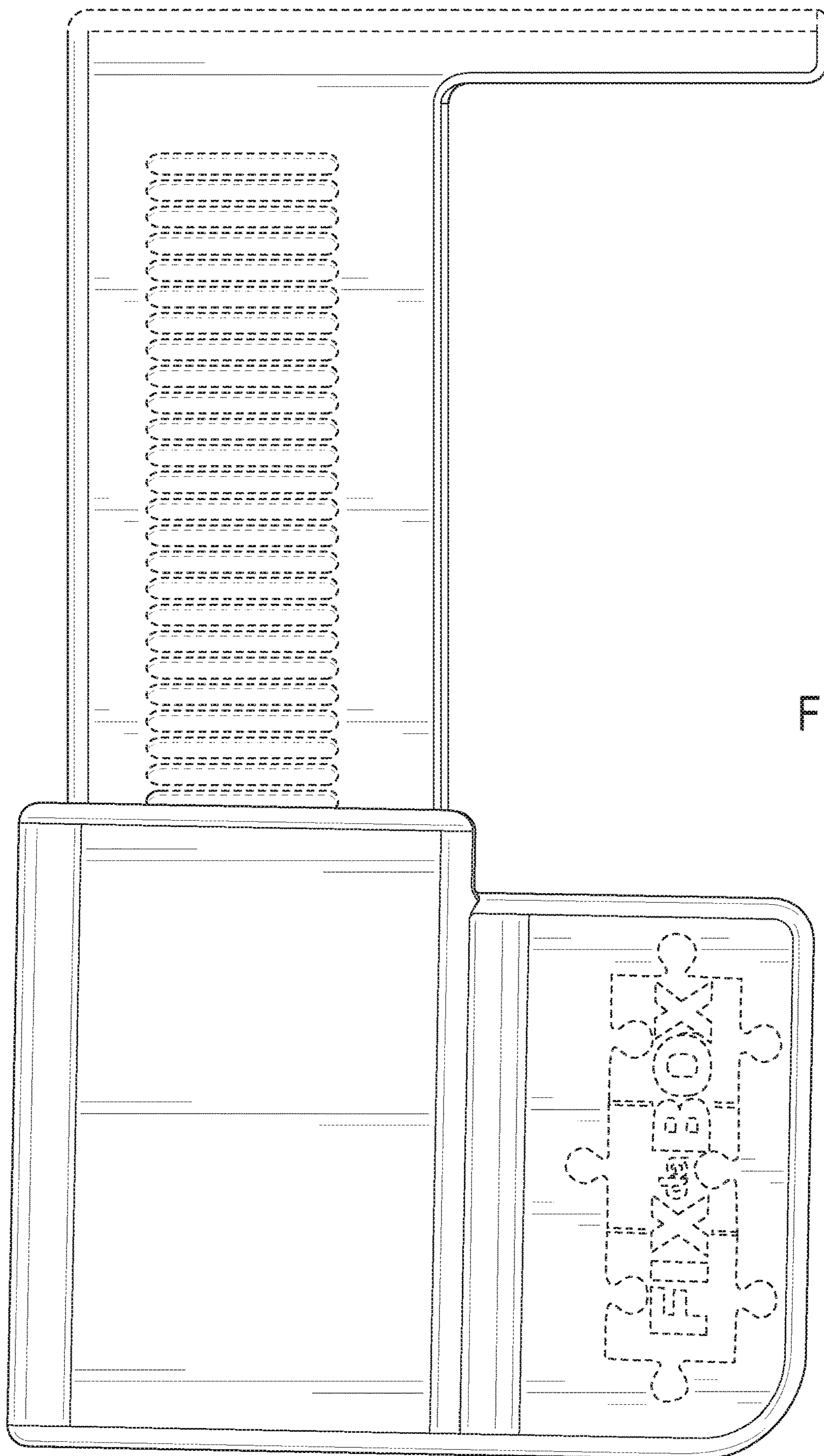


FIG. 2

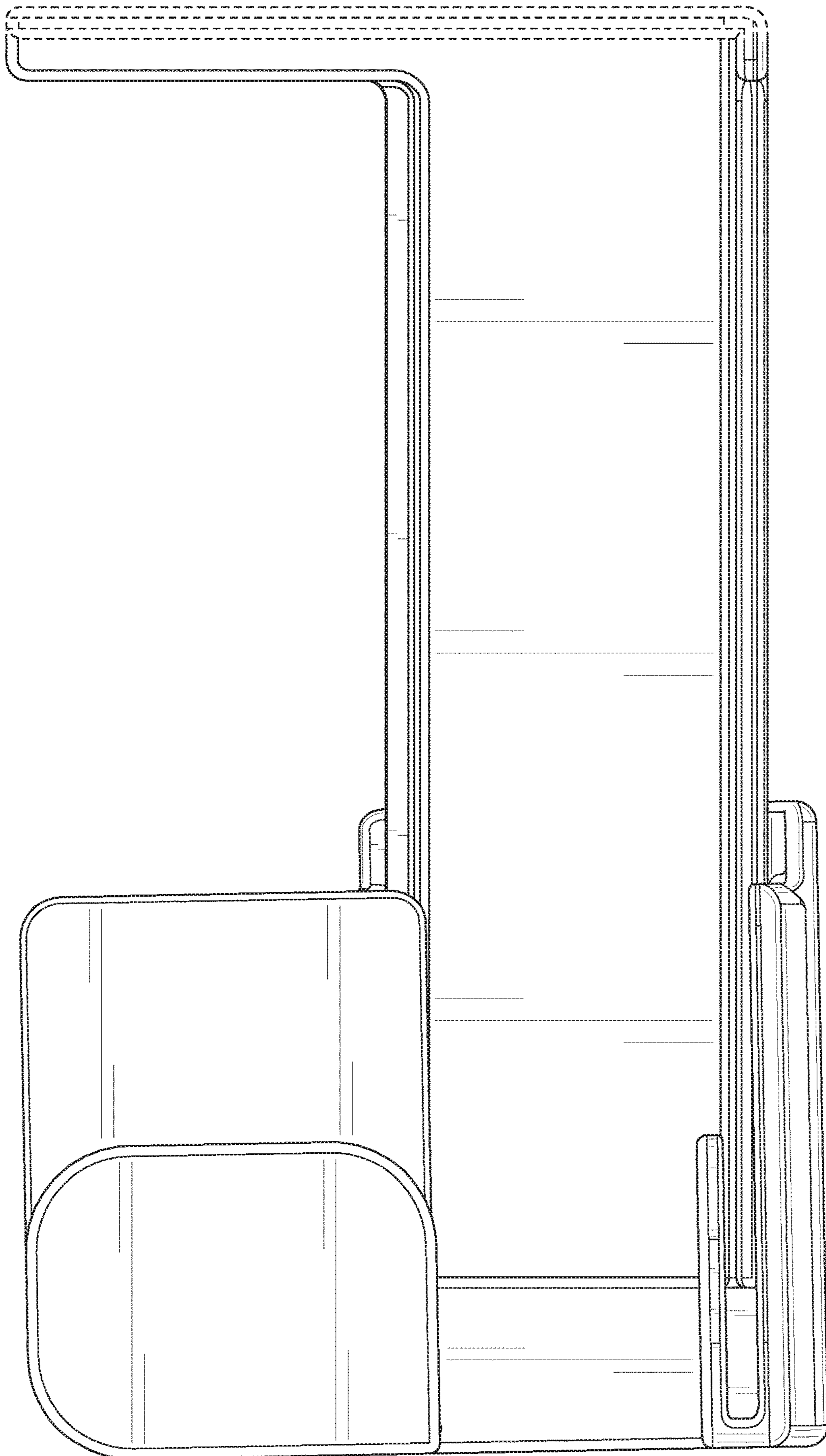


FIG. 3

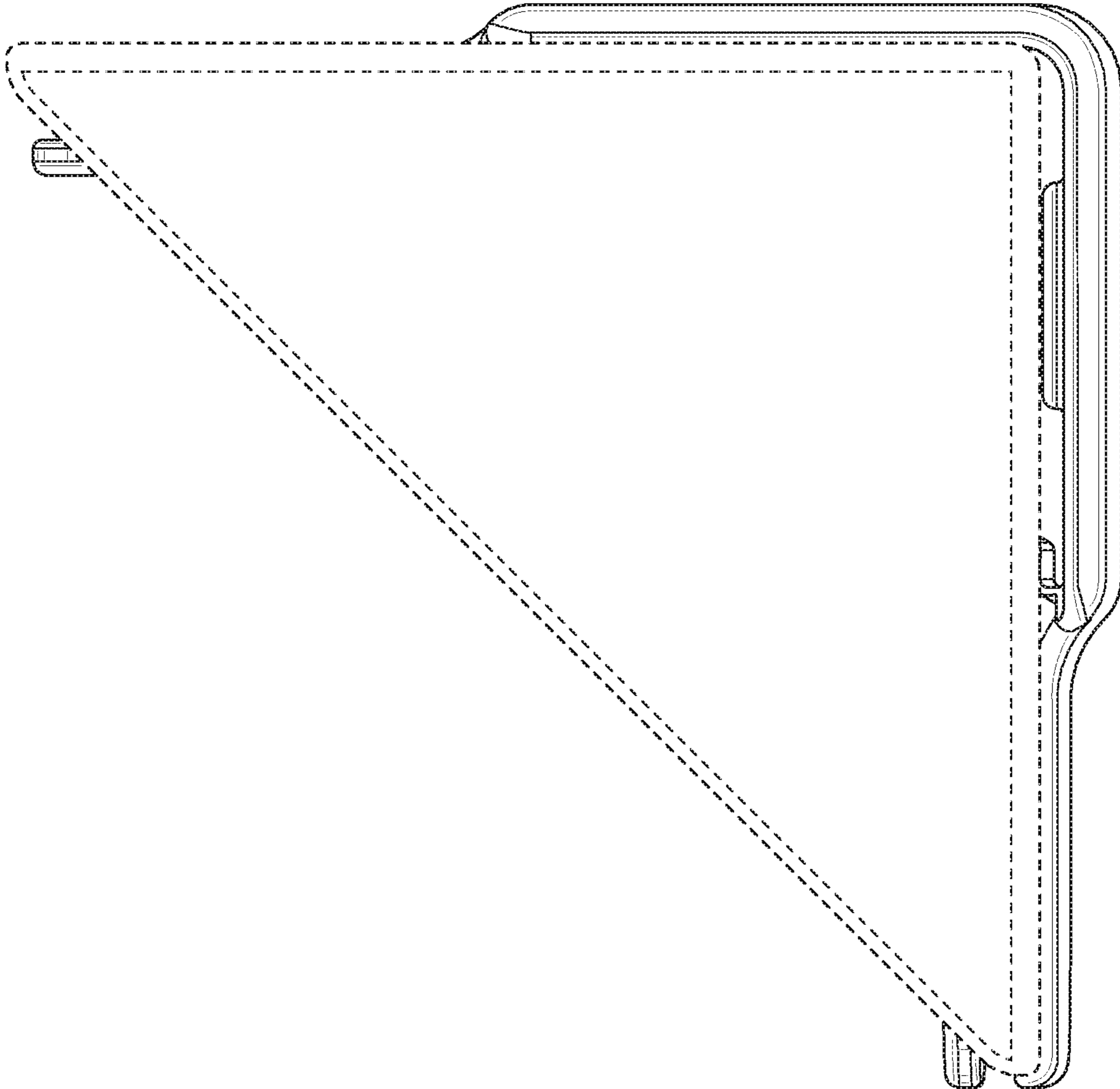


FIG. 4

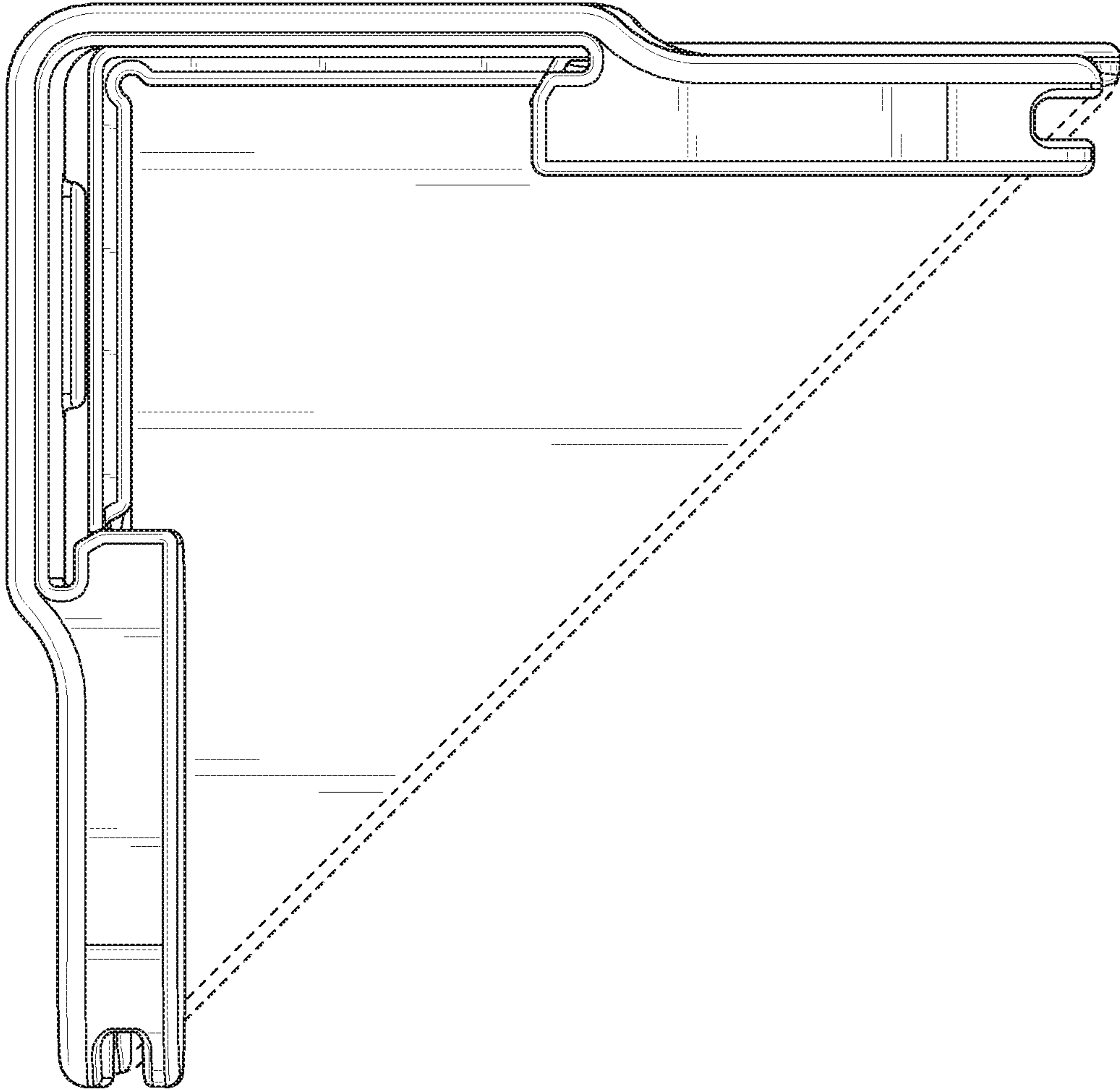


FIG. 5

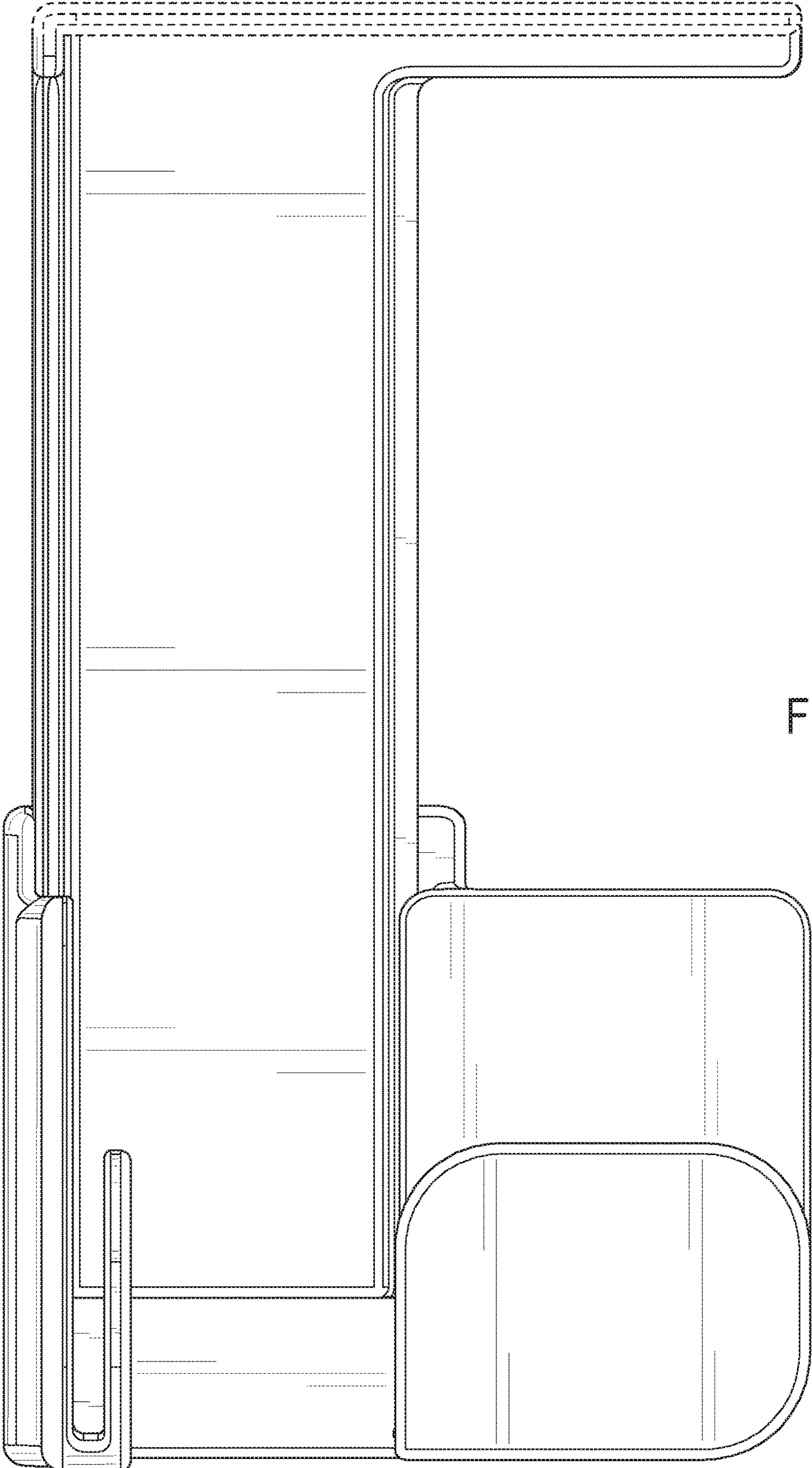


FIG. 6

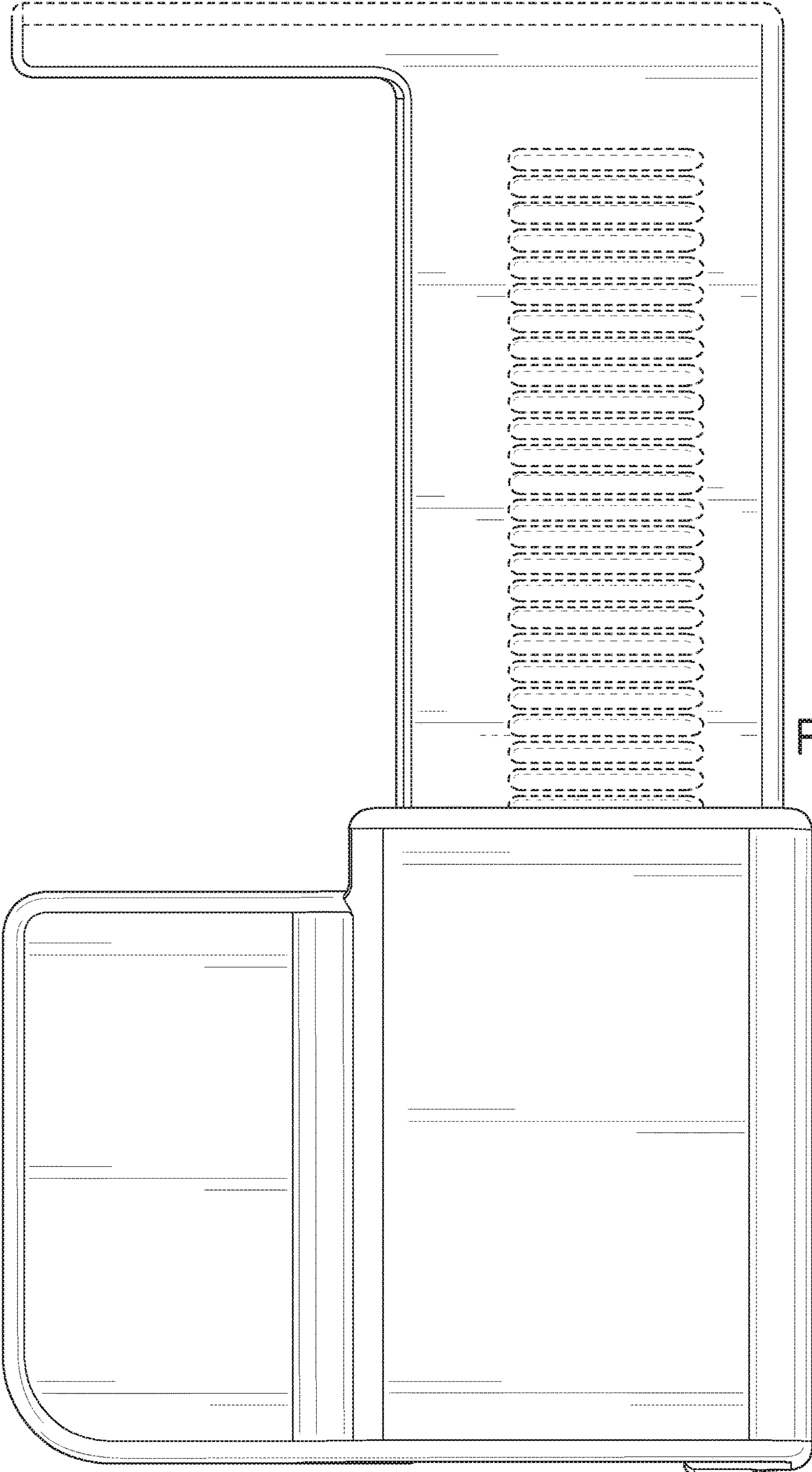


FIG. 7

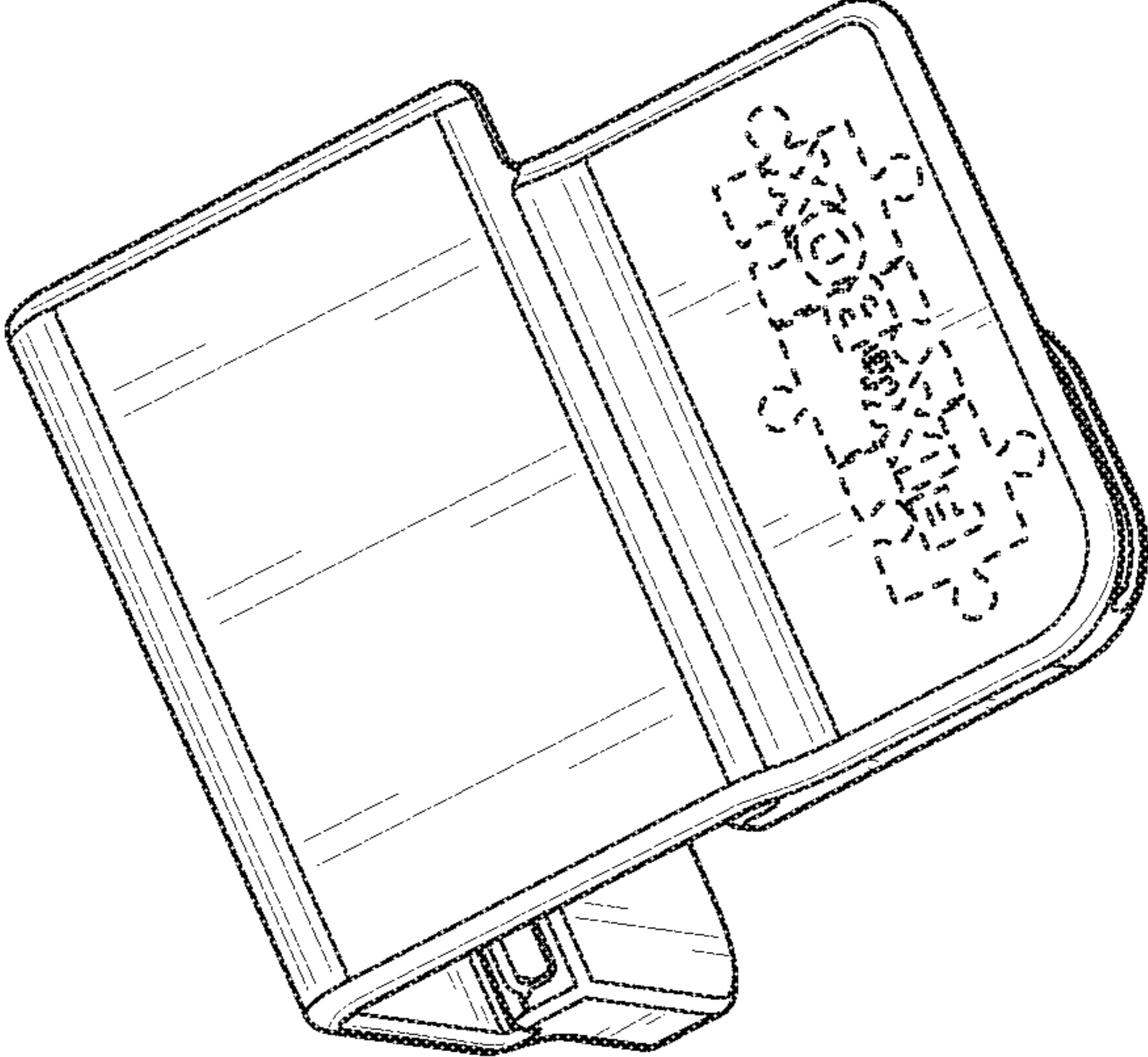
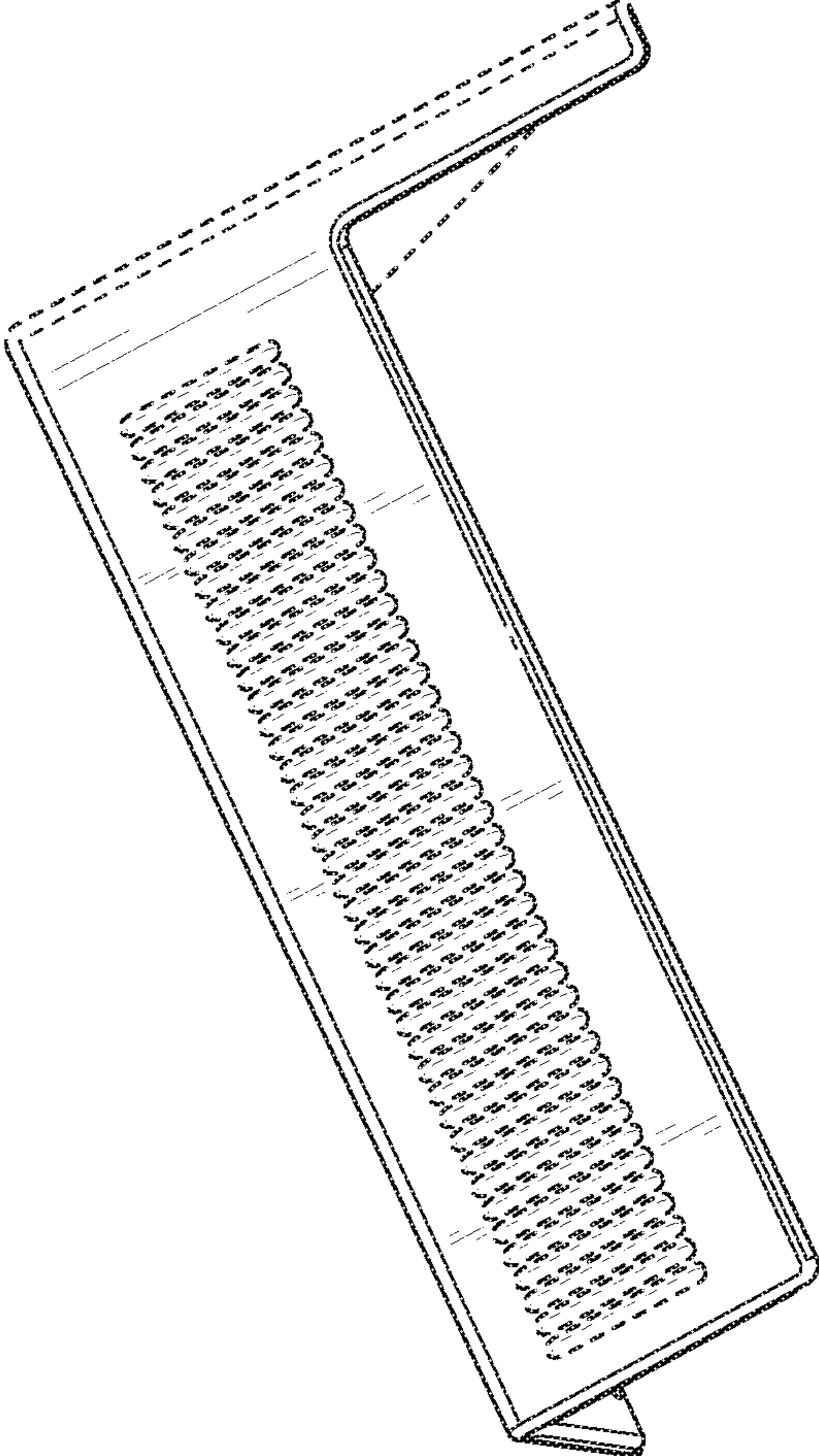


FIG. 8