



US00D896617S

(12) **United States Design Patent** (10) **Patent No.:** **US D896,617 S**  
**Zhan** (45) **Date of Patent:** **\*\* Sep. 22, 2020**

(54) **OPENING LOCATOR**

(71) Applicant: **JINHUA WANFENG TOOL FACTORY**, Jinhua (CN)

(72) Inventor: **Jinqiang Zhan**, Jinhua (CN)

(\*\*) Term: **15 Years**

(21) Appl. No.: **29/674,690**

(22) Filed: **Dec. 23, 2018**

(30) **Foreign Application Priority Data**

Jun. 26, 2018 (CN) ..... 2018 3 0331606

(51) **LOC (12) Cl.** ..... **08-05**

(52) **U.S. Cl.**  
USPC ..... **D8/354**

(58) **Field of Classification Search**  
USPC ..... D8/354  
CPC ..... A47B 45/00; F16B 2/005  
See application file for complete search history.

(56) **References Cited**

**U.S. PATENT DOCUMENTS**

D237,681 S *	11/1975	Knohl et al.	.....	D8/399
D263,678 S *	4/1982	Dewey	.....	411/531
D263,927 S *	4/1982	Dewey	.....	411/531
D263,928 S *	4/1982	Dewey	.....	411/531
D275,077 S *	8/1984	Bowen	.....	D11/102
D310,324 S *	9/1990	Bernacchi	.....	D8/352
D824,717 S *	8/2018	Allen	.....	D7/354
10,190,616 B2 *	1/2019	MacDonald	.....	F16B 25/0026
D844,424 S *	4/2019	MacDonald	.....	D8/399
D860,024 S *	9/2019	Illouz	.....	D10/106.2
D870,535 S *	12/2019	Gebhardt	.....	D8/354
D876,927 S *	3/2020	Starr	.....	D8/354
D878,905 S *	3/2020	Illouz	.....	D8/354

**OTHER PUBLICATIONS**

Adjustable Hole Locator, posted at uk.dhgate.com, posting date by Mar. 29, 2019, [online], [site visited Jun. 5, 2020]. Available from Internet, URL: <https://uk.dhgate.com/product/adjustable-ceramic-tile-hole-locator-6-folding/438281987.html> (Year: 2019).\*

Aluminum Alloy Multi Angle Folding Ruler Tool, posted at alibaba.com, posting date not given, [online], [site visited Jun. 5, 2020]. Available from Internet, URL: [https://www.alibaba.com/product-detail/Aluminum-Alloy-Multi-Angle-Folding-Ruler\\_62281498186.html](https://www.alibaba.com/product-detail/Aluminum-Alloy-Multi-Angle-Folding-Ruler_62281498186.html) (Year: 2020).\*

Aluminum alloy multi-function six-fold ruler, posted at amazon.com, posting date Apr. 24, 2019, [online], [site visited Jun. 5, 2020]. Available from Internet, URL: <https://www.amazon.com/Aluminum-multi-function-universal-Craftsmen-Carpenters/dp/B07R3C9526> (Year: 2019).\*

(Continued)

*Primary Examiner* — George D. Kirschbaum

*Assistant Examiner* — Maria J Edwards

(74) *Attorney, Agent, or Firm* — Erson IP (Nelson IP)

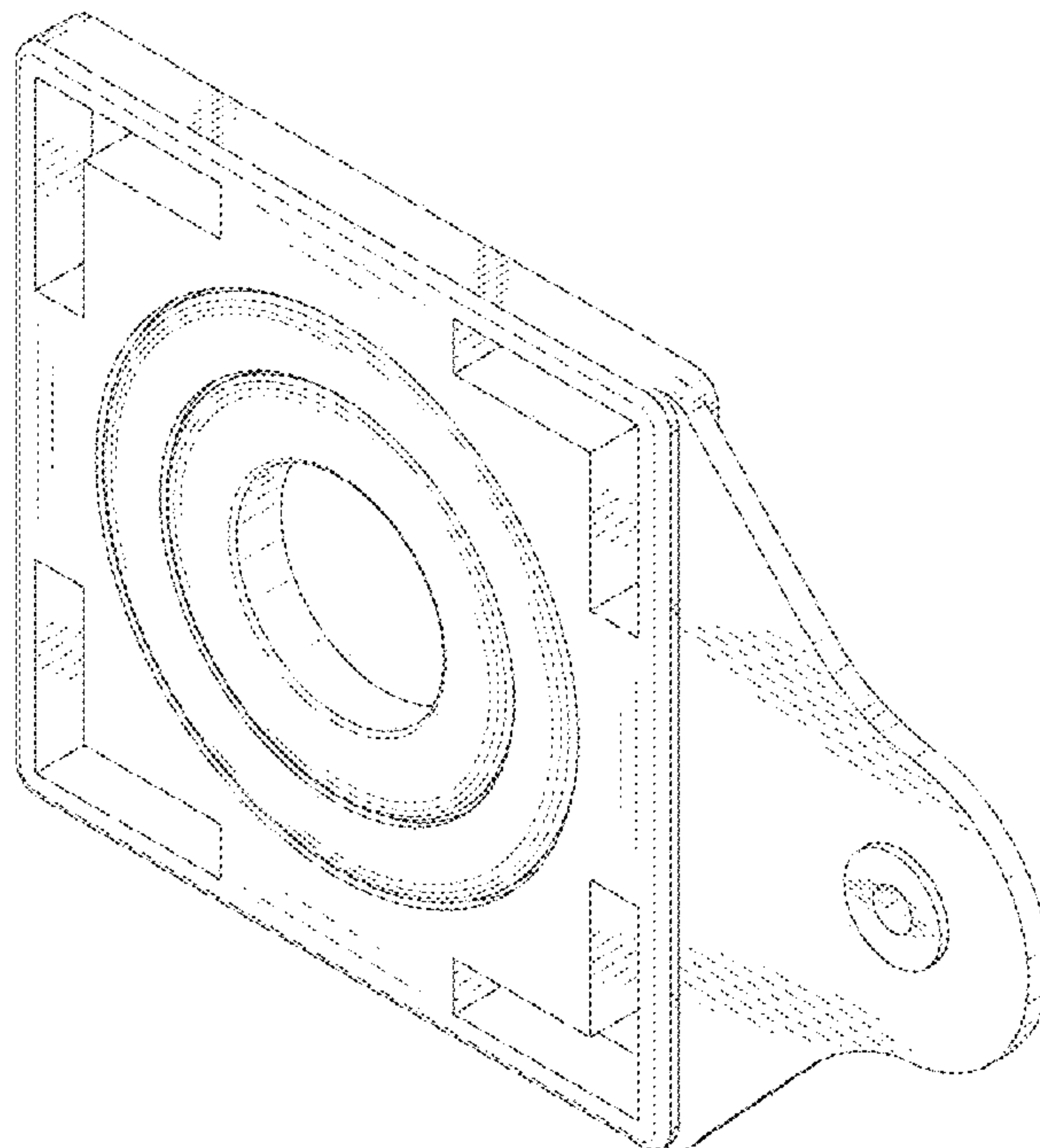
(57) **CLAIM**

The ornamental design for an opening locator, as shown and described.

**DESCRIPTION**

FIG. 1 is a perspective view of an opening locator showing my new design;  
FIG. 2 is another perspective view thereof;  
FIG. 3 is a front view thereof;  
FIG. 4 is a rear view thereof;  
FIG. 5 is a left side view thereof;  
FIG. 6 is a right side view thereof;  
FIG. 7 is a top plan view thereof; and,  
FIG. 8 is a bottom plan view thereof.

**1 Claim, 8 Drawing Sheets**



(56)

**References Cited**

## OTHER PUBLICATIONS

Amenitee Universal Opening Locator, posted at amazon.com, posting date Dec. 7, 2018, [online], [site visited Jun. 5, 2020]. Available from Internet, URL: <https://www.amazon.com/Amenitee-Six-Sided-Aluminum-Alloy-Measuring/dp/B07L749V3X> (Year: 2018).\*

Drill guide locator, posted at banggood.com, posting date by Apr. 19, 2019, [online], [site visited Jun. 5, 2020]. Available from Internet, URL: <https://www.banggood.com/Drill-Guide-Locator-Multifunctional-Pocket-Hole-Jig-Tile-Opening-Hole-Locator-Punching-To-p-1389788.html> (Year: 2019).\*

MaxForm Easy Angle Ruler, posted at ebay.ca, posting date Sep. 19, 2018 as found by tineye.com, [online], [site visited Jun. 5, 2020]. Available from Internet, URL: [https://www.ebay.ca/sch/sis.html?\\_nkw=MaxForm Easy Angle Ruler Amenitee Multi Angle Measuring Ruler Great Template&\\_itemId=222432918786](https://www.ebay.ca/sch/sis.html?_nkw=MaxForm+Easy+Angle+Ruler+Amenitee+Multi+Angle+Measuring+Ruler+Great+Template&_itemId=222432918786) (Year: 2018).\*

Multi Angle Tool, posted at amazon.com, posting date Nov. 7, 2019, [online], [site visited Jun. 5, 2020]. Available from Internet, URL: <https://www.amazon.com/Six-Sided-Angle-Measuring-Universal-Aluminum/dp/B08155Q78N/> (Year: 2019).\*

Multi-Angle Ruler Template Tool, posted at amazon.com, posting date Jul. 10, 2018, [online], [site visited Jun. 5, 2020]. Available from Internet, URL: <https://www.amazon.com/Multi-Angle-Adjustment-Enhanced-Template-Templates/dp/B07FDPPDW9> (Year: 2018).\*

Tile Opening Locator, posted at mytoolsstore.com, posting date by Jun. 3, 2019, [online], [site visited Jun. 5, 2020]. Available from Internet, URL: <https://mytoolsstore.com/product/tile-opening-locator-mud-tile-shop-paste-floor-tile-glass-vientiane-universal-hole-punch-multi-functional-adjustable-tool/> (Year: 2019).\*

Universal Opening Locator, posted at neatdaddy.com, posting date not given, [online], [site visited Jun. 5, 2020]. Available from Internet, URL: <https://neatdaddy.com/product/universal-opening-locator> (Year: 2020).\*

\* cited by examiner

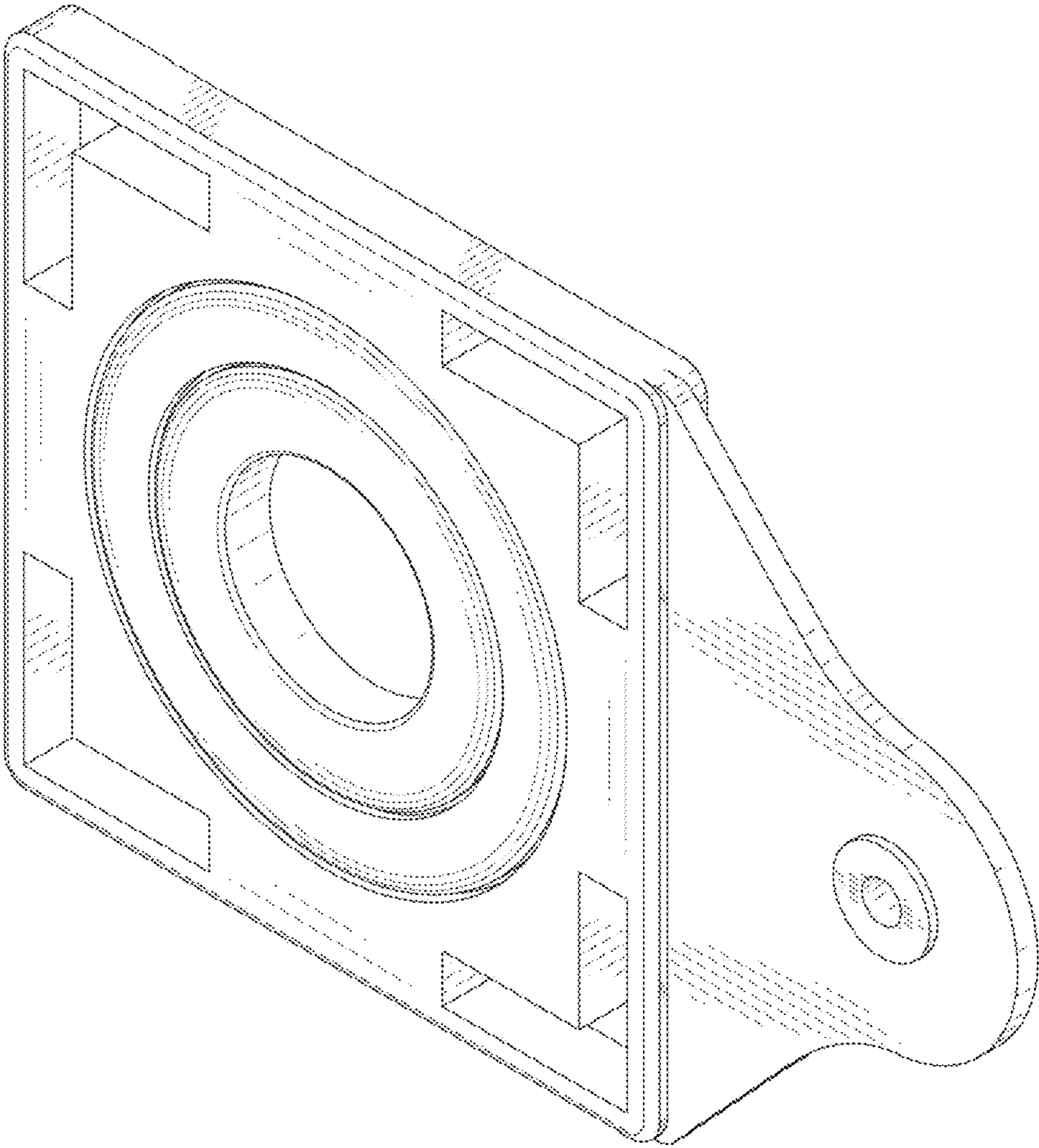


Fig. 1



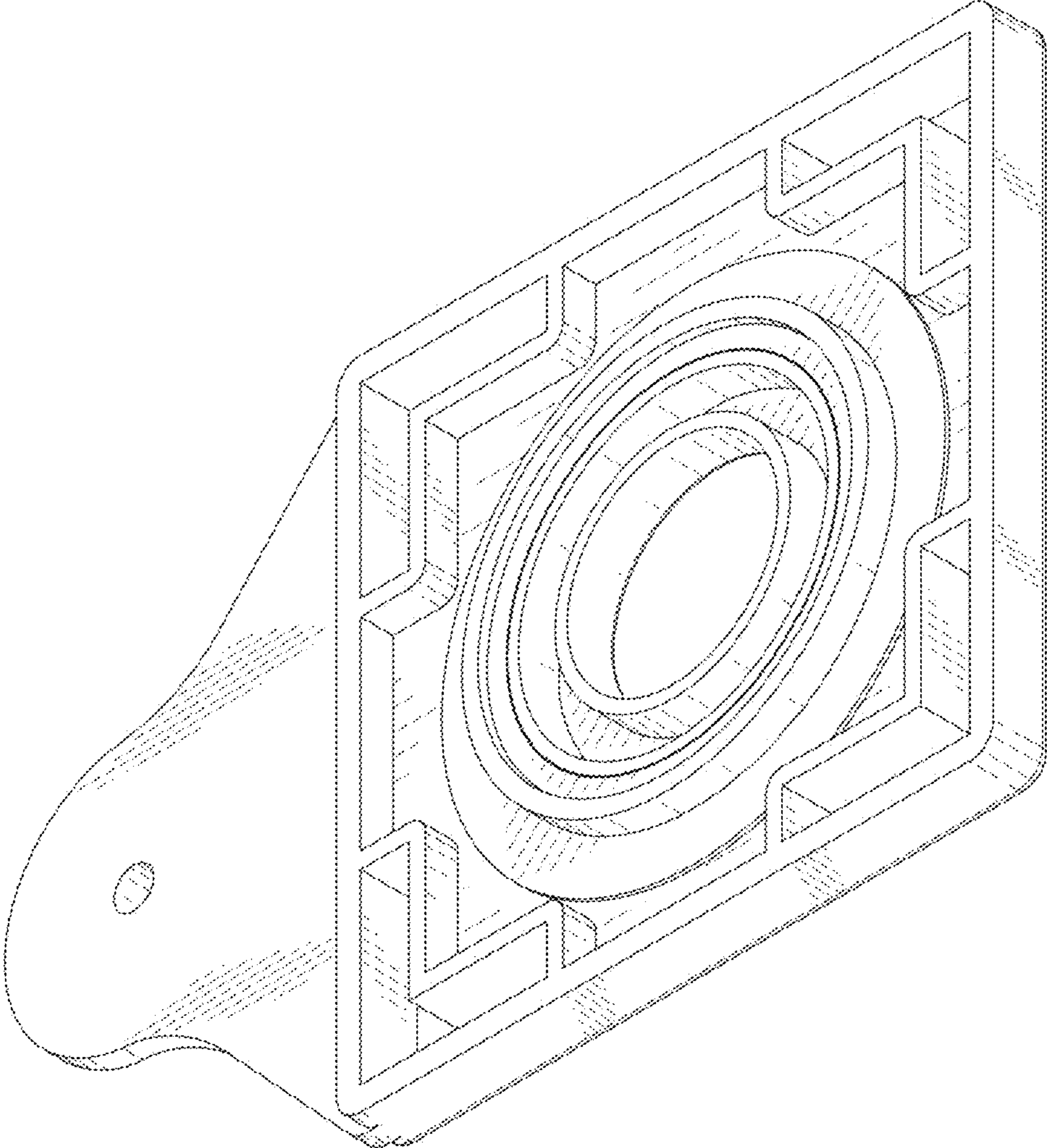


Fig. 2

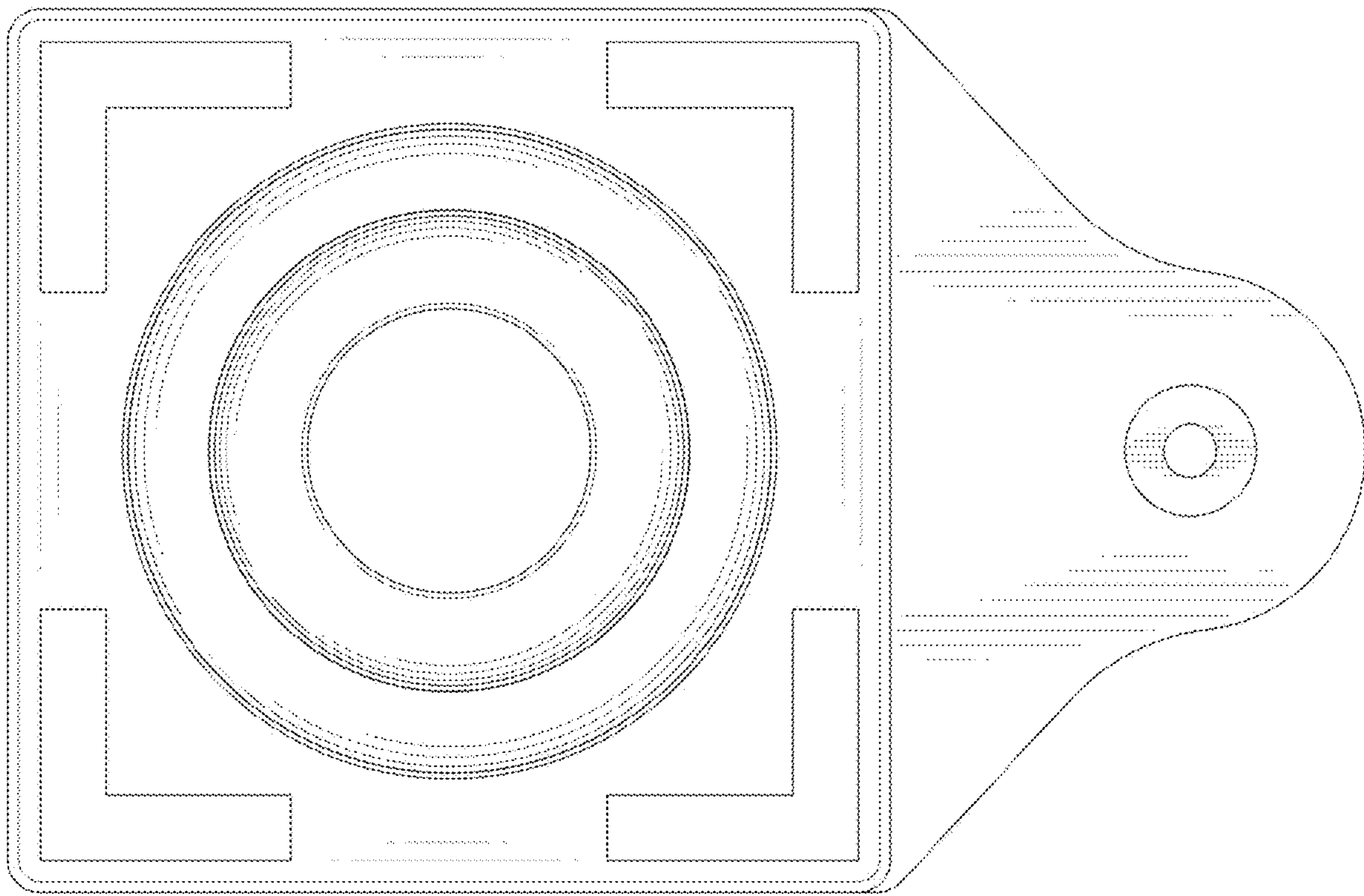


Fig. 3

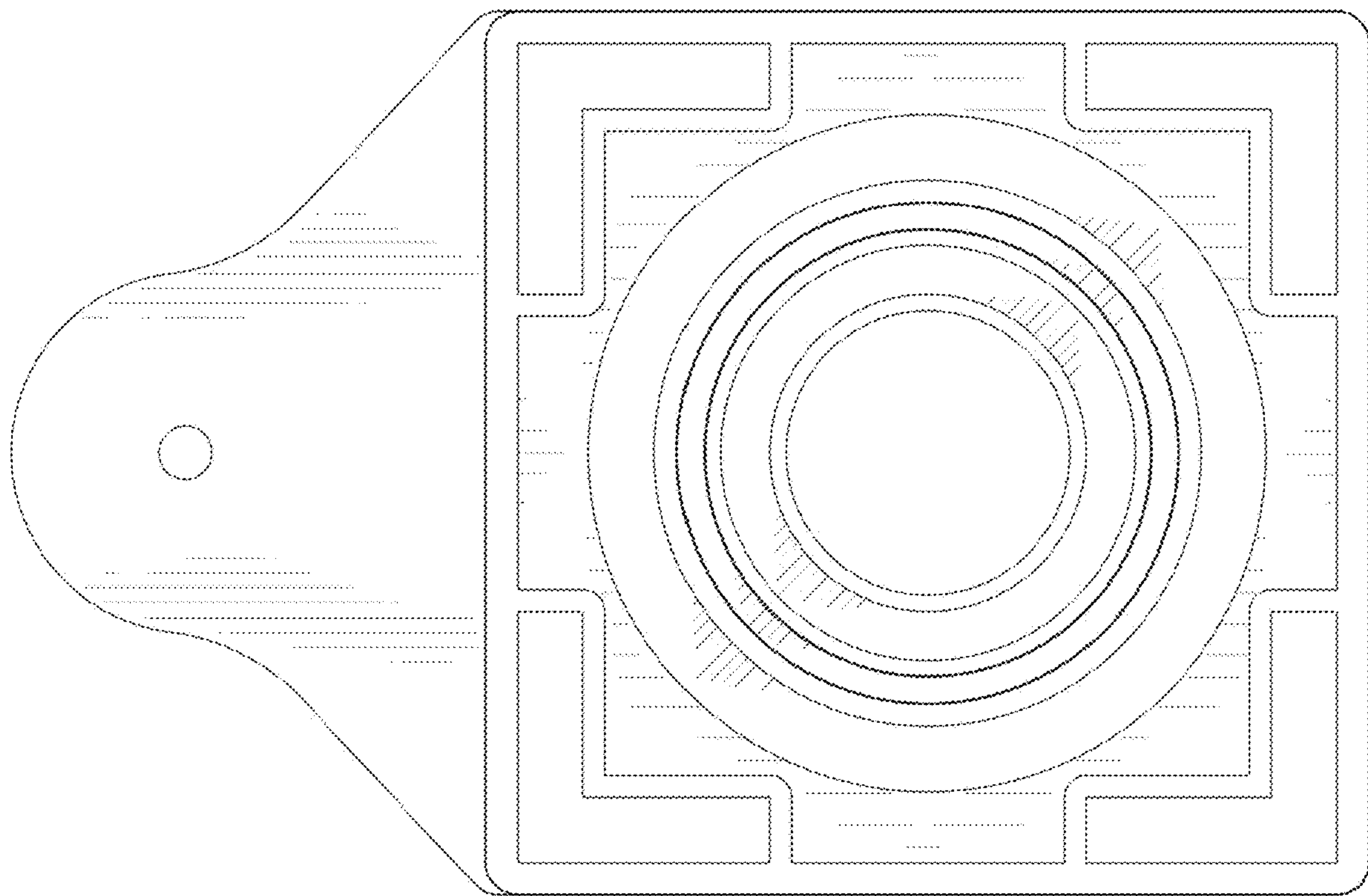


Fig. 4



Fig. 5

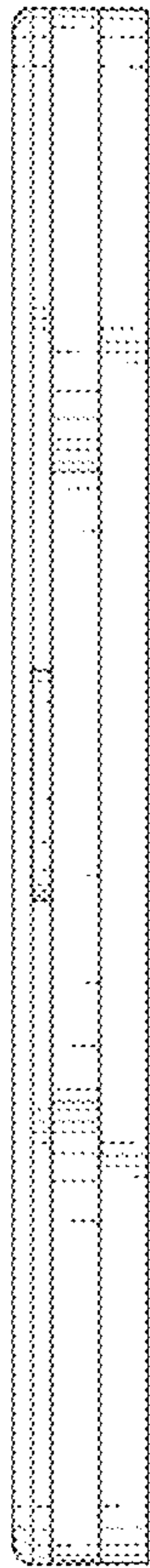


Fig. 6





Fig. 7

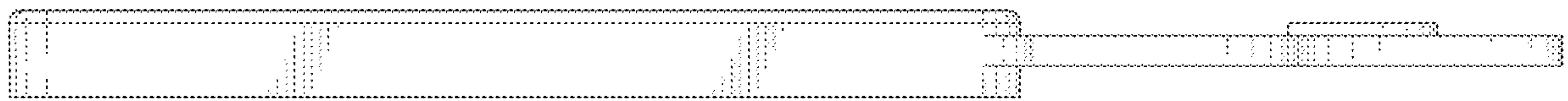


Fig. 8