



US00D896616S

(12) **United States Design Patent** (10) **Patent No.:** **US D896,616 S**
Akbar et al. (45) **Date of Patent:** **** Sep. 22, 2020**

(54) **GARAGE DOOR CAM**

OTHER PUBLICATIONS

(71) Applicant: **Clopay Building Products Company, Inc.**, Mason, OH (US)

International Searching Authority, International Search Report and Written Opinion, PCT/US2019/027596, dated Jul. 8, 2019, 11 pgs.

(72) Inventors: **Muhammad J. Akbar**, Cincinnati, OH (US); **James O. Rogers, III**, Milford, OH (US)

Primary Examiner — Mark A Goodwin
Assistant Examiner — Benjamin M Weeks

(73) Assignee: **Clopay Building Products Company, Inc.**, Mason, OH (US)

(74) *Attorney, Agent, or Firm* — Wood Herron & Evans LLP

(**) Term: **15 Years**

(57) **CLAIM**

An ornamental design for a garage door cam, as shown and described.

(21) Appl. No.: **29/671,388**

DESCRIPTION

(22) Filed: **Nov. 27, 2018**

Related U.S. Application Data

(63) Continuation-in-part of application No. 29/641,495, filed on Mar. 22, 2018, now Pat. No. Des. 855,438.

(51) **LOC (12) Cl.** **08-08**

(52) **U.S. Cl.**
USPC **D8/349**

(58) **Field of Classification Search**
USPC D6/672, 684, 680, 683.1, 703.5; D8/349, D8/354, 355, 330, 331, 333, 380, 382;
(Continued)

(56) **References Cited**

U.S. PATENT DOCUMENTS

955,991 A 4/1910 Pheils
974,327 A 11/1910 Woods
(Continued)

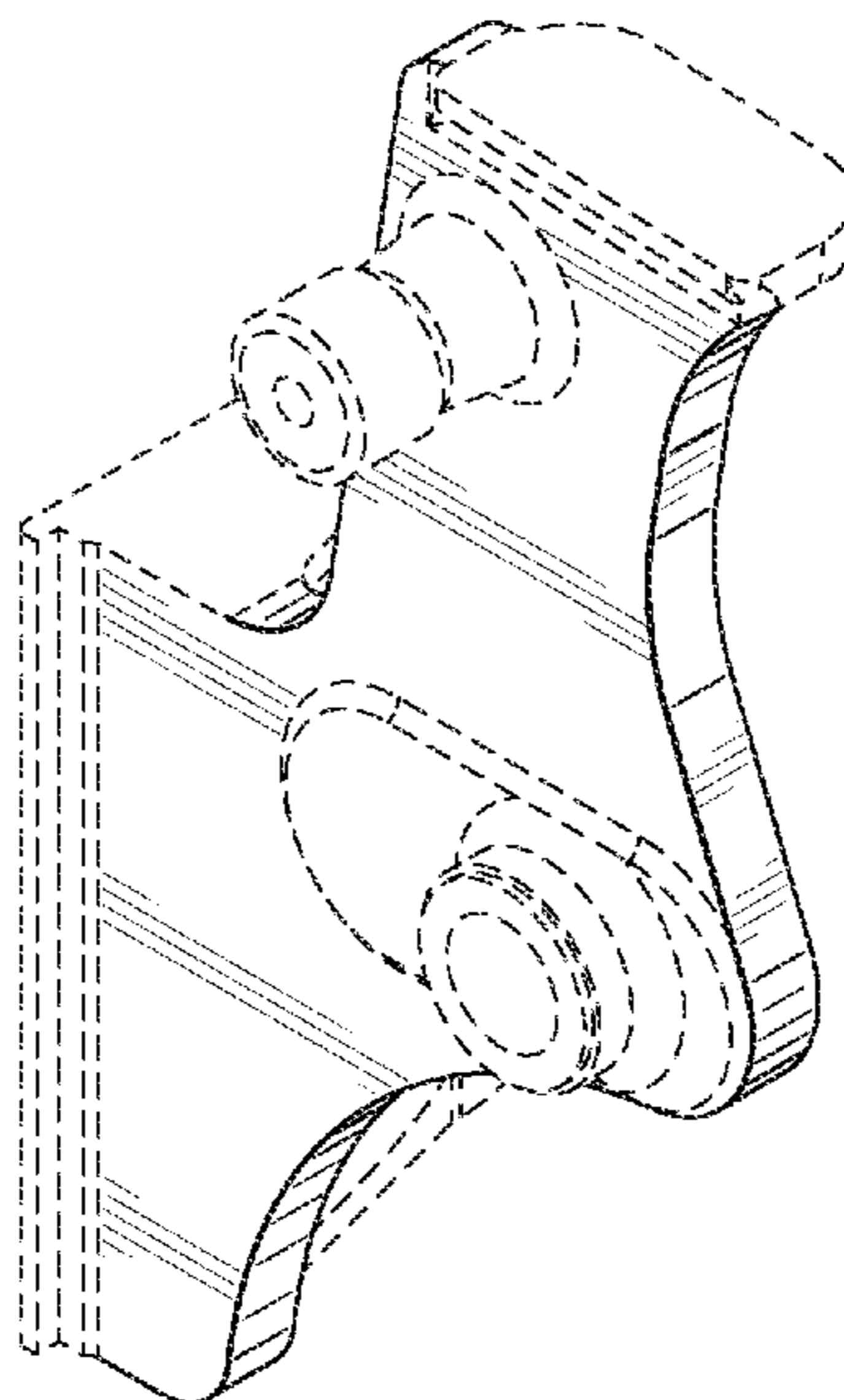
FOREIGN PATENT DOCUMENTS

DE 3735363 A1 6/1988
DE 10213811 A1 10/2003
(Continued)

FIG. 1 is a right front isometric view of a garage door cam according to one embodiment of this invention; FIG. 2 is a right rear isometric view thereof; FIG. 3 is a front view thereof; FIG. 4 is a rear view thereof; FIG. 5 is a right side view thereof; FIG. 6 is a left side view thereof; FIG. 7 is a top view thereof; FIG. 8 is a bottom view thereof; FIG. 9 is a right front isometric view of a garage door cam according to another embodiment of this invention; FIG. 10 is a right rear isometric view thereof; FIG. 11 is a front view thereof; FIG. 12 is a rear view thereof; FIG. 13 is a right side view thereof; FIG. 14 is a left side view thereof; FIG. 15 is a top view thereof; and, FIG. 16 is a bottom view thereof.

The dash-dash style of broken line showing of cam structure is included for the purpose of illustrating portions of the garage door cam and forms no part of the claimed design. The dash-dot-dash style of broken line in FIGS. 9, 10, and 15 is included for the purpose of illustrating the boundaries of the claim and forms no part of the claimed design.

1 Claim, 6 Drawing Sheets



(58) **Field of Classification Search**
 USPC D13/154, 133, 129, 199; D22/125;
 D25/119, 164, 199, 139, 141; D26/138,
 D26/76, 78, 79, 80
 CPC .. F16C 2314/72; F16C 29/0623; F16C 29/06;
 F16C 29/0609; F16C 29/005; F16C
 29/008; F16C 29/04; F16C 29/0657;
 F16C 29/004; F16C 29/12; A47B 1/10;
 A47B 88/493; A47B 88/423; A47B
 2088/4235; B44C 5/02
 See application file for complete search history.

(56) **References Cited**
 U.S. PATENT DOCUMENTS

1,033,115 A 7/1912 Mowry
 1,352,692 A 9/1920 Posson
 1,366,212 A * 1/1921 Pollard F16G 11/00
 24/129 B
 1,413,354 A 4/1922 Posson
 1,628,511 A 5/1927 Petersen
 1,743,696 A 1/1930 Vetterlein
 1,872,489 A 8/1932 Mitchell
 1,929,071 A 10/1933 Levy
 2,020,544 A 11/1935 Gill et al.
 2,237,800 A 4/1941 Webber
 2,672,192 A 3/1954 Goldner
 2,729,287 A 1/1956 Goldner
 2,897,886 A 8/1959 Pistelli
 3,000,437 A 9/1961 Bennett
 3,237,681 A 3/1966 Huse
 3,280,888 A 10/1966 Davis
 3,348,336 A 10/1967 Hashagen
 3,491,400 A 1/1970 Hubbard
 3,618,656 A 11/1971 Young
 3,738,413 A 6/1973 Frobosilo et al.
 3,842,891 A 10/1974 Kinnroth et al.
 4,068,699 A 1/1978 Tucker
 4,083,148 A 4/1978 Saucier
 4,139,042 A 2/1979 Watanabe et al.
 4,303,117 A 12/1981 Lindbergh
 4,379,478 A 4/1983 Lichy
 4,460,030 A 7/1984 Tsunemura et al.
 4,538,661 A 9/1985 Henry et al.
 4,603,723 A 8/1986 Sugihara
 4,662,420 A 5/1987 Hirao
 4,787,119 A 11/1988 Furuya
 4,838,331 A 6/1989 Kasai
 4,853,531 A 8/1989 Rejc
 5,022,454 A 6/1991 Kobayashi et al.
 5,065,806 A 11/1991 Kondoh
 5,072,766 A 12/1991 Kondoh et al.
 5,133,398 A 7/1992 Yang et al.
 5,172,742 A 12/1992 Iwasaki et al.
 D336,023 S * 6/1993 Alpers D8/40

5,291,686 A 3/1994 Sears et al.
 5,685,355 A 11/1997 Cook et al.
 5,893,403 A 4/1999 Megens
 6,279,640 B1 8/2001 Van Lennep
 6,311,757 B1 11/2001 Schuette et al.
 6,339,905 B1 1/2002 Craig
 6,655,088 B1 12/2003 Hormann
 D616,290 S * 5/2010 Sullivan D6/556
 7,798,198 B2 9/2010 Rejc et al.
 7,913,739 B2 3/2011 Rejc et al.
 7,918,263 B2 4/2011 Kraeutler
 7,950,438 B2 5/2011 Albert
 D649,792 S * 12/2011 Nosworthy D6/315
 8,079,399 B2 12/2011 Rejc
 8,316,915 B2 11/2012 Drifka et al.
 8,327,908 B2 12/2012 Godovalov
 8,360,132 B2 1/2013 Drifka
 8,371,356 B2 2/2013 Manser
 8,468,751 B2 6/2013 Williams
 8,684,064 B2 4/2014 Frede
 8,869,450 B2 10/2014 Balay et al.
 8,899,297 B2 12/2014 Mazej et al.
 9,097,053 B2 8/2015 Drifka
 D760,580 S * 7/2016 Pace D8/382
 D764,258 S * 8/2016 Miller D8/356
 D801,788 S * 11/2017 Dershem D8/367
 D801,895 S * 11/2017 Bowyer D12/180
 D814,276 S * 4/2018 Ressler D8/382
 D834,931 S * 12/2018 Ressler D8/382
 2006/0016566 A1 1/2006 Kalempa et al.
 2006/0175027 A1 8/2006 Langenbach
 2010/0024177 A1* 2/2010 Hayes F16B 45/00
 24/588.1
 2010/0032105 A1 2/2010 Drifka
 2010/0307058 A1 12/2010 Sanke et al.
 2010/0319605 A1* 12/2010 Petrenko G09F 17/00
 116/173
 2011/0005138 A1 1/2011 Drifka et al.
 2011/0023364 A1 2/2011 Euteneuer et al.
 2011/0240234 A1 10/2011 Jans
 2013/0112357 A1 5/2013 Gontarski et al.
 2013/0133263 A1 5/2013 Drifka
 2013/0152471 A1 6/2013 Drifka et al.
 2014/0290878 A1 10/2014 Balay et al.
 2016/0066658 A1* 3/2016 Breen F16G 11/103
 24/130

FOREIGN PATENT DOCUMENTS

DE 10236648 A1 2/2004
 DE 102015100623 B3 5/2016
 EP 0232866 A2 8/1987
 EP 0367852 A1 5/1990
 EP 1233138 A1 8/2002
 EP 2557264 A2 2/2013
 SI 1948898 T1 4/2010

* cited by examiner

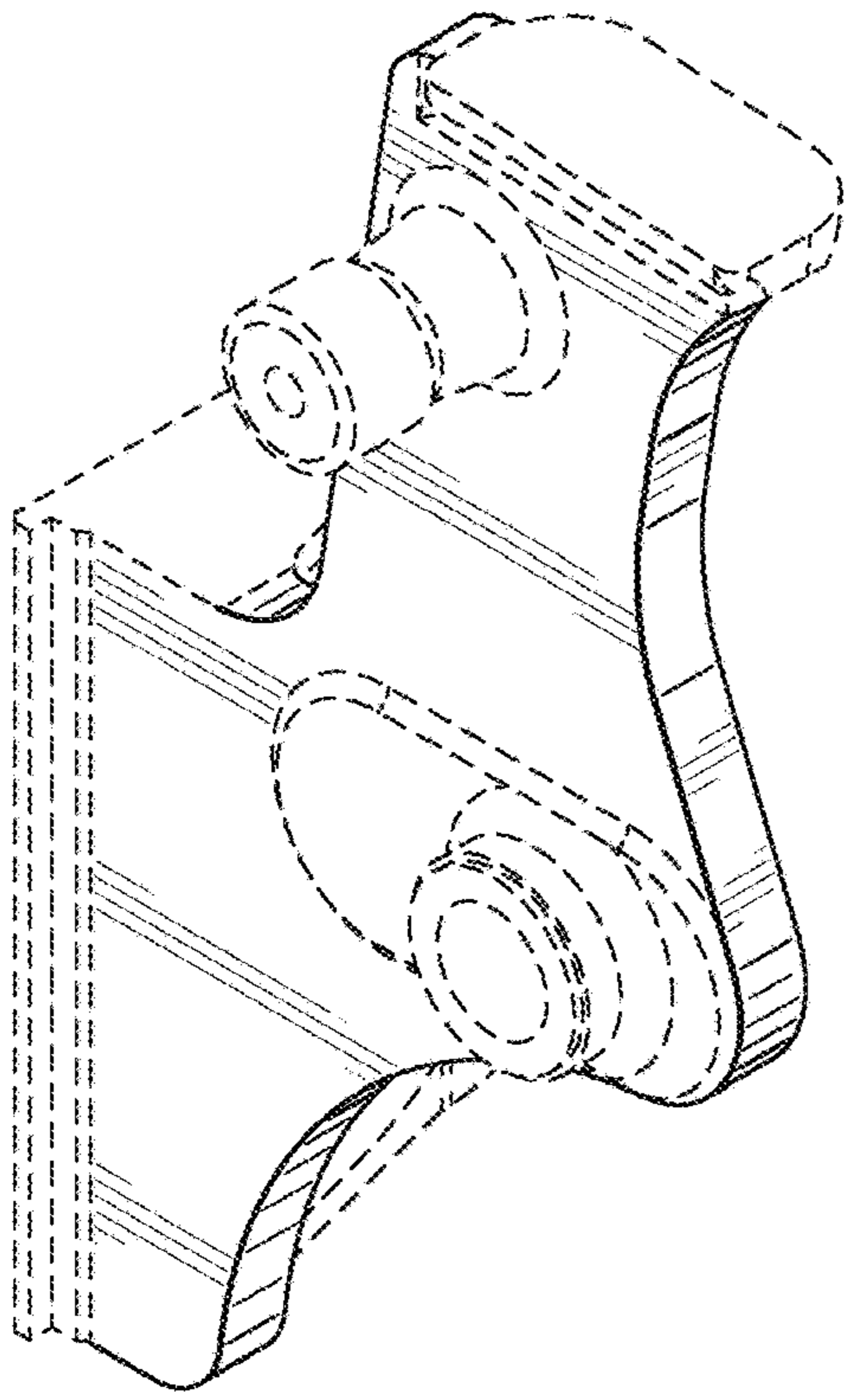


FIG. 1

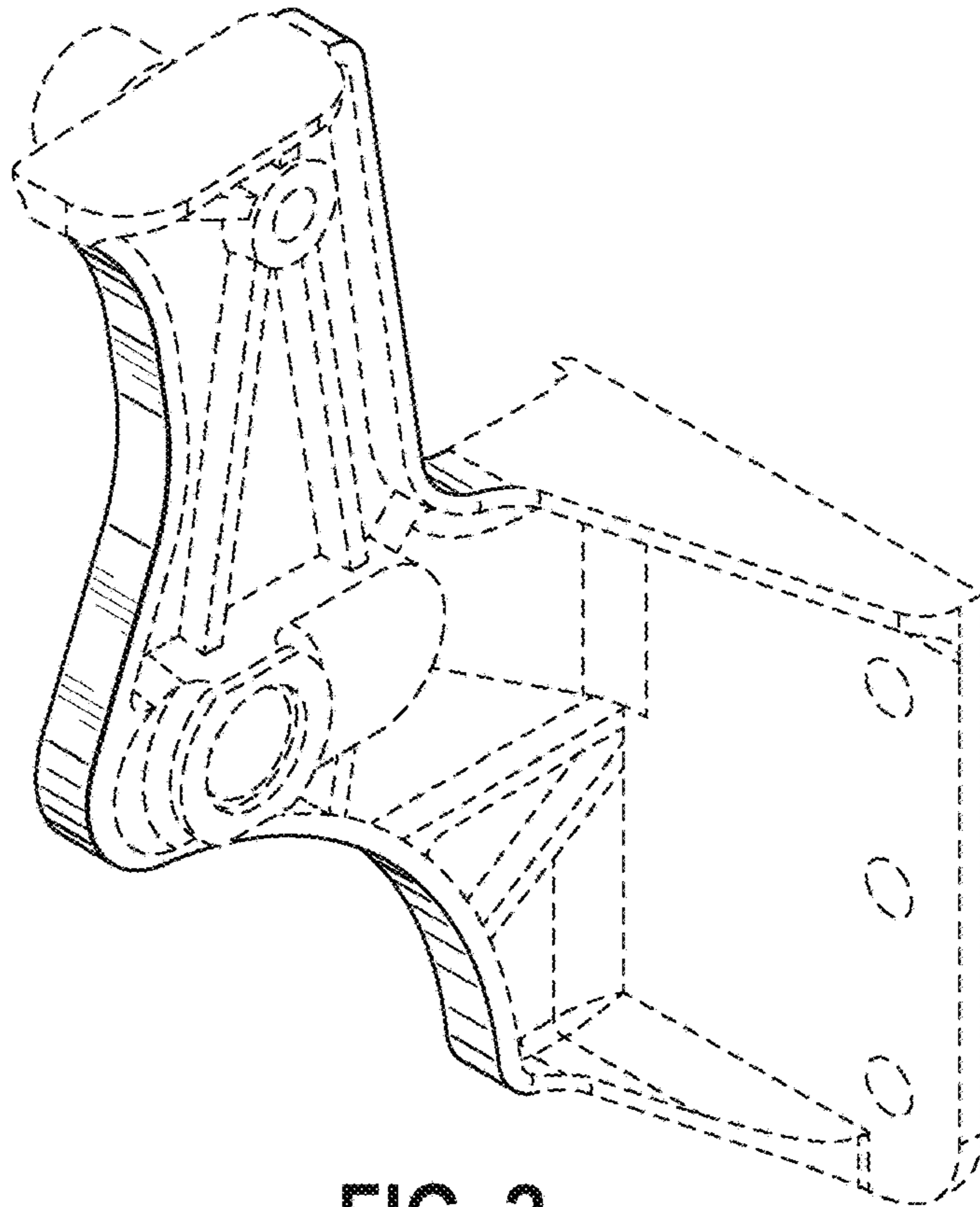


FIG. 2

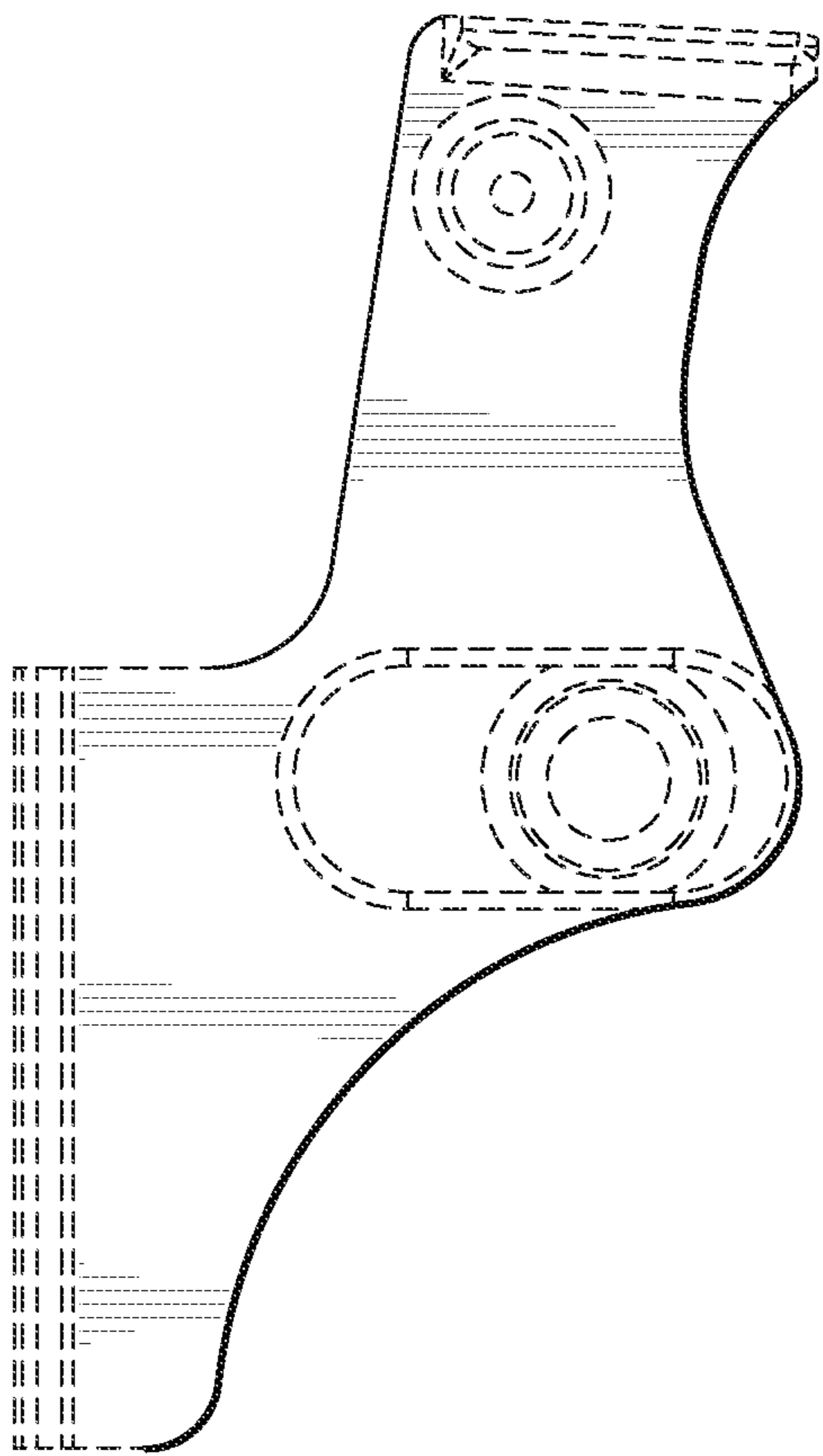


FIG. 3

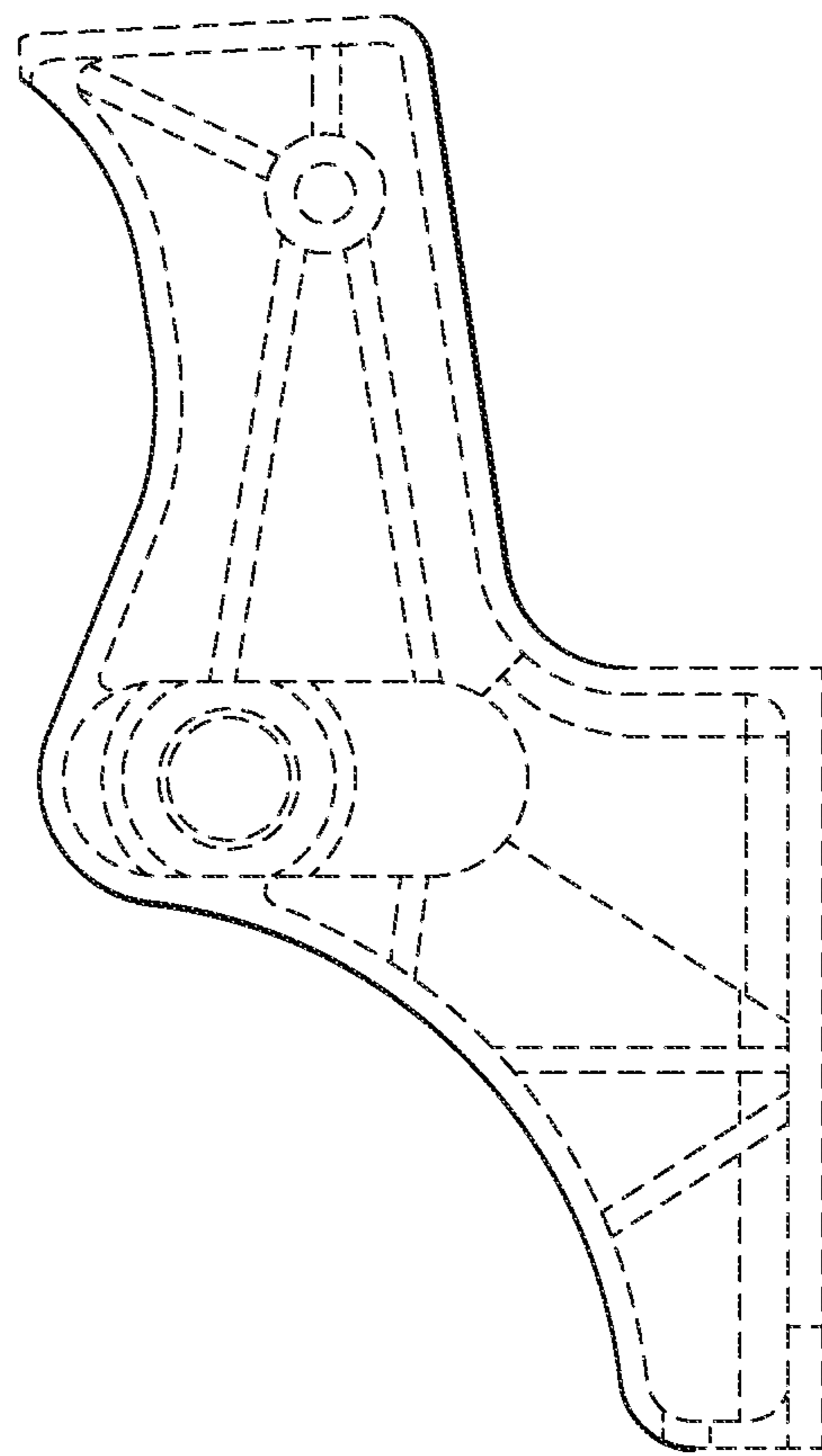


FIG. 4

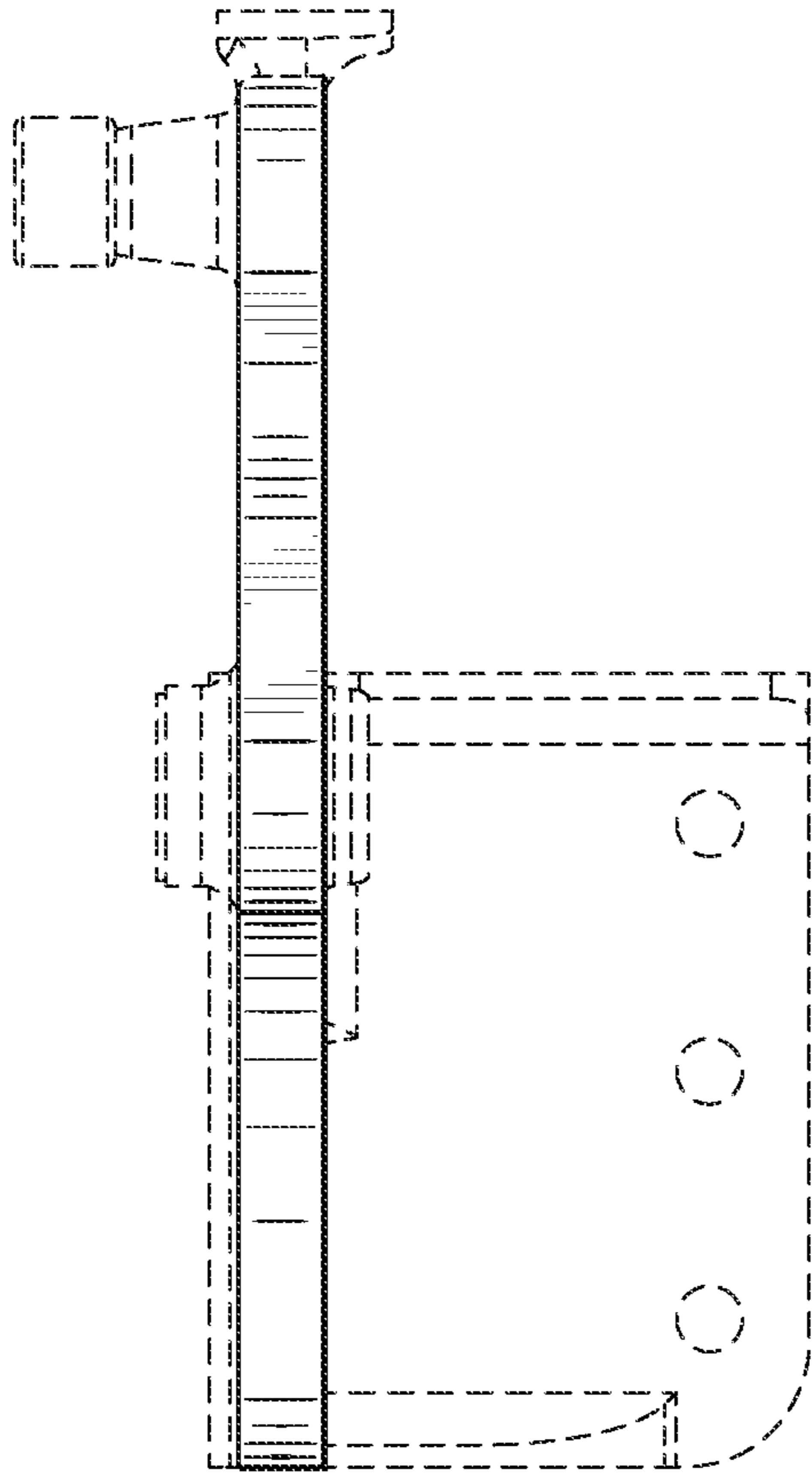


FIG. 5

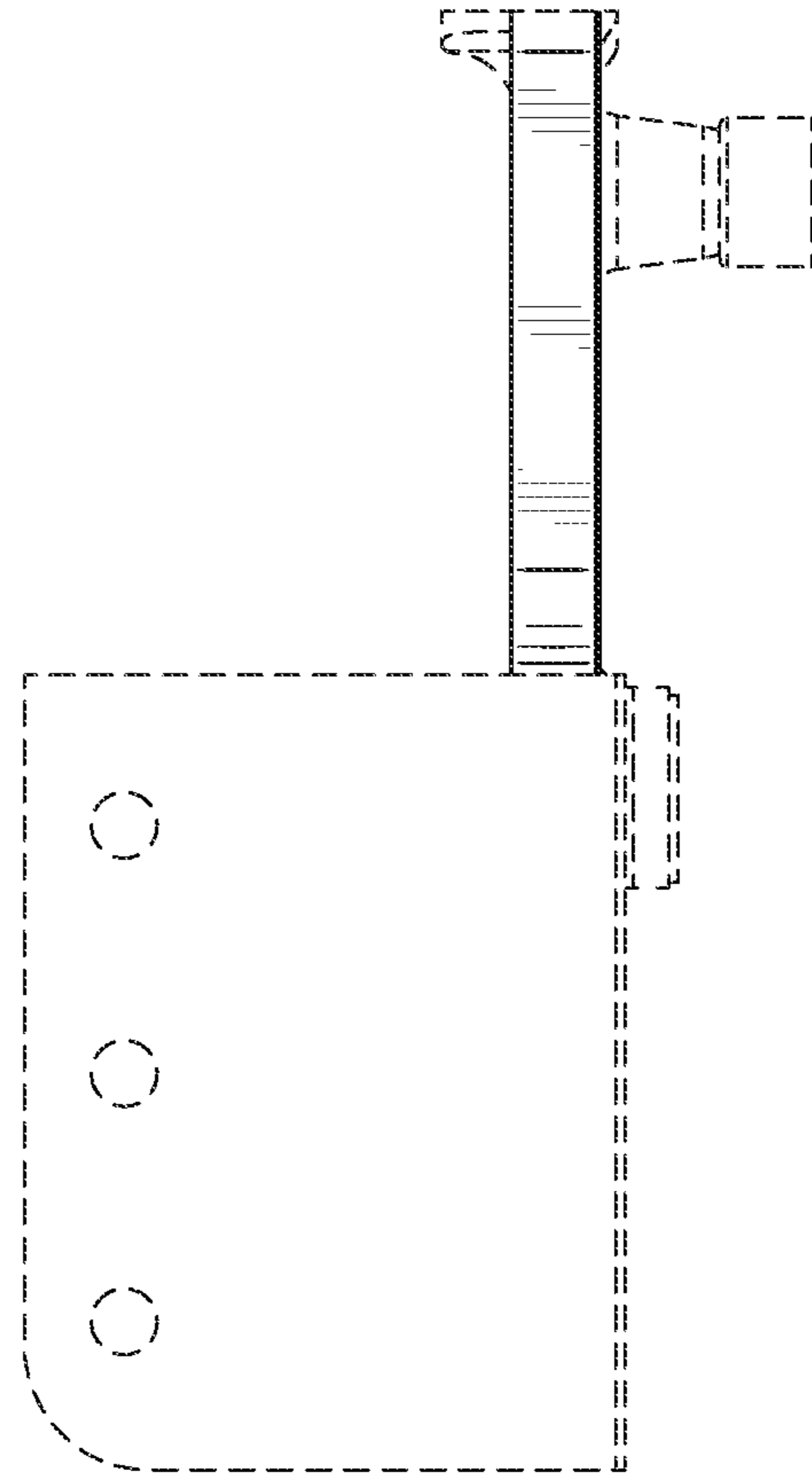


FIG. 6

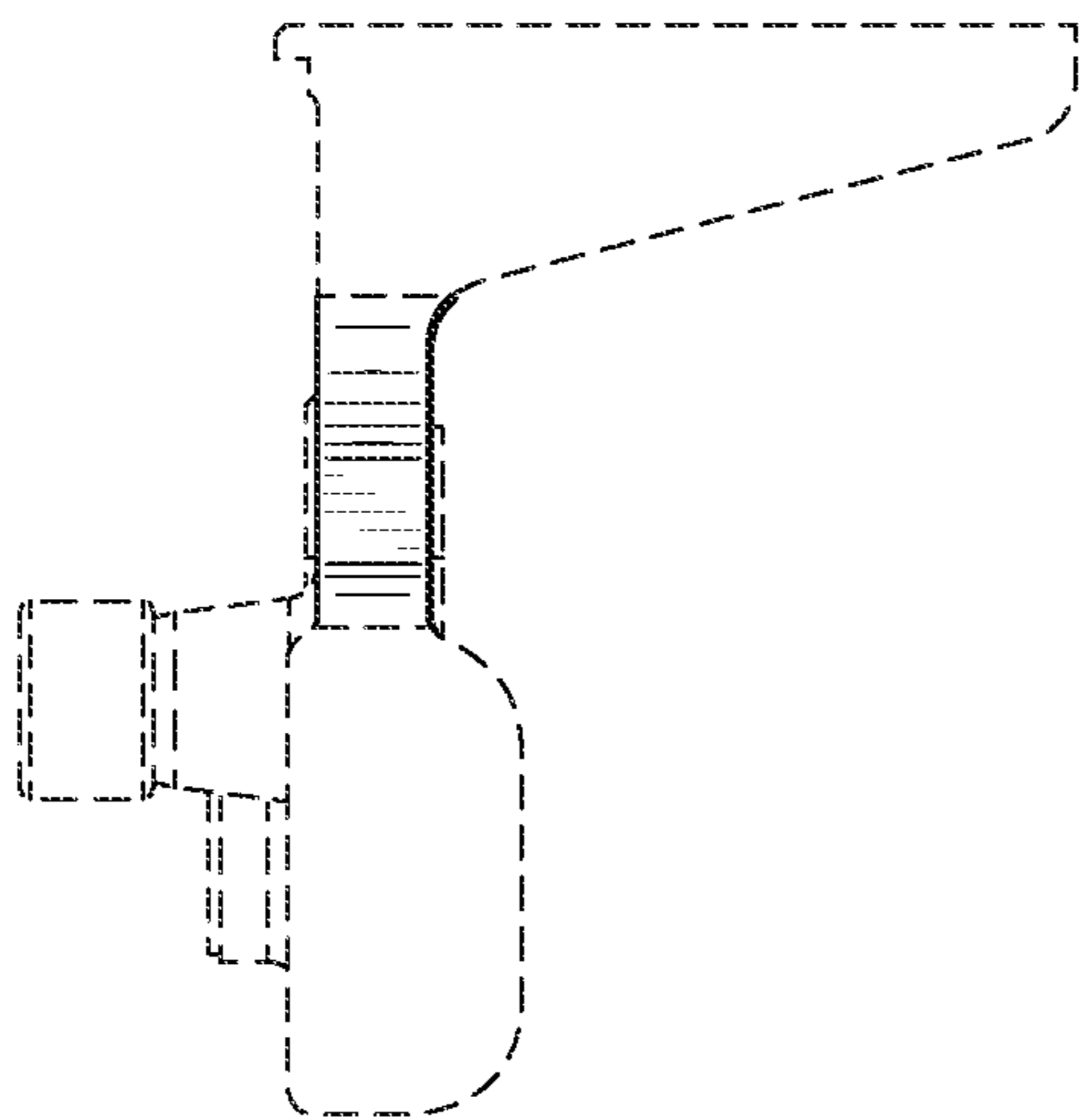


FIG. 7

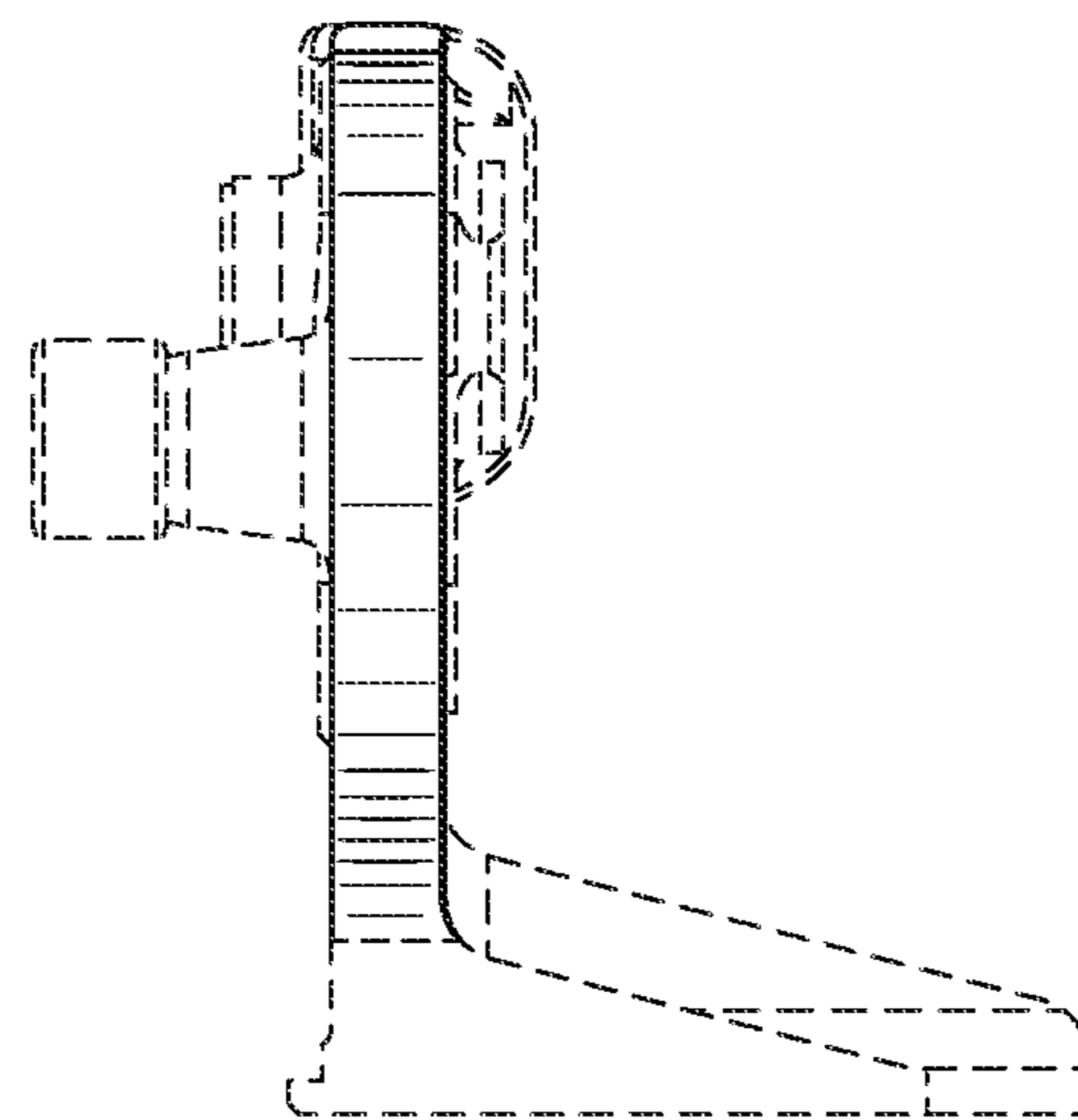


FIG. 8

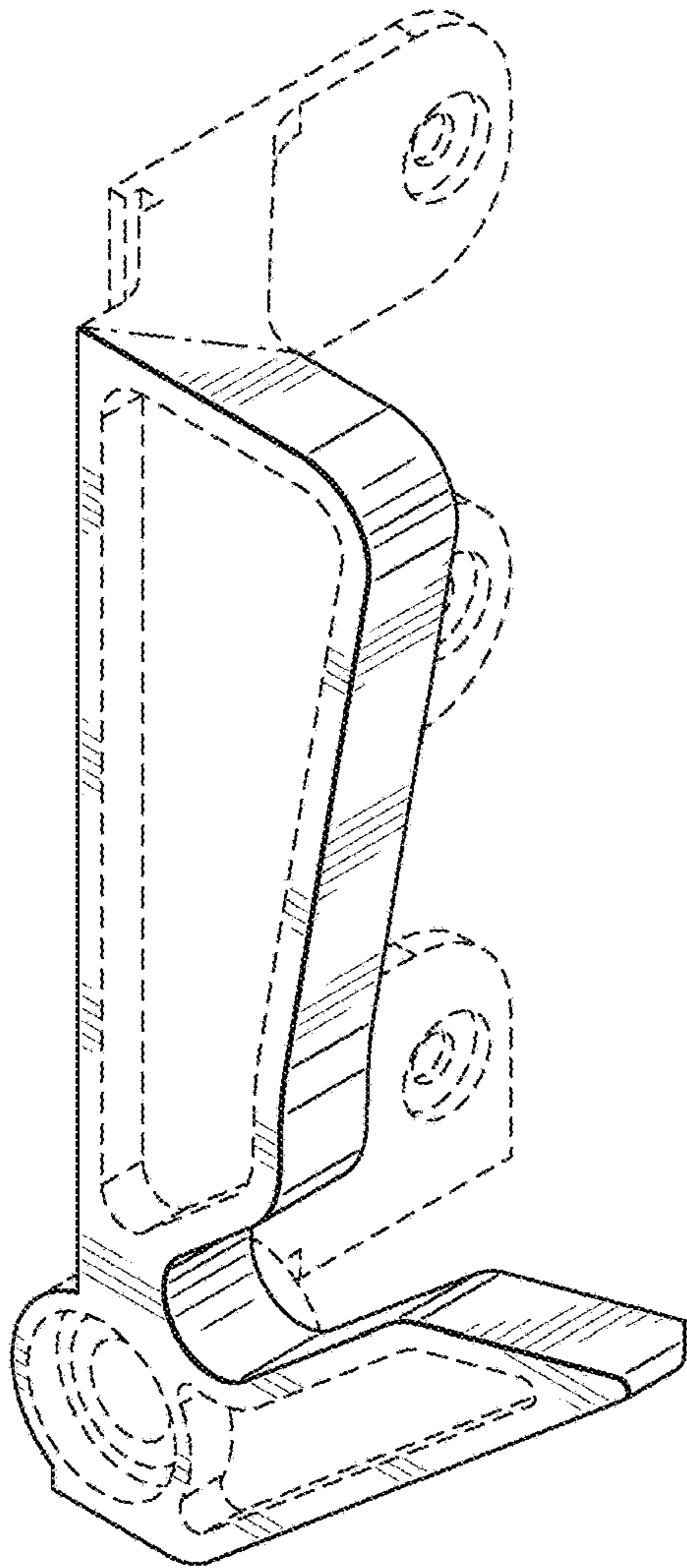


FIG. 9

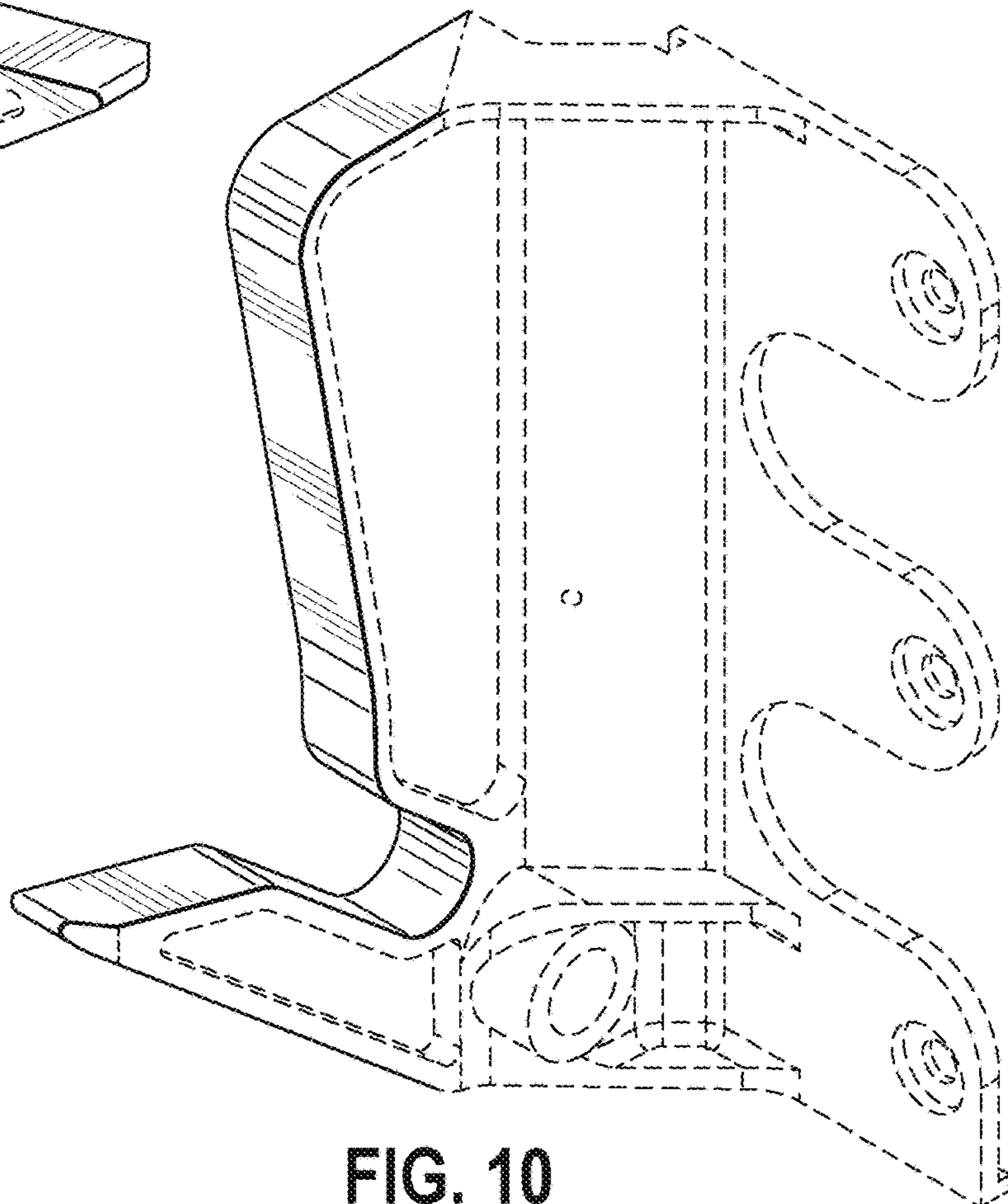


FIG. 10

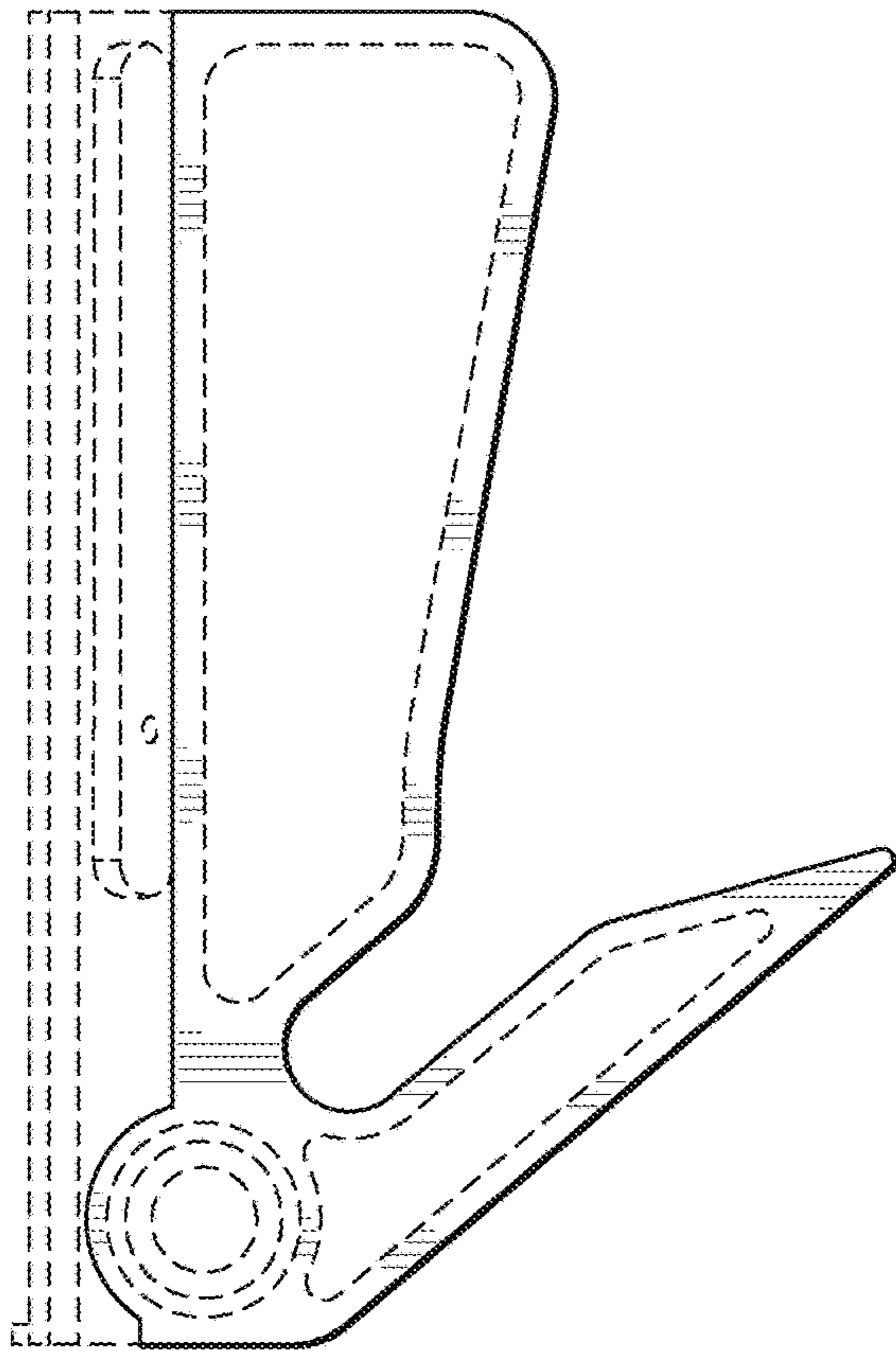


FIG. 11

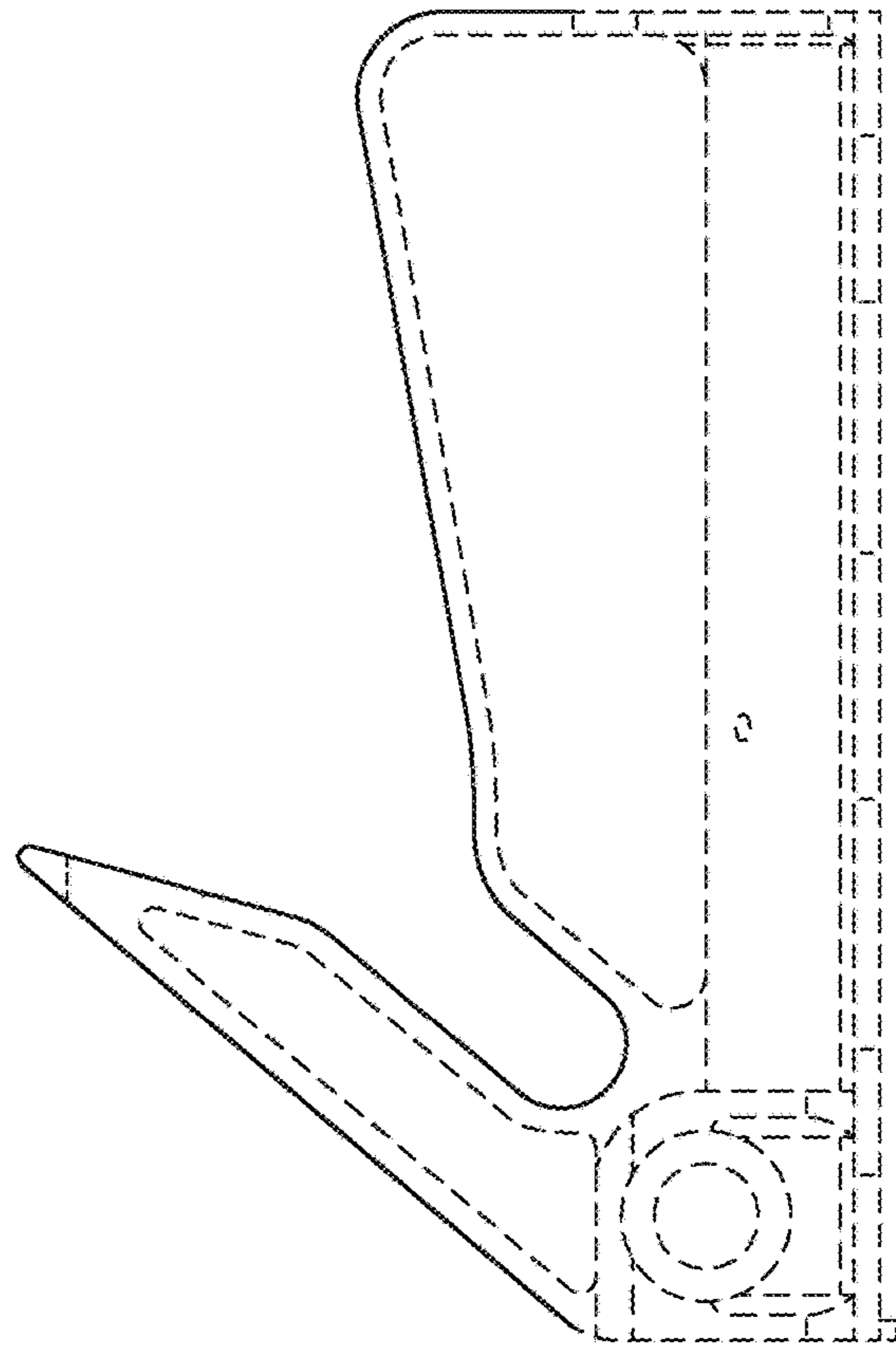


FIG. 12

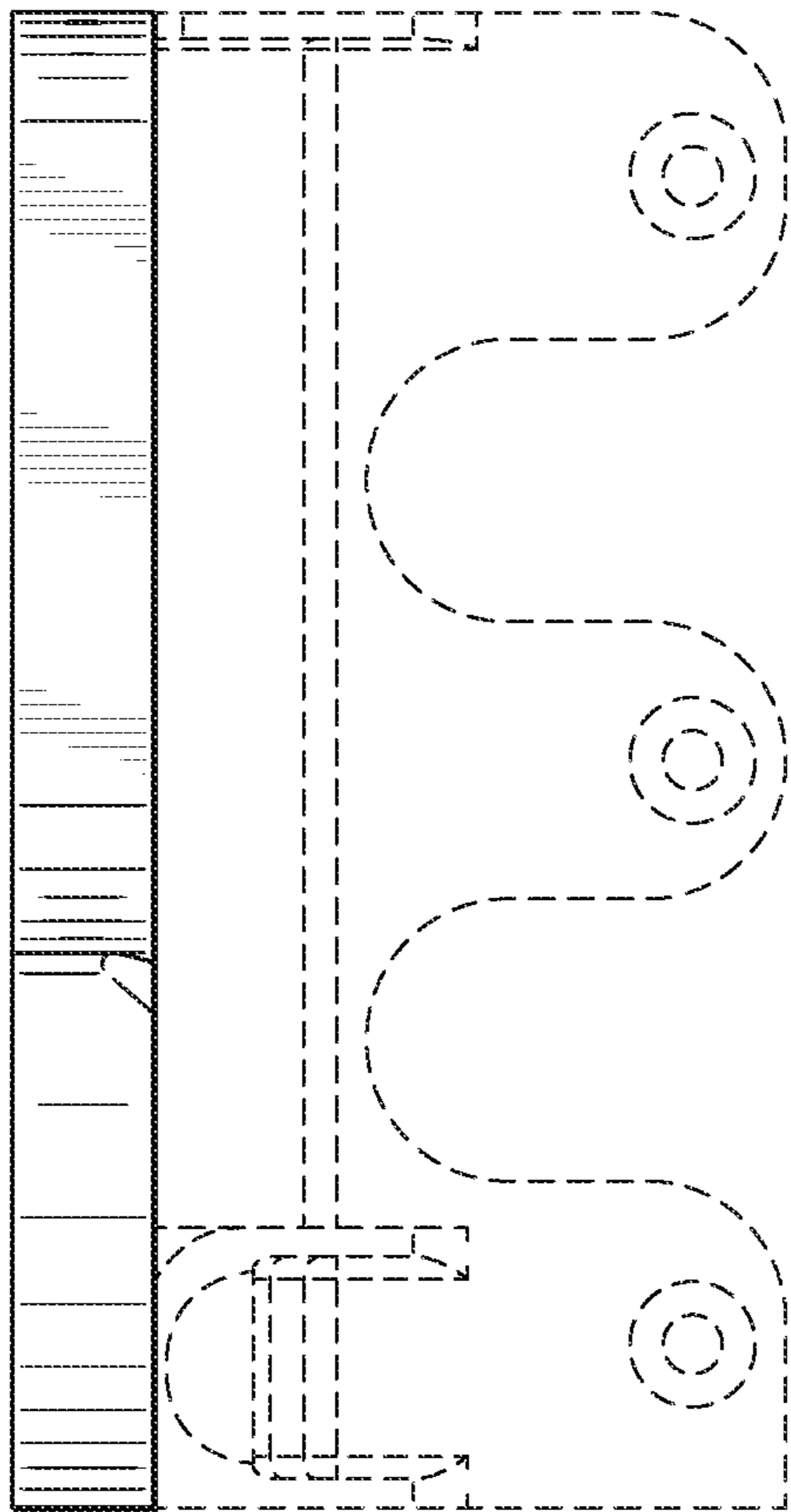


FIG. 13

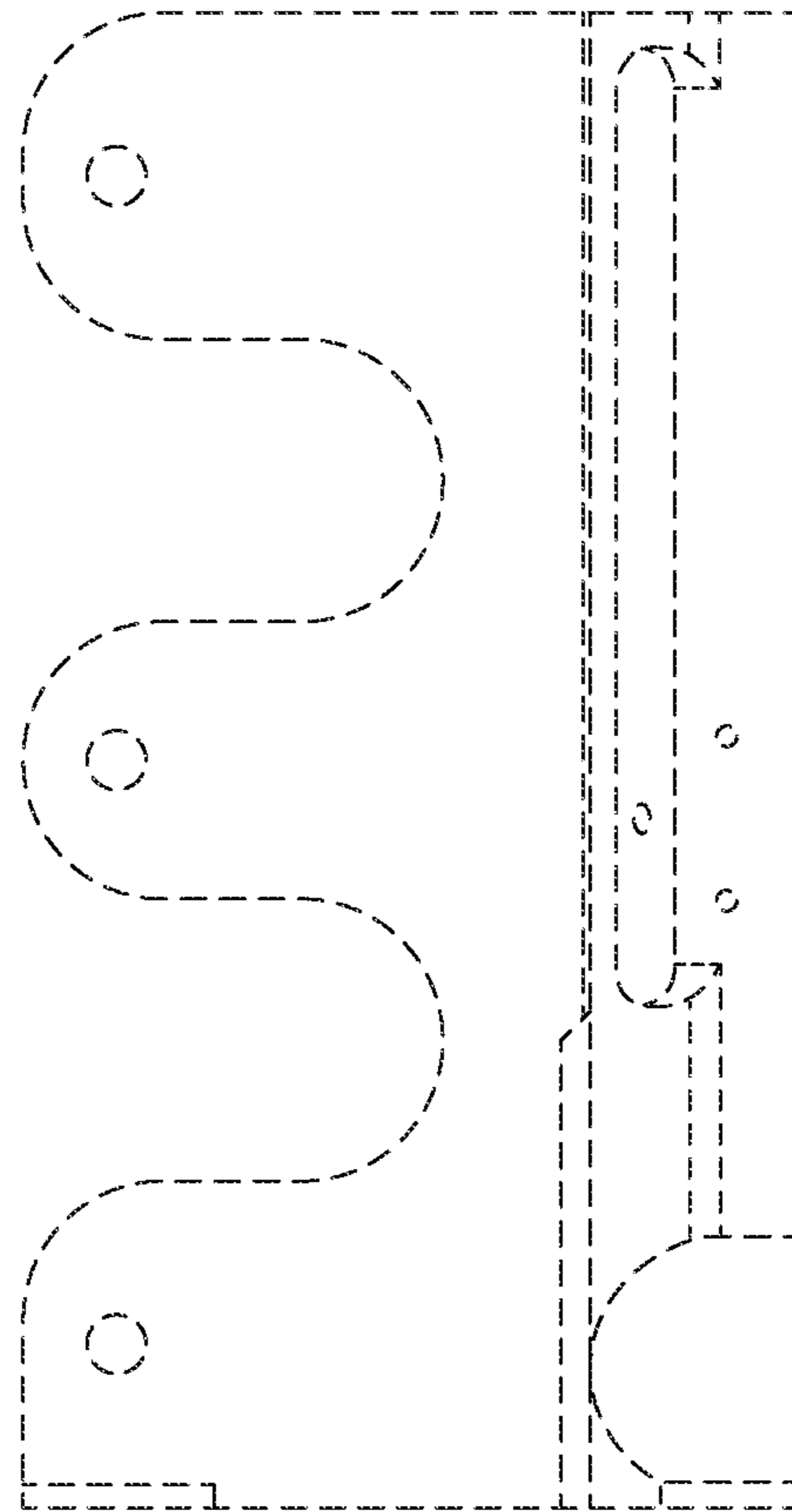


FIG. 14

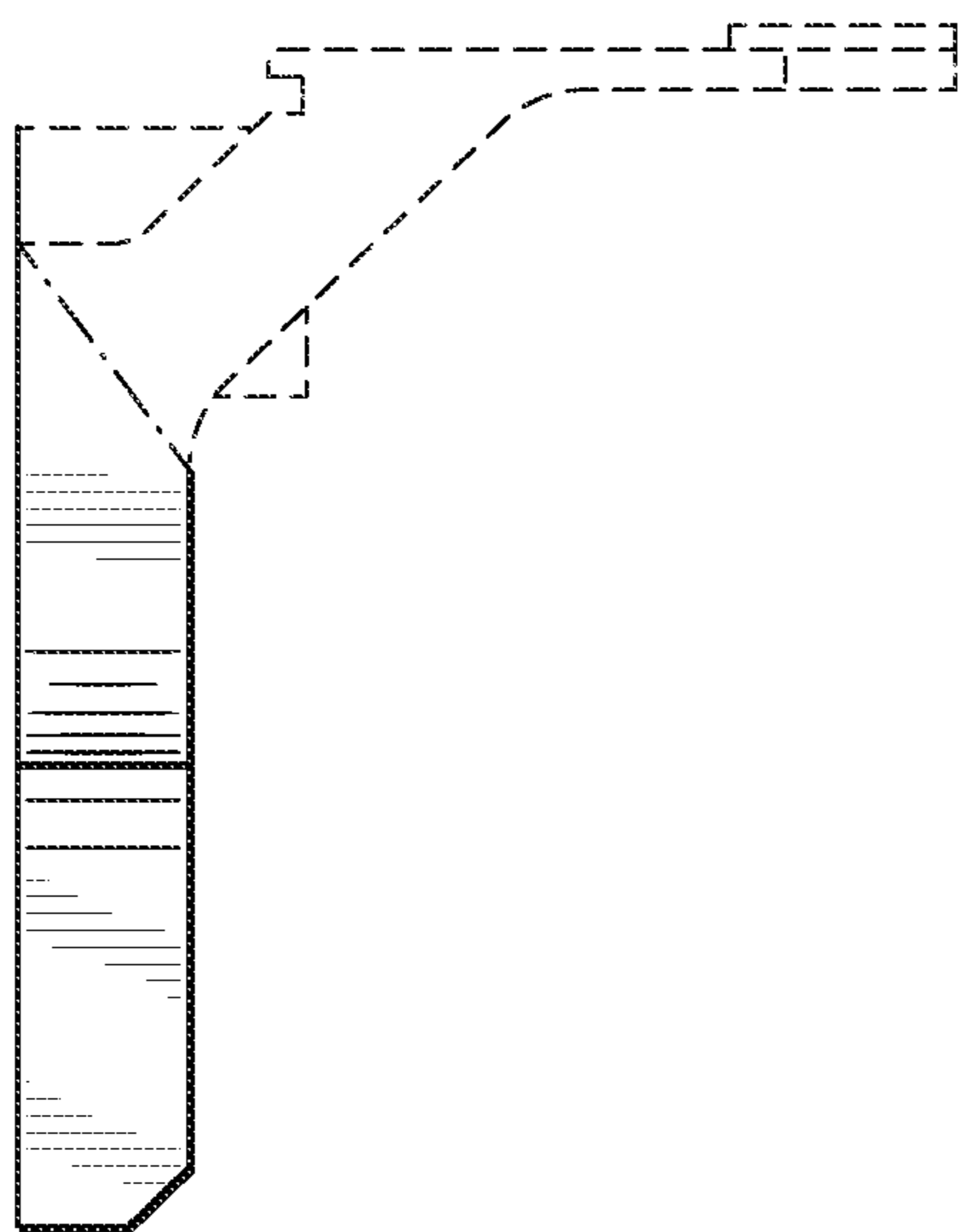


FIG. 15

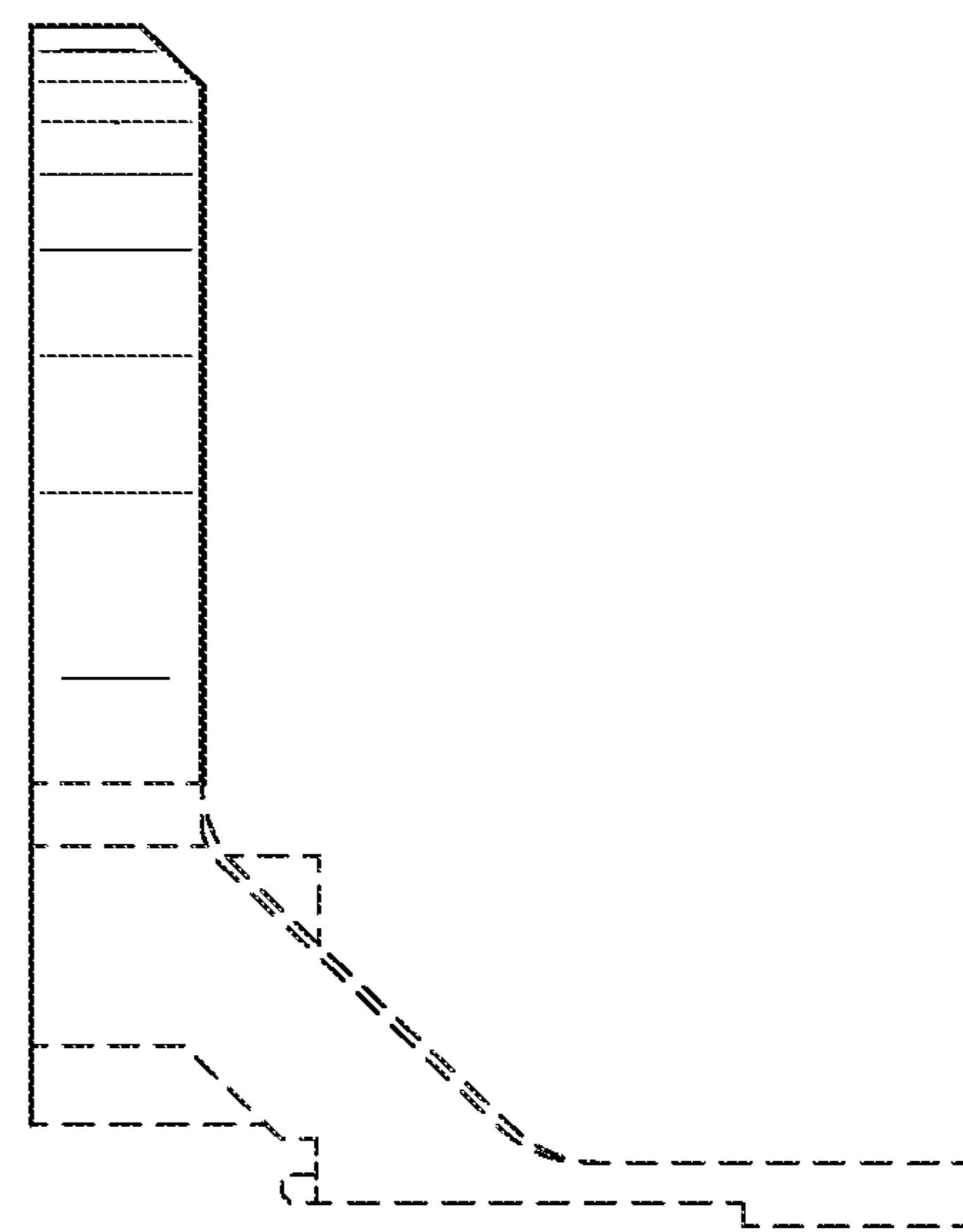


FIG. 16