



US00D896615S

(12) **United States Design Patent**
Bhanpurawala et al.

(10) **Patent No.:** **US D896,615 S**

(45) **Date of Patent:** **** Sep. 22, 2020**

(54) **PROTECTION CASE FOR A PADLOCK**

6,684,668 B1 * 2/2004 Hsueh Lee E05B 67/02
70/312

(71) Applicant: **LOTO SAFETY PRODUCTS DMCC,**
Dubai (AE)

D527,614 S * 9/2006 St. James D8/335
D537,704 S * 3/2007 Van Handel D8/334

(72) Inventors: **Yusufi Fakhruddin Bhanpurawala,**
Dubai (AE); **Lai Qiyang,** Dubai (AE);
Qaid Zohar Zakiuddin Shahpurwala,
Dubai (AE)

7,325,425 B1 * 2/2008 Miller E05B 67/38
340/541

D640,911 S * 7/2011 Yang D8/346
9,926,726 B1 * 3/2018 Santosa E05B 67/04

* cited by examiner

(73) Assignee: **LOTO SAFETY PRODUCTS DMCC,**
Dubai (AE)

Primary Examiner — Doris Clark

(74) *Attorney, Agent, or Firm* — Patterson Thuent
Pedersen, PA

(**) Term: **15 Years**

(57) **CLAIM**

(21) Appl. No.: **29/653,383**

We claim the ornamental design for protection case for a
padlock, as shown.

(22) Filed: **Jun. 14, 2018**

DESCRIPTION

(30) **Foreign Application Priority Data**

Dec. 14, 2017 (IN) 300363

(51) **LOC (12) Cl.** **08-07**

(52) **U.S. Cl.**
USPC **D8/346**

(58) **Field of Classification Search**
USPC D8/346
CPC E05B 2067/025; E05B 67/04; E05B 67/02
See application file for complete search history.

FIG. 1 is a perspective view of a protection case for a
padlock.

FIG. 2 is a perspective view of the protection case for a
padlock depicted in FIG. 1.

FIG. 3 is a front view of the protection case for a padlock
depicted in FIG. 1.

FIG. 4 is a rear view of the protection case for a padlock
depicted in FIG. 1.

FIG. 5 is a top view of the protection case for a padlock
depicted in FIG. 1.

FIG. 6 is a bottom view of the protection case for a padlock
depicted in FIG. 1.

FIG. 7 is a right view of the protection case for a padlock
depicted in FIG. 1; and,

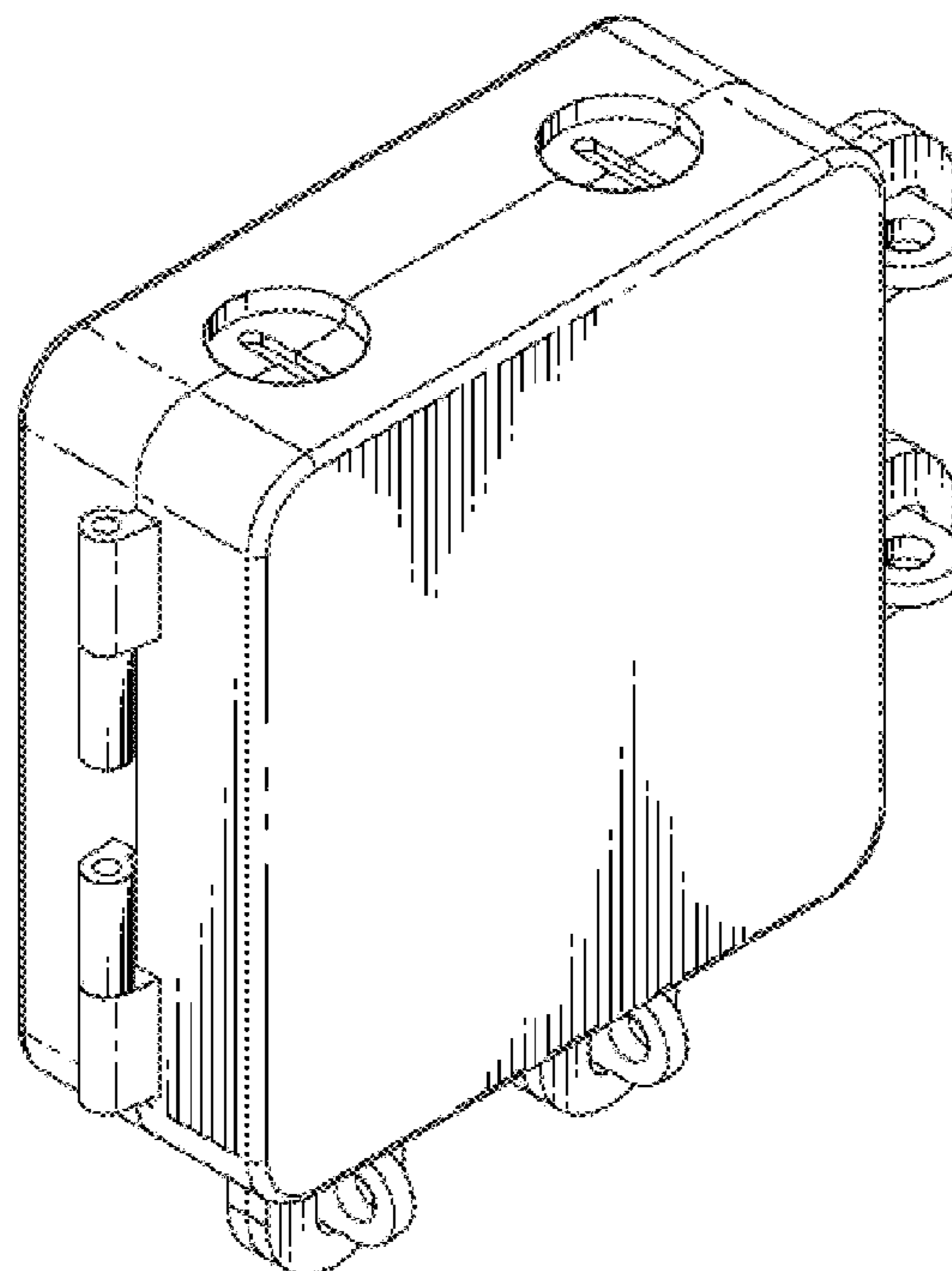
FIG. 8 is a left view of the protection case for a padlock
depicted in FIG. 1.

(56) **References Cited**

U.S. PATENT DOCUMENTS

D318,008 S * 7/1991 Appelbaum D8/346
D325,158 S * 4/1992 Lebrecht D8/346
D398,513 S * 9/1998 Turner D8/346
D454,051 S * 3/2002 Drake D8/346

1 Claim, 6 Drawing Sheets



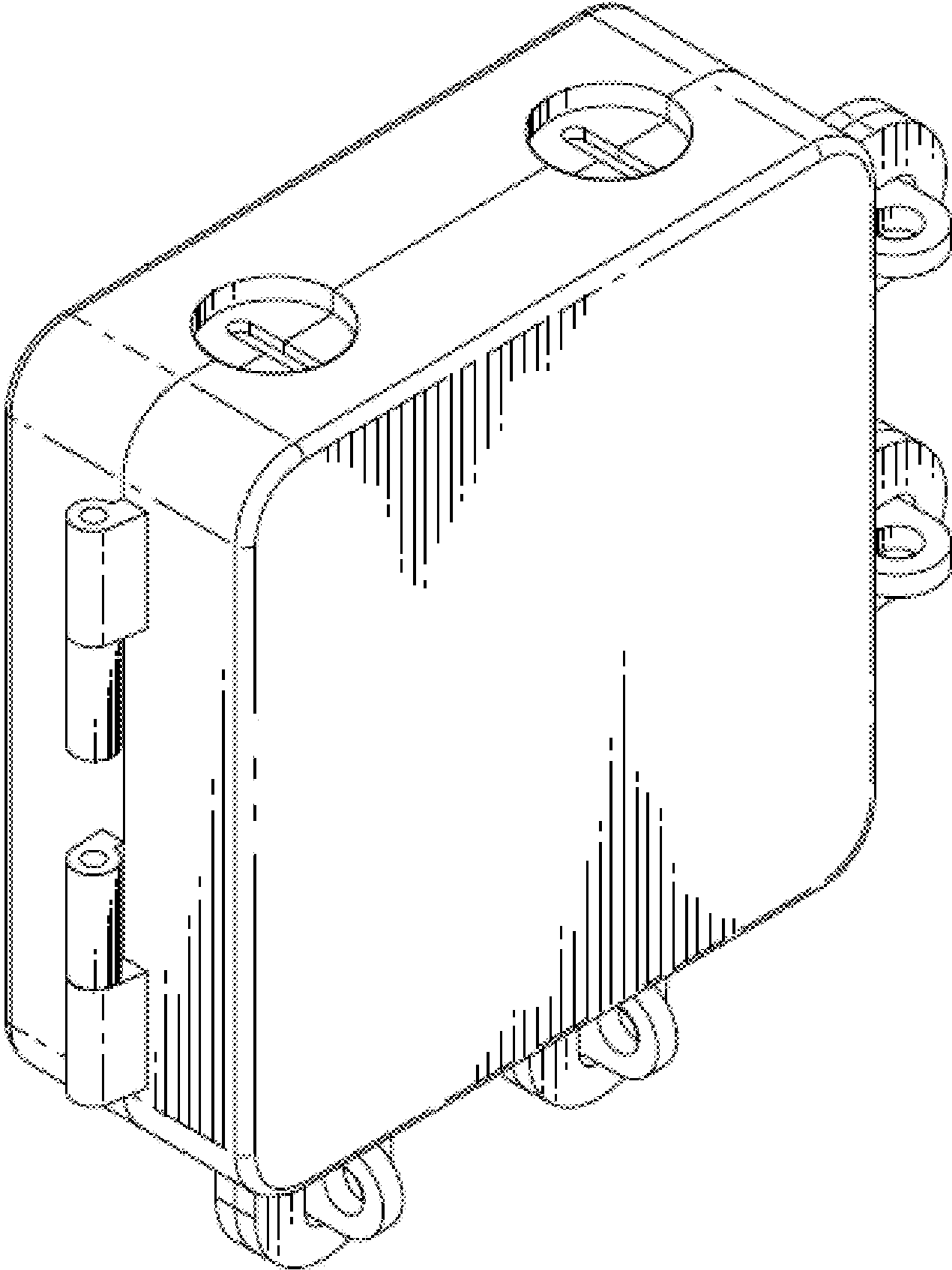


FIG. 1

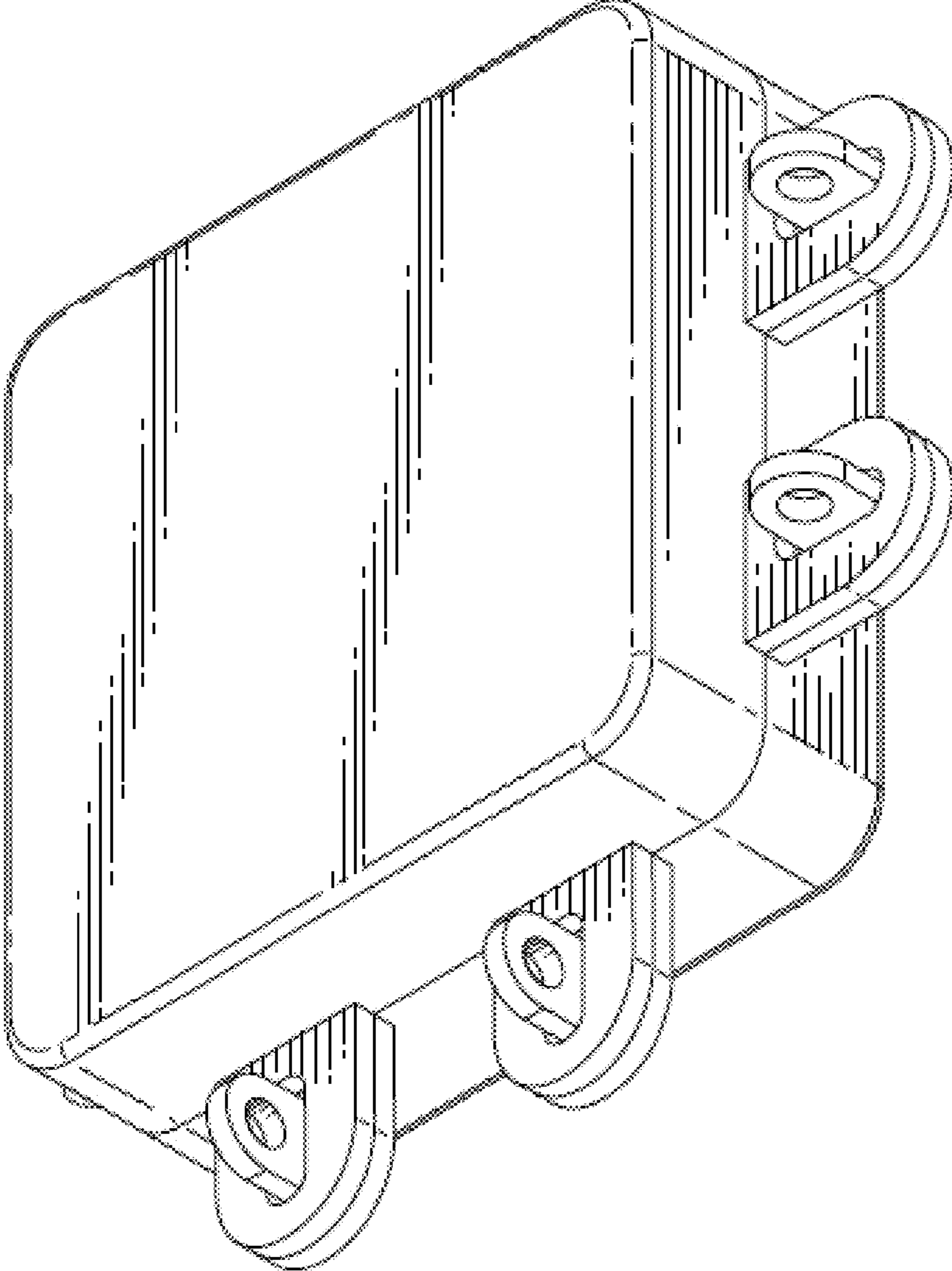


FIG. 2

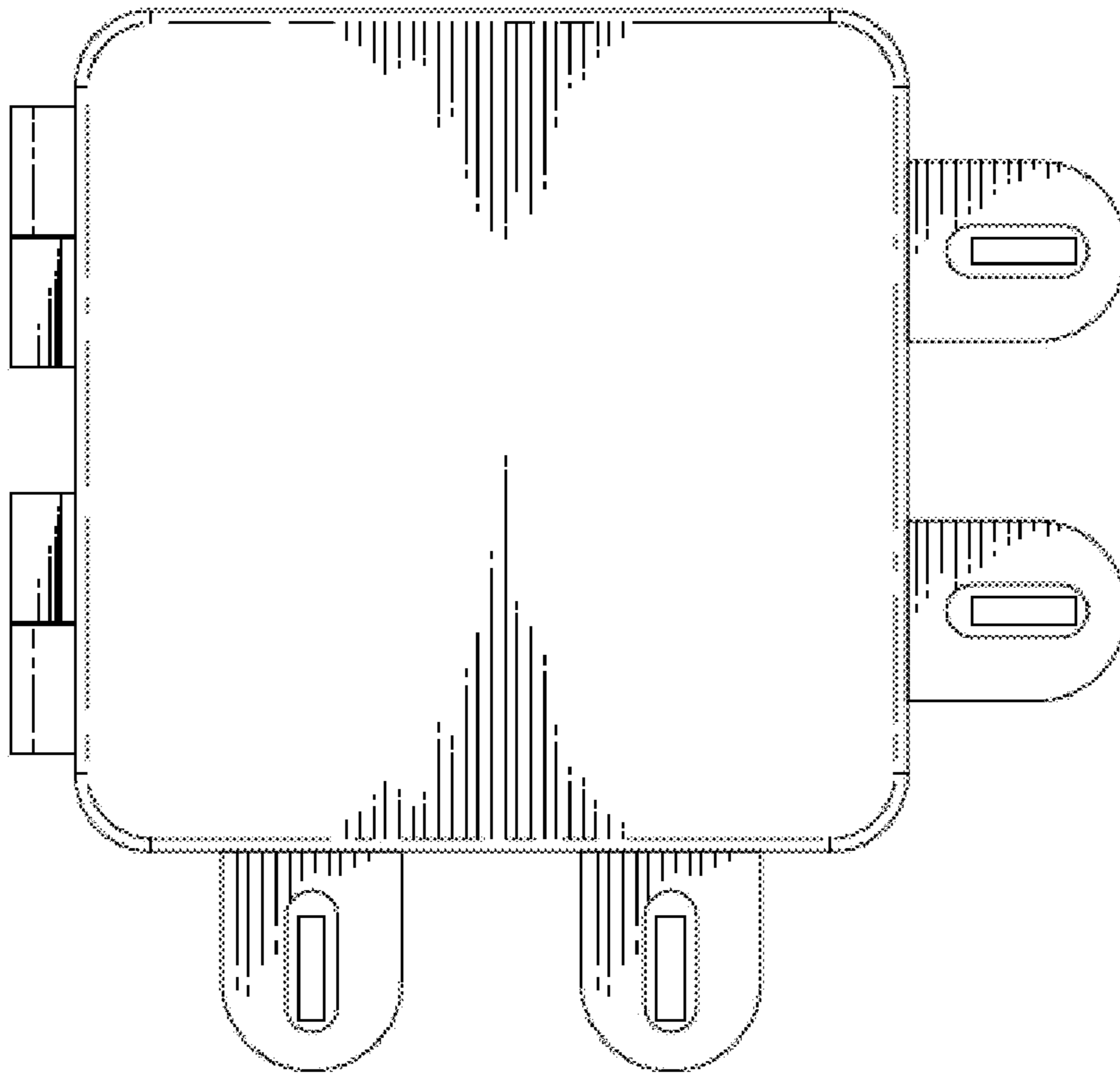


FIG. 3

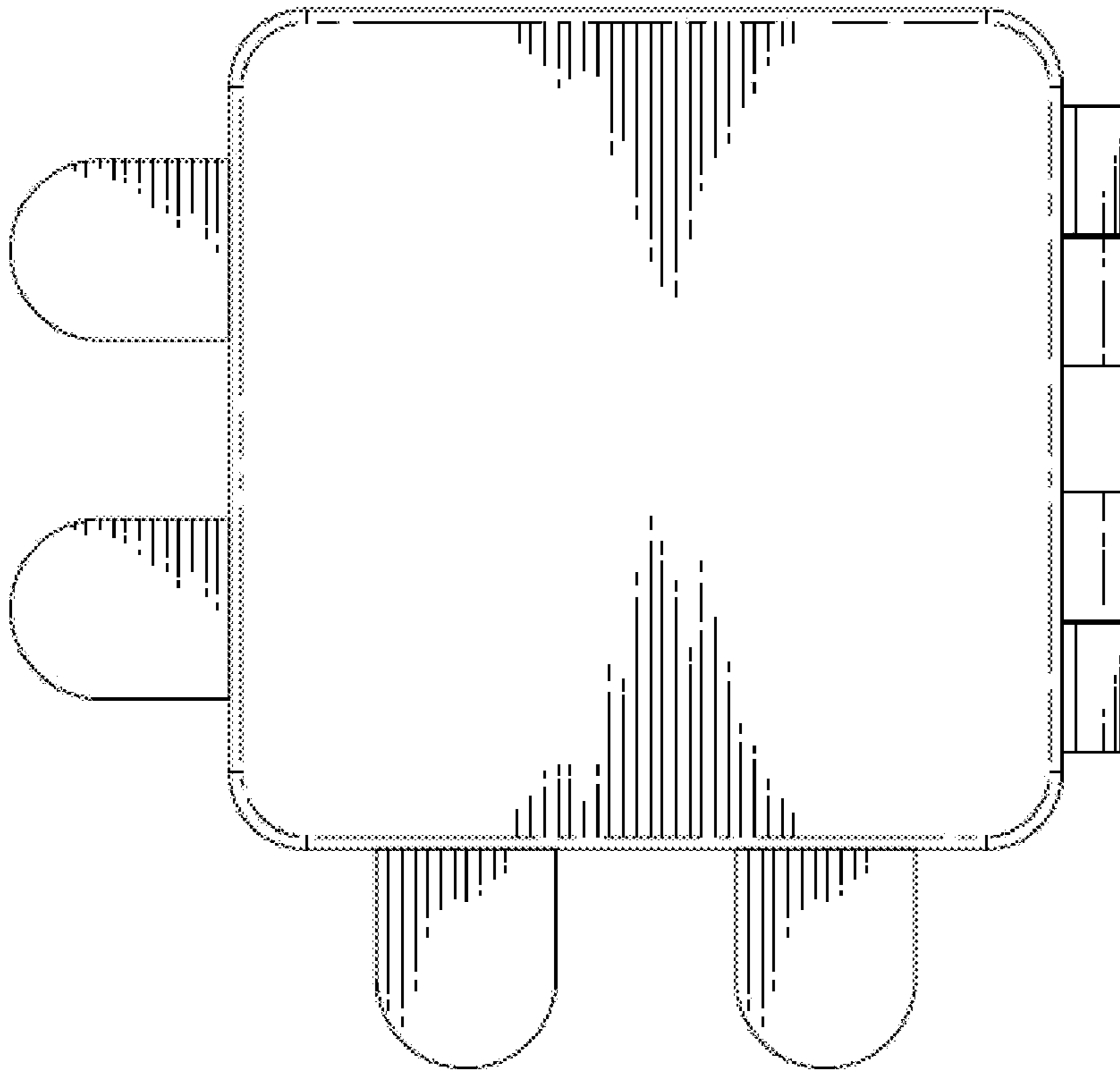


FIG. 4

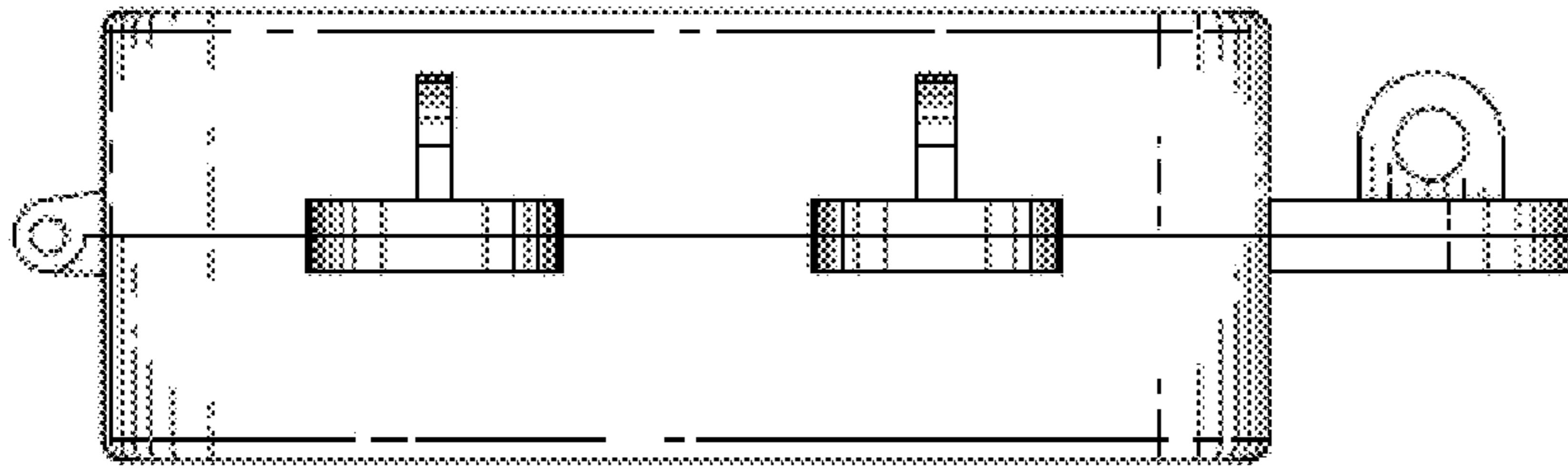


FIG. 5

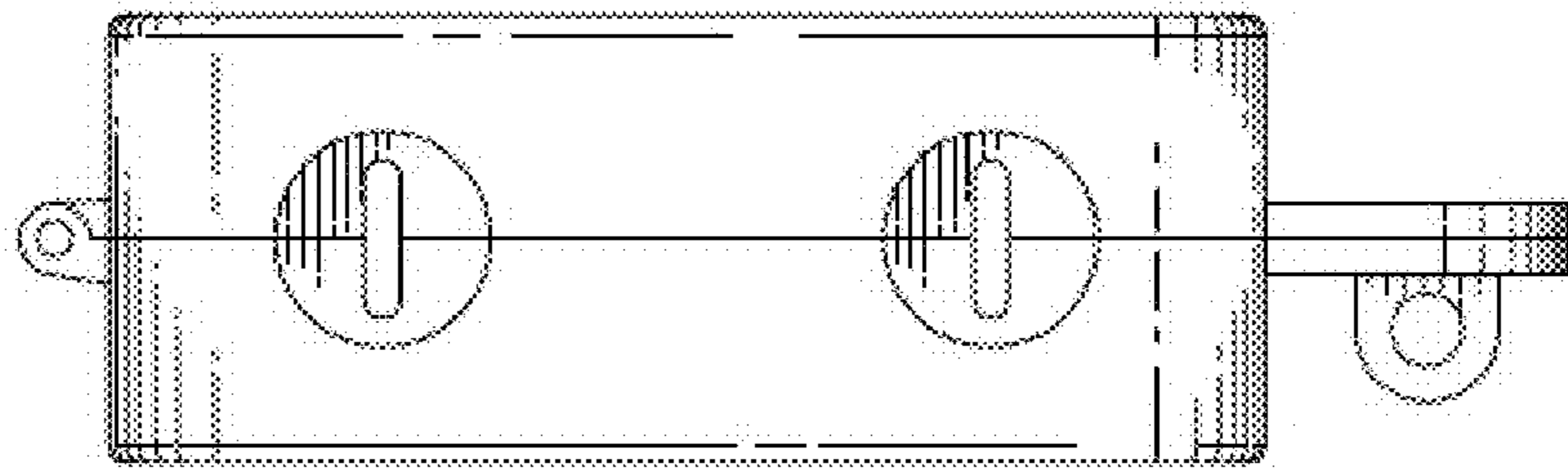


FIG. 6

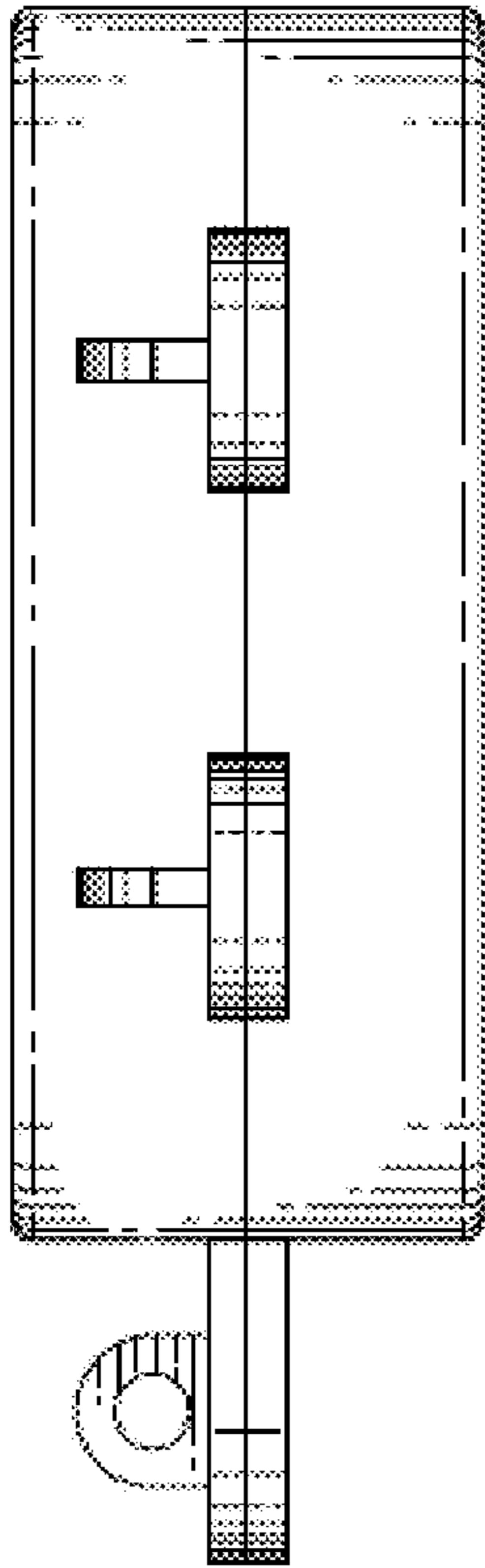


FIG. 7

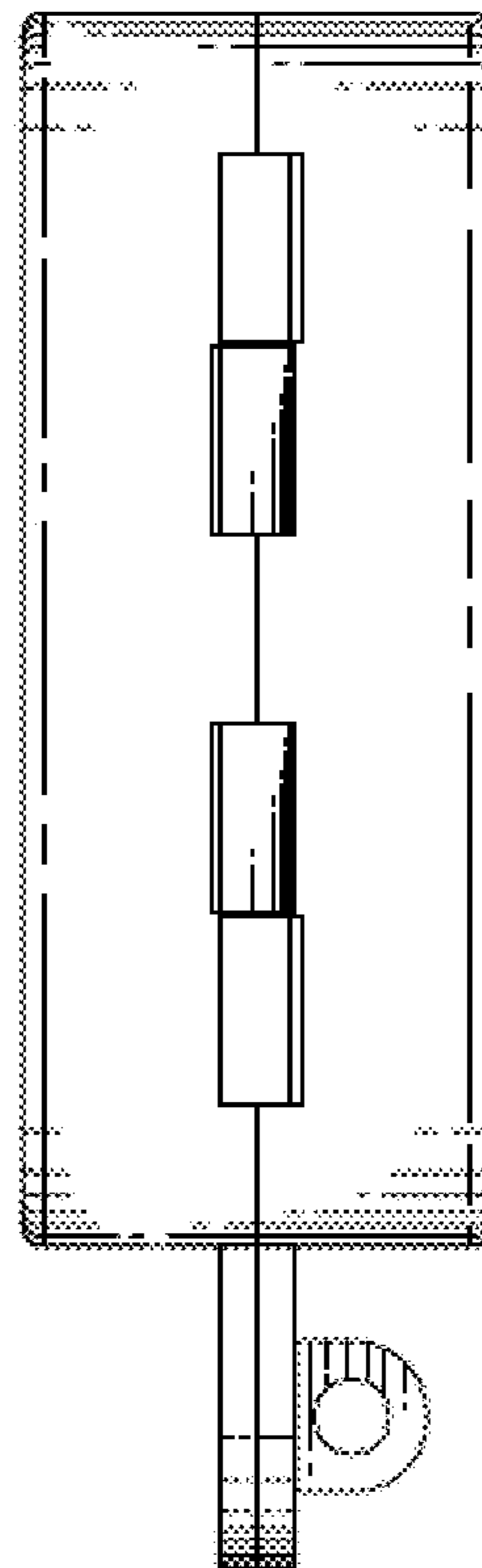


FIG. 8