

US00D896614S

(12) **United States Design Patent** (10) **Patent No.:** **US D896,614 S**  
**Liao** (45) **Date of Patent:** **\*\* Sep. 22, 2020**

(54) **DOOR LOCK**  
(71) Applicant: **BRAINCHILD ELECTRONIC CO., LTD.**, Taipei (TW)  
(72) Inventor: **Shu-Chun Liao**, Taipei (TW)  
(73) Assignee: **BRAINCHILD ELECTRONIC CO., LTD.**, Taipei (TW)  
(\*\*) Term: **15 Years**  
(21) Appl. No.: **29/680,773**  
(22) Filed: **Feb. 20, 2019**  
(51) **LOC (12) Cl.** ..... **08-07**  
(52) **U.S. Cl.**  
USPC ..... **D8/331**  
(58) **Field of Classification Search**  
USPC ..... D8/330, 331, 336, 338, 339, 341, 342, D8/343, 344, 346  
CPC ... E05B 9/00; E05B 9/002; E05B 9/02; E05B 9/08; E05B 43/00; E05B 45/00; E05B 45/06; E05B 47/00; E05B 55/00; E05B 63/00; Y10T 70/5155; Y10T 70/5199; Y10T 70/5212; Y10T 70/5221; Y10T 70/7062

See application file for complete search history.

(56) **References Cited**

U.S. PATENT DOCUMENTS

D393,793 S \* 4/1998 Blanch ..... D8/341  
D396,628 S \* 8/1998 Blanch ..... D8/341  
D471,786 S \* 3/2003 Ellis ..... D8/350  
6,564,600 B1 \* 5/2003 Davis ..... E05B 47/0669  
70/277  
6,612,141 B2 \* 9/2003 Bates ..... E05B 47/0607  
70/257  
D513,469 S \* 1/2006 Gao ..... D8/350  
D553,949 S \* 10/2007 Luo ..... D8/338  
D558,026 S \* 12/2007 Luo ..... D8/338  
D588,439 S \* 3/2009 Lin ..... D8/330  
D592,936 S \* 5/2009 Douglas ..... D8/330  
D597,821 S \* 8/2009 Nunez ..... D8/330

D639,135 S \* 6/2011 Doucet ..... D8/330  
8,141,400 B2 \* 3/2012 Sorensen ..... E05B 47/068  
340/5.54  
D677,145 S \* 3/2013 Hsieh ..... D8/330  
D679,986 S \* 4/2013 Hsieh ..... D8/330  
D682,656 S \* 5/2013 Cramer ..... D8/331  
D682,659 S \* 5/2013 Genord ..... D8/330  
D683,205 S \* 5/2013 Cramer ..... D8/331  
8,869,574 B2 \* 10/2014 Schmidt-Lackner .....  
E05B 17/147  
292/244  
8,931,315 B2 \* 1/2015 Frolov ..... G07C 9/00174  
70/279.1  
D722,260 S \* 2/2015 Warmenhoven ..... D8/330  
D733,522 S \* 7/2015 Kim ..... D8/331

(Continued)

OTHER PUBLICATIONS

August Smart Lock, Door Hardware & Locks, amazon.com, Date first available Dec. 10, 2018, [https://www.amazon.com/August-Smart-Connect-Satin-Nickel/dp/B07H43TNNF/ref=sr\\_1\\_5?keywords=smart+lock&qid=1584559155&refinements=p\\_76%3A2661625011&rps=1&sr=8-5.\\*](https://www.amazon.com/August-Smart-Connect-Satin-Nickel/dp/B07H43TNNF/ref=sr_1_5?keywords=smart+lock&qid=1584559155&refinements=p_76%3A2661625011&rps=1&sr=8-5.*)

Primary Examiner — Steven J Czyz

(74) Attorney, Agent, or Firm — Chun-Ming Shih; HDLS IPR Services

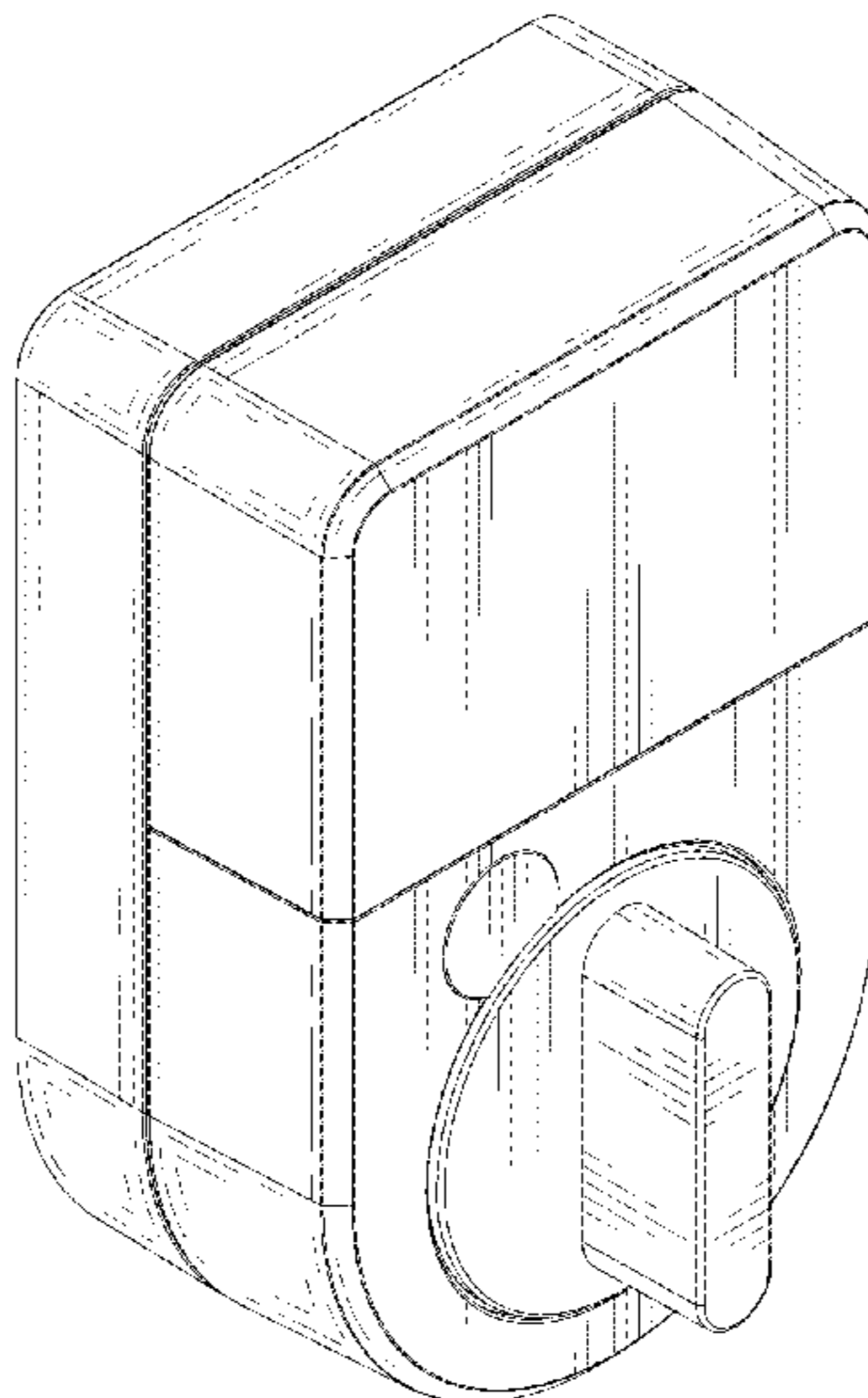
(57) **CLAIM**

The ornamental design for a door lock, as shown and described.

**DESCRIPTION**

FIG. 1 is a perspective view of a door lock showing my new design;  
FIG. 2 is a front view thereof;  
FIG. 3 is a rear view thereof;  
FIG. 4 is a left side view thereof;  
FIG. 5 is a right side view thereof;  
FIG. 6 is a top view thereof; and,  
FIG. 7 is a bottom view thereof.

**1 Claim, 7 Drawing Sheets**



(56)

References Cited

U.S. PATENT DOCUMENTS

D736,590 S *	8/2015	Roberts, III et al. ....	D8/330	D781,130 S *	3/2017	Shargh .....	D8/330
D736,591 S *	8/2015	Groleski .....	D8/330	D783,384 S *	4/2017	Shargh .....	D8/330
D736,596 S *	8/2015	Warmenhoven .....	D8/350	D790,950 S *	7/2017	Kraus .....	D8/330
9,097,037 B2 *	8/2015	McKibben .....	G05B 19/0405	D790,951 S *	7/2017	Ferreira Sanchez .....	D8/331
D737,657 S *	9/2015	Nadgouda .....	D8/331	D792,191 S *	7/2017	Ku .....	D8/330
D738,186 S *	9/2015	Nadgouda .....	D8/331	D792,192 S *	7/2017	Huang .....	D8/331
D738,192 S *	9/2015	Hetfield .....	D8/350	D803,027 S *	11/2017	Huang .....	D8/331
D760,062 S *	6/2016	Groleski .....	D8/331	D811,850 S *	3/2018	Schneider .....	D8/331
D761,079 S *	7/2016	Groleski .....	D8/331	D812,448 S *	3/2018	Schneider .....	D8/331
9,406,181 B2 *	8/2016	Almomani .....	G07C 9/00309	D817,148 S *	5/2018	Carpintero .....	D8/331
D766,067 S *	9/2016	Hyde .....	D8/330	9,963,906 B2 *	5/2018	Roatis .....	E05B 47/0001
D768,463 S *	10/2016	Kraus .....	D8/330	D826,690 S *	8/2018	Chiang .....	D8/331
D772,692 S *	11/2016	Meyerhoffer .....	D8/331	D833,255 S *	11/2018	Lee .....	D8/331
D778,708 S *	2/2017	Jeng .....	D8/330	10,184,272 B2 *	1/2019	Lee .....	E05B 47/0012
D779,305 S *	2/2017	Ku .....	D8/330	10,240,365 B2 *	3/2019	Almomani .....	G07C 9/00309
D779,919 S *	2/2017	Shargh .....	D8/330	10,344,501 B2 *	7/2019	Chang .....	E05B 45/06
9,580,933 B2 *	2/2017	Maeng .....	E05B 45/06	D861,462 S *	10/2019	Singtoroj .....	D8/353
				D867,104 S *	11/2019	Morstatt .....	D8/330
				D867,853 S *	11/2019	Lin .....	D8/331
				D869,261 S *	12/2019	Watson .....	D8/330

\* cited by examiner

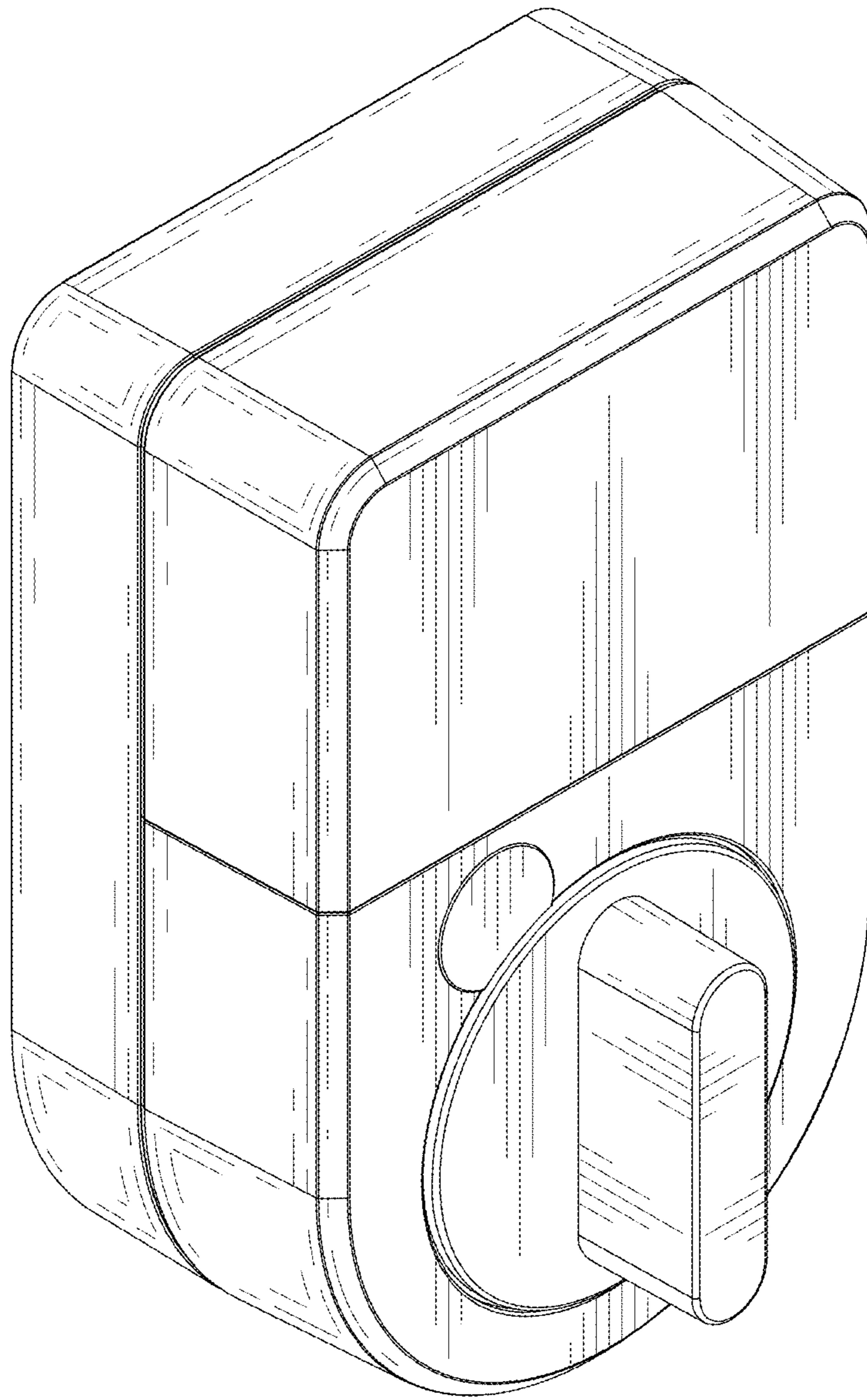


FIG.1

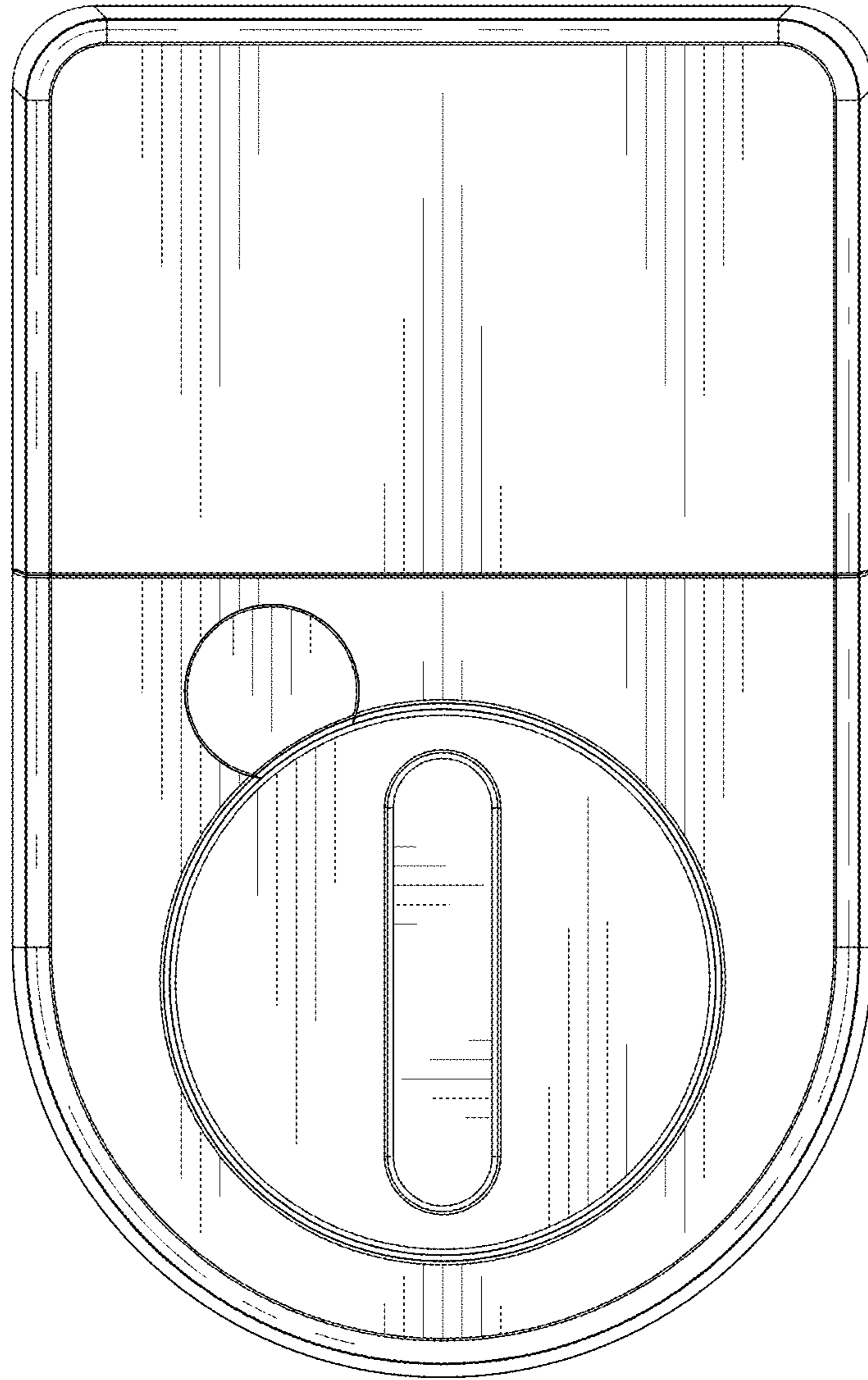


FIG.2

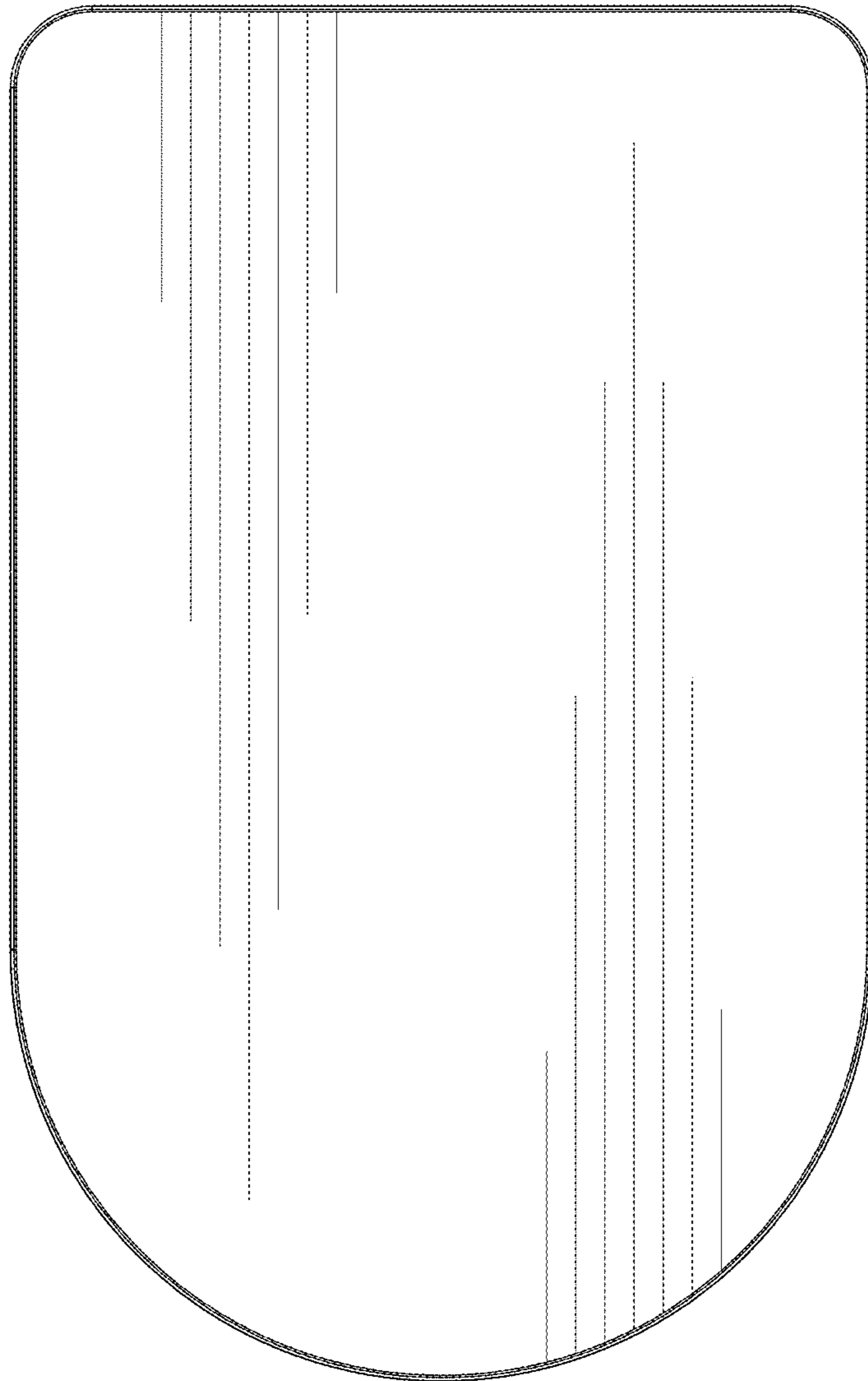


FIG.3

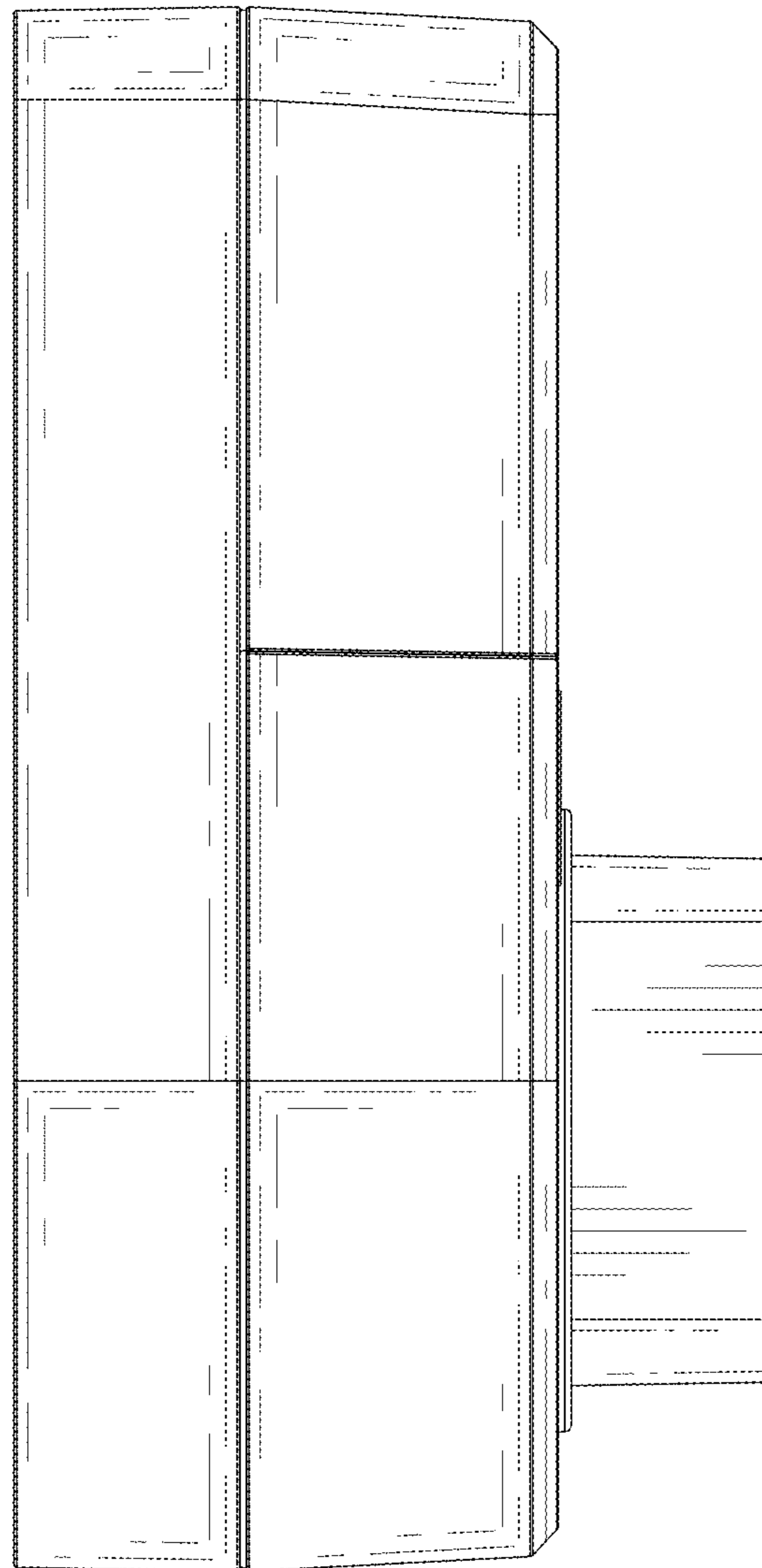


FIG.4

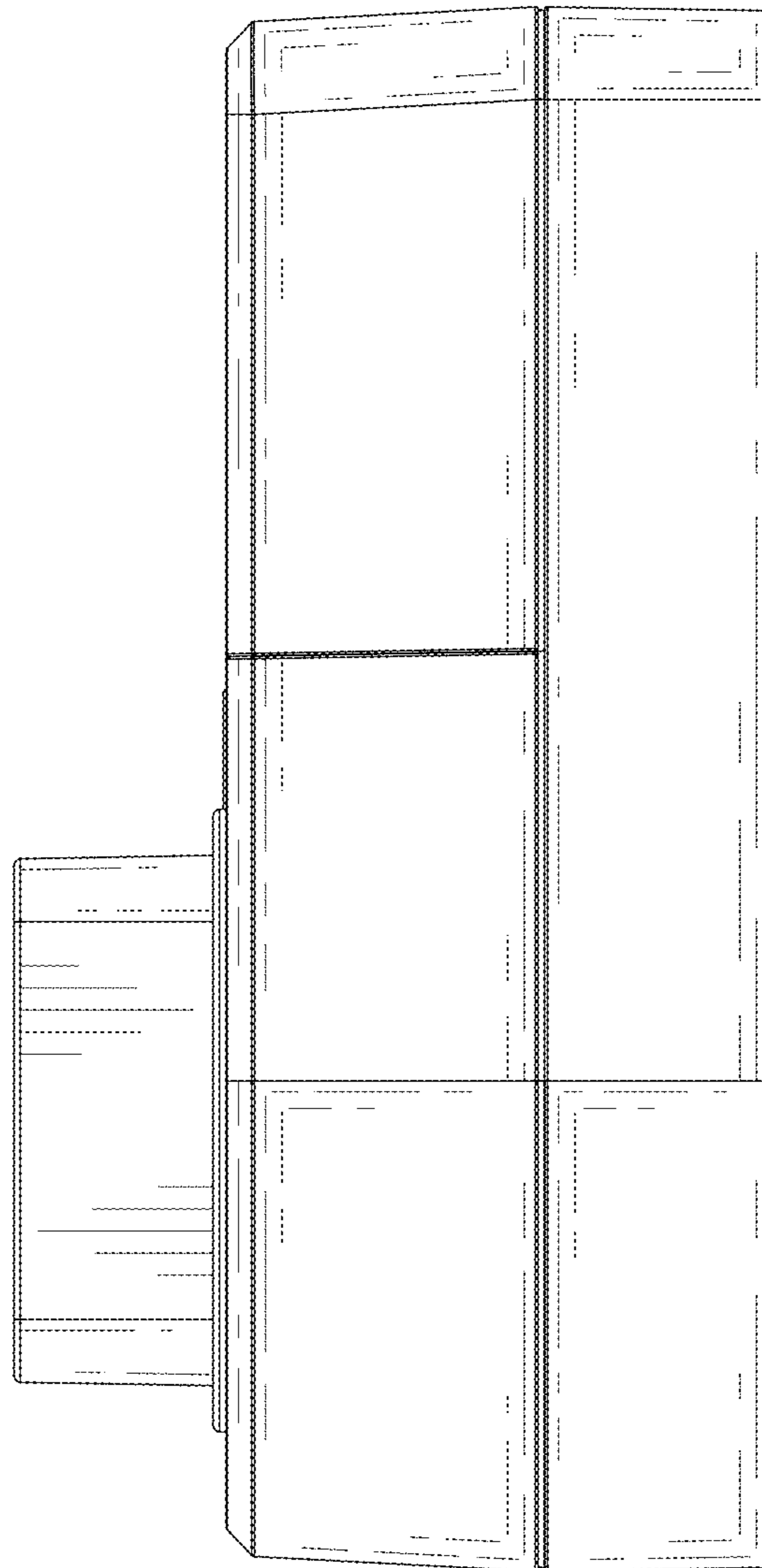


FIG.5

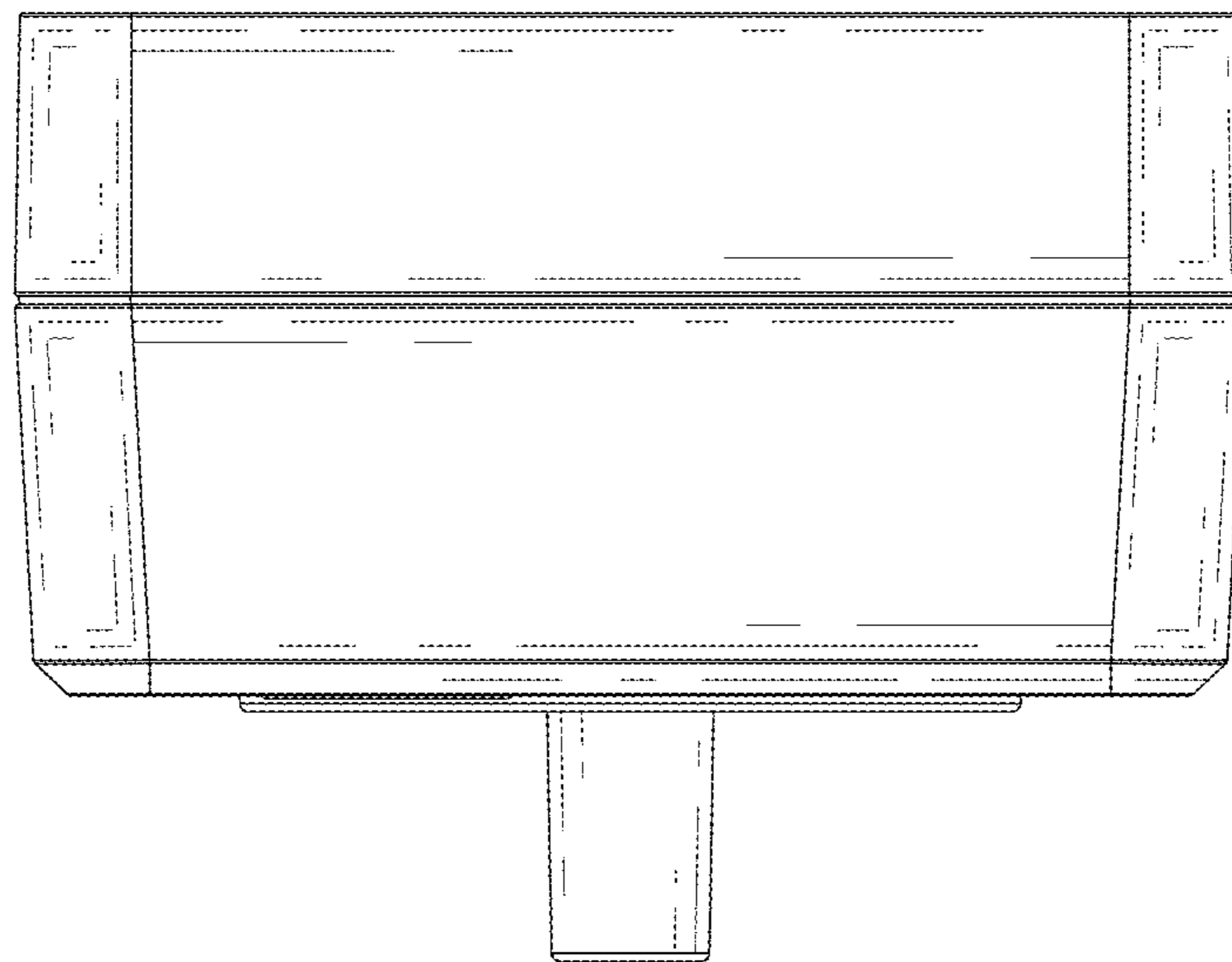


FIG.6



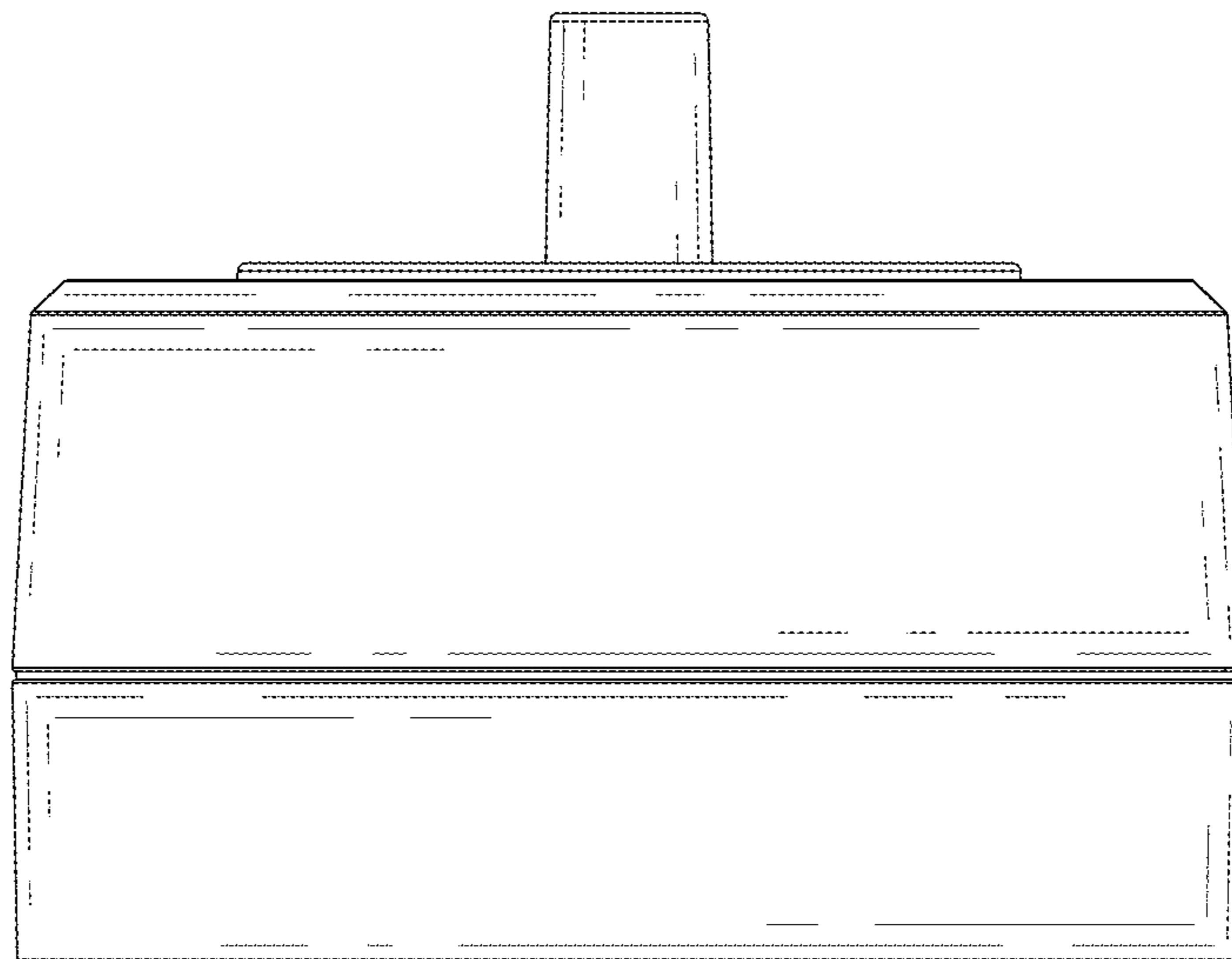


FIG.7