



US00D896610S

(12) **United States Design Patent** (10) **Patent No.:** **US D896,610 S**
Huang et al. (45) **Date of Patent:** **** Sep. 22, 2020**

- (54) **SELECTOR LEVER ELEMENT**
- (71) Applicant: **George Huang**, Henderson, NV (US)
- (72) Inventors: **George Huang**, Henderson, NV (US);
Roger Wang, Malibu, CA (US)
- (73) Assignee: **BattleArms IP, LLC**, Henderson, NV (US)
- (**) Term: **15 Years**
- (21) Appl. No.: **29/586,078**
- (22) Filed: **Nov. 30, 2016**

Related U.S. Application Data

- (63) Continuation of application No. 29/491,527, filed on May 22, 2014, now Pat. No. Des. 786,649, which is (Continued)
- (51) **LOC (12) Cl.** **08-06**
- (52) **U.S. Cl.**
USPC **D8/308; D22/108**
- (58) **Field of Classification Search**
USPC D8/107, 300-309, 321, 330, 331, 343, D8/346, 347, 349; D23/250-254, 264; D21/694; D34/10, 11; D7/393, 394, D7/548; D22/108
CPC . Y10T 16/476; Y10T 16/466; Y10T 16/4713; Y10T 16/469; Y10T 16/44; Y10T 74/20828; Y10T 279/17982; Y10T 29/49826; Y10T 74/20732; Y10T 74/20864; Y10T 16/4559; Y10T 408/96; (Continued)

(56) **References Cited**

U.S. PATENT DOCUMENTS

- 5,251,533 A * 10/1993 Layton F41A 19/33 89/129.02
- D343,564 S * 1/1994 Donofrio D8/308 (Continued)

Primary Examiner — Lauren R Calve
(74) *Attorney, Agent, or Firm* — Shaddock Law Group, PC

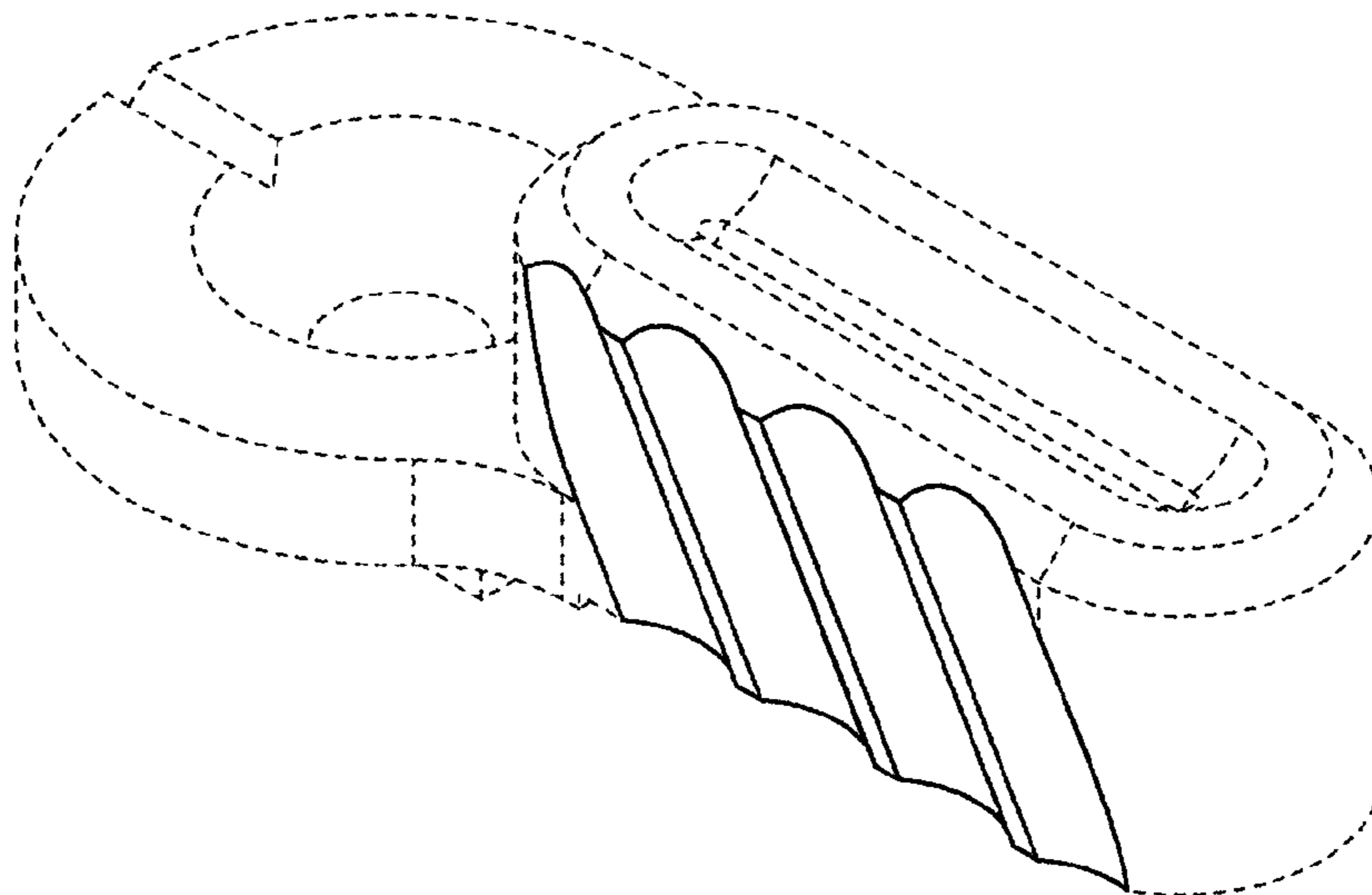
(57) **CLAIM**

The ornamental design for a selector lever element, as shown and described.

DESCRIPTION

FIG. 1 is a rear perspective view of a selector lever element, showing our new design;
 FIG. 2 is a front perspective view thereof;
 FIG. 3 is a left side view thereof;
 FIG. 4 is a right side view thereof;
 FIG. 5 is a top view thereof;
 FIG. 6 is a bottom view thereof;
 FIG. 7 is a front view thereof;
 FIG. 8 is a rear view thereof;
 FIG. 9 is a rear perspective view of a selector lever element according to a second embodiment;
 FIG. 10 is a front perspective view thereof;
 FIG. 11 is a left side view thereof;
 FIG. 12 is a right side view thereof;
 FIG. 13 is a top view thereof;
 FIG. 14 is a bottom view thereof;
 FIG. 15 is a front view thereof;
 FIG. 16 is a rear view thereof.
 FIG. 17 is a rear perspective view of a selector lever element according to a third embodiment;
 FIG. 18 is a front perspective view thereof;
 FIG. 19 is a left side view thereof;
 FIG. 20 is a right side view thereof;
 FIG. 21 is a top view thereof;
 FIG. 22 is a bottom view thereof;
 FIG. 23 is a front view thereof; and,
 FIG. 24 is a rear view thereof.
 The broken lines shown throughout the various figures depict additional structures that form no part of the claimed design.

1 Claim, 12 Drawing Sheets



US D896,610 S

Page 2

Related U.S. Application Data

a continuation-in-part of application No. 13/068,287,
filed on May 7, 2011, now Pat. No. 8,806,790.

(58) Field of Classification Search

CPC Y10T 279/17957; Y10T 16/459; Y10T
407/1825; Y10T 74/2078; Y10T
74/20822; Y10T 29/53; Y10T 29/537;
B25G 1/102; B25G 1/00; B25G 1/10;
B25G 3/00; Y10S 16/12; Y10S 16/19;
Y10S 16/906; Y10S 56/18; B26B 3/00;
B26B 5/00; B26B 13/20; B26B 1/10

See application file for complete search history.

(56) References Cited

U.S. PATENT DOCUMENTS

D356,944 S * 4/1995 Spaulding D8/308
D420,416 S * 2/2000 Kay D22/100
D448,274 S * 9/2001 Heinrich D8/338
D454,292 S * 3/2002 Plummer D8/331
D456,237 S * 4/2002 Sokurenko D8/306
6,640,593 B1 * 11/2003 Hannah E05B 63/0056
70/224
D484,774 S * 1/2004 Jones D8/331
D508,196 S * 8/2005 Pieters D8/308
D566,520 S * 4/2008 Samhammer D8/331
D639,378 S * 6/2011 Burt D22/108
D649,014 S * 11/2011 Stuckey D8/343
8,127,481 B2 * 3/2012 Rozum F41A 17/00
42/70.01
8,276,502 B1 * 10/2012 Wright F41A 17/46
42/70.01
8,499,482 B1 * 8/2013 Di Trolio F41A 17/42
42/70.01

8,806,790 B1 * 8/2014 Huang F41A 17/74
42/70.08
D723,646 S * 3/2015 Keezer D22/108
9,003,948 B2 * 4/2015 Brown F41A 19/33
42/70.01
9,518,792 B1 * 12/2016 Huang F41A 35/00
9,587,897 B1 * 3/2017 Huang F41A 17/00
D786,649 S * 5/2017 Huang D8/308
D819,768 S * 6/2018 Dew D22/108
D833,561 S * 11/2018 Pavlick D22/108
D834,131 S * 11/2018 Geissele D22/108
10,126,081 B1 * 11/2018 Geissele F41A 17/46
D846,707 S * 4/2019 Rubach D23/252
2002/0069568 A1 * 6/2002 Bowles F41A 17/00
42/66
2005/0229462 A1 * 10/2005 McGarry F41A 17/02
42/70.08
2007/0175935 A1 * 8/2007 Clifton, Jr. F41A 17/00
224/243
2008/0302235 A1 * 12/2008 Lauck F41A 17/46
89/132
2013/0111796 A1 * 5/2013 Dionne F41A 17/00
42/70.11
2015/0027020 A1 * 1/2015 Sheets, Jr. F41A 17/00
42/70.11
2016/0018176 A1 * 1/2016 Fellows F41A 19/02
42/69.03
2016/0187089 A1 * 6/2016 Wengender F41A 17/02
42/70.04
2017/0122686 A1 * 5/2017 Fellows F41A 19/24
2017/0122689 A1 * 5/2017 Smith F41A 35/06
2017/0176122 A1 * 6/2017 Underwood F41A 19/46
2017/0299304 A1 * 10/2017 Otte, Jr. F41A 17/46
2017/0299309 A1 * 10/2017 Fellows F41A 17/46
2017/0328663 A1 * 11/2017 Fellows F41A 19/14
2018/0142979 A1 * 5/2018 Troy F41A 19/46

* cited by examiner

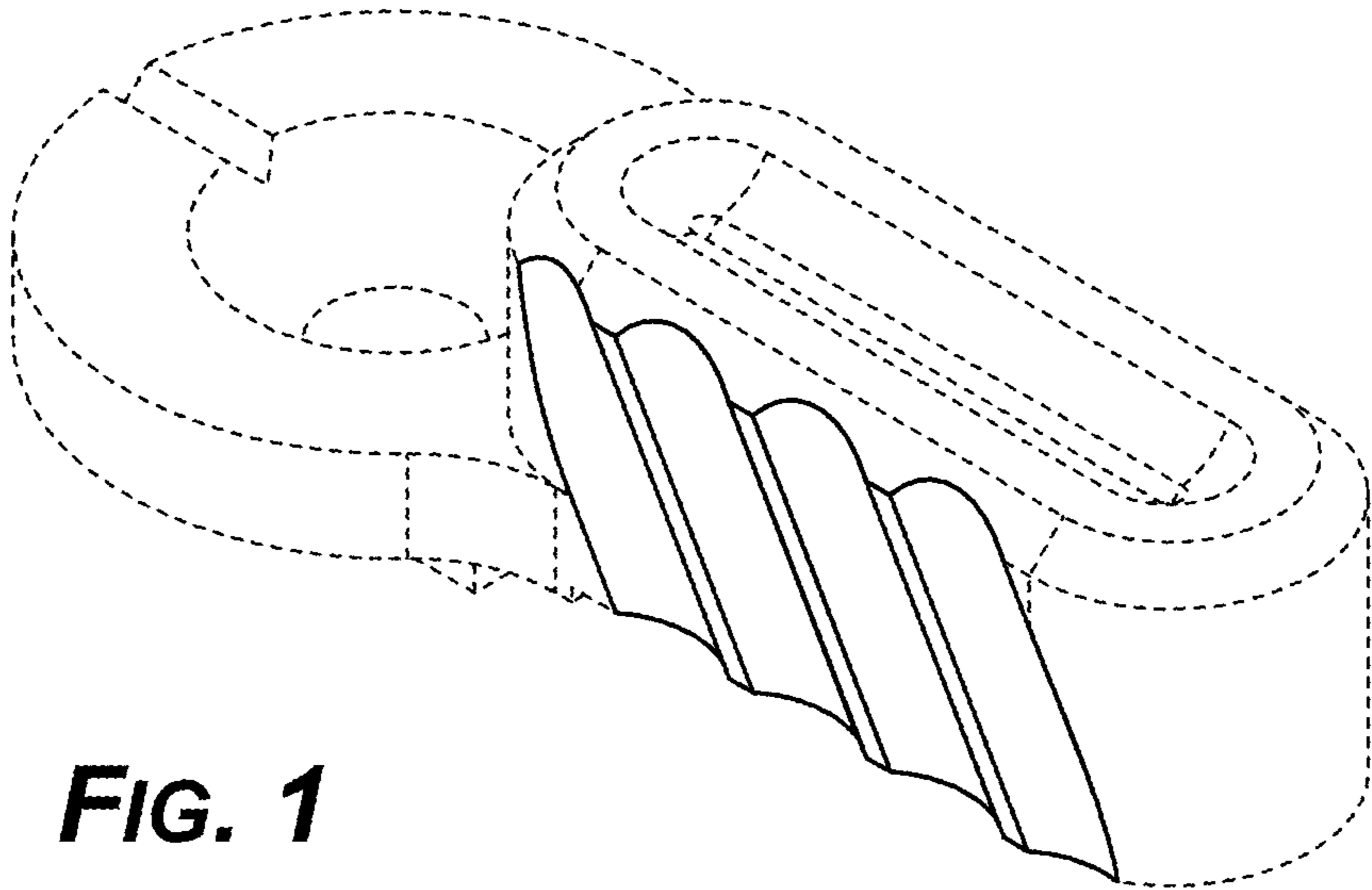


FIG. 1

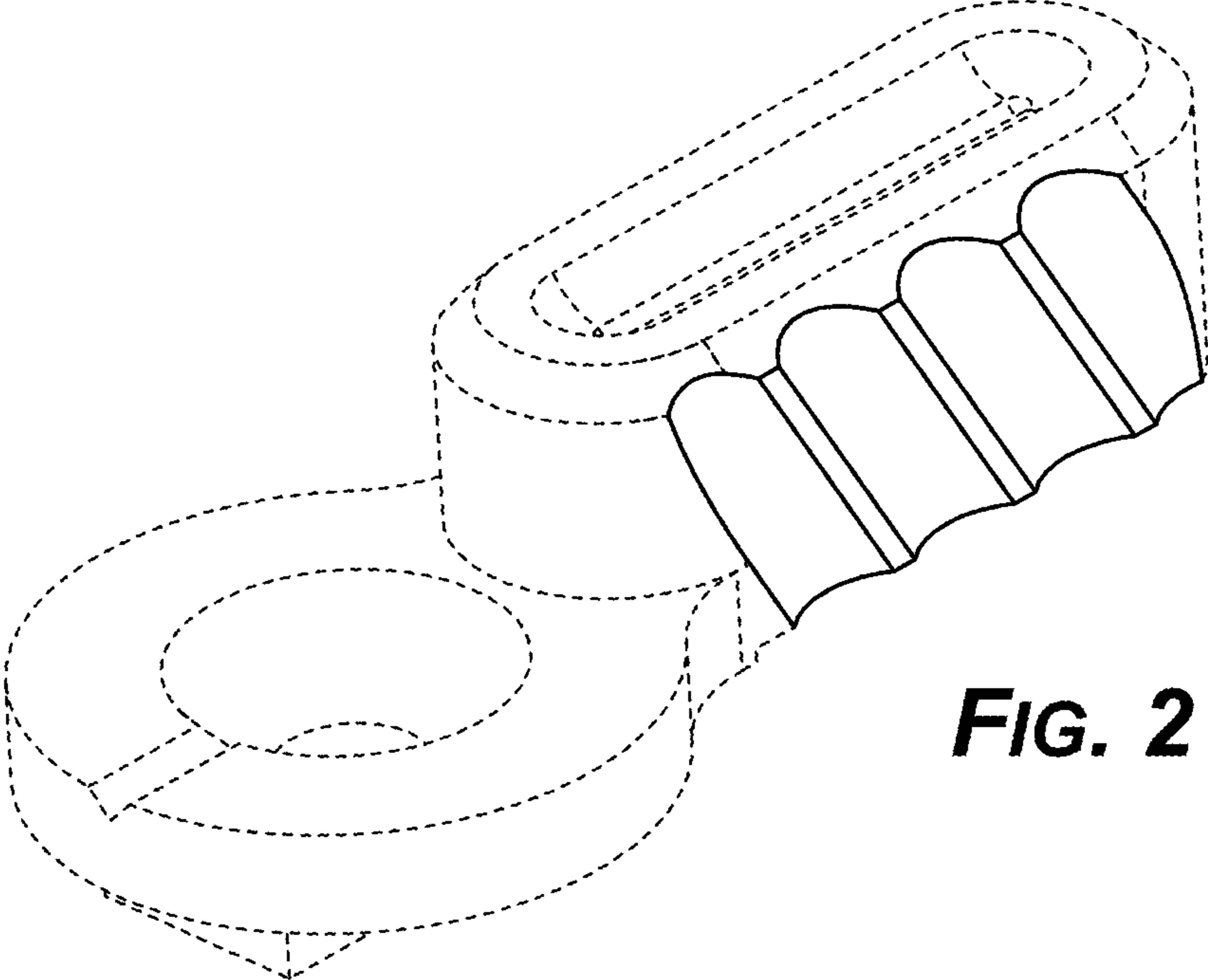


FIG. 2

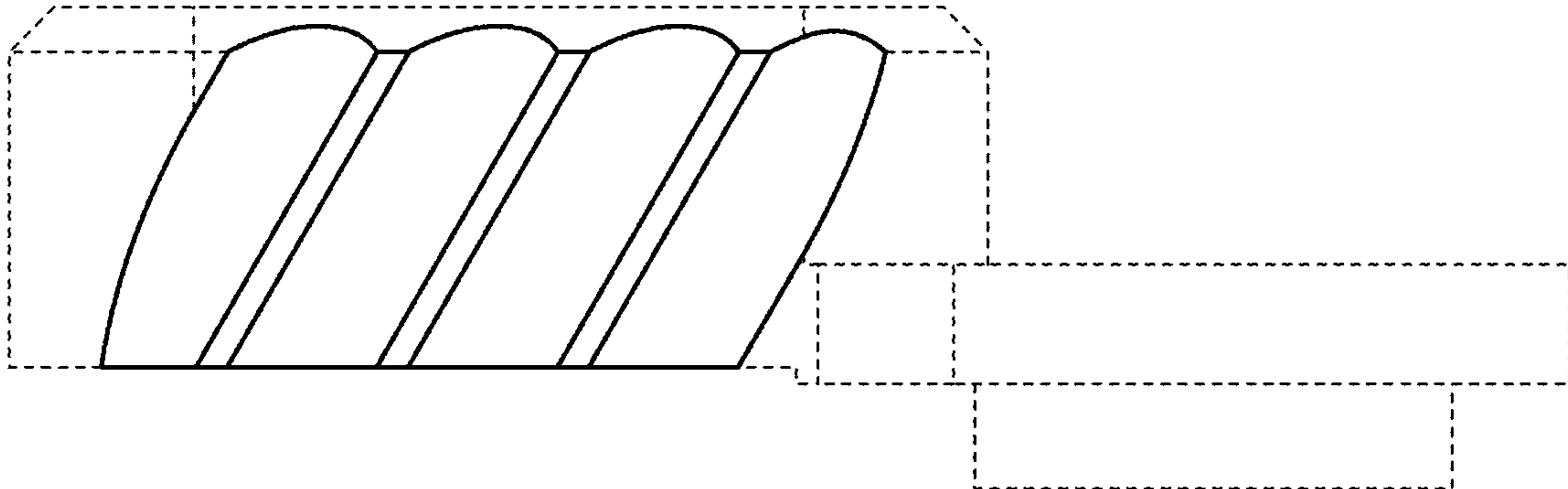


FIG. 3

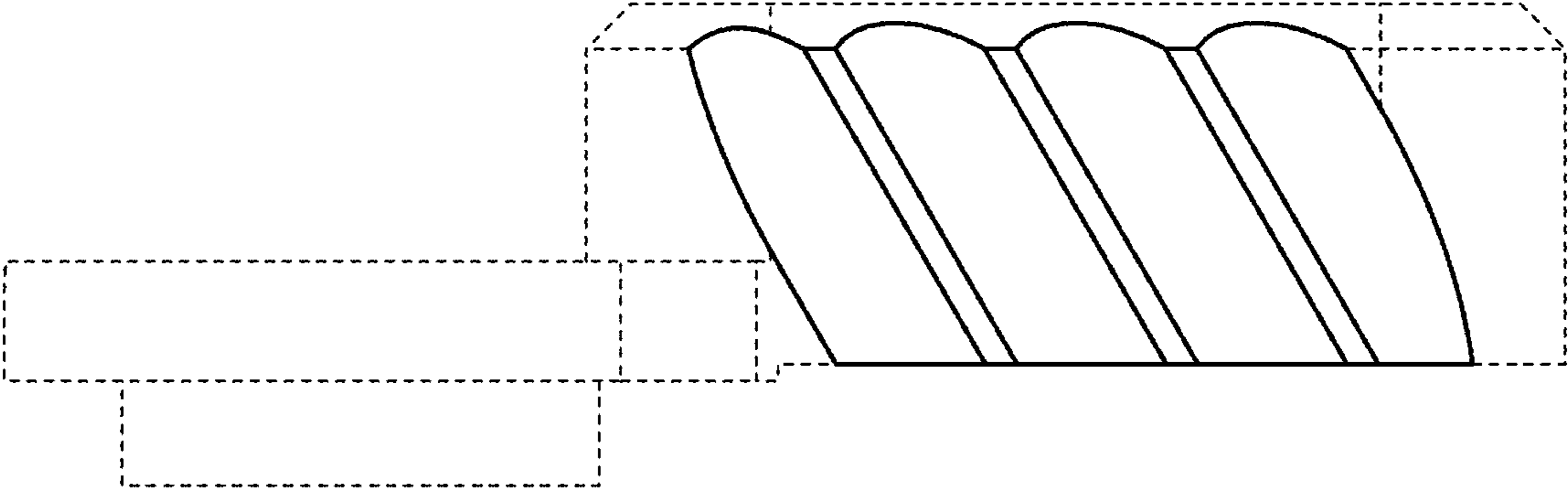


FIG. 4

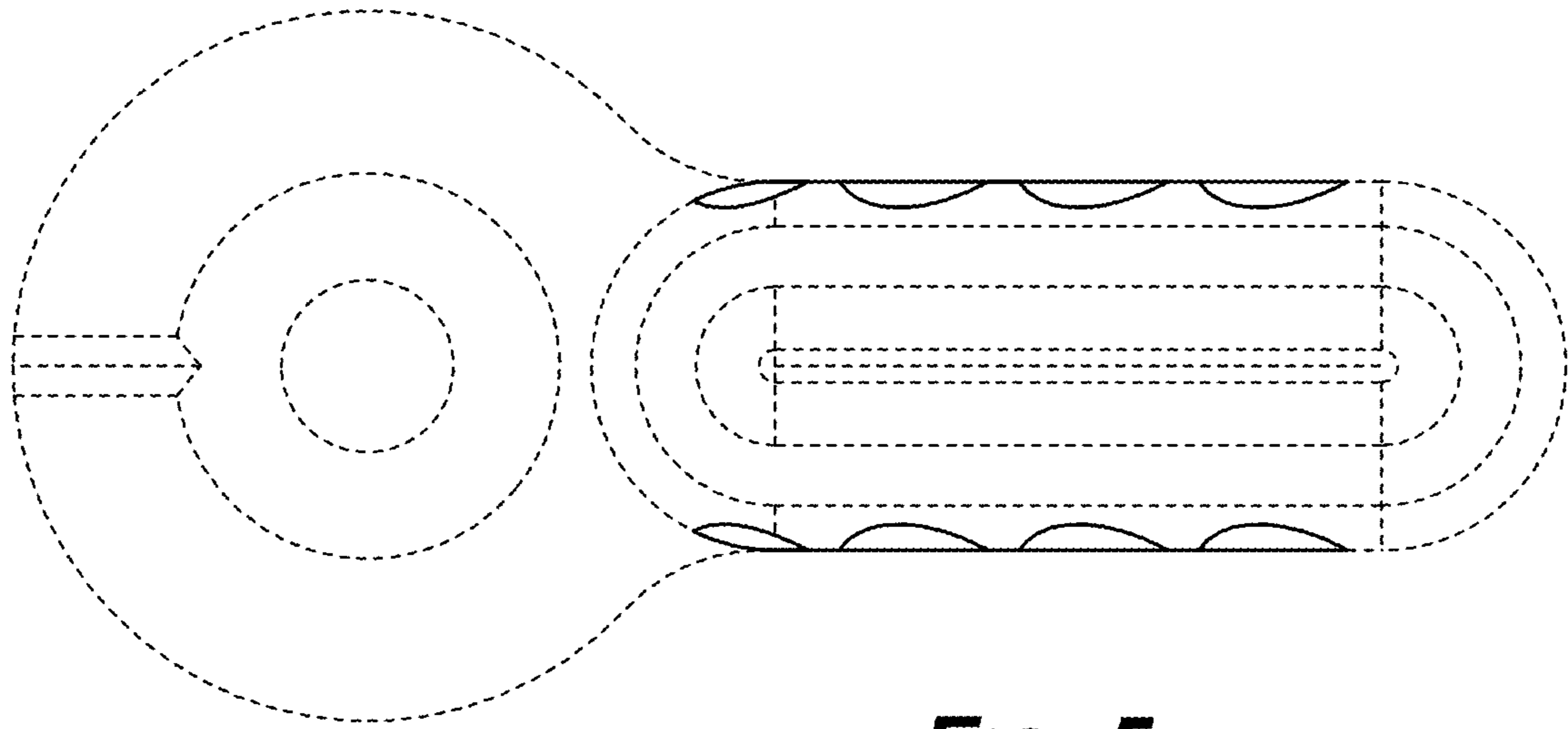


FIG. 5

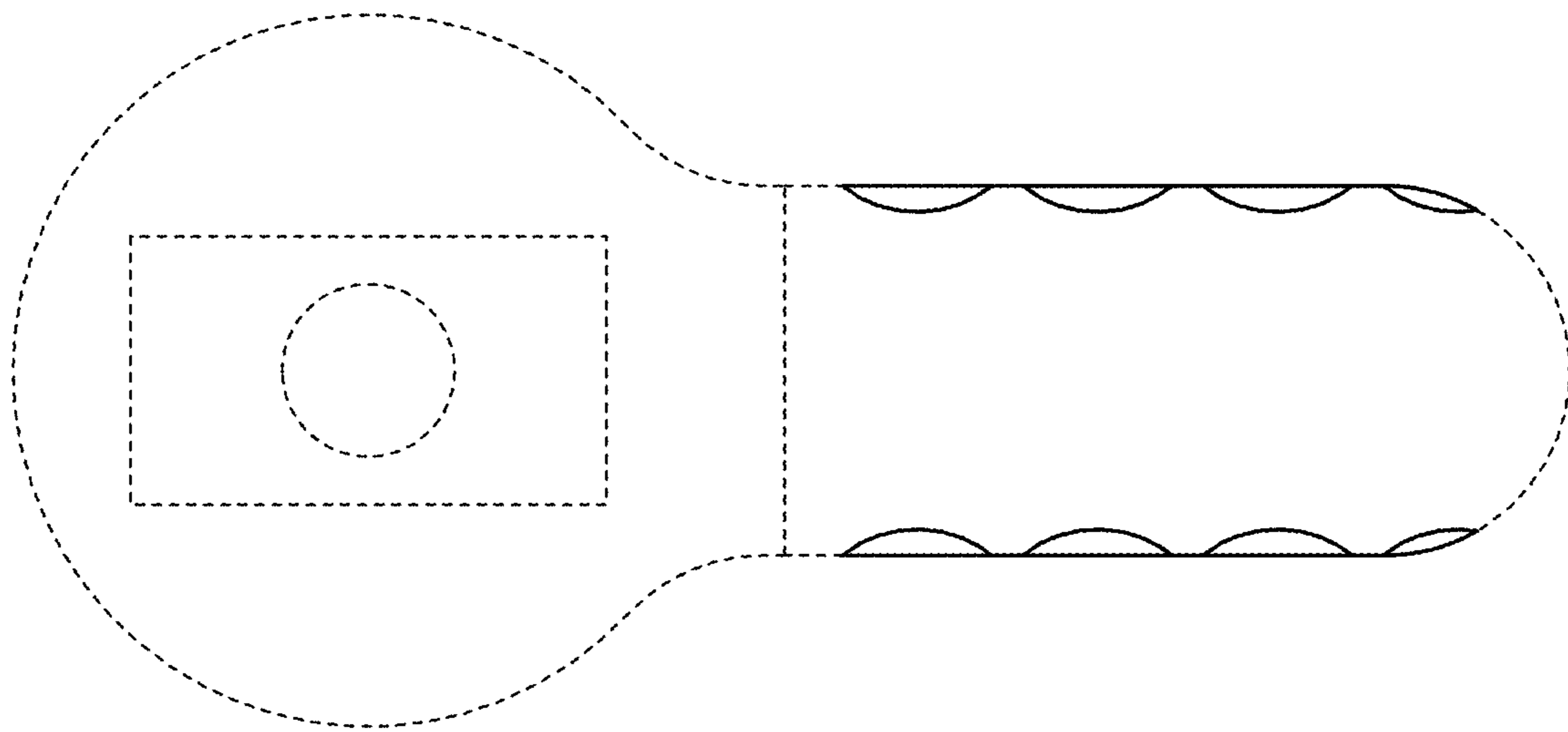


FIG. 6

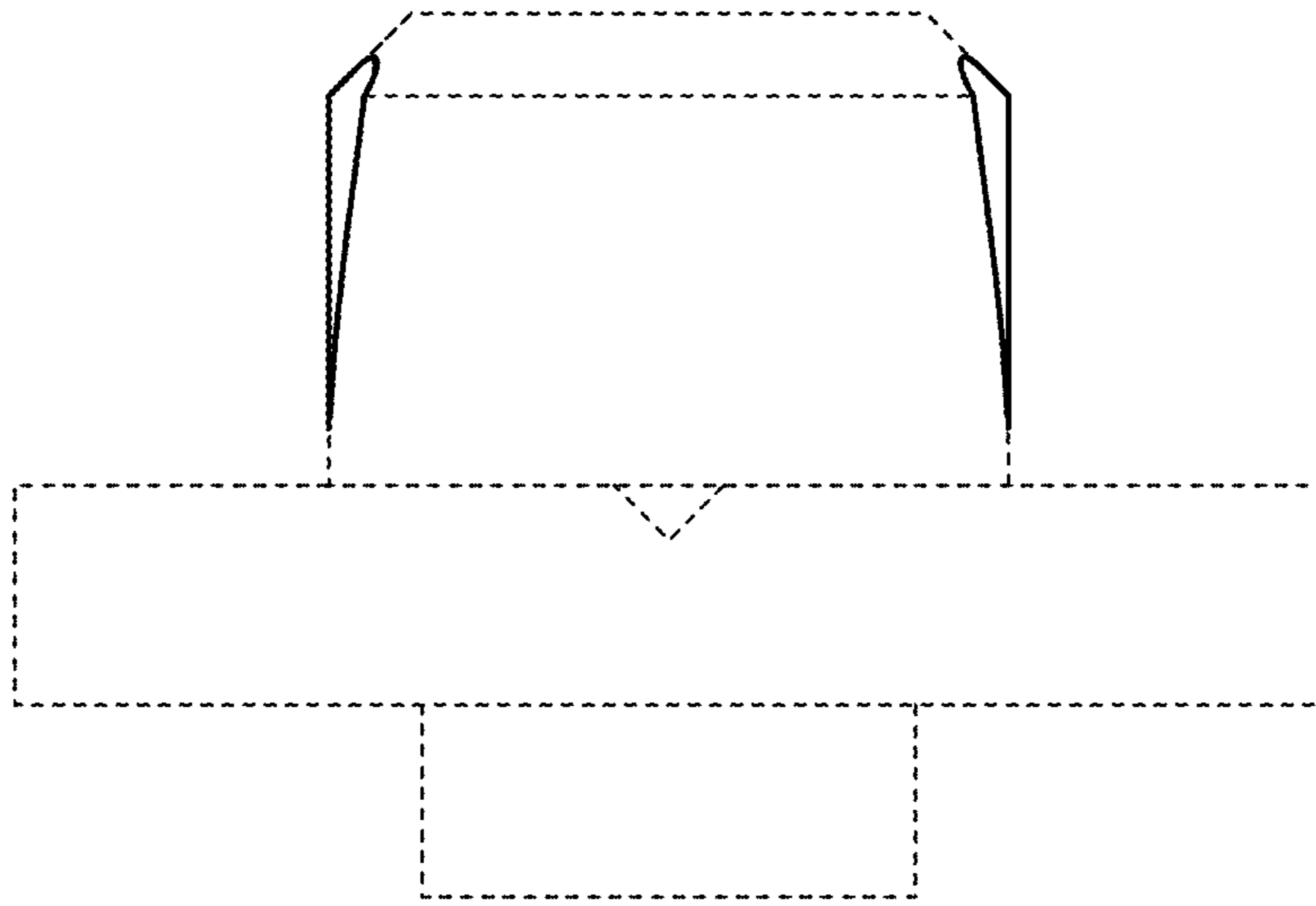


FIG. 7

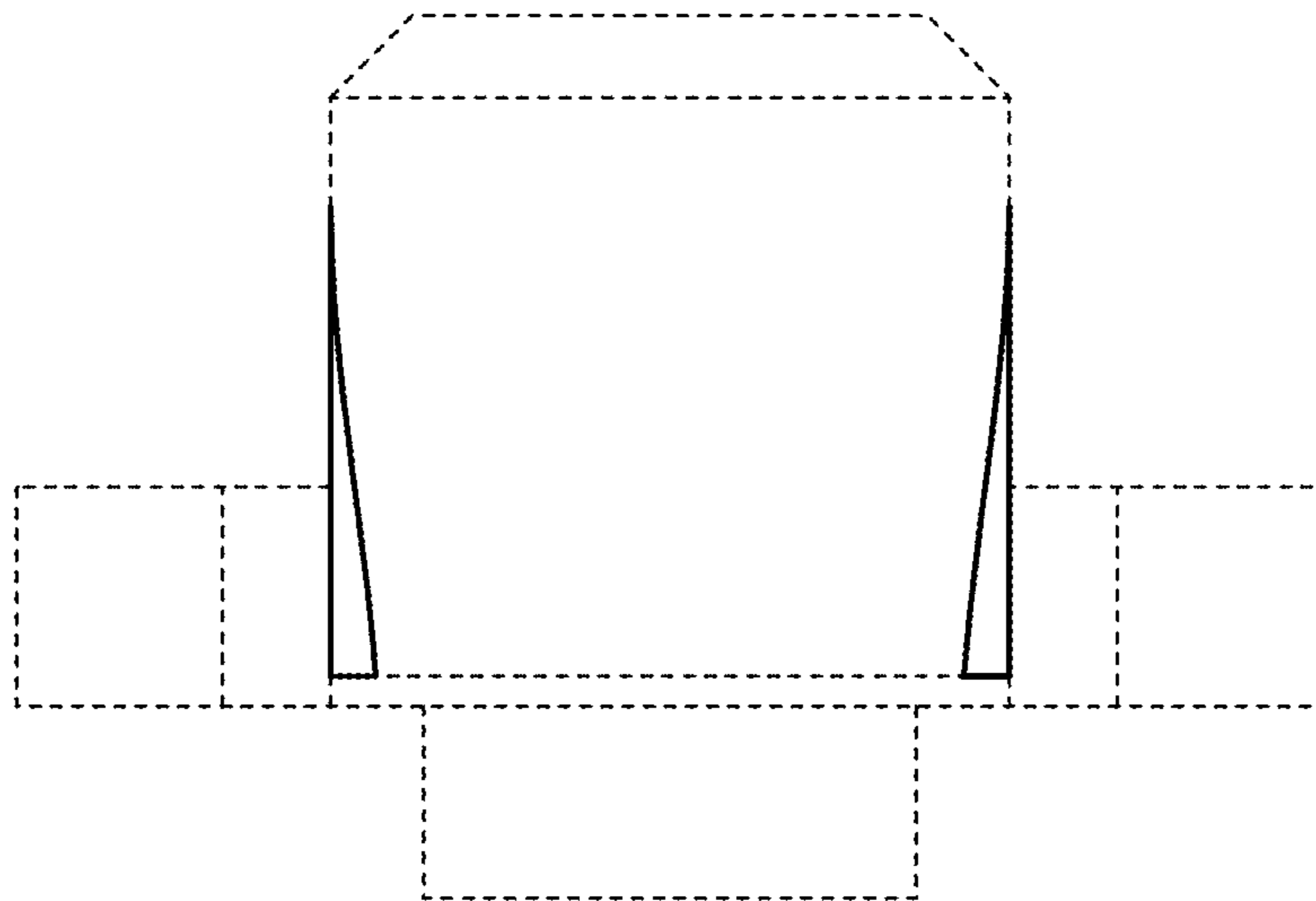


FIG. 8

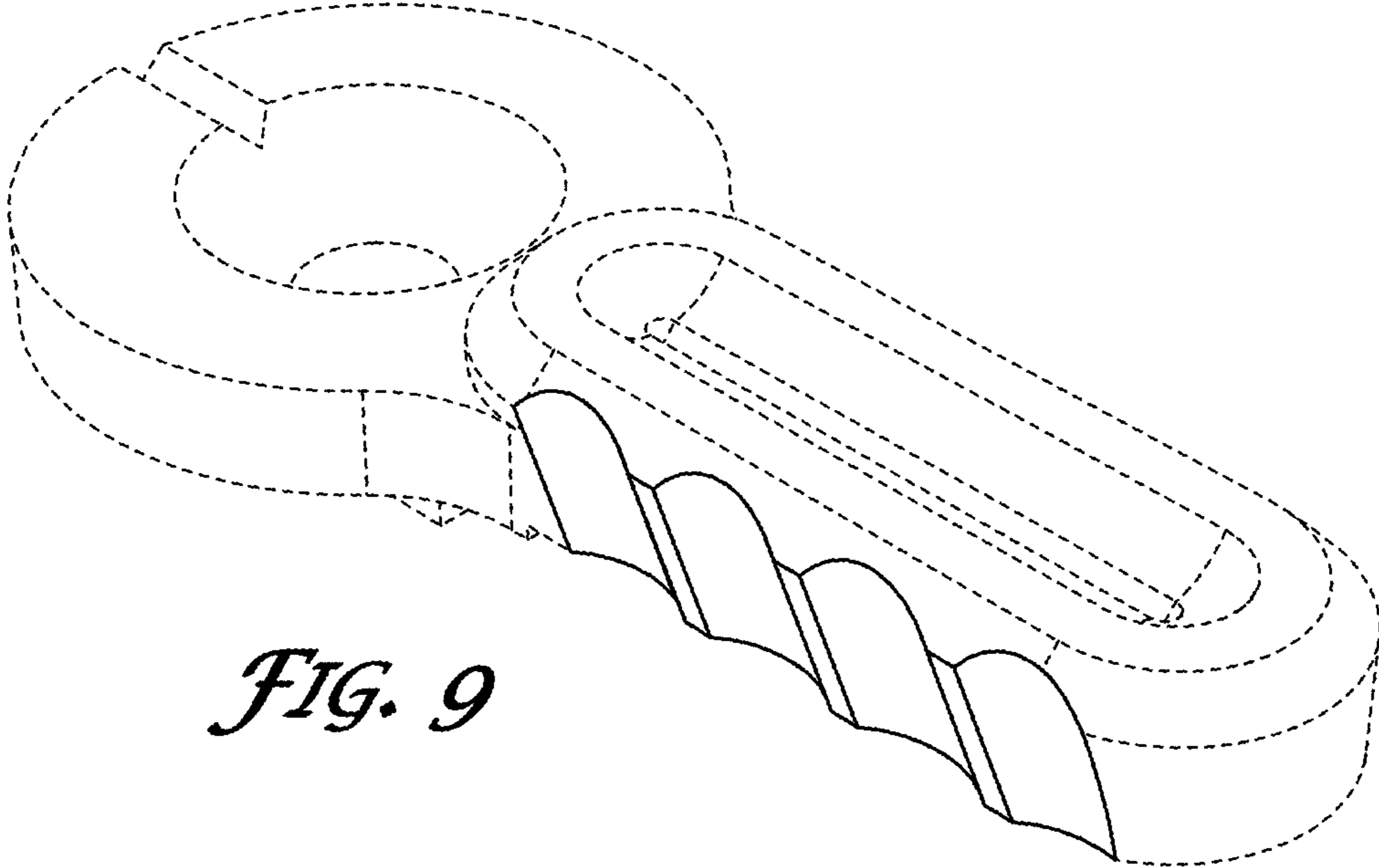


FIG. 9

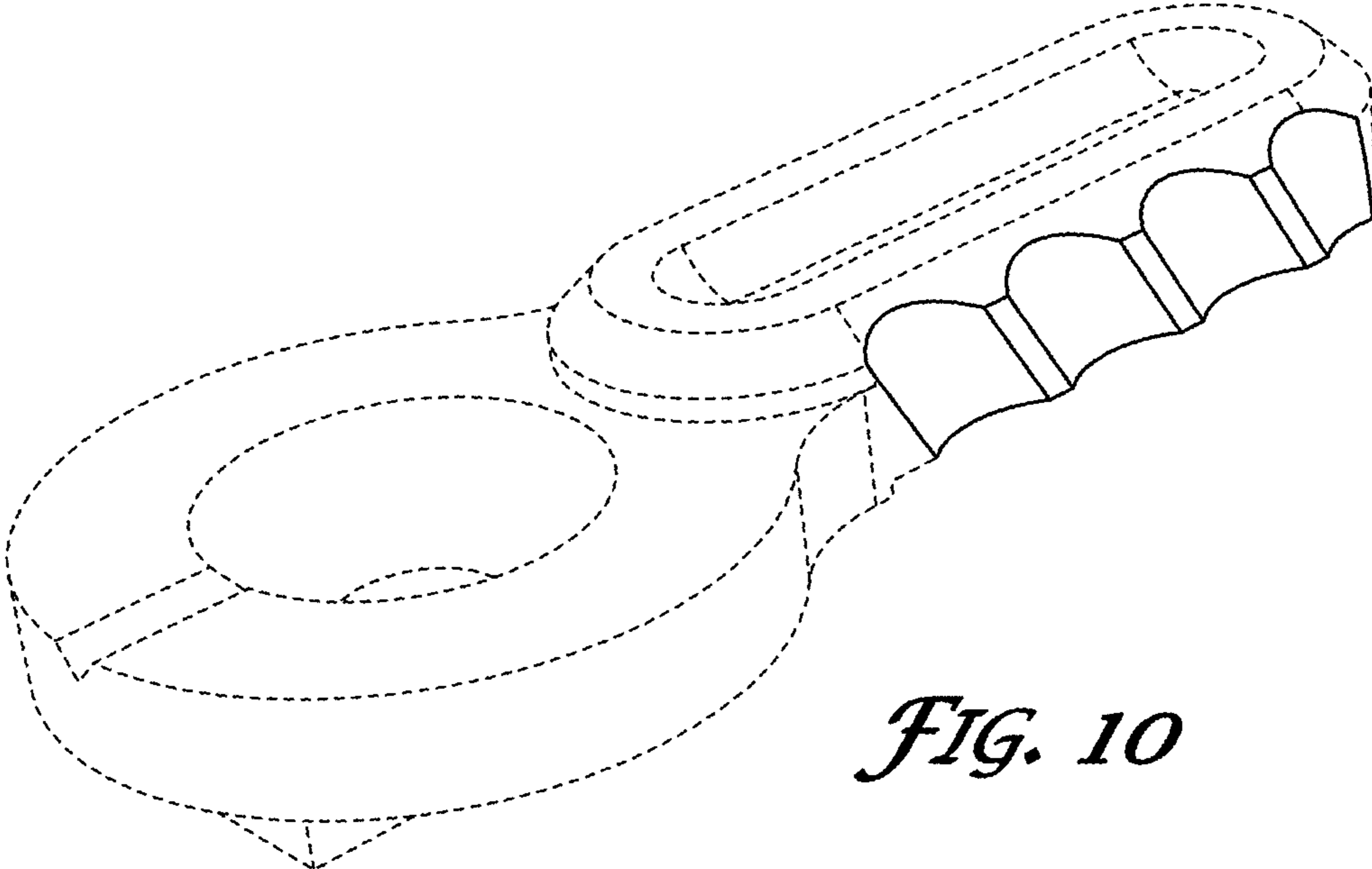


FIG. 10

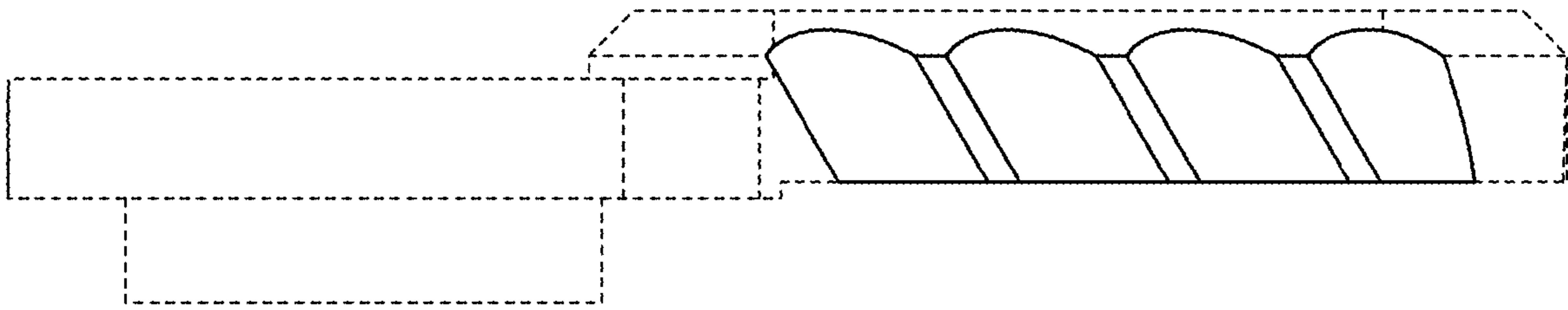


FIG. 11

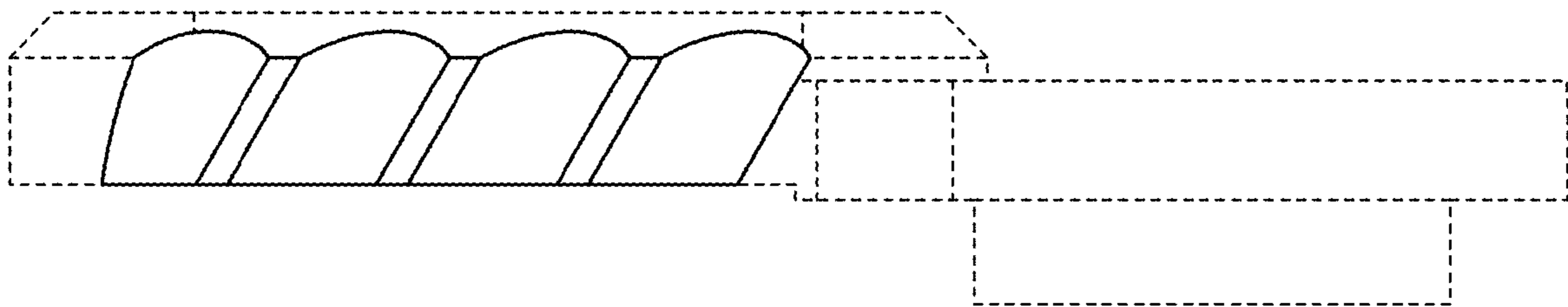


FIG. 12

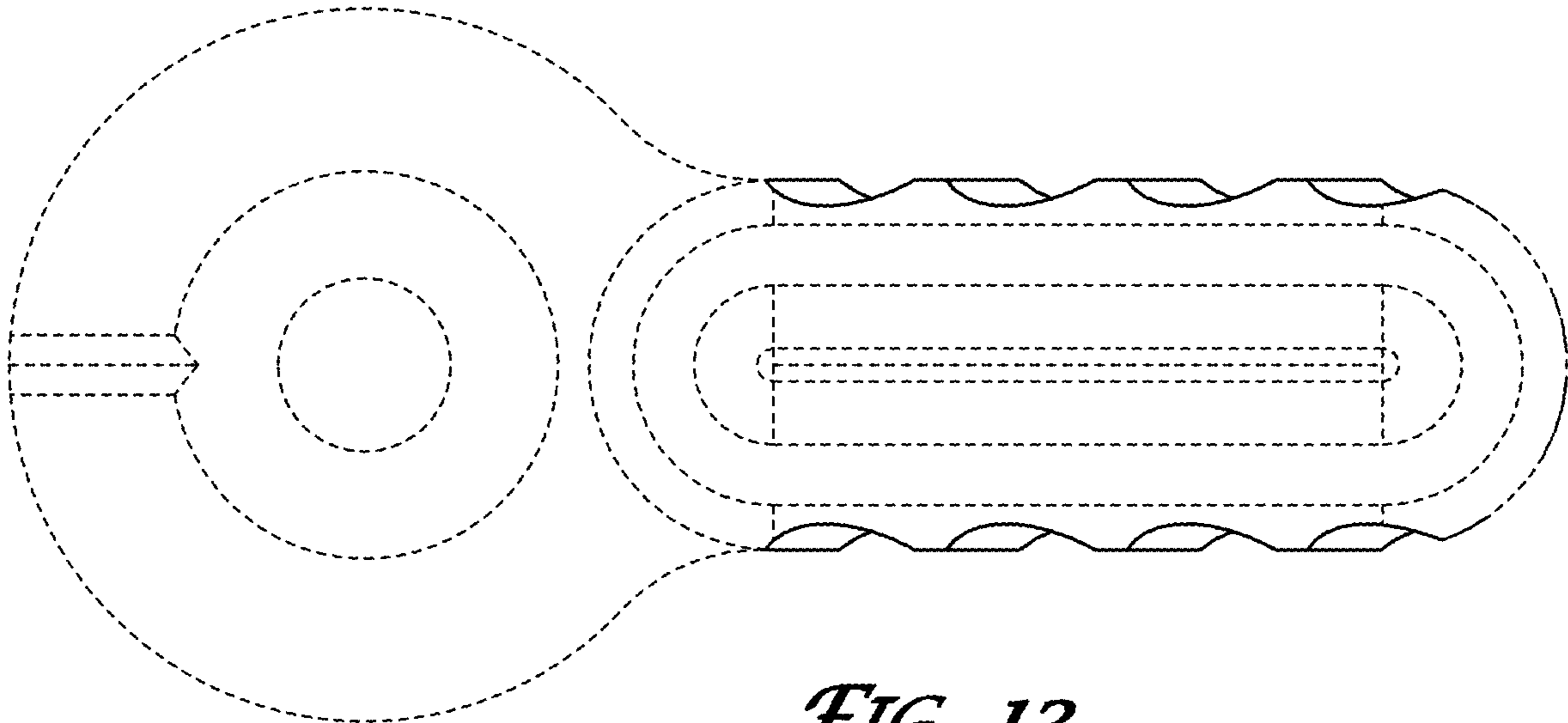


FIG. 13

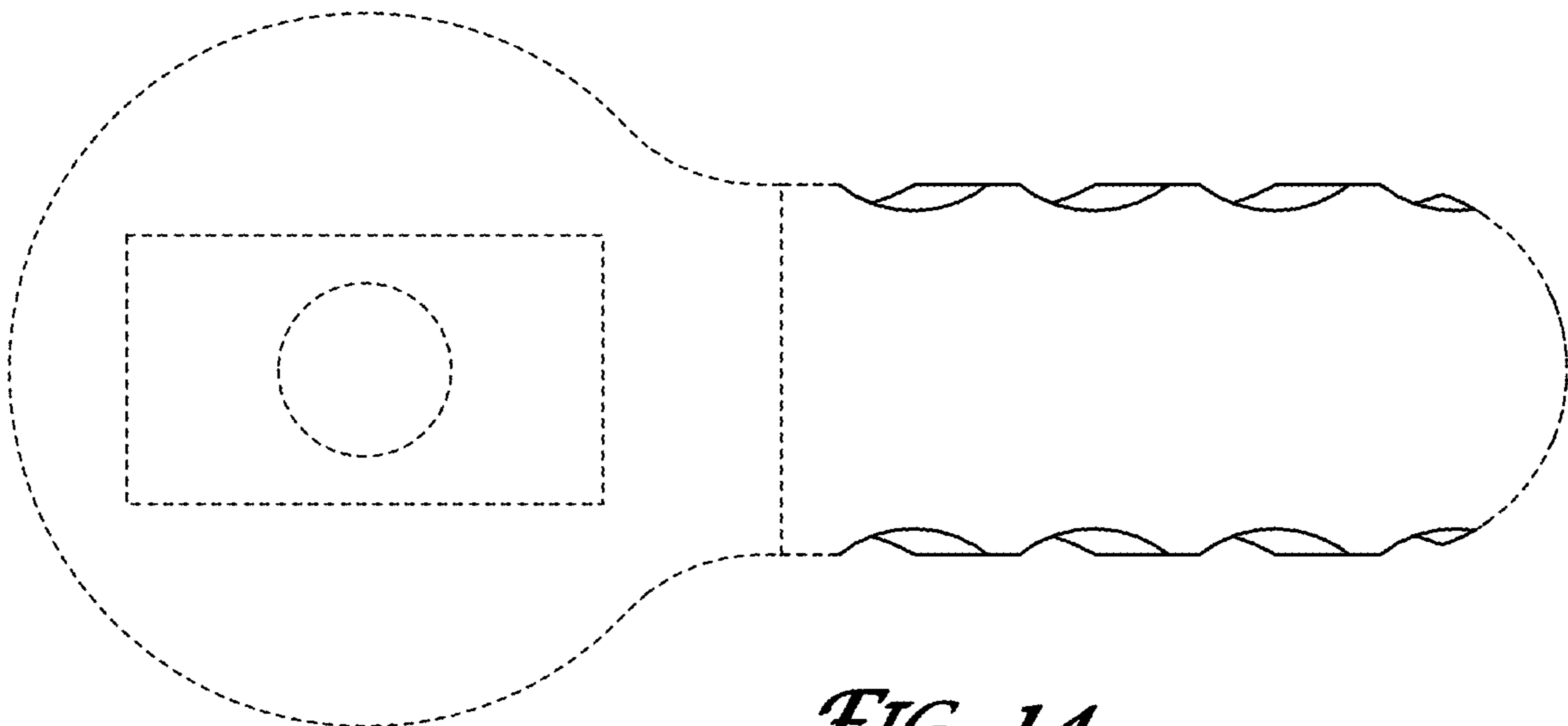


FIG. 14

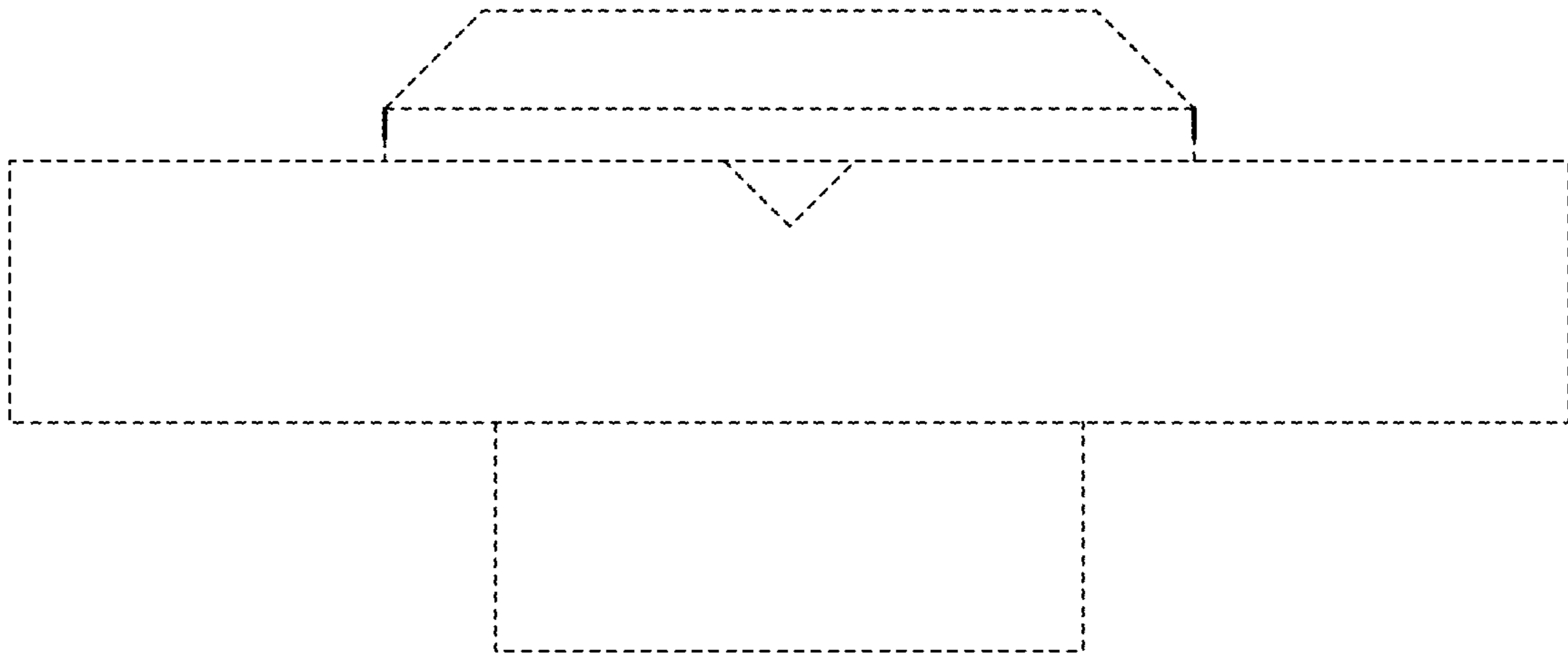


FIG. 15

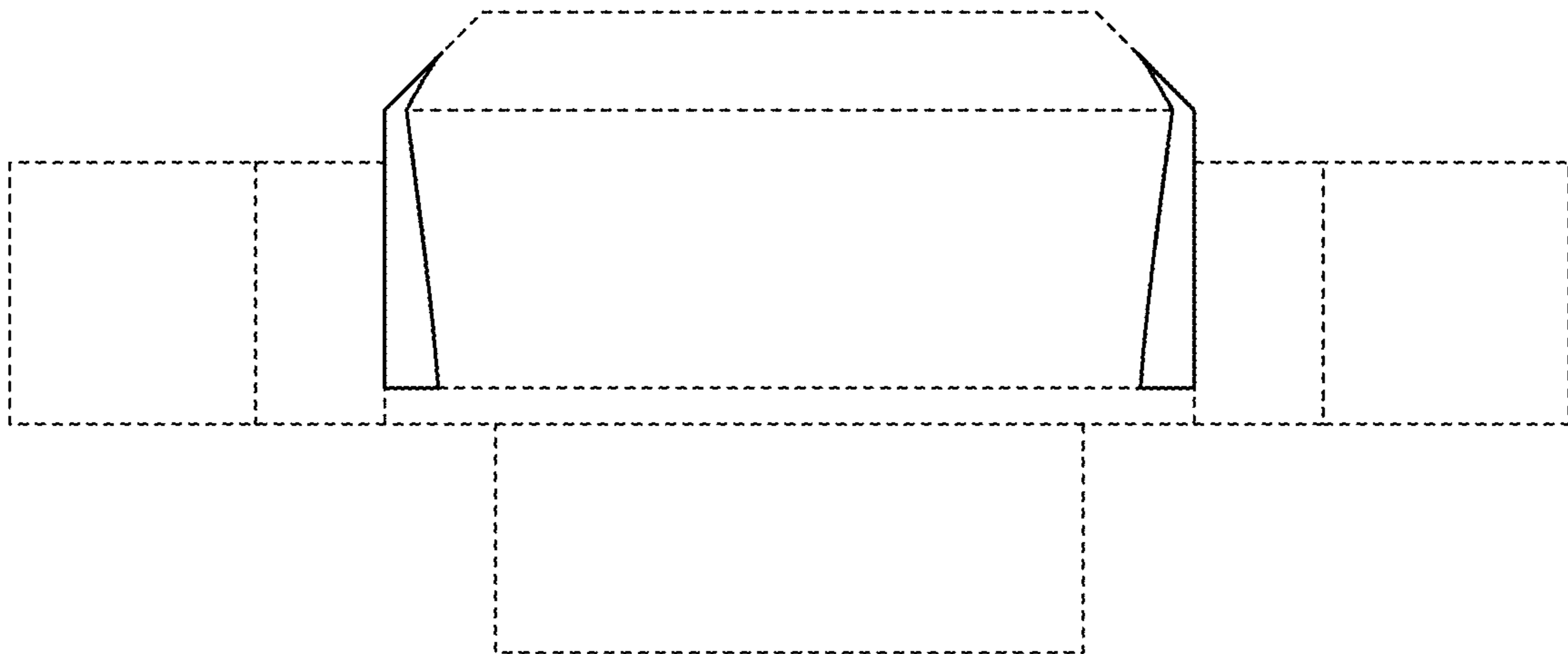


FIG. 16

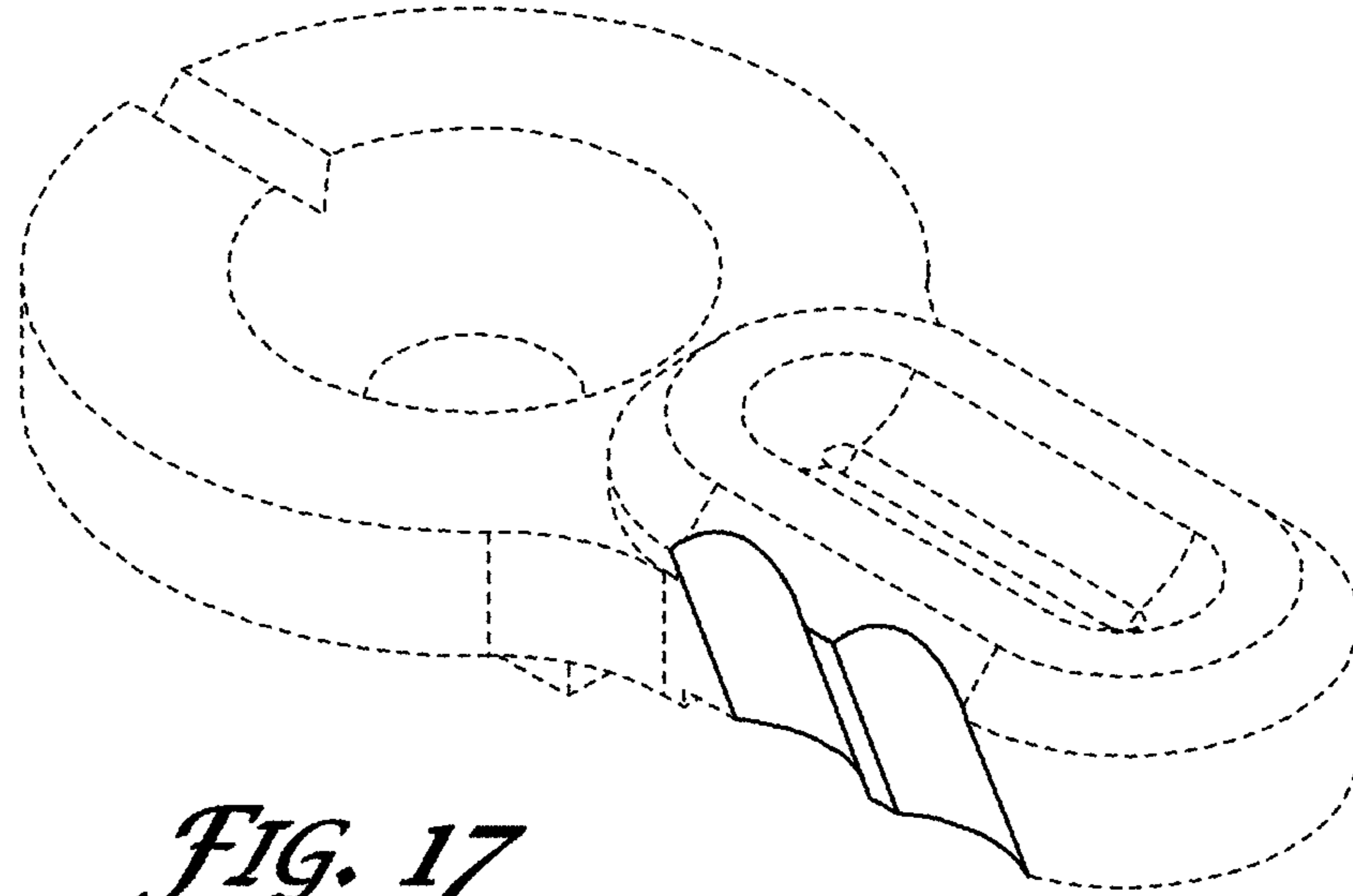


FIG. 17

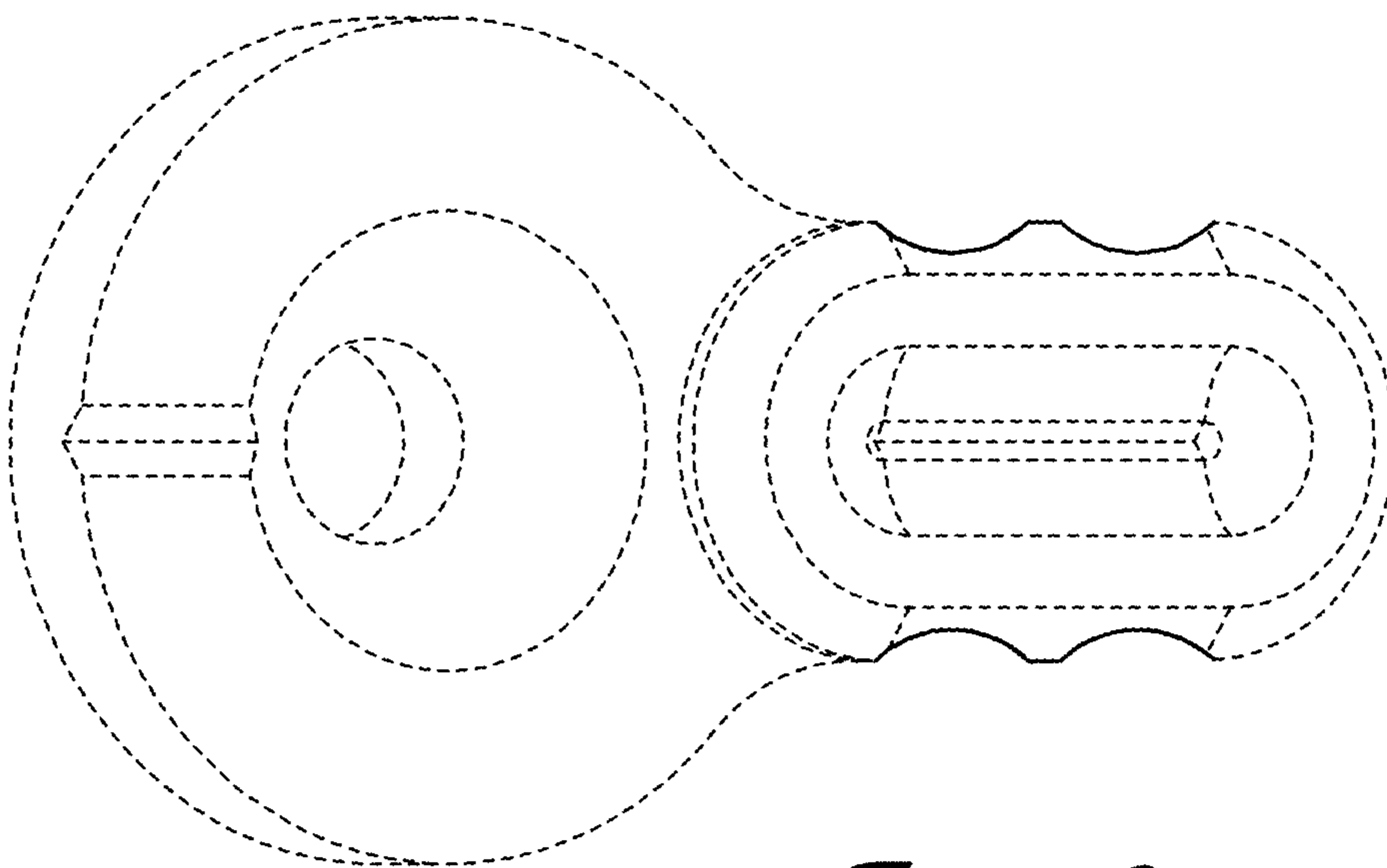


FIG. 18

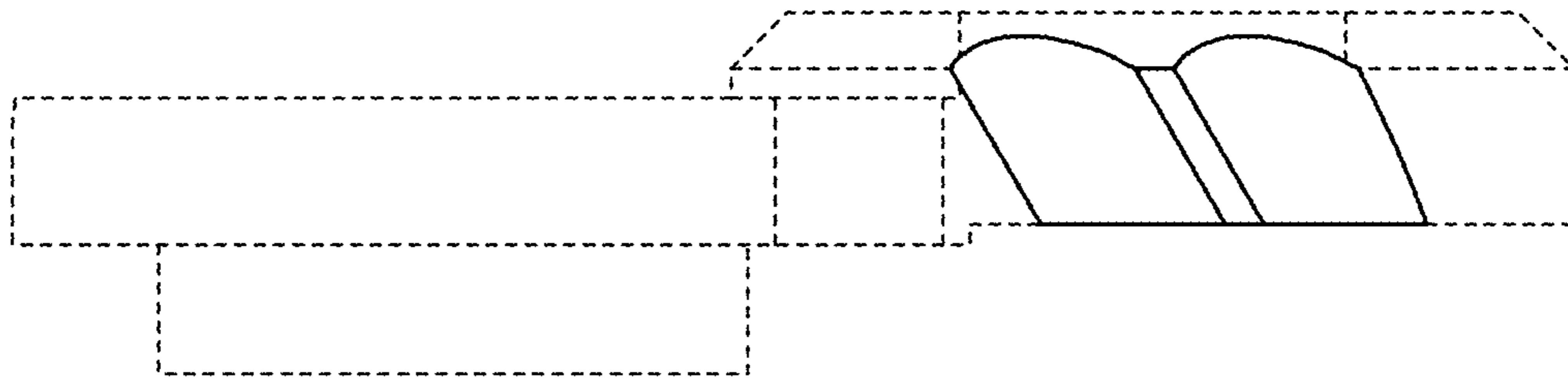


FIG. 19

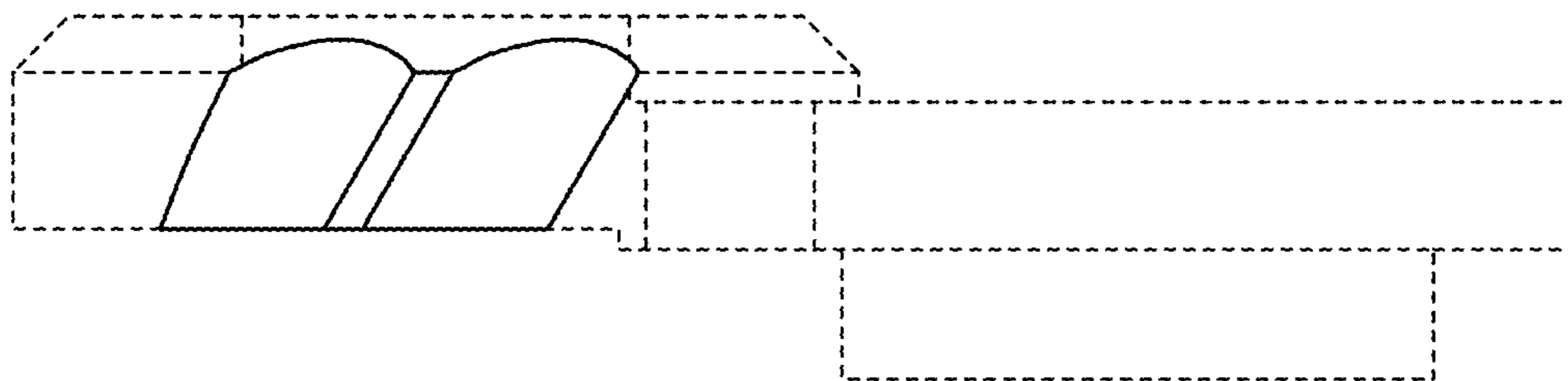


FIG. 20

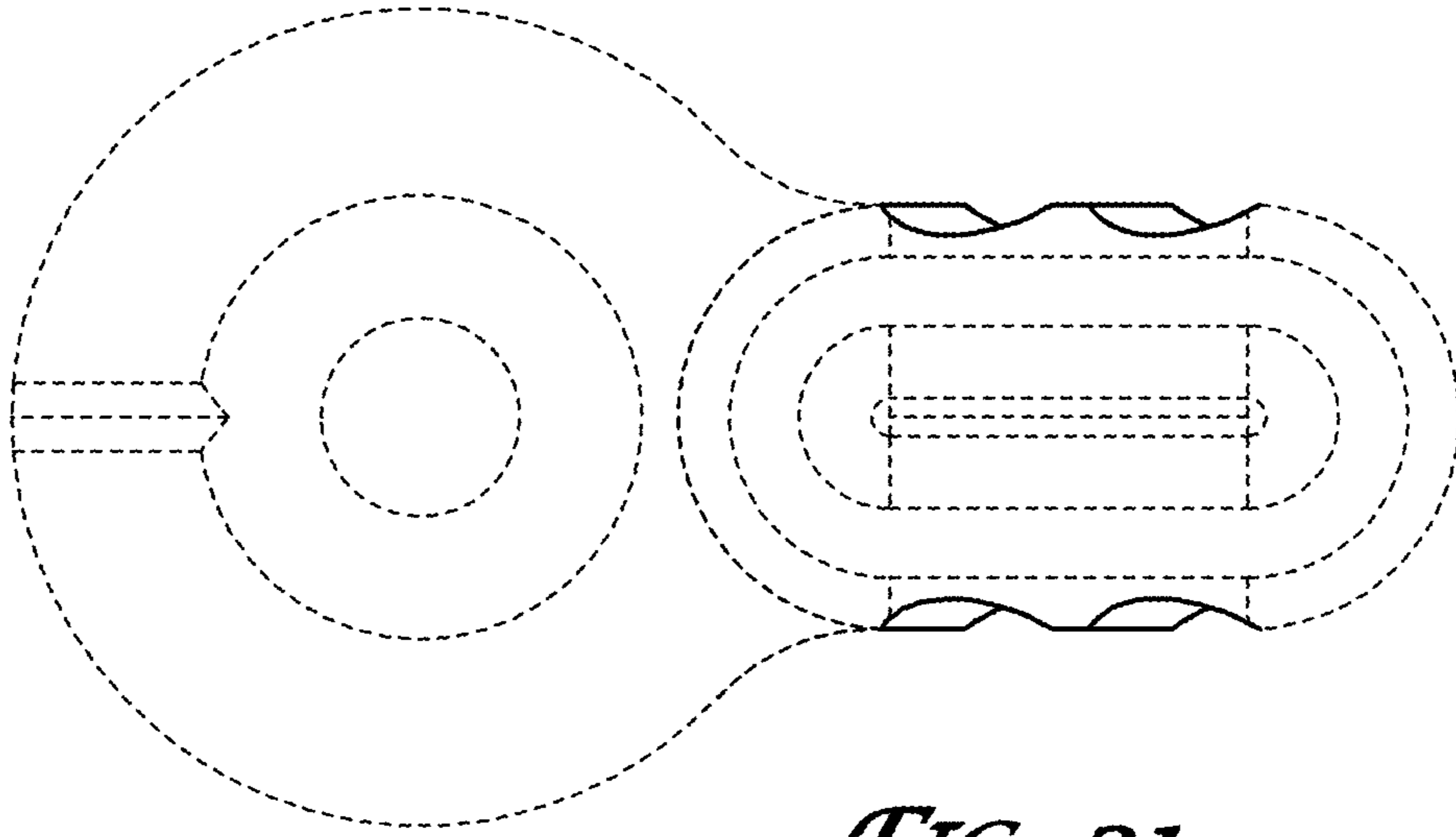


FIG. 21

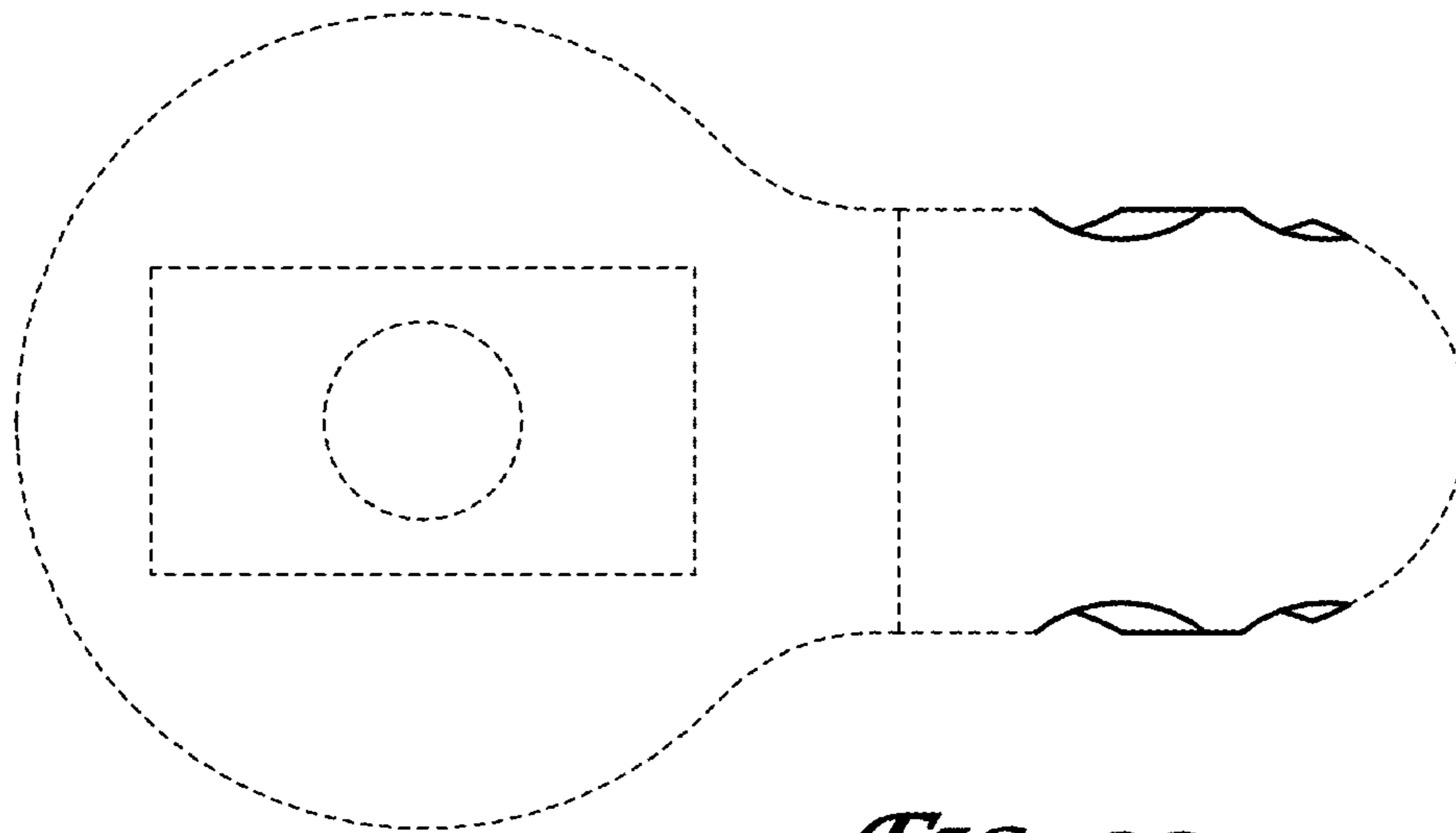


FIG. 22

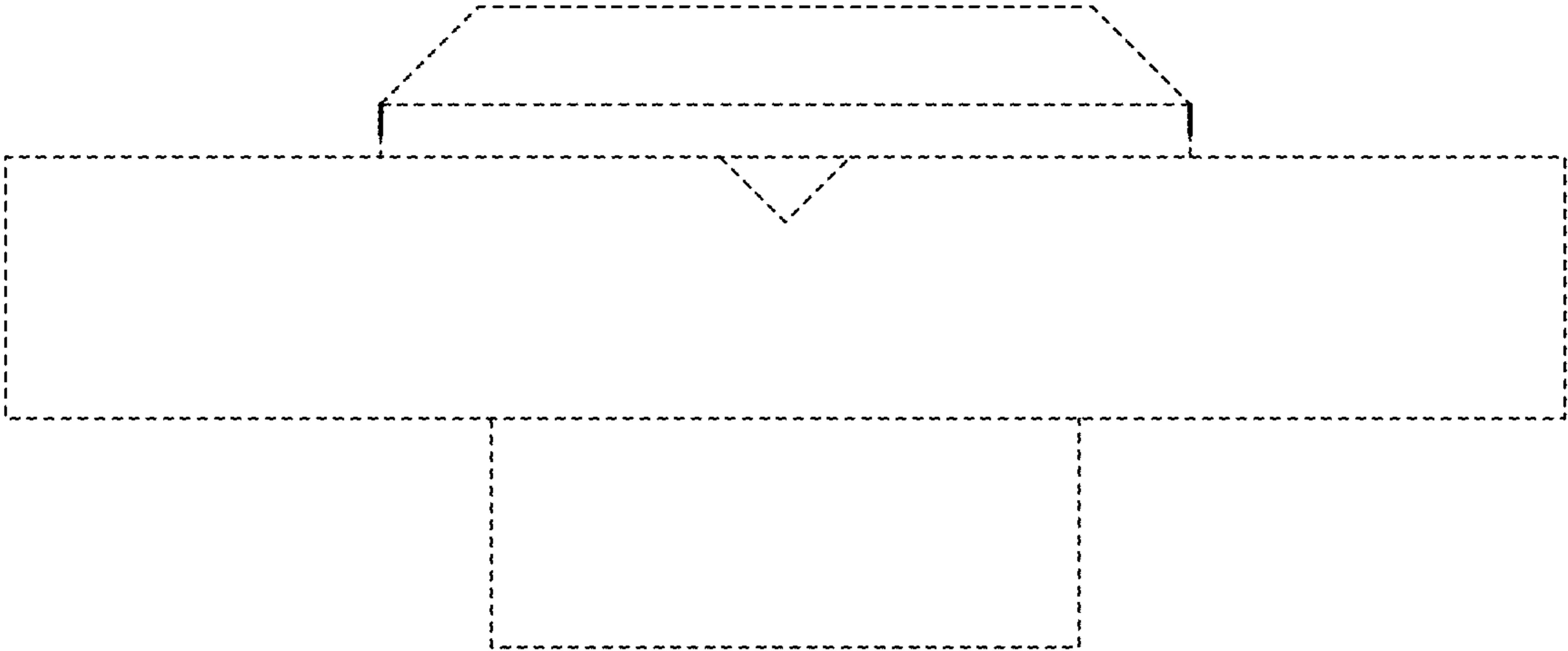


FIG. 23

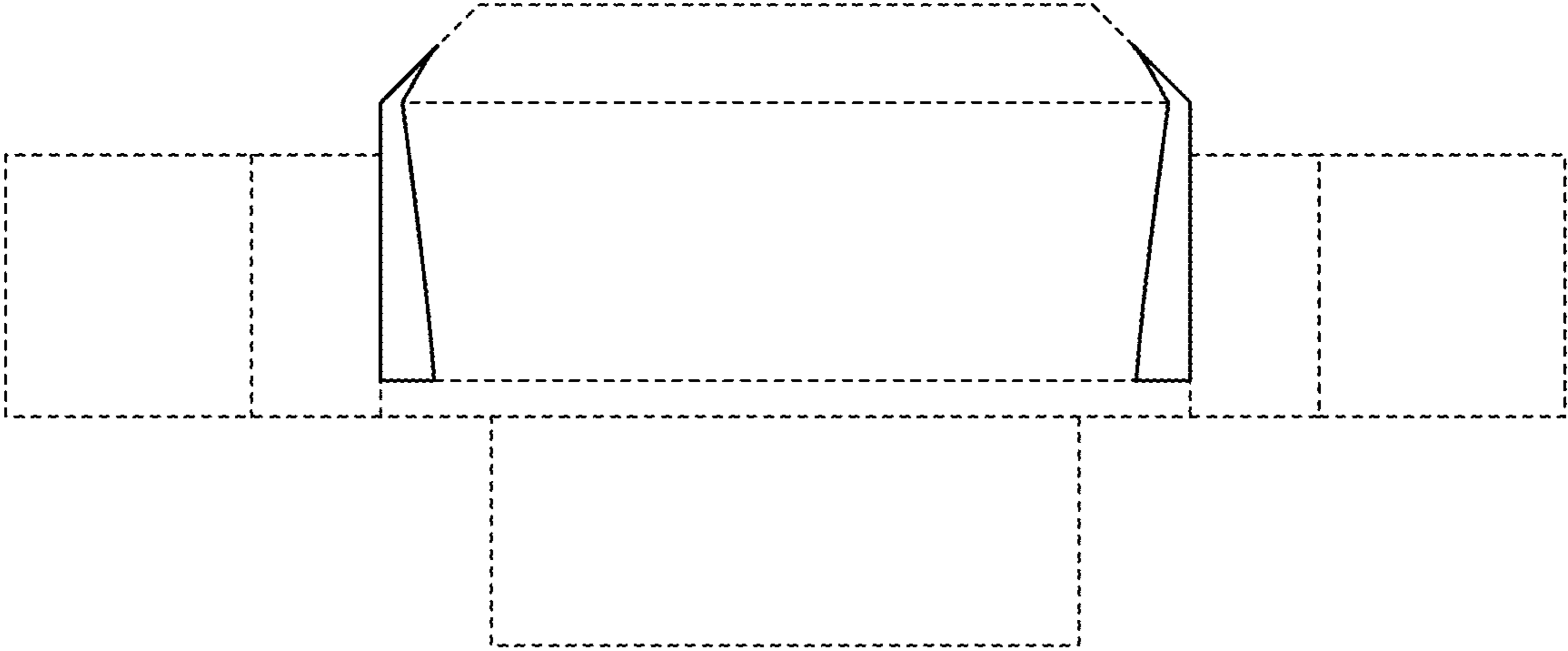


FIG. 24