



US00D896606S

(12) **United States Design Patent**
Hung

(10) **Patent No.:** **US D896,606 S**

(45) **Date of Patent:** **** Sep. 22, 2020**

- (54) **CUTTER**
- (71) Applicant: **SIANG SYUAN FU ENTERPRISE CO., LTD.**, Changhua County (TW)
- (72) Inventor: **Hung-Chih Hung**, Changhua County (TW)
- (73) Assignee: **SIANG SYUAN FU ENTERPRISE CO., LTD.**, Changhua County (TW)
- (**) Term: **15 Years**
- (21) Appl. No.: **29/677,914**
- (22) Filed: **Jan. 24, 2019**

- 4,805,302 A * 2/1989 Steiner H02G 1/1224
30/90.1
 - 4,837,931 A * 6/1989 Beermann A24F 13/24
30/92
 - D326,214 S * 5/1992 Hepworth D8/98
 - 5,381,601 A * 1/1995 Danter H02G 1/1224
30/90.1
 - D405,336 S * 2/1999 Hepworth D8/98
 - 5,956,853 A 9/1999 Watamura
 - D414,665 S * 10/1999 Longo D8/60
 - 6,058,606 A * 5/2000 Hepworth H02G 1/1224
30/90.1
 - D435,209 S * 12/2000 Parsons D8/98
 - 6,513,245 B1 2/2003 Aubriot
- (Continued)

Related U.S. Application Data

- (63) Continuation-in-part of application No. 15/586,915, filed on May 4, 2017, now abandoned.
- (51) **LOC (12) Cl.** **08-03**
- (52) **U.S. Cl.**
USPC **D8/98**
- (58) **Field of Classification Search**
USPC D8/14, 51, 98
CPC H02G 1/1224; B26D 3/169; A24F 13/24;
A24F 13/26; B23D 21/06; B23D 21/08;
B23D 21/10; B23D 21/12
See application file for complete search history.

References Cited

U.S. PATENT DOCUMENTS

- 1,485,399 A 3/1924 Longworth
- 2,817,255 A 12/1957 Lormeau
- 3,114,277 A 12/1963 Clendenin
- 3,143,905 A 8/1964 Ramseier et al.
- 4,146,959 A 4/1979 Hopper
- 4,742,616 A 5/1988 Lippert
- 4,799,406 A * 1/1989 Diaz-De-Guerenu-
Aguirrebeitia H02G 1/1224
30/90.1

FOREIGN PATENT DOCUMENTS

FR 2821580 A1 9/2002

Primary Examiner — Philip S Hyder

(74) *Attorney, Agent, or Firm* — Muncy, Geissler, Olds & Lowe, P.C.

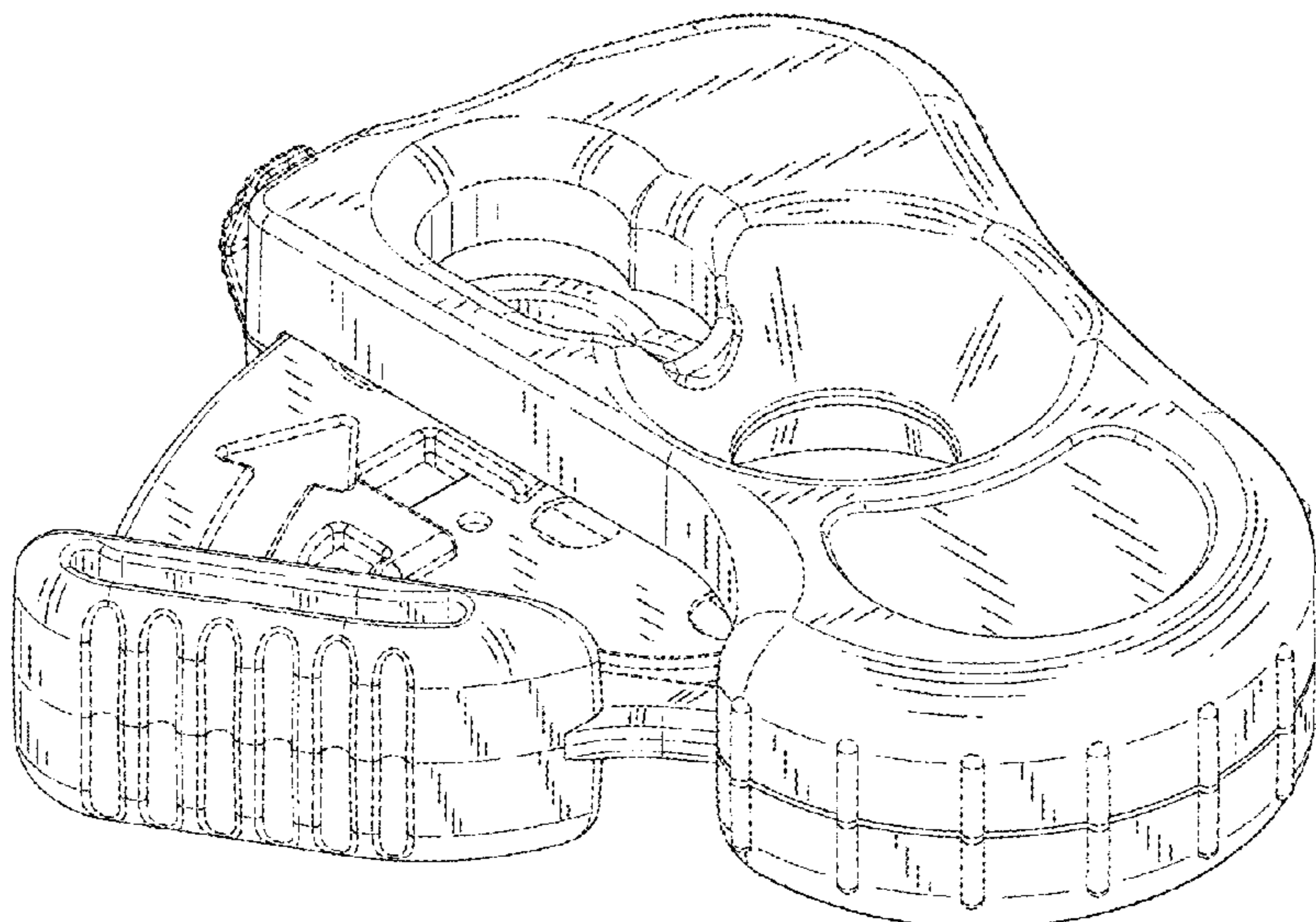
(57) **CLAIM**

I claim the ornamental design for a cutter, as shown and described.

DESCRIPTION

FIG. 1 is a top, front, right perspective view of a cutter showing my new design;
 FIG. 2 is a front view thereof;
 FIG. 3 is a rear view thereof;
 FIG. 4 is a left view thereof;
 FIG. 5 is a right view thereof;
 FIG. 6 is a top plan view thereof;
 FIG. 7 is a bottom plan view thereof;
 FIG. 8 a top, front, left perspective view thereof; and,
 FIG. 9 is an exploded perspective view of the cutter.
 The broken lines depict portions of the cutter in which the design is embodied that are not considered part of the claimed design.

1 Claim, 7 Drawing Sheets



(56)

References Cited

U.S. PATENT DOCUMENTS

D481,607 S * 11/2003 Ahlgren D8/51
D688,927 S * 9/2013 Wong D8/52
8,601,697 B2 12/2013 Whittaker
D749,391 S * 2/2016 Payne D8/98
9,425,593 B2 * 8/2016 Lin H02G 1/1224
2007/0175048 A1 8/2007 Holley et al.
2012/0102752 A1 5/2012 Steele et al.
2014/0094773 A1 4/2014 Lampropoulos et al.

* cited by examiner

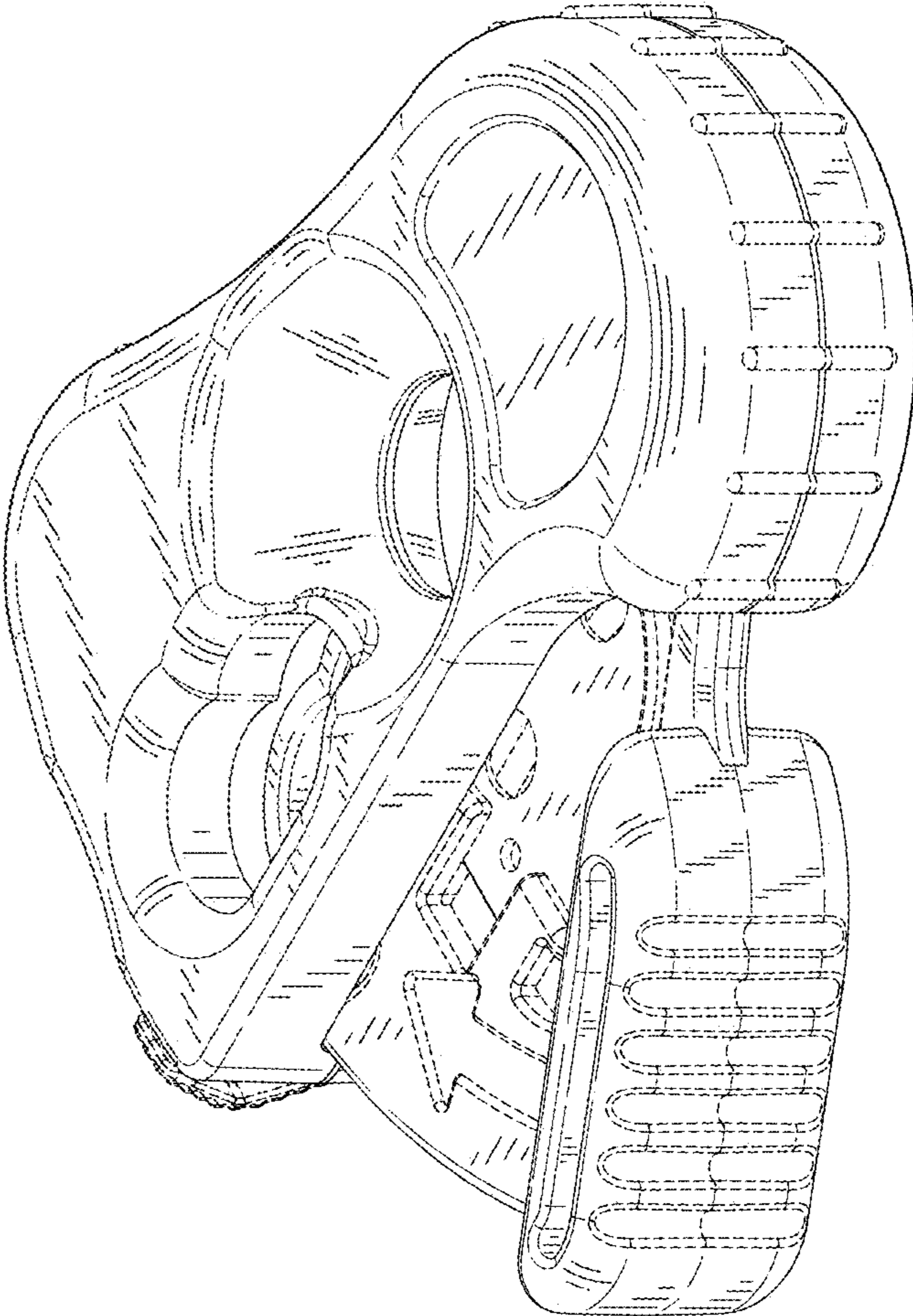


FIG. 1

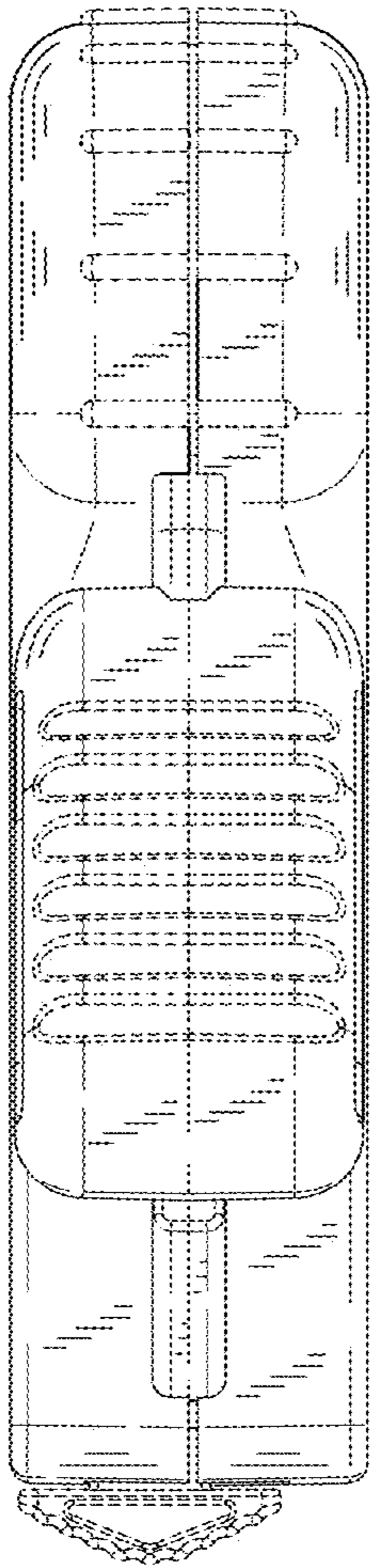


FIG. 2

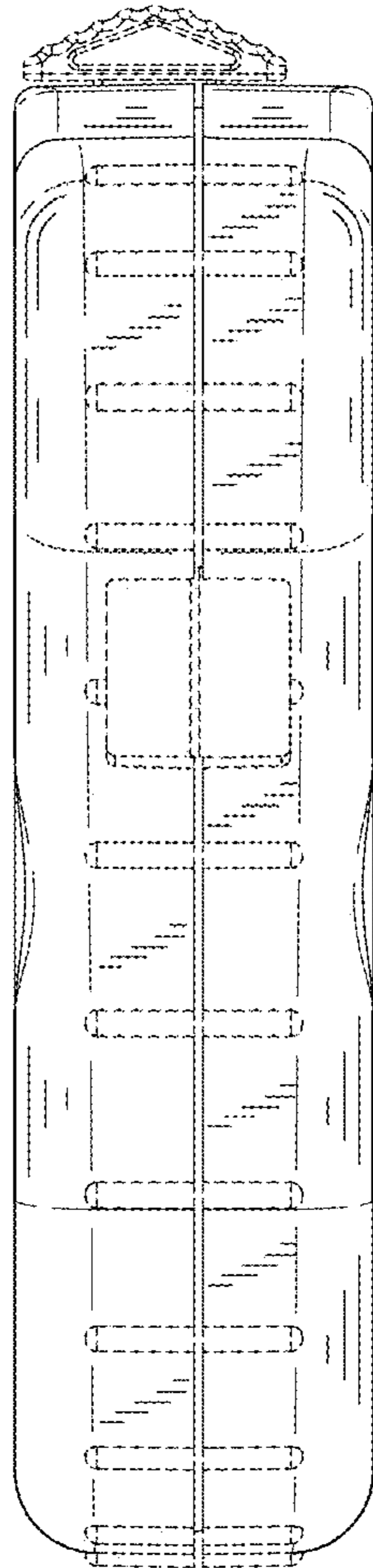


FIG. 3

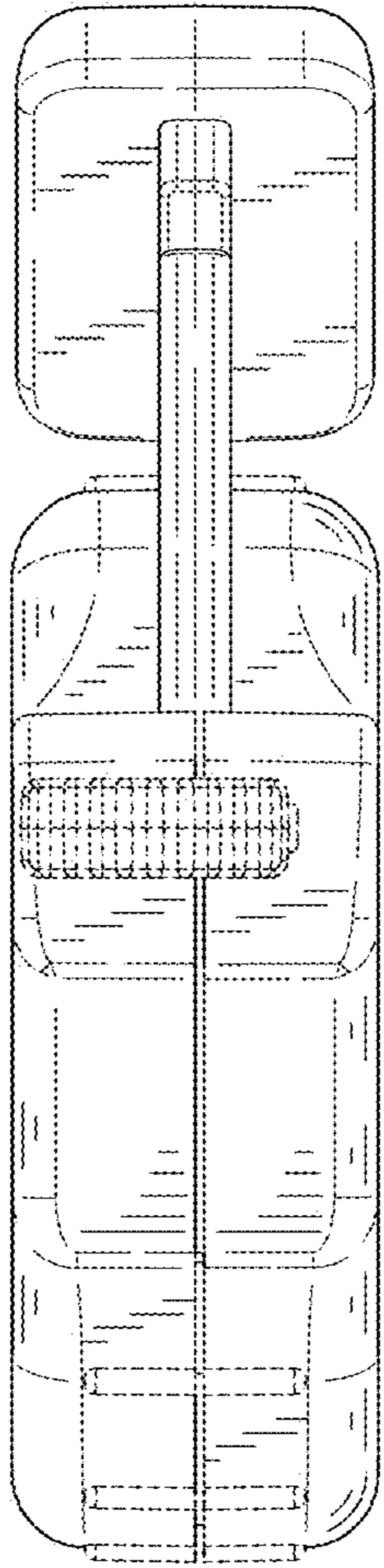


FIG. 4

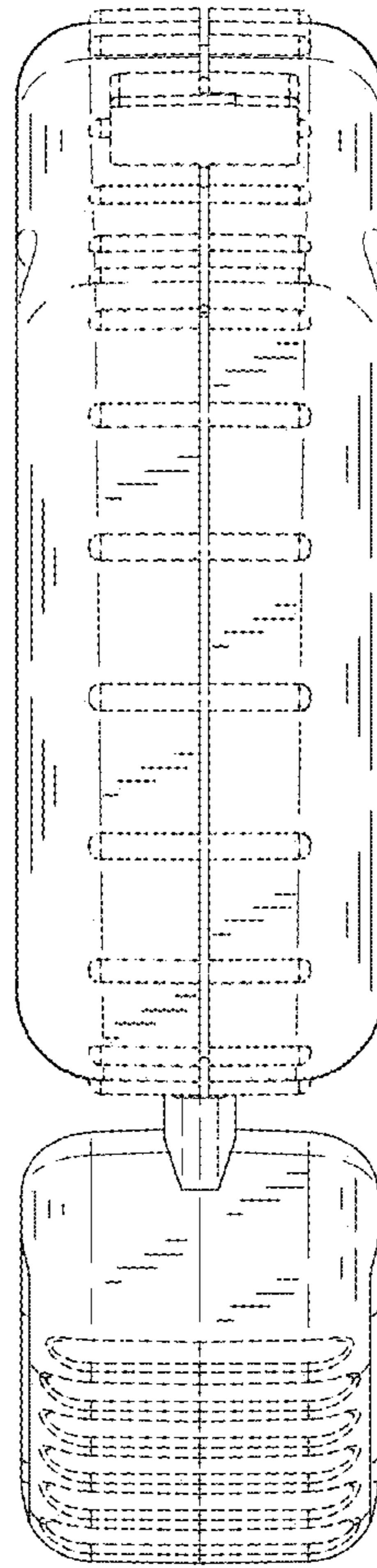


FIG. 5

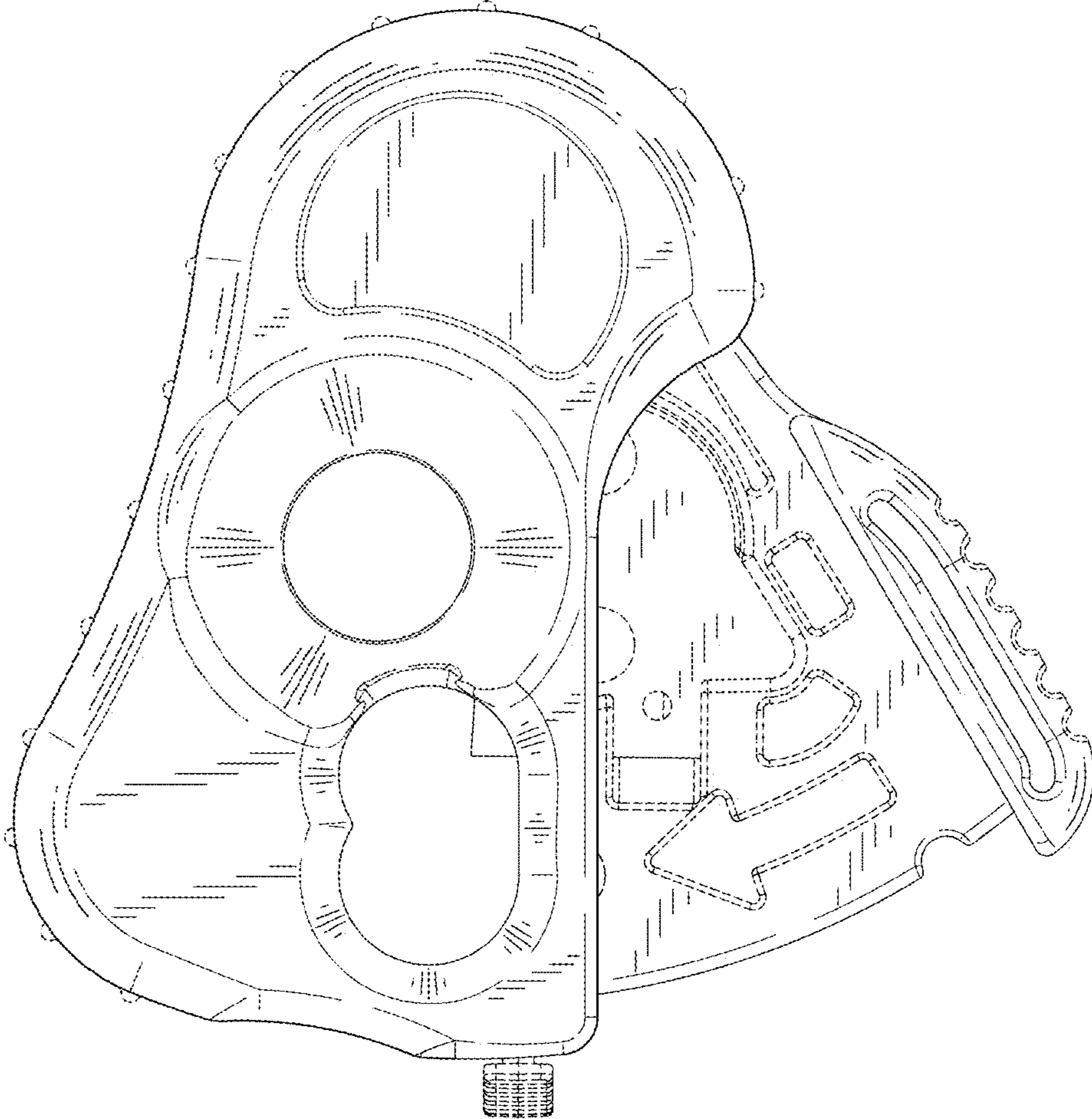


FIG. 6

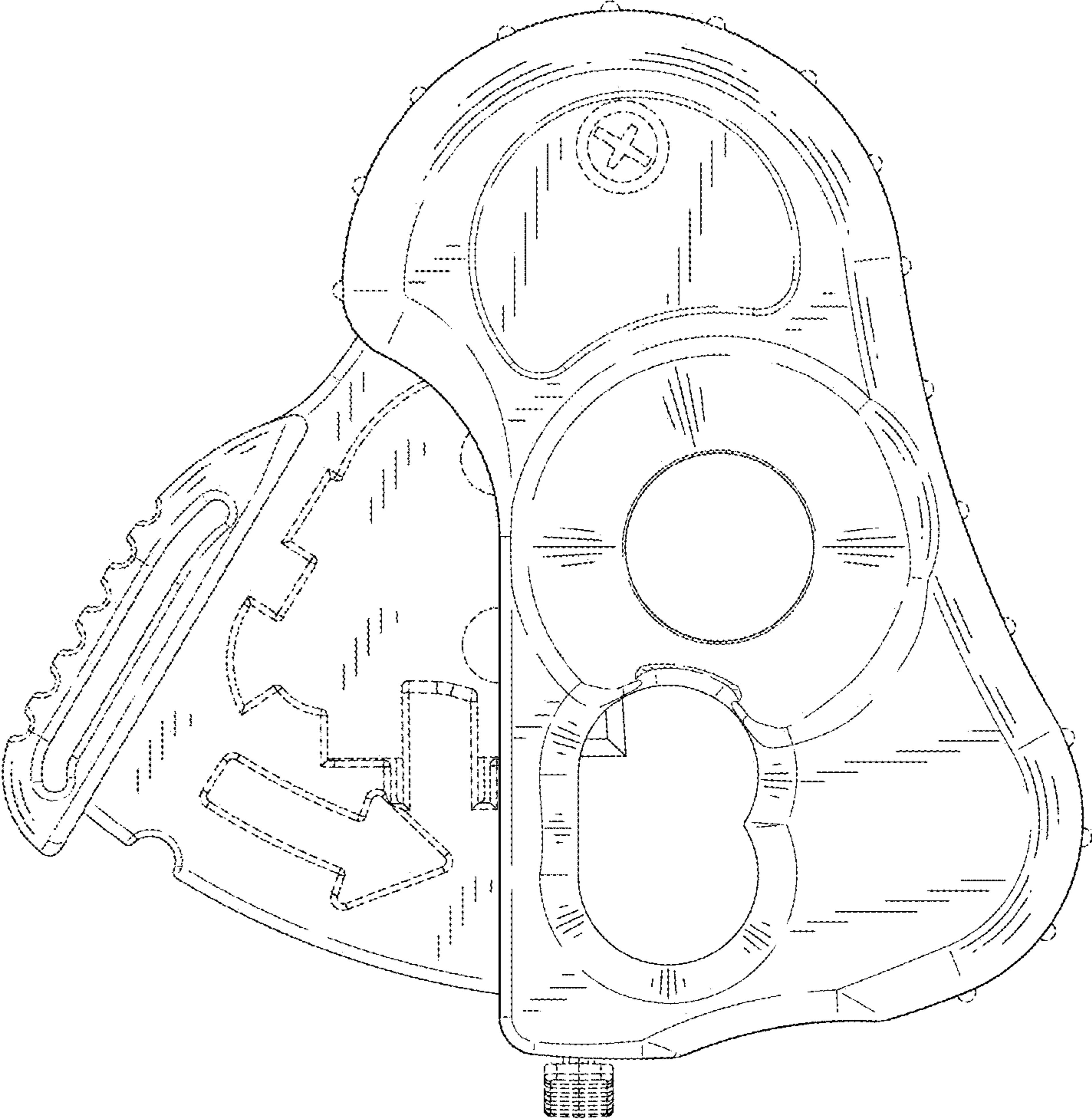


FIG. 7

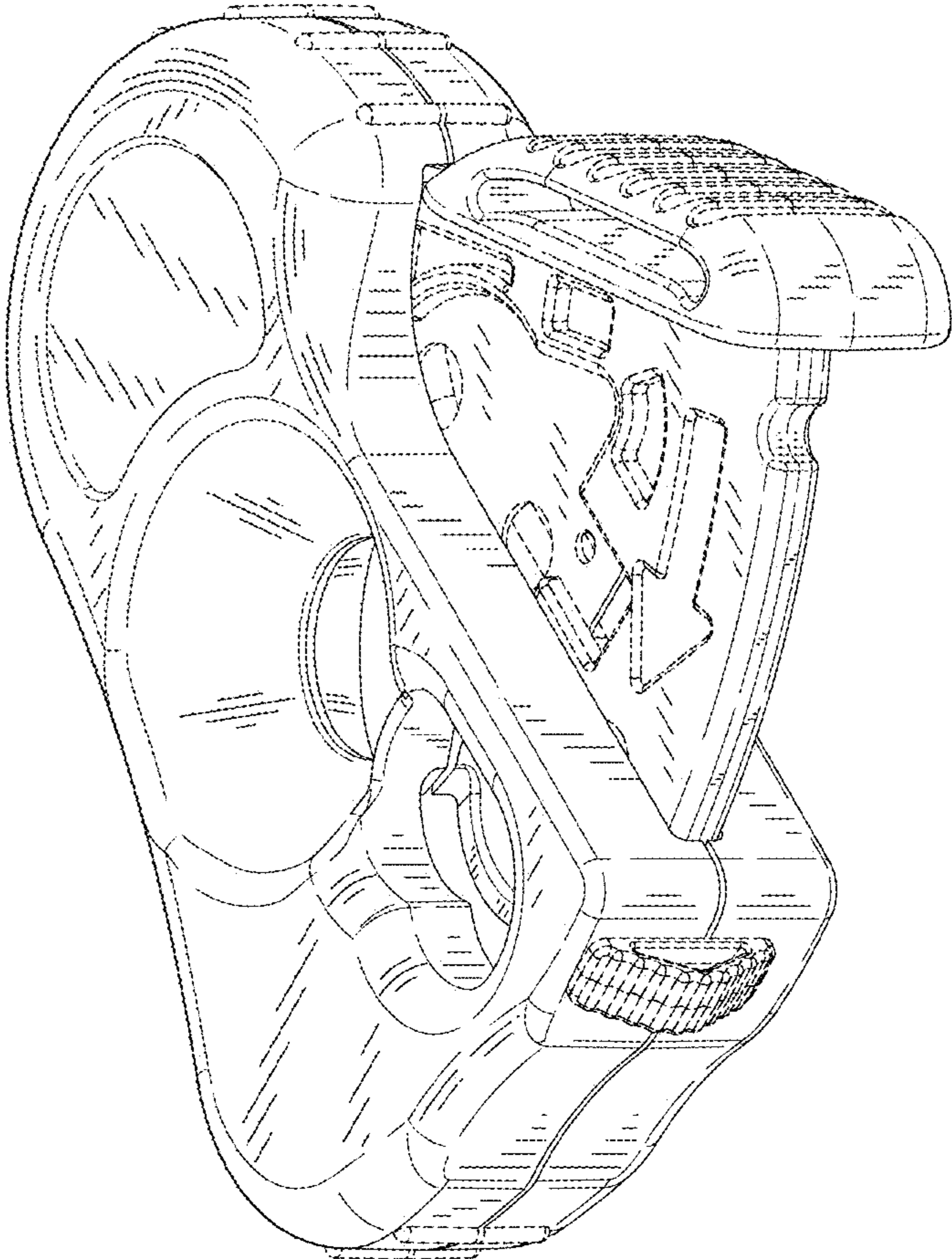


FIG. 8

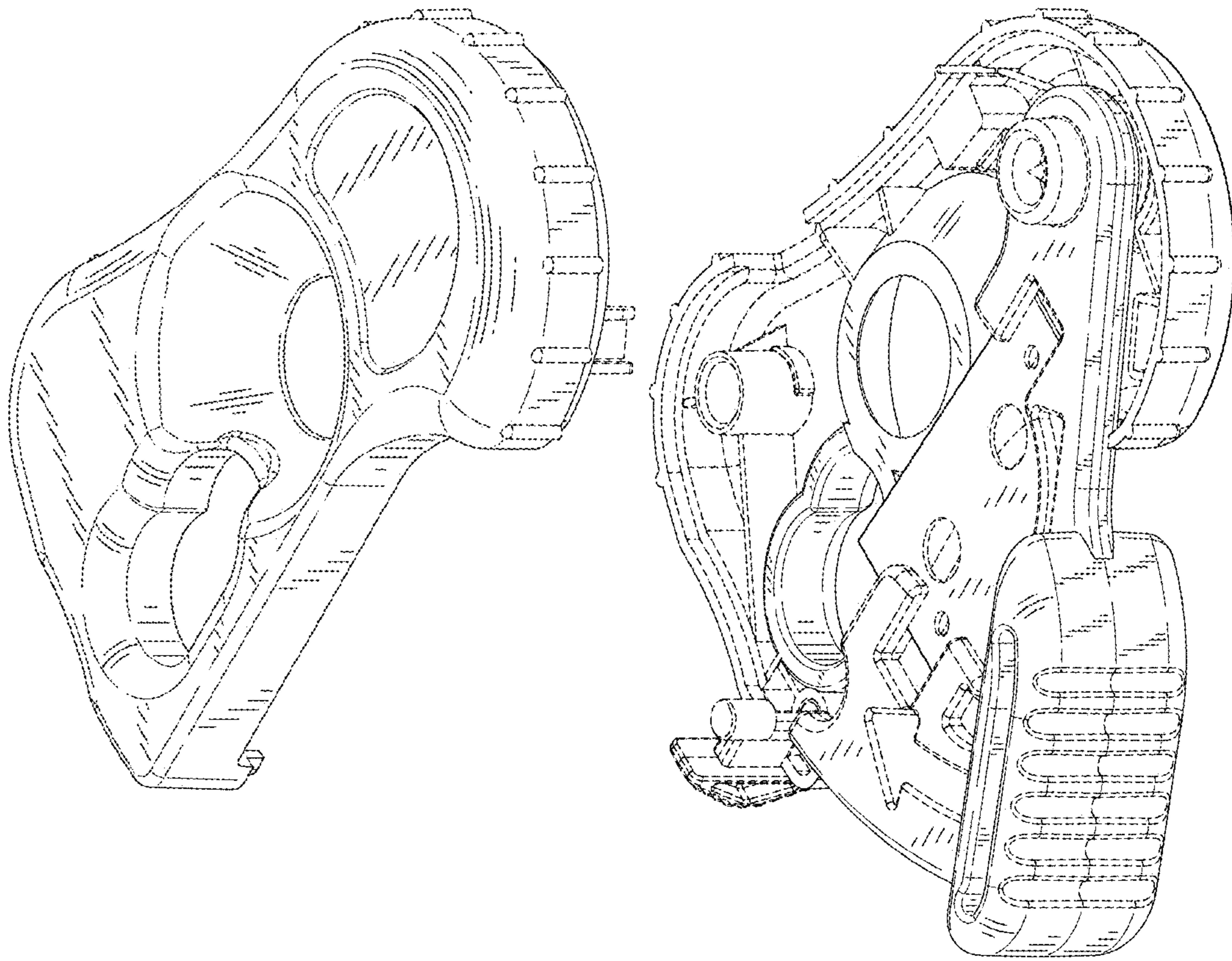


FIG. 9