



US00D896605S

(12) **United States Design Patent** (10) **Patent No.:** **US D896,605 S**
Seferi (45) **Date of Patent:** **** Sep. 22, 2020**

(54) **SAFETY CUTTER**
(71) Applicant: **Acme United Corporation**, Fairfield, CT (US)
(72) Inventor: **Nicholas L. Seferi**, Southbury, CT (US)
(73) Assignee: **Acme United Corporation**, Fairfield, CT (US)
(**) Term: **15 Years**
(21) Appl. No.: **29/665,300**
(22) Filed: **Oct. 2, 2018**
(51) **LOC (12) Cl.** **08-03**
(52) **U.S. Cl.**
USPC **D8/98**
(58) **Field of Classification Search**
USPC D8/98, 99, 100, 101, 102
CPC B26B 29/00; B26B 3/08; B26B 29/06;
B26B 5/00; B26B 5/006; B26B 5/005;
B26B 1/00; B26B 1/02; B26B 1/04;
B26B 1/042; B26B 1/044; B26B 1/048;
B26B 1/08; B26B 1/10
See application file for complete search history.

(56) **References Cited**
U.S. PATENT DOCUMENTS
D714,611 S * 10/2014 Yu Chen D8/98
D784,107 S * 4/2017 Chen D8/98
D802,394 S * 11/2017 Yu Chen D8/98
D817,142 S * 5/2018 Rohrbach D8/98
D817,143 S * 5/2018 Rohrbach D8/98
D863,824 S * 10/2019 Comercio D6/601
2010/0263219 A1 * 10/2010 Kempker B25F 1/02
30/337
2014/0173914 A1 * 6/2014 Yu Chen B26B 27/005
30/278

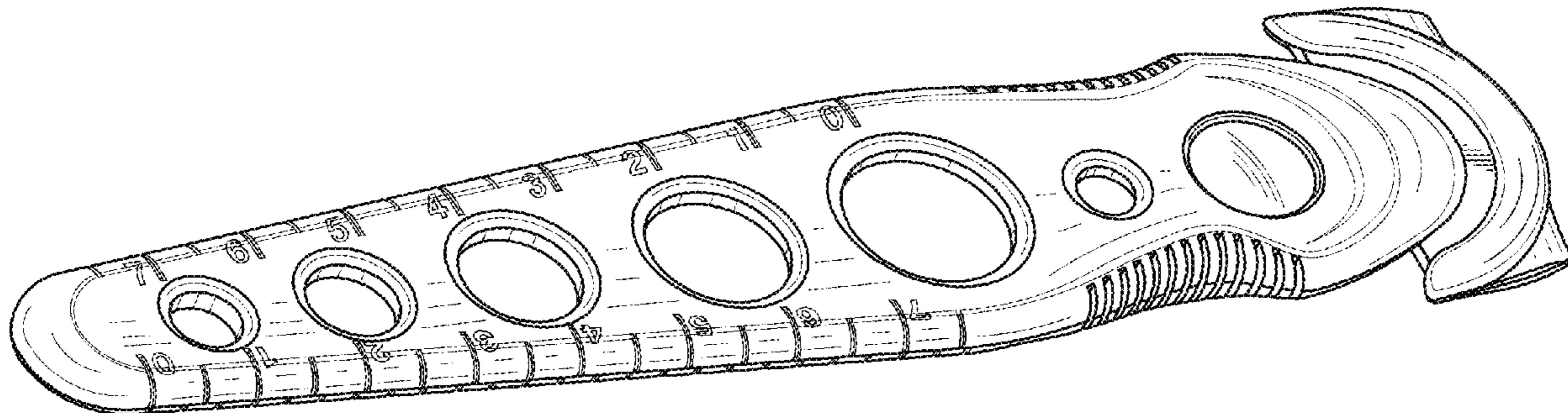
2014/0345146 A1* 11/2014 Schekalla B26B 3/00
30/169
2015/0298330 A1* 10/2015 Yu Chen B26B 27/005
30/280
2017/0197320 A1* 7/2017 Chen B26B 11/006
2018/0085932 A1* 3/2018 Yu Chen B26B 11/006
2018/0229380 A1* 8/2018 Gringer B26B 27/005

* cited by examiner
Primary Examiner — Philip S Hyder
(74) *Attorney, Agent, or Firm* — Alix, Yale & Ristas, LLP

(57) **CLAIM**
The ornamental design for a safety cutter, as shown and described.

DESCRIPTION
FIG. 1 is a perspective of a safety cutter showing the new design;
FIG. 2 is a second perspective view thereof;
FIG. 3 is a front view thereof;
FIG. 4 is a rear view thereof;
FIG. 5 is a right side view thereof;
FIG. 6 is a left side view thereof;
FIG. 7 is an enlarged top plan view thereof;
FIG. 8 is an enlarged bottom plan view thereof;
FIG. 9 is a perspective of a second embodiment showing the new design;
FIG. 10 is a second perspective view thereof;
FIG. 11 is a front view thereof;
FIG. 12 is a rear view thereof;
FIG. 13 is a right side view thereof;
FIG. 14 is a left side view thereof;
FIG. 15 is an enlarged top plan view thereof; and,
FIG. 16 is an enlarged bottom plan view thereof.

1 Claim, 8 Drawing Sheets



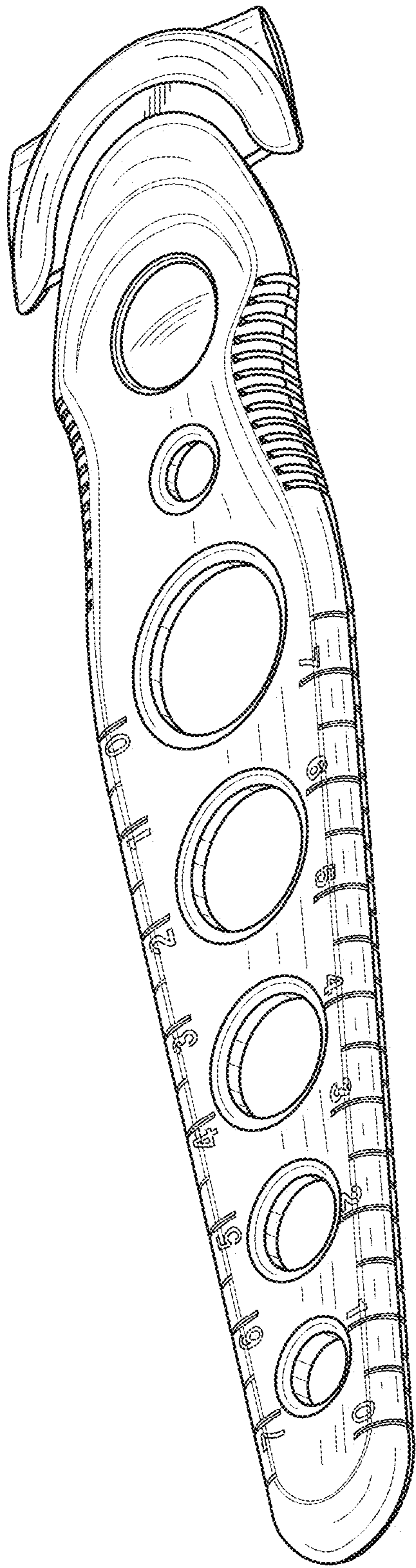


FIG. 1

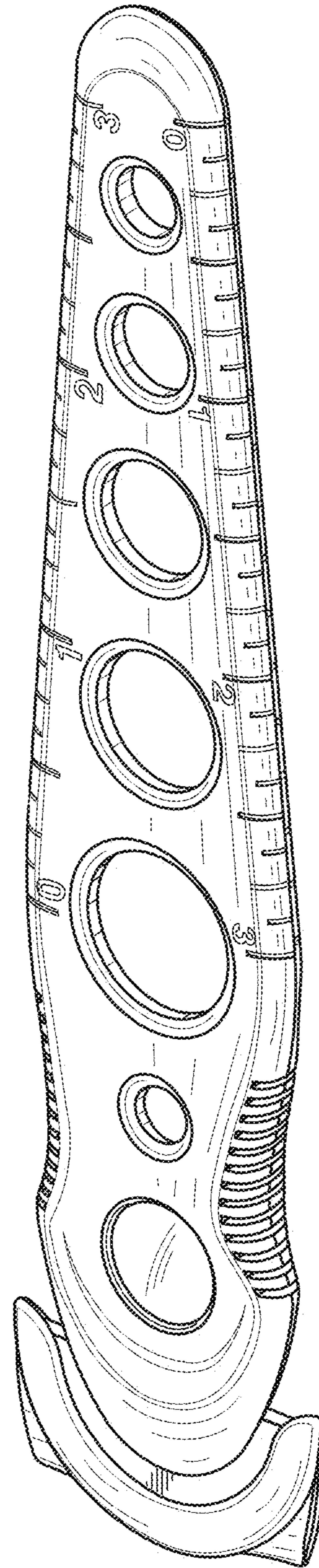


FIG. 2

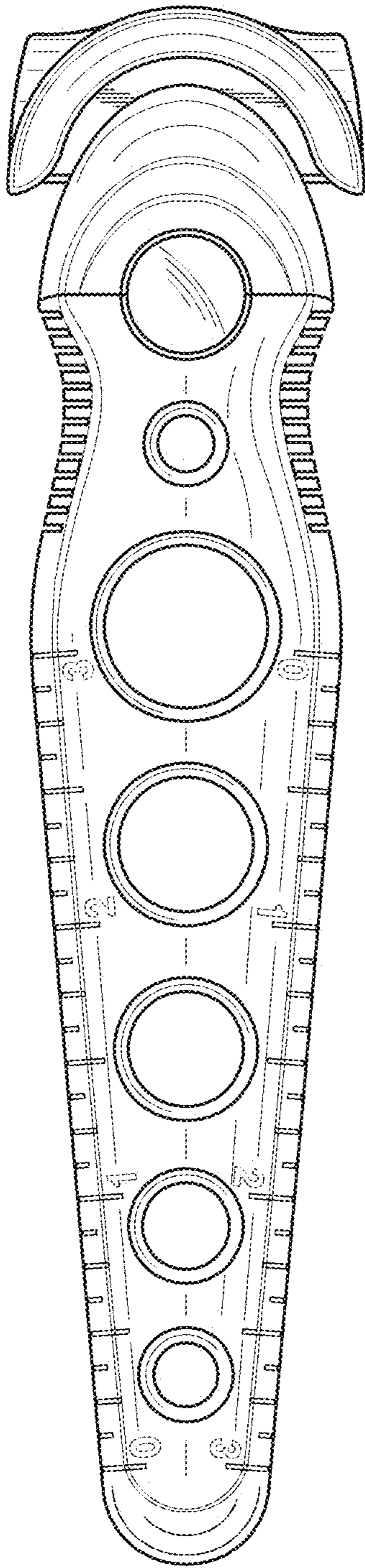


FIG. 3

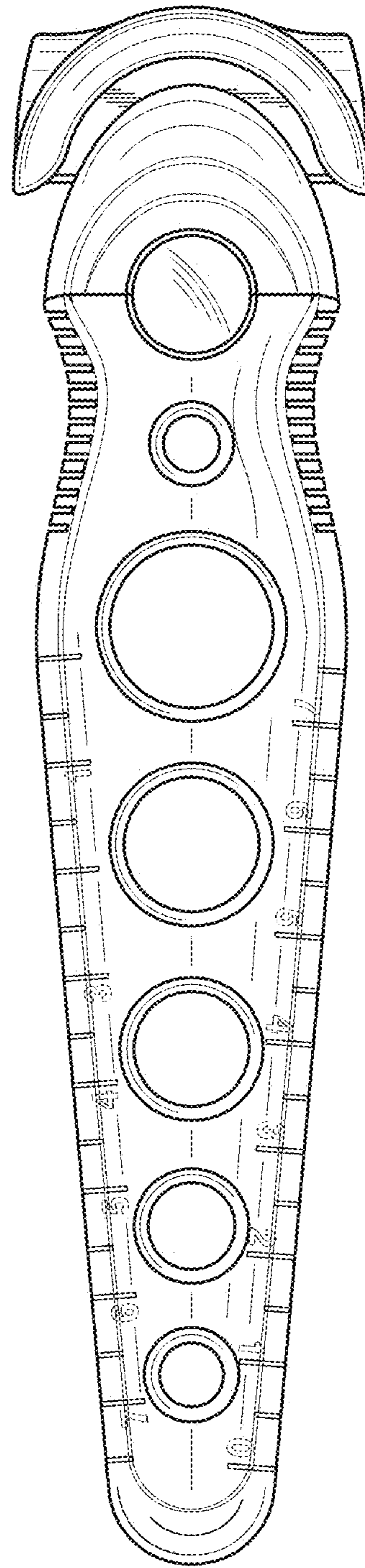


FIG. 4

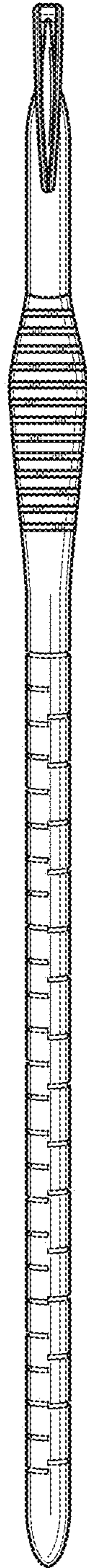


FIG. 5

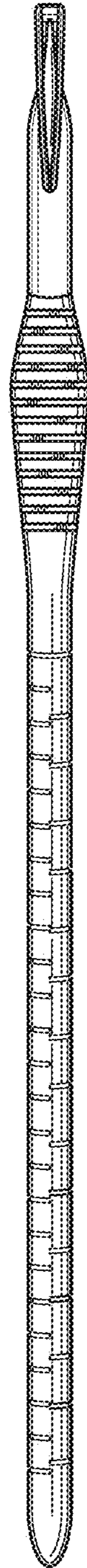


FIG. 6

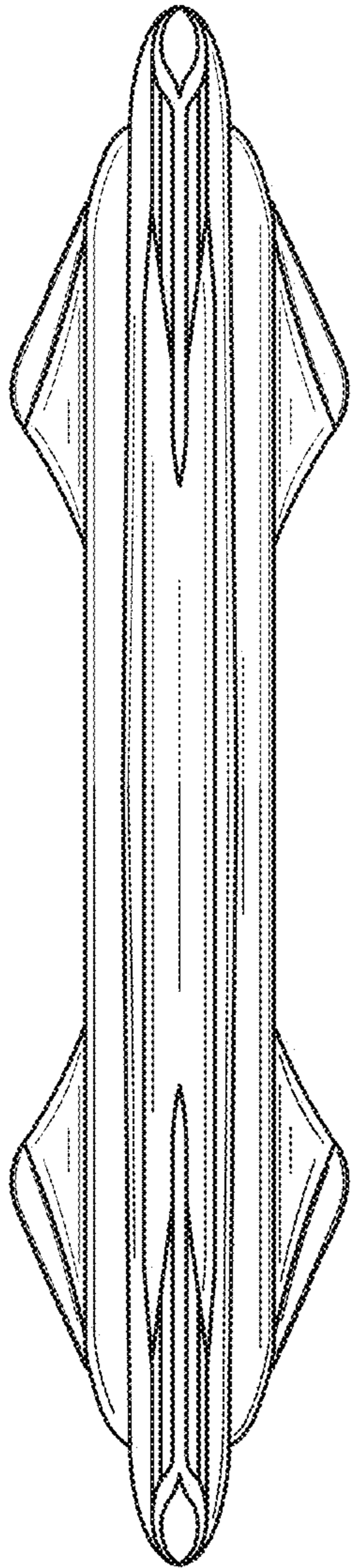


FIG. 7

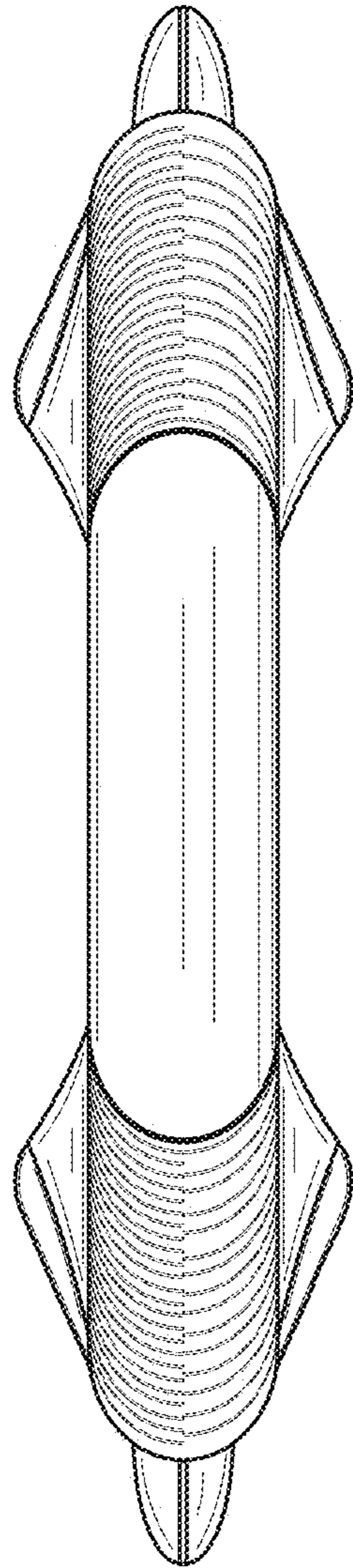


FIG. 8

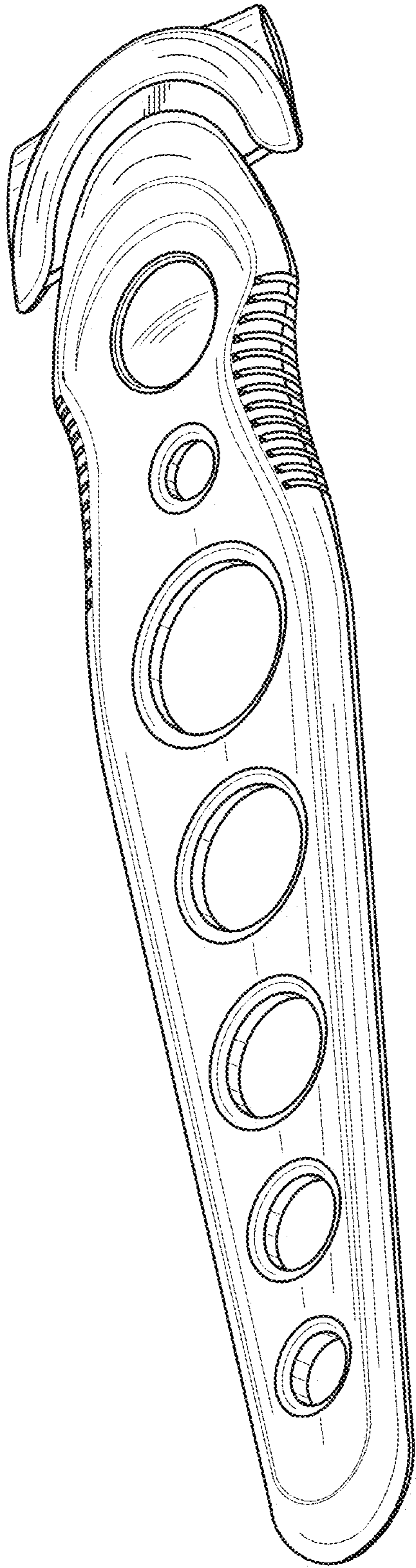


FIG. 9

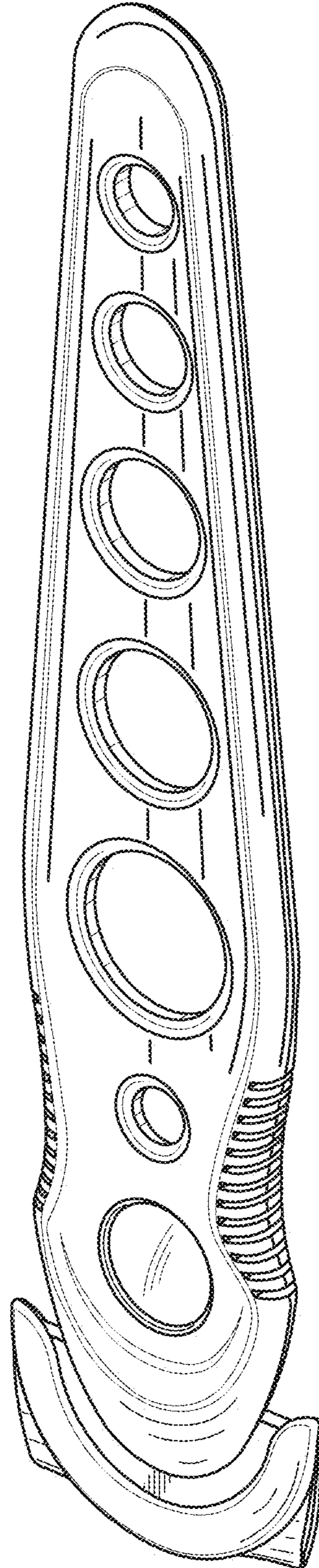


FIG. 10

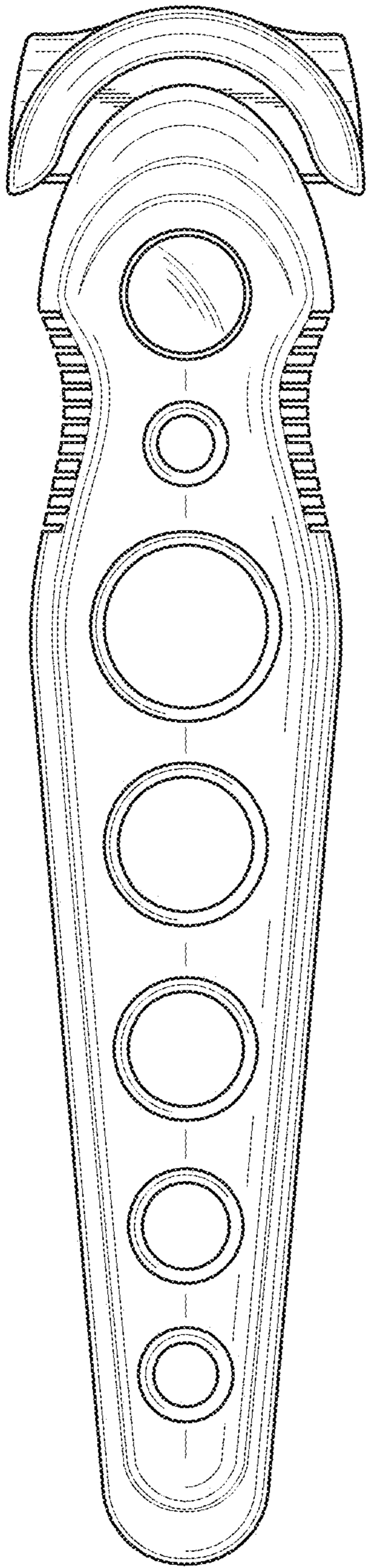


FIG. 11

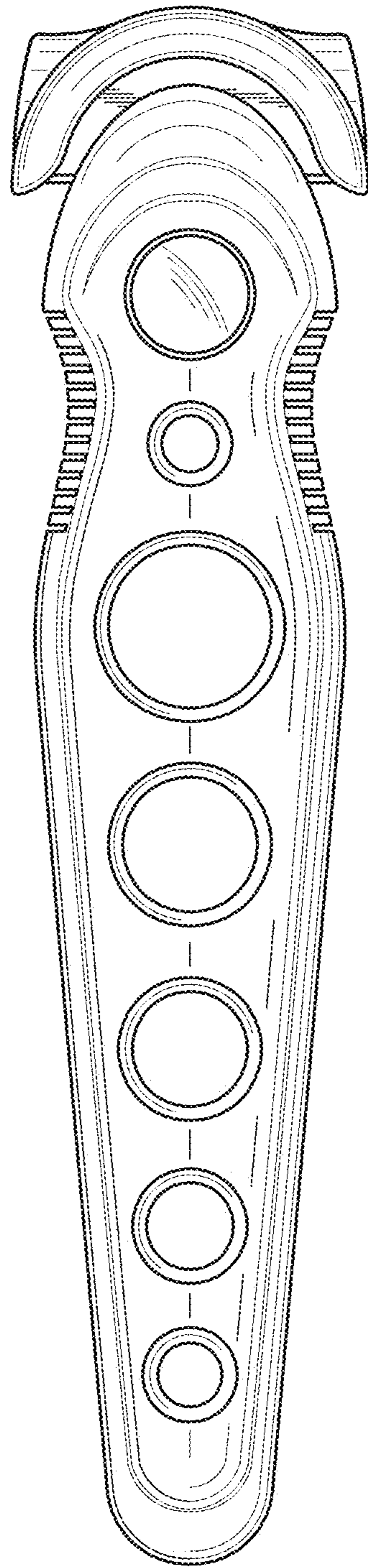


FIG. 12

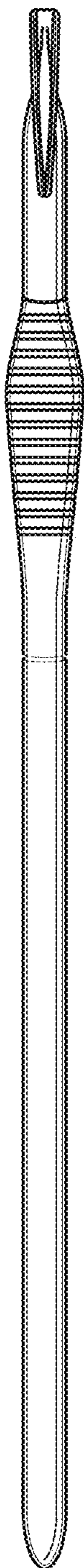


FIG. 13

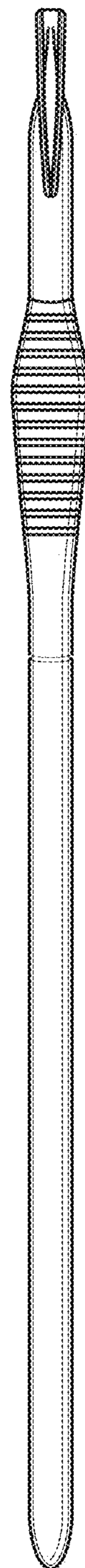


FIG. 14

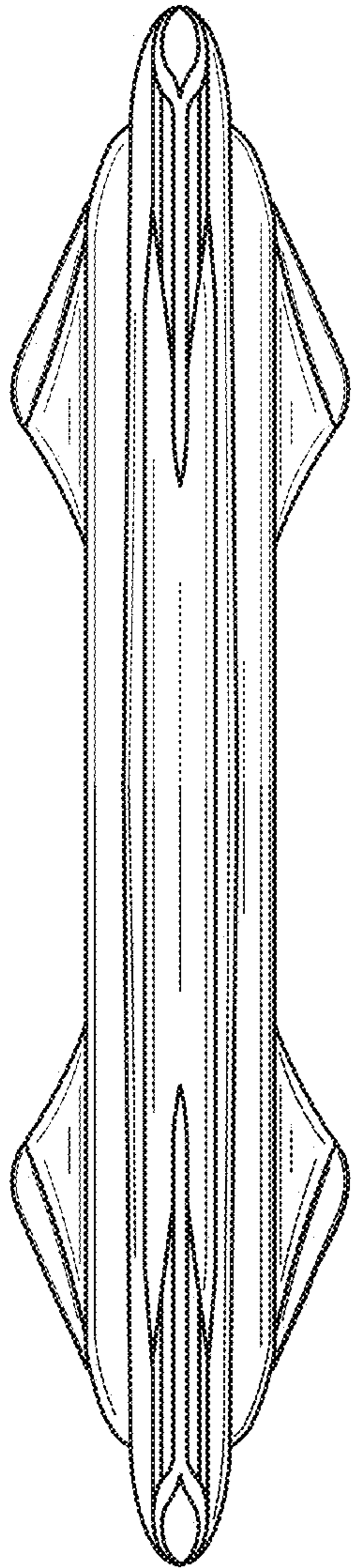


FIG. 15

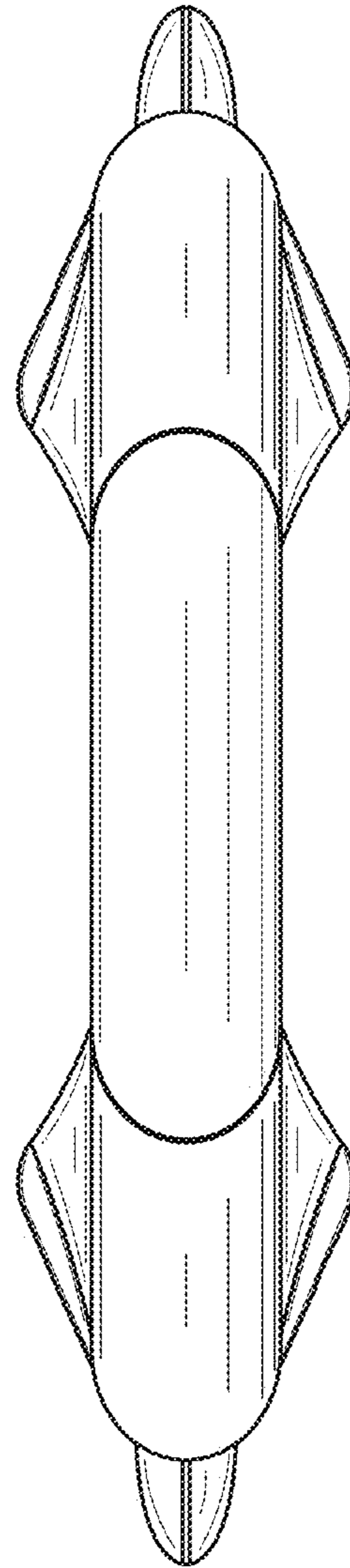


FIG. 16