



US00D896604S

(12) **United States Design Patent** (10) **Patent No.:** **US D896,604 S**  
**Hasenmayer et al.** (45) **Date of Patent:** **\*\* Sep. 22, 2020**

- (54) **HAMMER DRILL**
- (71) Applicant: **Robert Bosch GmbH**, Stuttgart (DE)
- (72) Inventors: **Vincent Hasenmayer**,  
Stuttgart-Möhringen (DE); **Vlada  
Nikolic**, Esslingen am Neckar (DE)
- (73) Assignee: **Robert Bosch GmbH**, Stuttgart (DE)
- (\*\*) Term: **15 Years**
- (21) Appl. No.: **29/688,912**
- (22) Filed: **Apr. 25, 2019**
- (30) **Foreign Application Priority Data**

Dec. 11, 2018 (EM) ..... 005880531

- (51) **LOC (12) Cl.** ..... **08-05**
- (52) **U.S. Cl.**  
USPC ..... **D8/69**
- (58) **Field of Classification Search**  
USPC ..... D8/14.1, 61-70  
CPC ..... B25D 16/00; B25D 17/02; B25D 11/125  
See application file for complete search history.

(56) **References Cited**

**U.S. PATENT DOCUMENTS**

- D524,626 S \* 7/2006 Stirm ..... D8/69  
D527,601 S \* 9/2006 Stirm ..... D8/69  
D535,537 S \* 1/2007 Aglassinger ..... D8/69  
D540,642 S \* 4/2007 Stirm ..... D8/69  
D543,082 S \* 5/2007 Stirm ..... D8/69  
D575,606 S \* 8/2008 Okouchi ..... D8/69  
D581,235 S \* 11/2008 Aglassinger ..... D8/69  
D663,183 S \* 7/2012 Sell ..... D8/69  
D676,731 S \* 2/2013 Aglassinger ..... D8/69  
8,430,181 B2 \* 4/2013 Stirm ..... B25D 16/003  
173/47  
D691,011 S \* 10/2013 Walz ..... D8/68  
D695,086 S \* 12/2013 Walz ..... D8/68

- D740,636 S \* 10/2015 Koeniger ..... D8/69  
D762,435 S \* 8/2016 Itoh ..... D8/69  
D815,933 S \* 4/2018 Koeniger ..... D8/69  
9,950,419 B2 \* 4/2018 Rompel ..... B25D 16/00  
D830,808 S \* 10/2018 Tamura ..... D8/69  
D838,157 S \* 1/2019 Suzuki ..... D8/69  
D843,189 S \* 3/2019 Koniger ..... D8/69  
D843,190 S \* 3/2019 Koniger ..... D8/69  
D851,474 S \* 6/2019 Koeniger ..... D8/69  
D855,430 S \* 8/2019 Koeniger ..... D8/69  
2014/0318821 A1 \* 10/2014 Wyler ..... B25D 11/125  
173/104

\* cited by examiner

*Primary Examiner* — Darlington Ly

(74) *Attorney, Agent, or Firm* — Maginot, Moore & Beck  
LLP

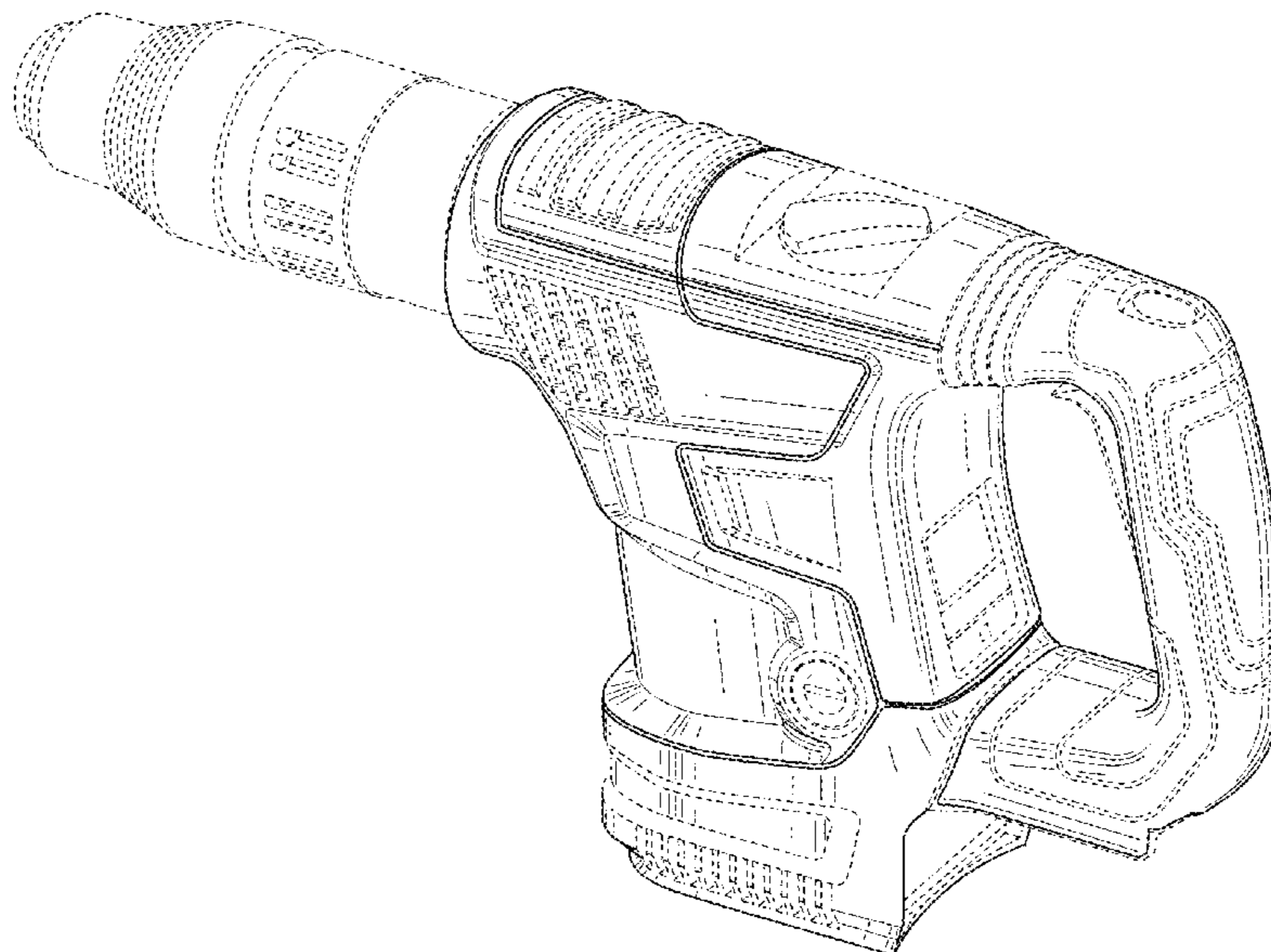
(57) **CLAIM**

The ornamental design for a hammer drill, as shown and described.

**DESCRIPTION**

Cross reference is made to copending U.S. design patent application ser. no. 29/688,913 entitled "Power Tool" by Hasenmayer et al., which was filed on even date herewith. FIG. 1 is a top, rear, and left side perspective view of a hammer drill showing my new design; FIG. 2 is a front elevation view thereof; FIG. 3 is a rear elevation view thereof; FIG. 4 is a left side elevation view thereof; FIG. 5 is a right side elevation view thereof; FIG. 6 is a top plan view thereof; and, FIG. 7 is a bottom plan view thereof. The broken lines in the figures illustrate portions of the hammer drill that form no part of the claimed design.

**1 Claim, 5 Drawing Sheets**



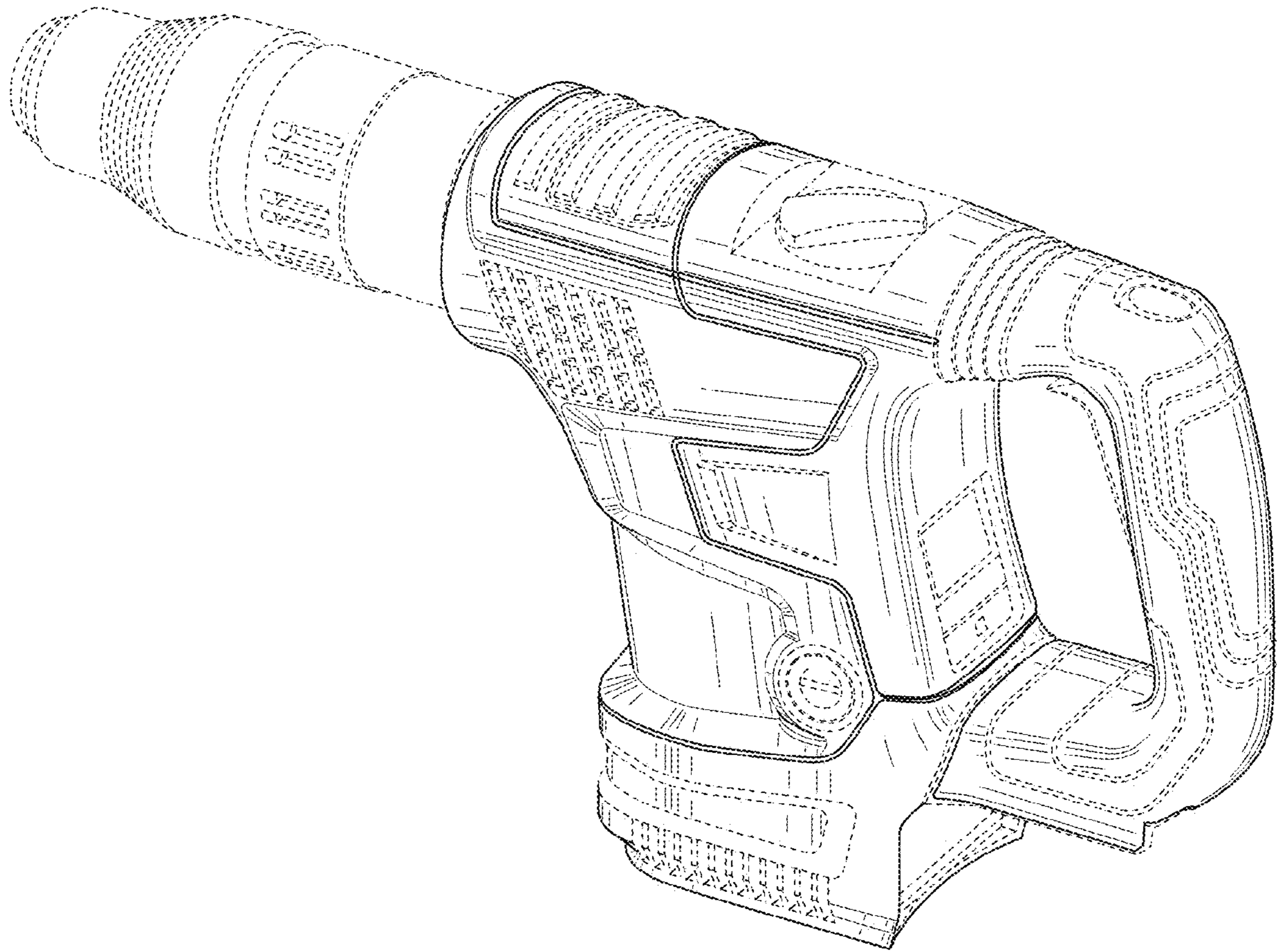


FIG. 1

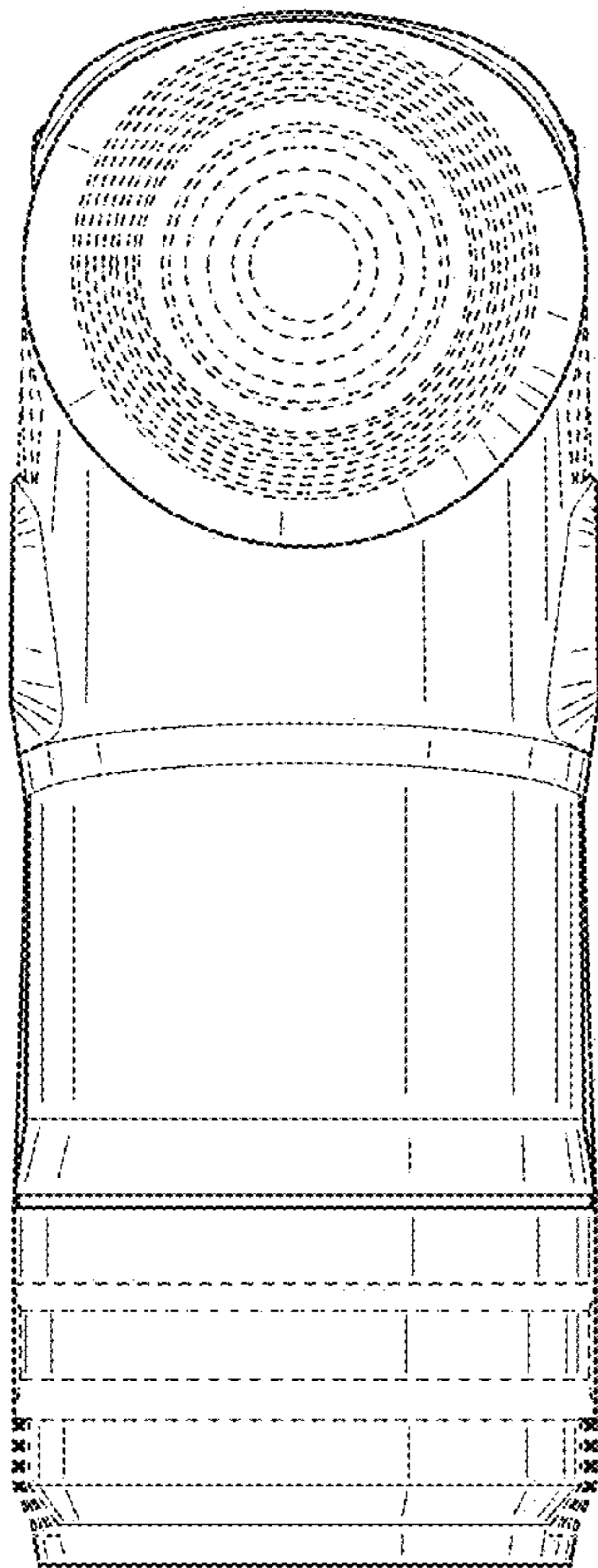


FIG. 2

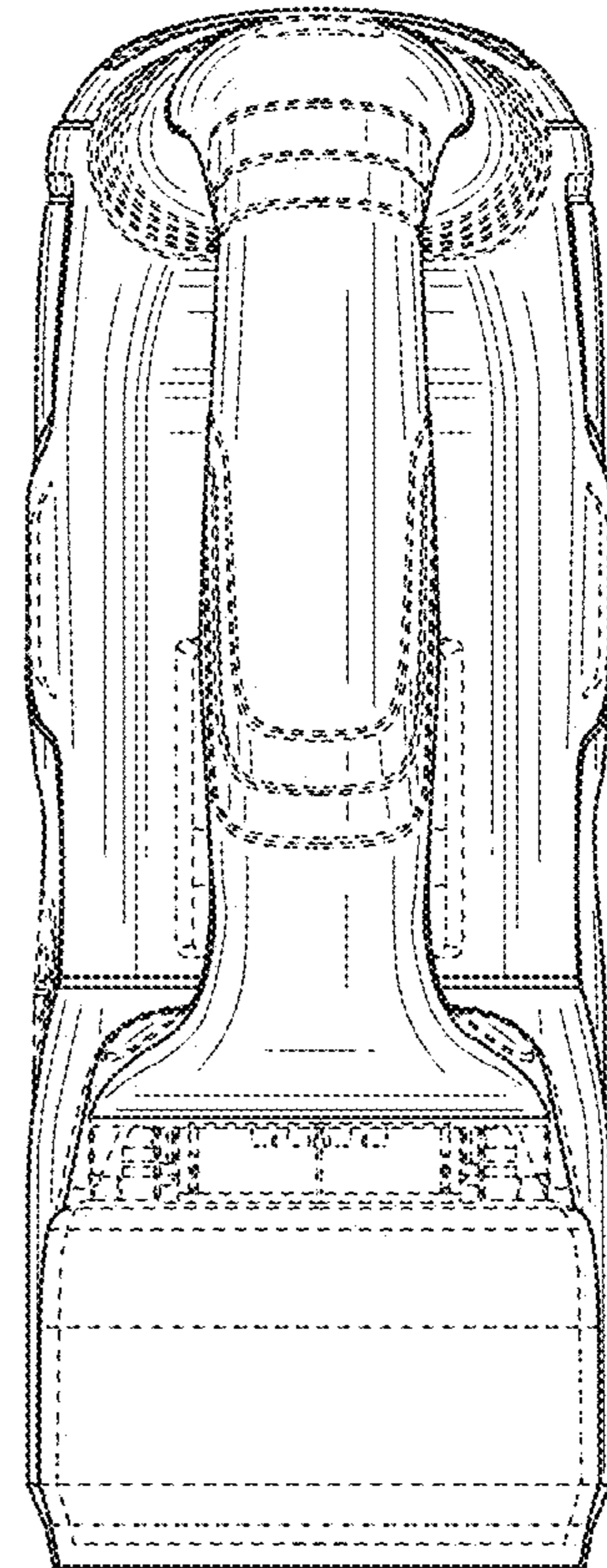


FIG. 3

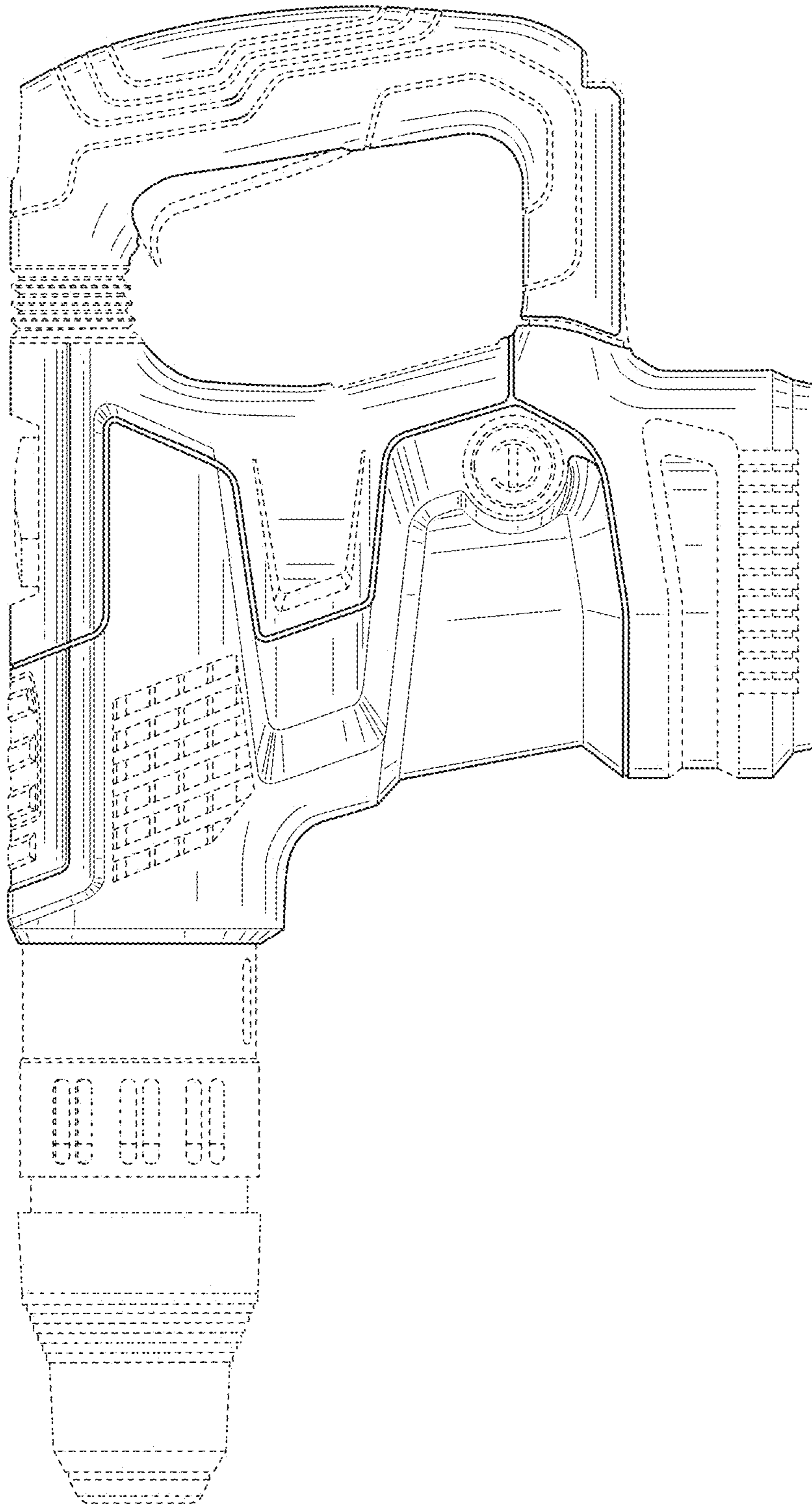


FIG. 4

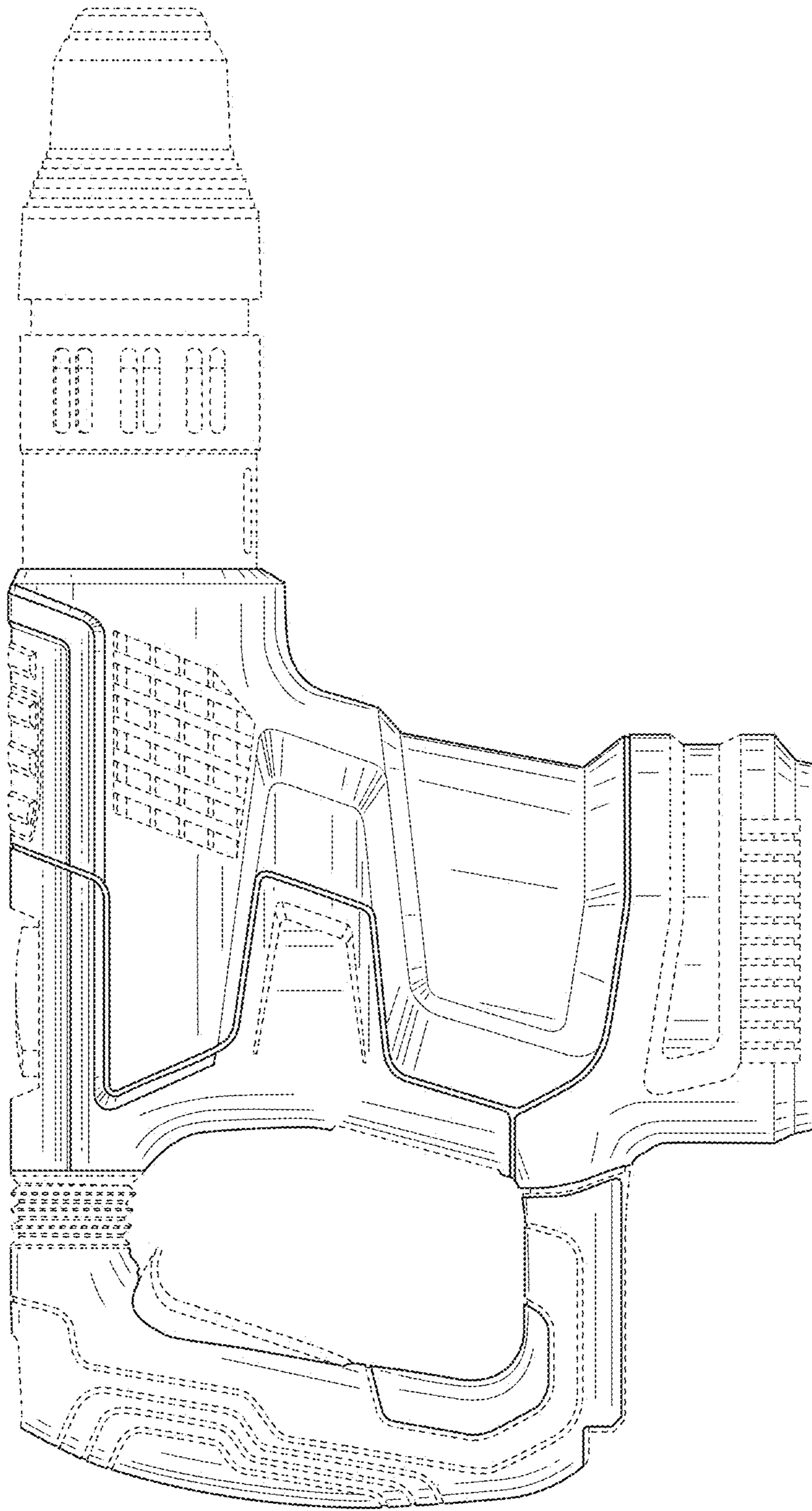


FIG. 5

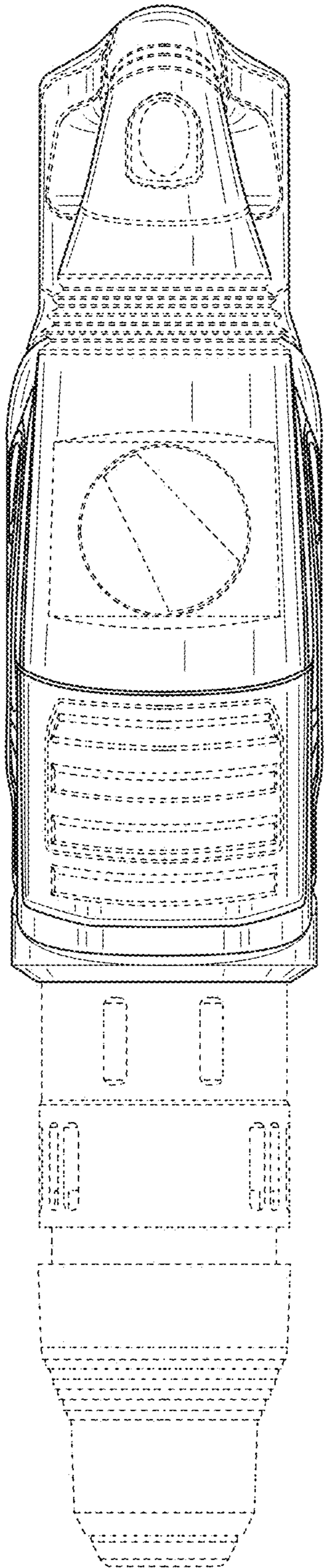


FIG. 6

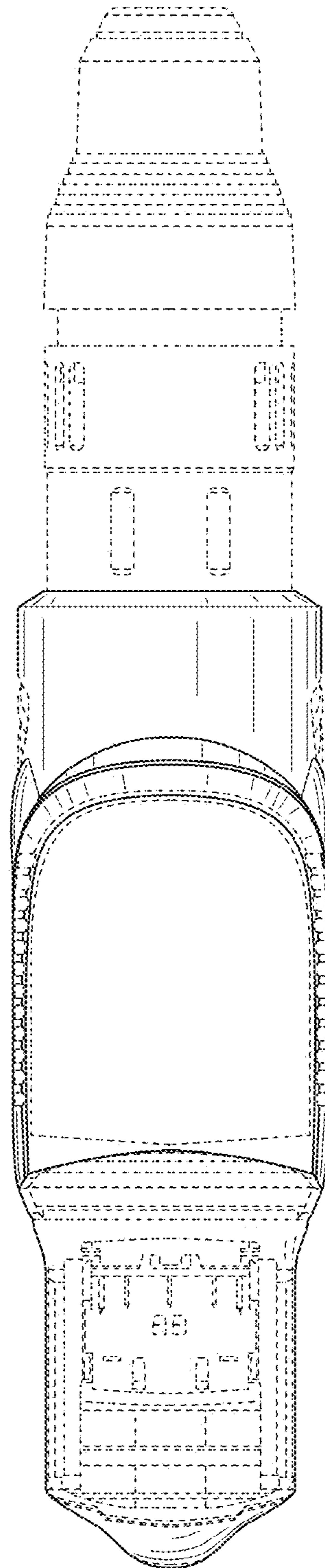


FIG. 7