



US00D896603S

(12) **United States Design Patent**  
**Tschopp**

(10) **Patent No.:** **US D896,603 S**

(45) **Date of Patent:** **\*\* Sep. 22, 2020**

(54) **POWER TOOL**

(71) Applicant: **BLACK & DECKER INC.**, New Britain, CT (US)

(72) Inventor: **Tylan A. Tschopp**, Baltimore, MD (US)

(73) Assignee: **BLACK & DECKER INC.**, New Britain, CT (US)

(\*\*) Term: **15 Years**

(21) Appl. No.: **29/686,633**

(22) Filed: **Apr. 5, 2019**

(51) **LOC (12) Cl.** ..... **08-05**

(52) **U.S. Cl.**  
USPC ..... **D8/68**

(58) **Field of Classification Search**  
USPC ..... D8/61, 67, 68  
CPC . B21J 15/043; B21J 15/22; B21J 15/36; B21J 15/326

See application file for complete search history.

(56) **References Cited**

**U.S. PATENT DOCUMENTS**

D256,980 S *	9/1980	Adams	.....	D8/68
D261,222 S *	10/1981	Bunyea	.....	D8/68
D327,830 S *	7/1992	Fisher	.....	D8/68
D382,184 S *	8/1997	Sung	.....	D8/61
D403,219 S *	12/1998	Bosten	.....	D8/68
D404,276 S *	1/1999	Ghode	.....	D8/68
D461,110 S *	8/2002	Izumisawa	.....	D8/68
D497,787 S *	11/2004	Liao	.....	D8/68
D515,377 S *	2/2006	Chung	.....	D8/68
D525,100 S *	7/2006	Huang	.....	D8/68
D605,490 S *	12/2009	Aglassinger	.....	D8/68
D657,222 S *	4/2012	Steinfels	.....	D8/68

D664,413 S *	7/2012	Steinfels	.....	D8/68
D678,025 S *	3/2013	Naksen	.....	D8/68
D684,028 S *	6/2013	Costoli	.....	173/90
D691,444 S *	10/2013	Tirone	.....	D8/68
D700,820 S *	3/2014	Cooper	.....	D8/68
D700,822 S *	3/2014	Tschopp	.....	D8/68
D707,522 S *	6/2014	Naksen	.....	D8/68
D713,703 S *	9/2014	Wang	.....	D8/68
D716,125 S *	10/2014	Yaschur	.....	D8/68
D774,860 S *	12/2016	Colin	.....	D8/68
D774,862 S *	12/2016	Naksen	.....	D8/68
D774,863 S *	12/2016	Naksen	.....	D8/68
D775,919 S *	1/2017	Lee	.....	D8/68
D801,773 S *	11/2017	Nystrom	.....	D8/68

\* cited by examiner

*Primary Examiner* — Darlington Ly

(74) *Attorney, Agent, or Firm* — Adan Ayala

(57) **CLAIM**

The ornamental design for a power tool, as shown and described.

**DESCRIPTION**

FIG. 1 is a front perspective view of a power tool showing my new design;

FIG. 2 is a front elevation view thereof;

FIG. 3 is a rear elevation view thereof;

FIG. 4 is a right side elevation view thereof;

FIG. 5 is a left side elevation view thereof;

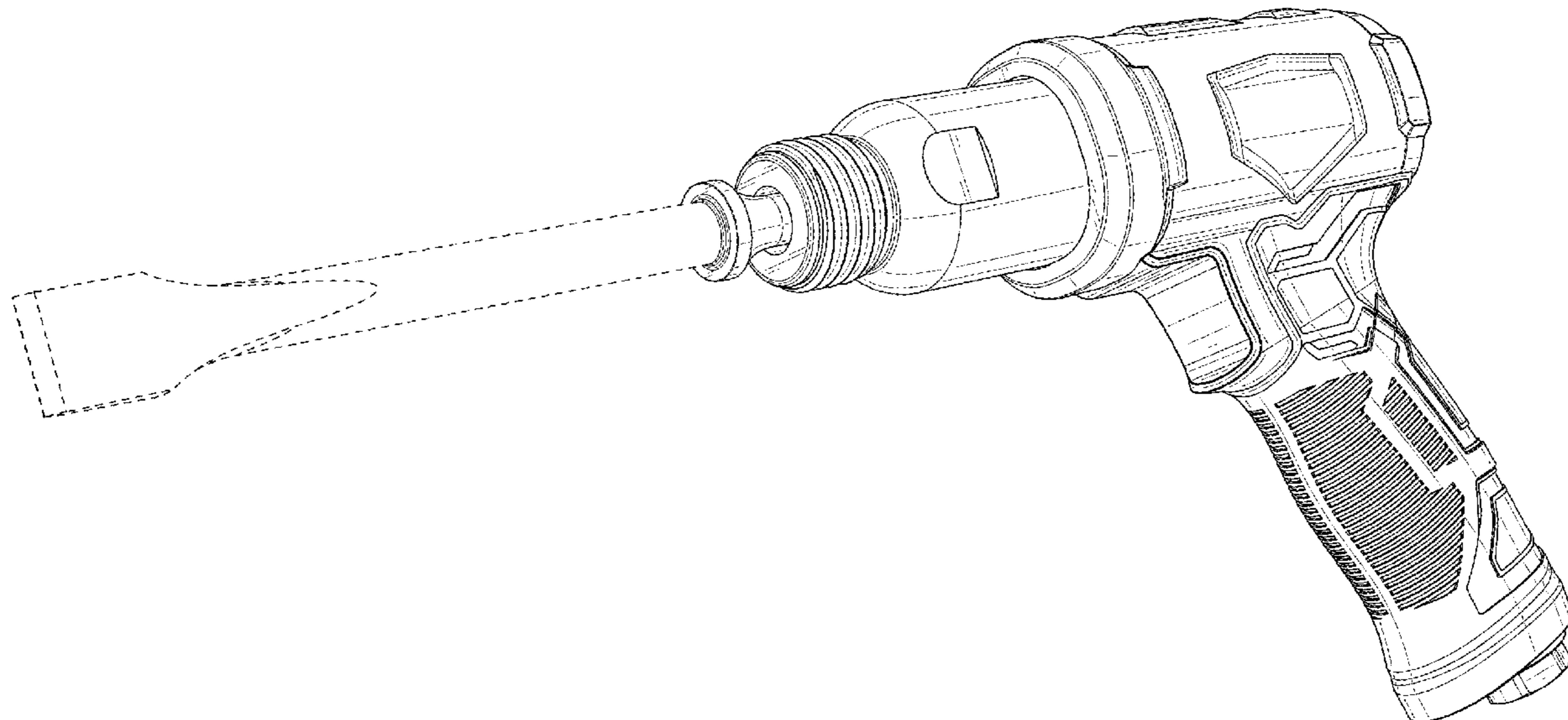
FIG. 6 is a top plan view thereof;

FIG. 7 is a bottom plan view thereof; and,

FIG. 8 is a rear perspective view thereof.

The broken line showing of the chisel attachment is provided for the purpose of illustrating environmental structure and forms no part of the claimed design.

**1 Claim, 8 Drawing Sheets**



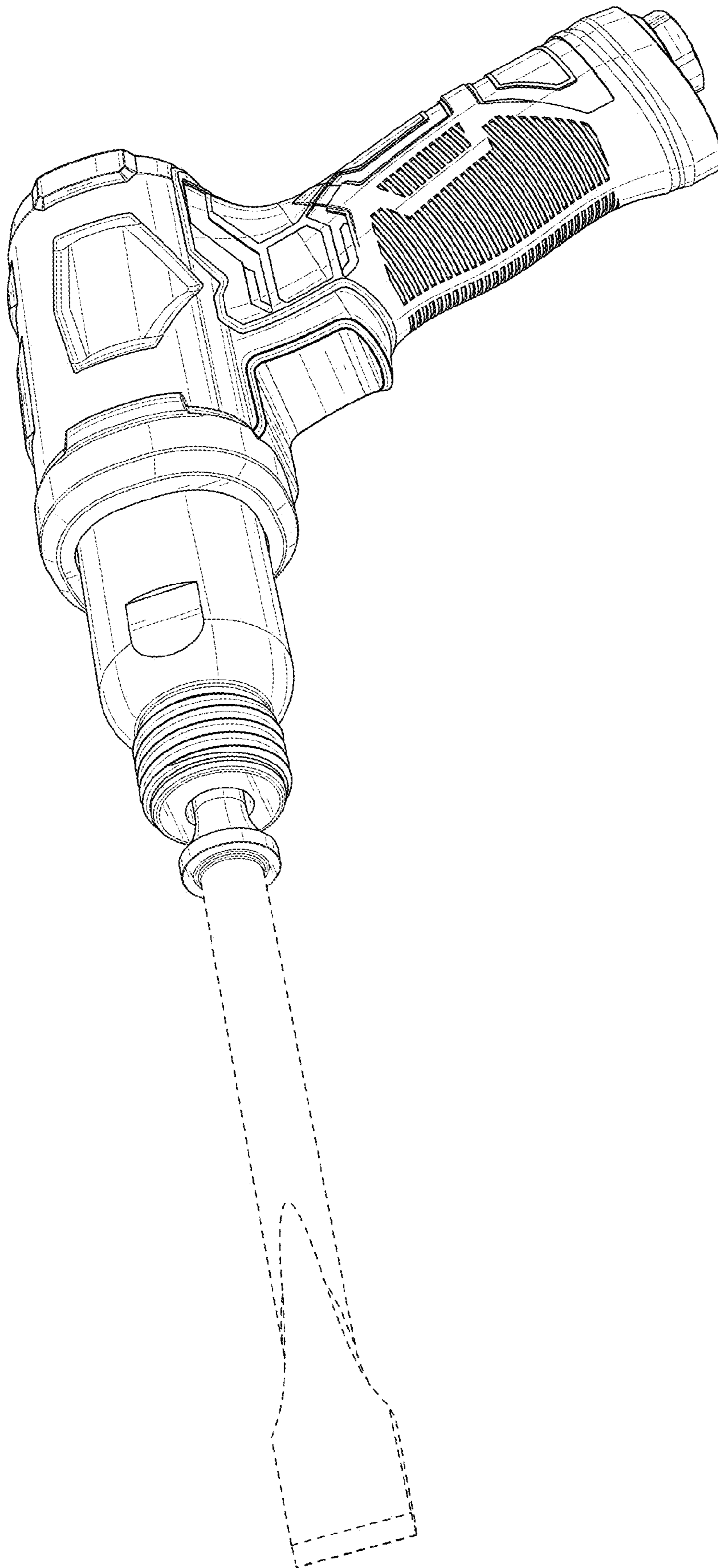


FIG. 1

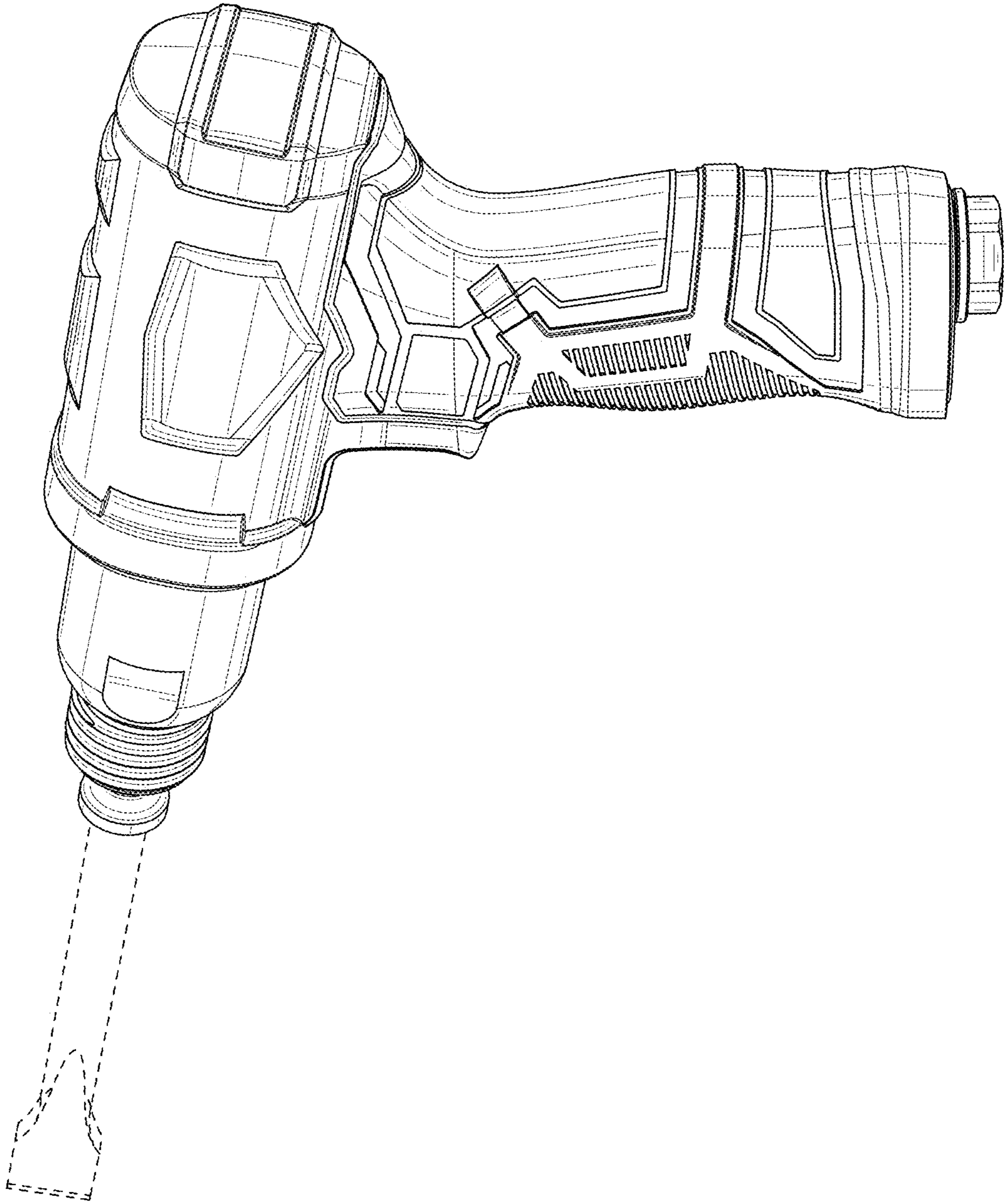


FIG. 2



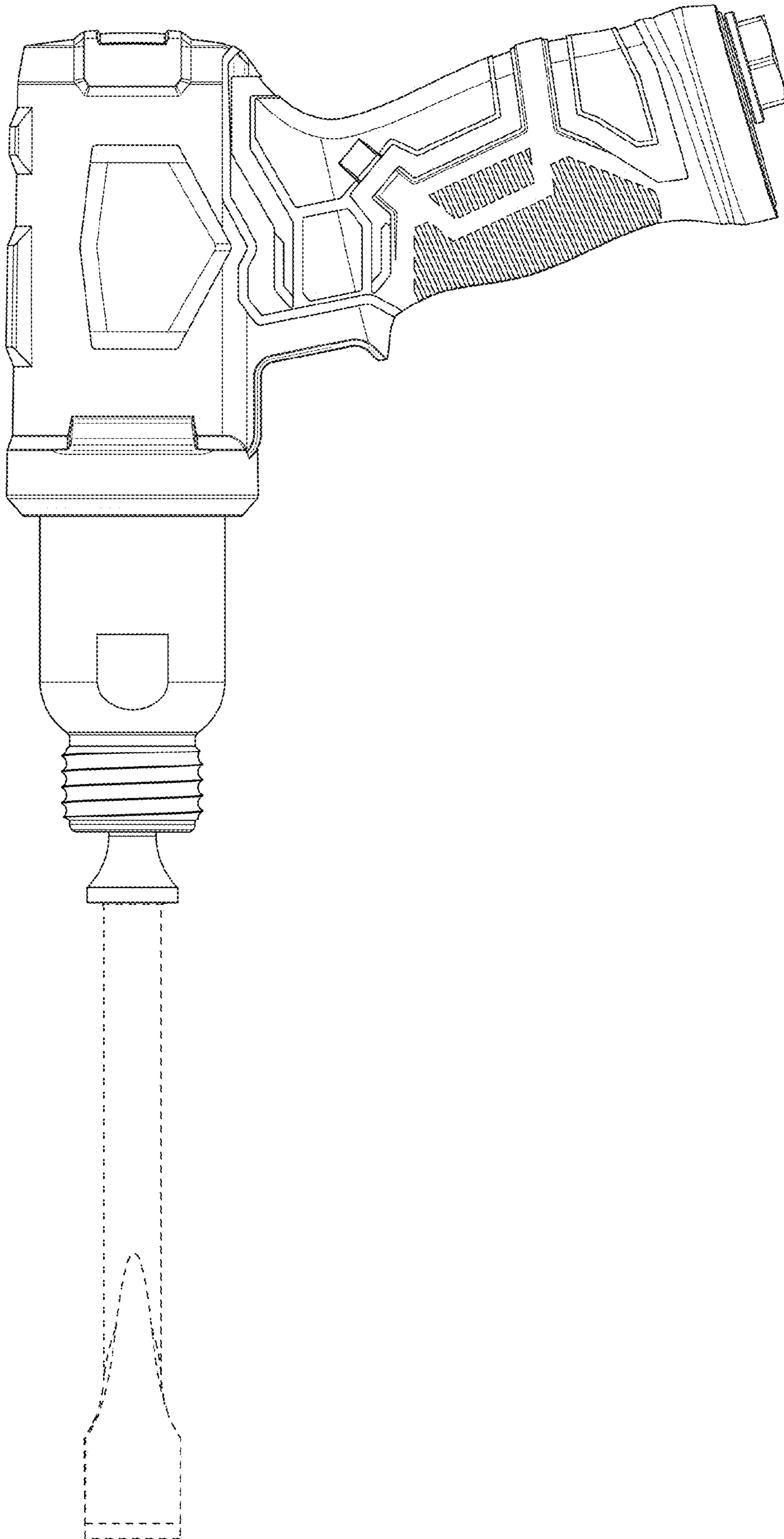


FIG. 3

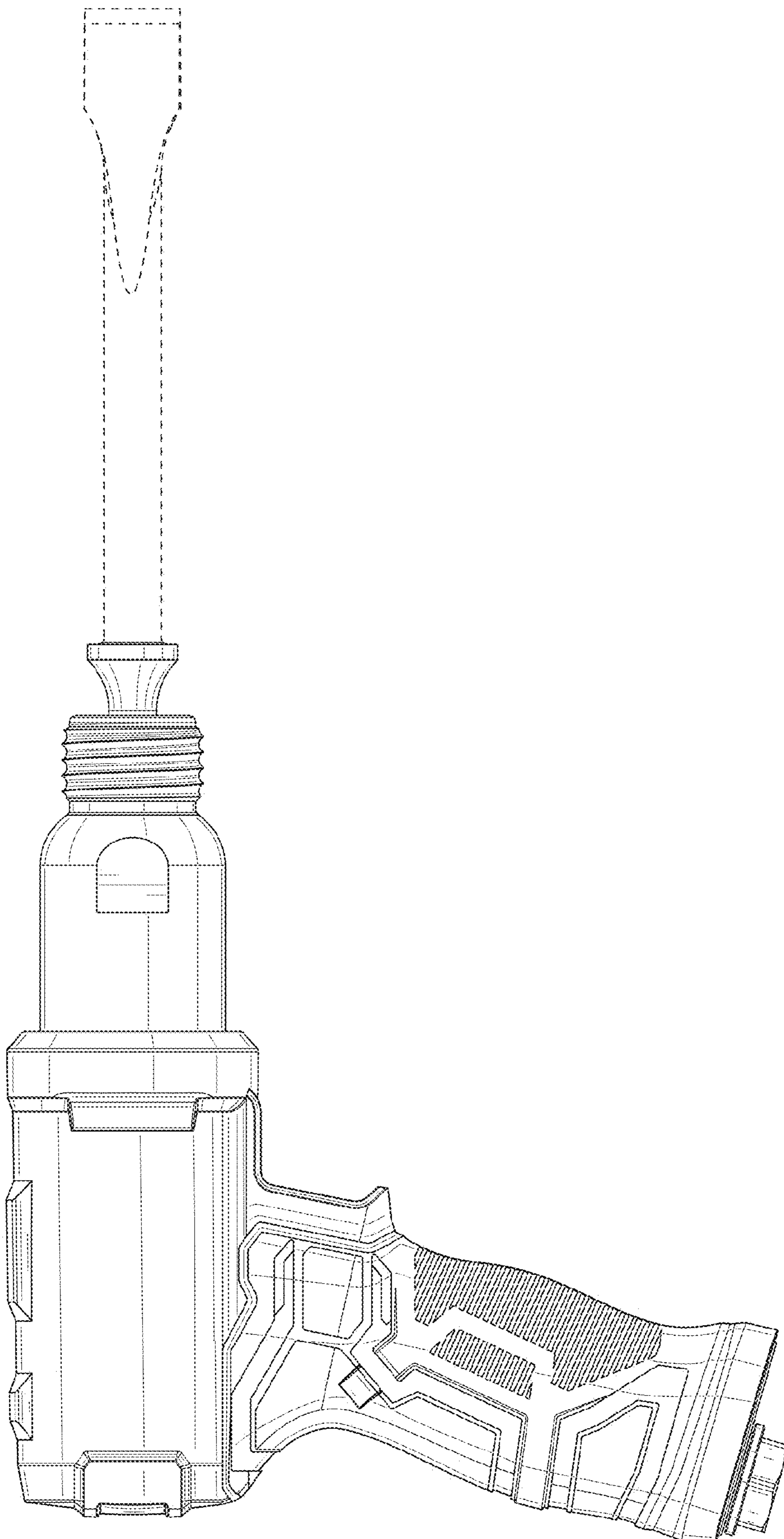


FIG. 4

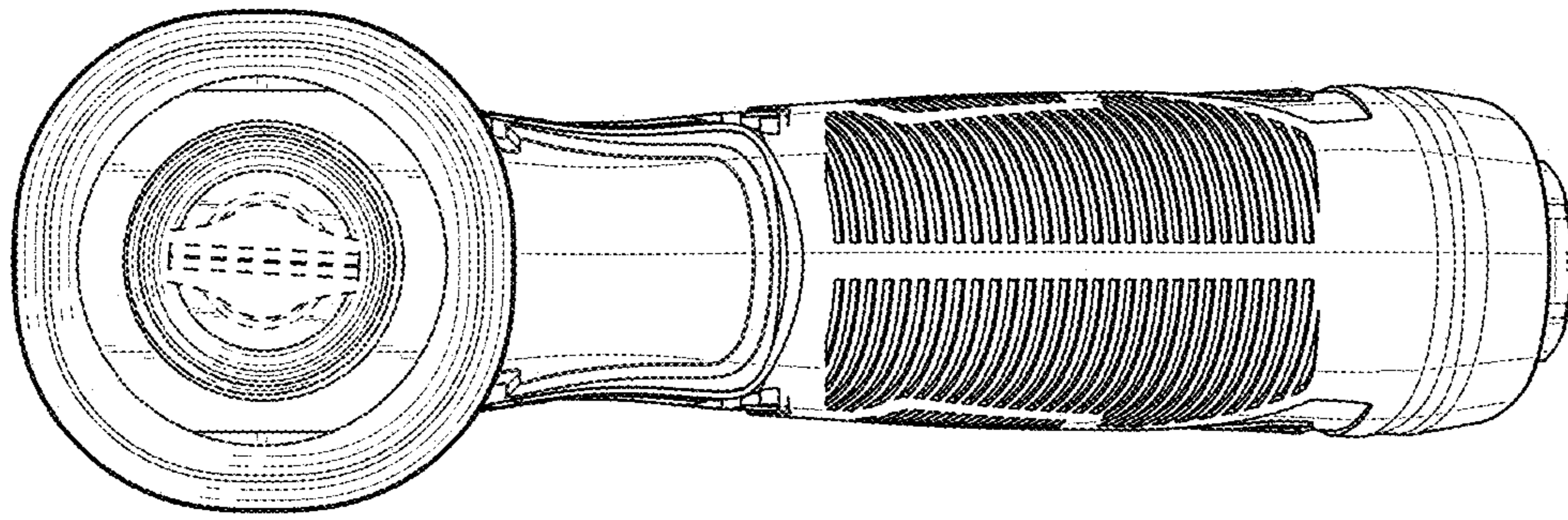


FIG. 5

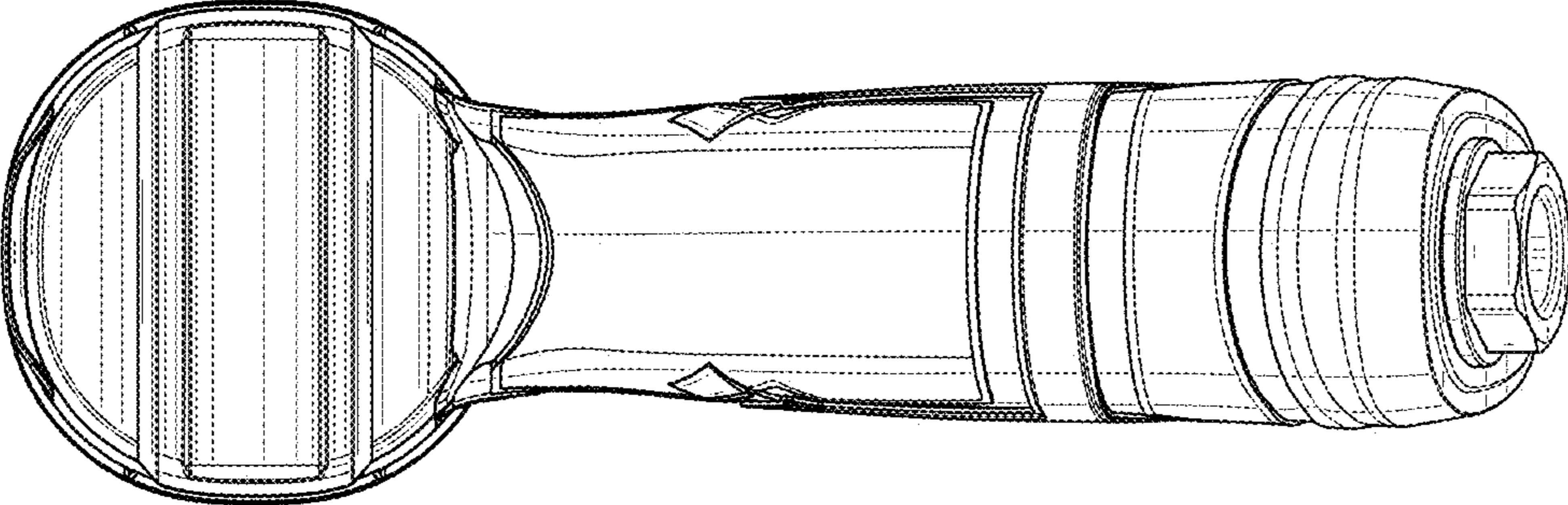


FIG. 6

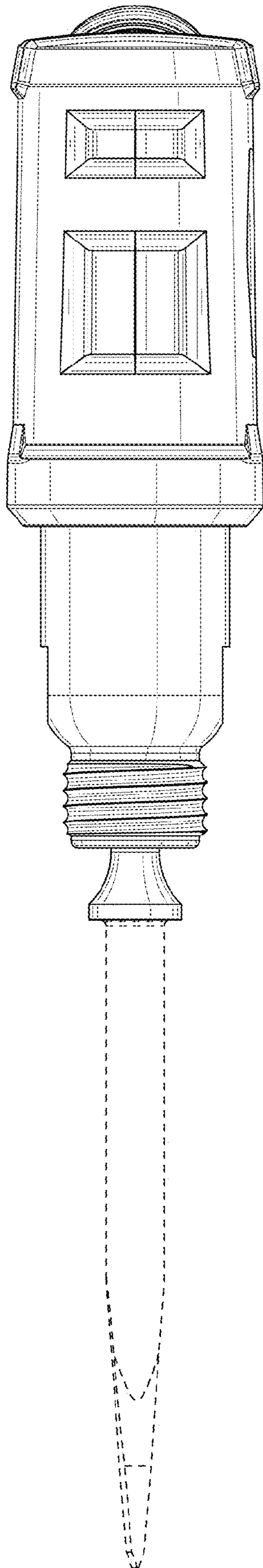


FIG. 7



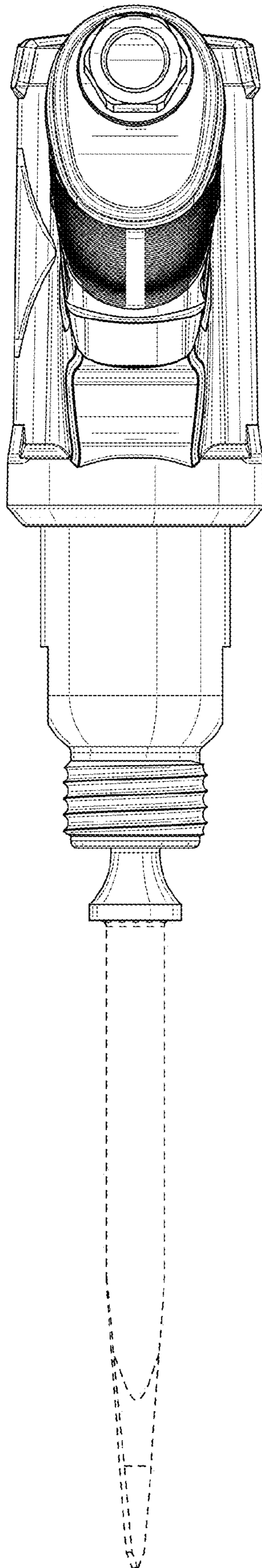


FIG. 8