



US00D896601S

(12) **United States Design Patent**
Zhang

(10) **Patent No.:** **US D896,601 S**

(45) **Date of Patent:** **** Sep. 22, 2020**

(54) **SLOT WEEDER**

(71) Applicant: **Haozhong Zhang**, Shantou (CN)

(72) Inventor: **Haozhong Zhang**, Shantou (CN)

(**) Term: **15 Years**

(21) Appl. No.: **29/737,523**

(22) Filed: **Jun. 10, 2020**

(51) **LOC (12) Cl.** **08-01**

(52) **U.S. Cl.**
USPC **D8/11**

(58) **Field of Classification Search**
USPC D8/1, 5, 7, 8, 12, 13
CPC A01B 1/00; A01B 1/08
See application file for complete search history.

(56) **References Cited**

U.S. PATENT DOCUMENTS

1,525,440	A *	2/1925	Clement	A01B 35/26 172/763
D234,018	S *	12/1974	De Brey	D8/8
4,159,745	A *	7/1979	Hood	A01D 25/044 171/138
RE33,255	E *	7/1990	Haukaas	A01B 39/19 172/44
5,234,241	A *	8/1993	Ikerd	A01B 1/18 294/115
5,350,021	A *	9/1994	Walker	A01B 1/225 172/13
5,386,681	A *	2/1995	Trahan	A01C 5/02 172/22
6,283,223	B1 *	9/2001	Ayers	A01G 3/06 172/17

D550,525	S *	9/2007	Aglassinger	D8/8
D585,253	S *	1/2009	Aglassinger	D8/8
D657,212	S *	4/2012	Pare	D8/8
D665,636	S	8/2012	Gray		
D680,395	S *	4/2013	Ruppert	D8/1
D700,026	S *	2/2014	Ruppert	D8/7
D868,552	S *	12/2019	Magana	D8/8
D876,187	S *	2/2020	Deville	D8/7
2004/0238187	A1 *	12/2004	Ruppert	A01B 1/08 172/13
2006/0220333	A1 *	10/2006	Olson	B62B 1/26 280/47.34
2006/0289178	A1 *	12/2006	Basek	A01M 21/02 172/371

* cited by examiner

Primary Examiner — Patricia A Palasik
(74) *Attorney, Agent, or Firm* — ZANIP

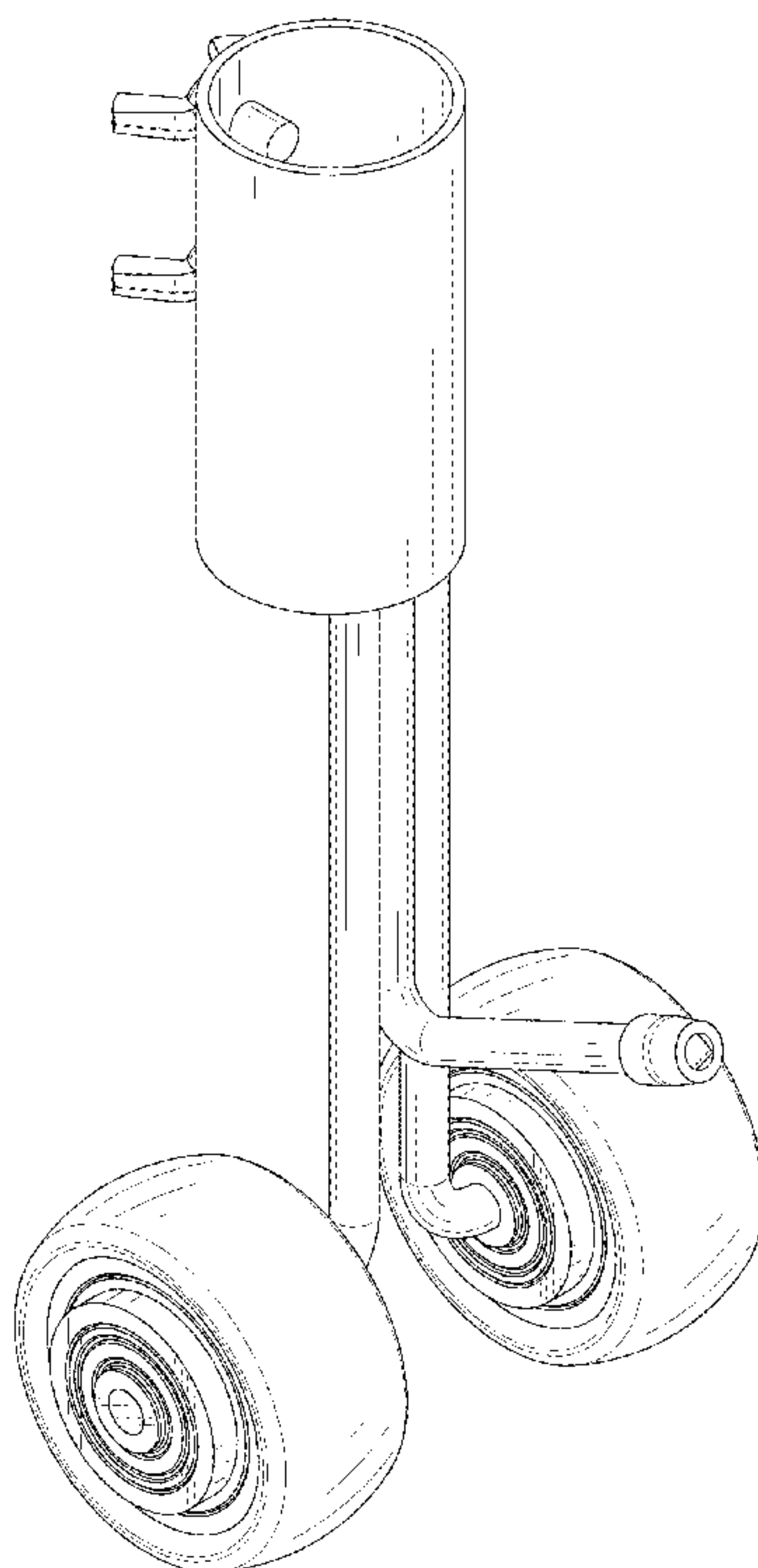
(57) **CLAIM**

The ornamental design for a slot weeder, as shown and described.

DESCRIPTION

FIG. 1 is a front and top perspective view of a slot weeder, showing my new design;
FIG. 2 is a rear and bottom perspective view thereof;
FIG. 3 is a front elevational view thereof;
FIG. 4 is a rear elevational view thereof;
FIG. 5 is a left side elevational view thereof;
FIG. 6 is a right side elevational view thereof;
FIG. 7 is a top plan view thereof; and,
FIG. 8 is a bottom plan view thereof.

1 Claim, 8 Drawing Sheets



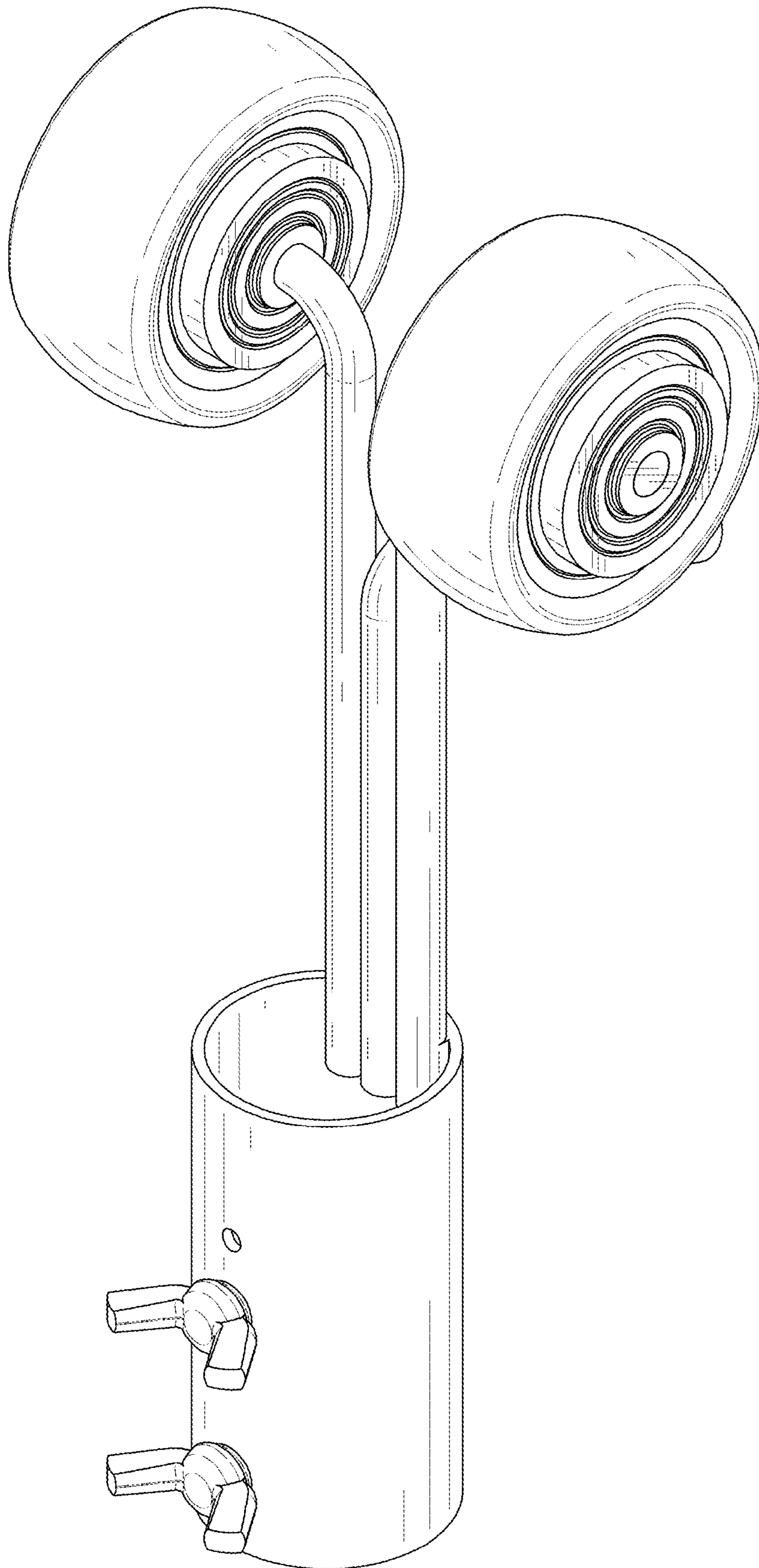


FIG. 1

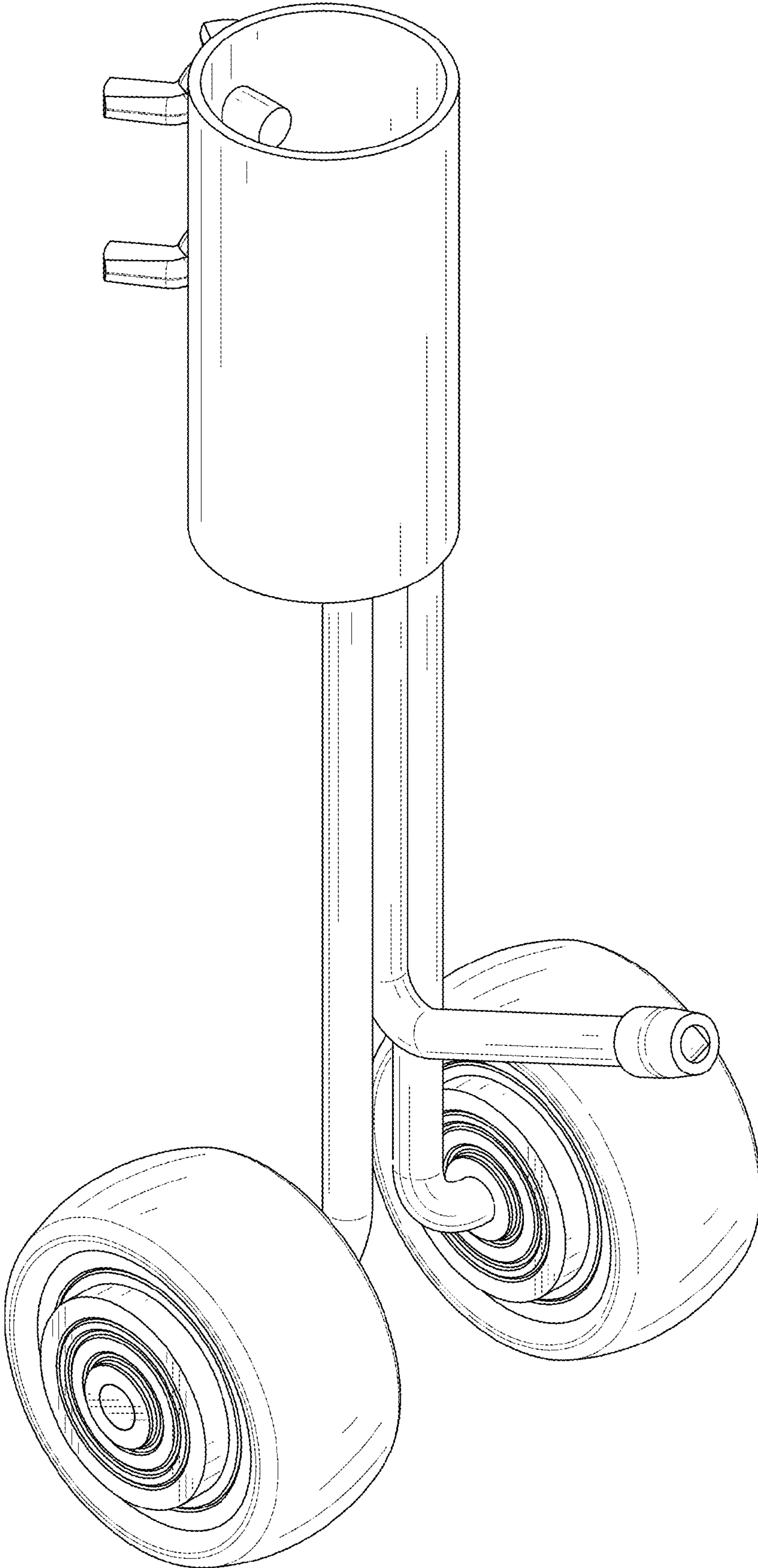


FIG. 2

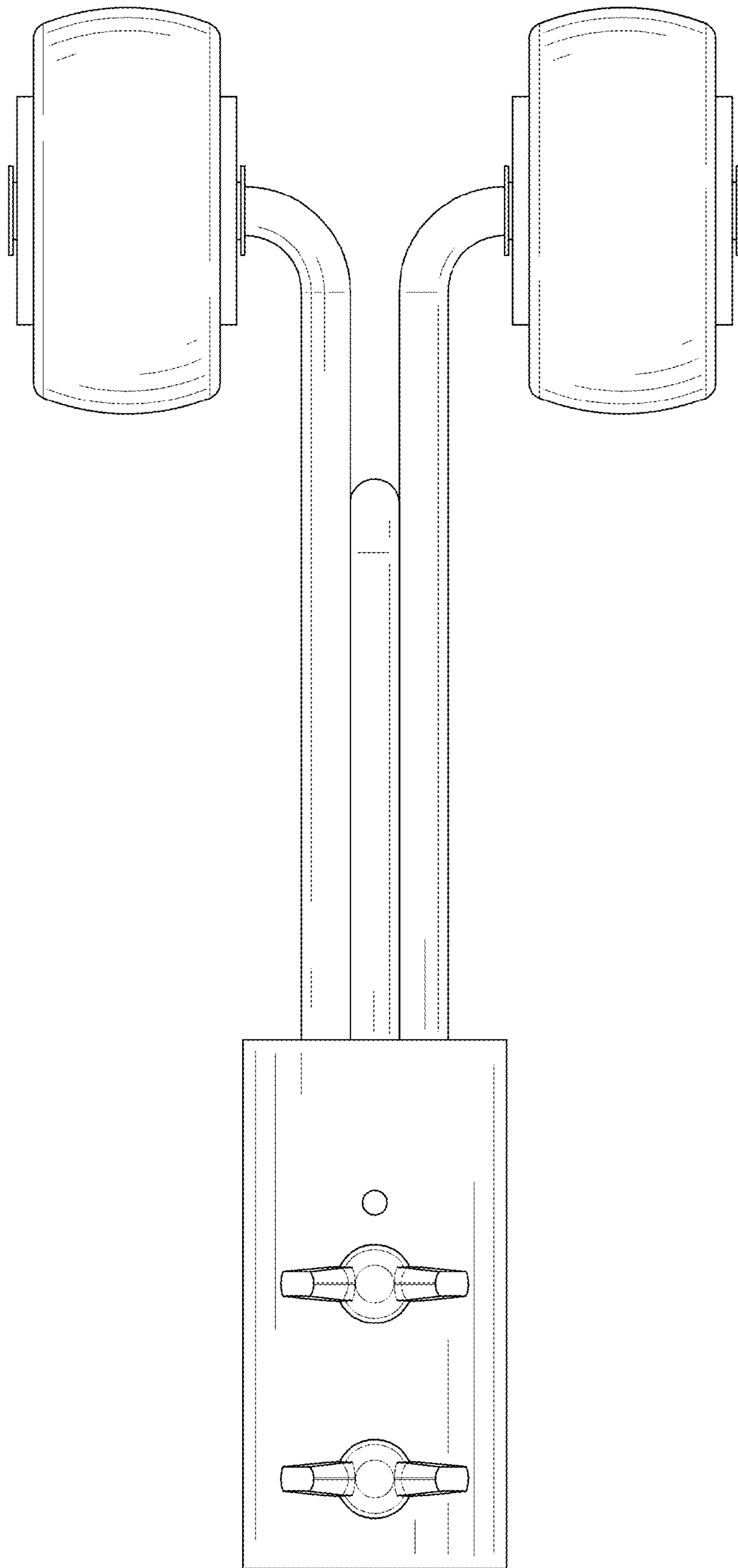


FIG. 3

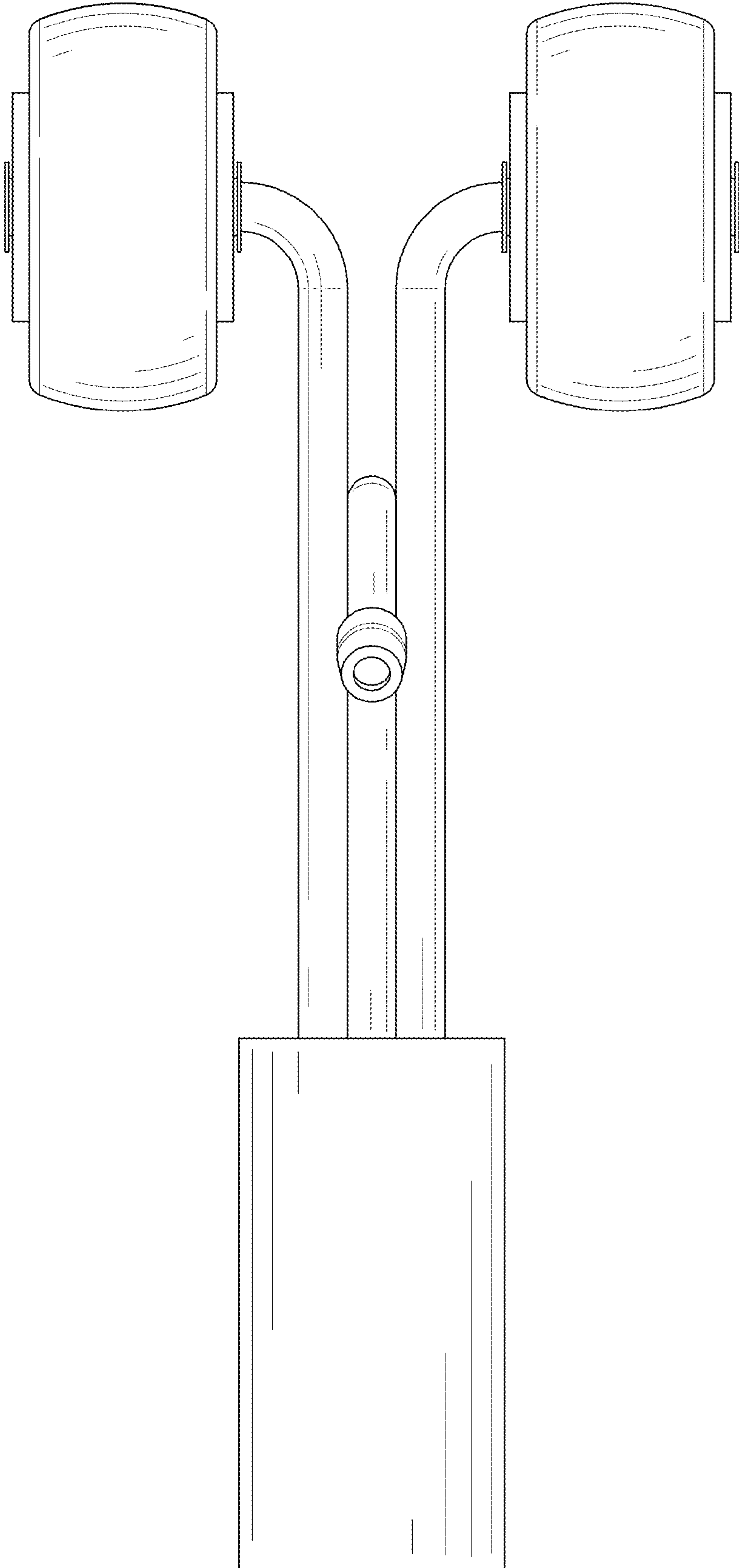


FIG. 4

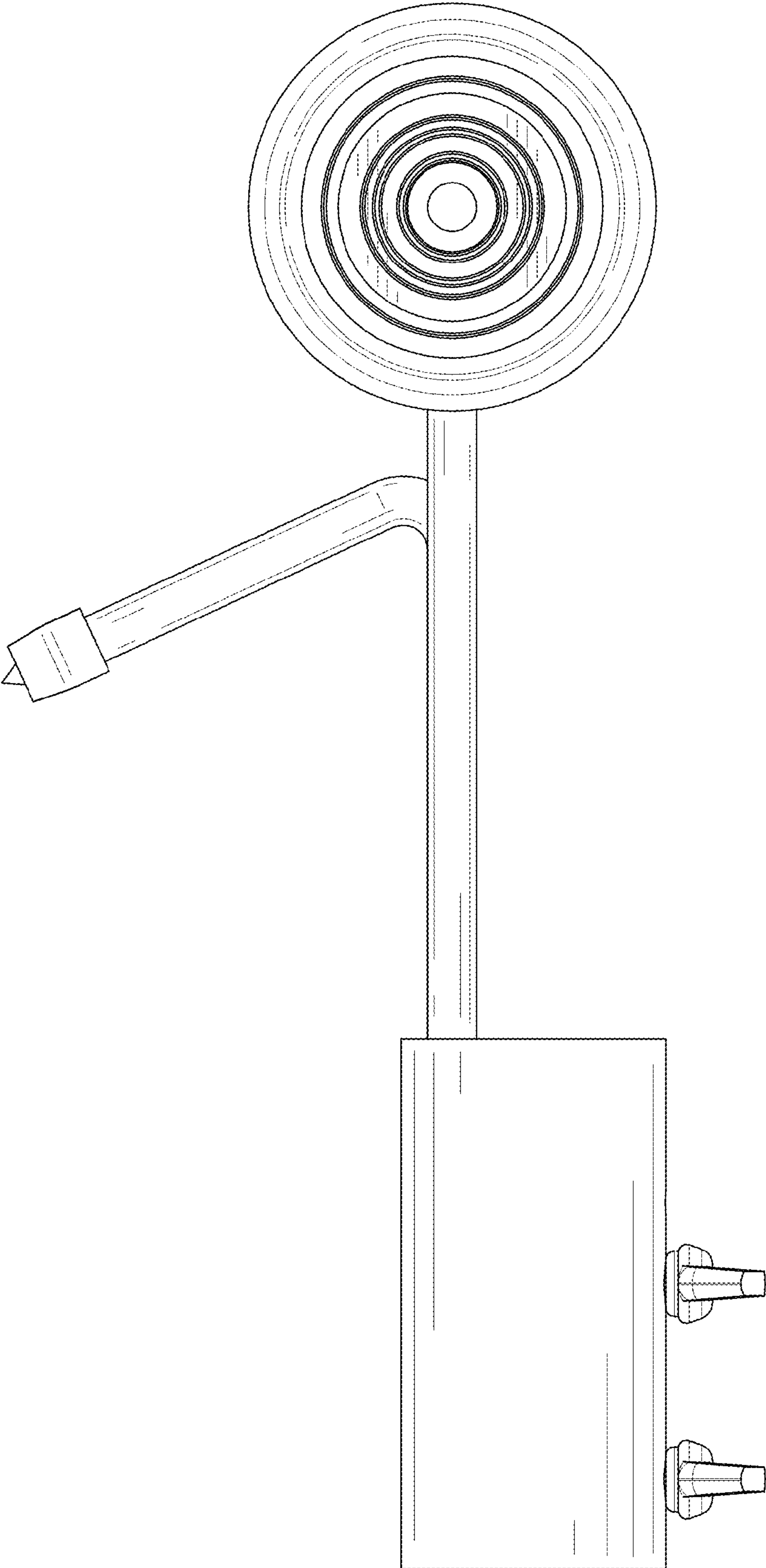


FIG. 5

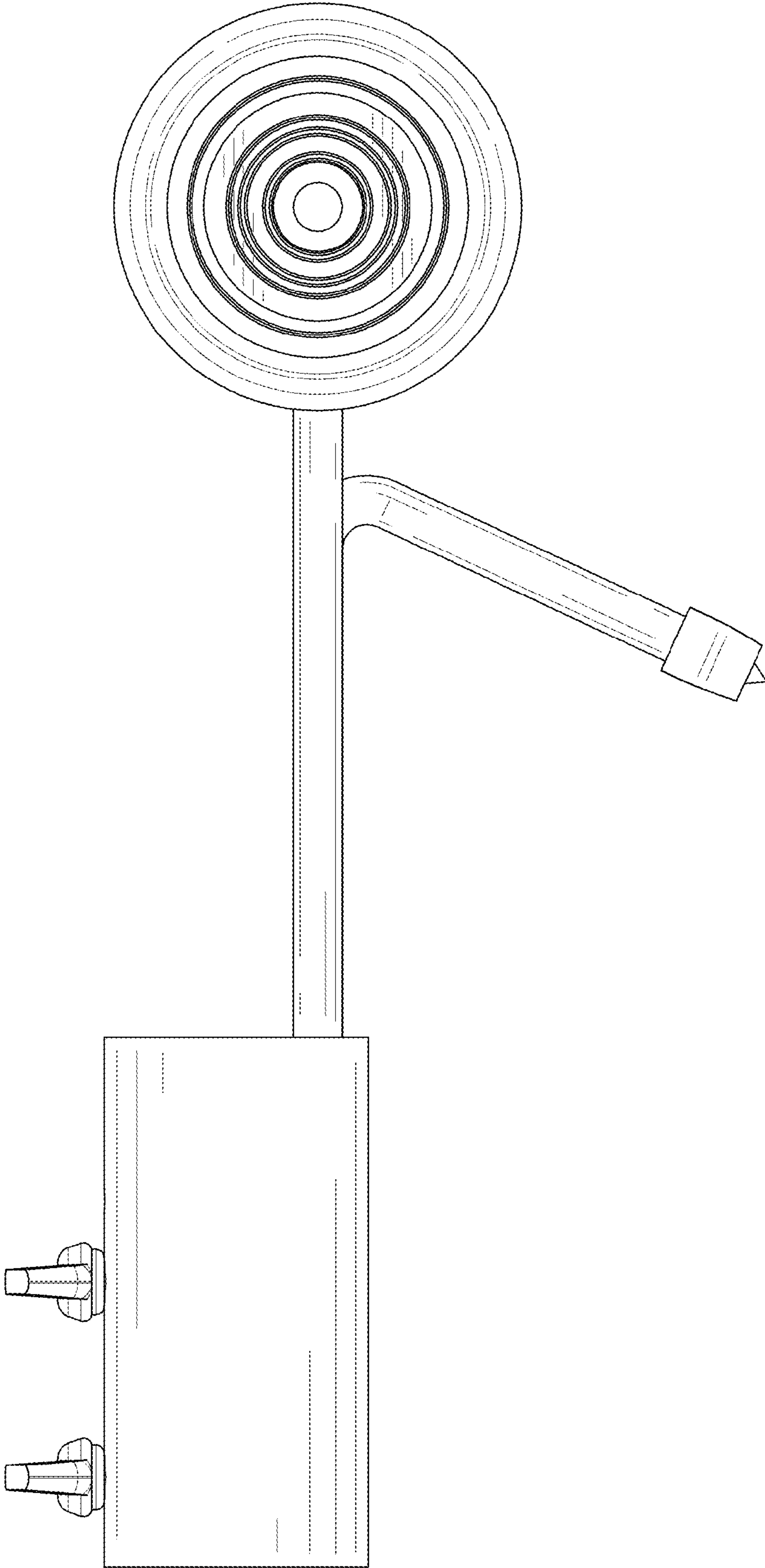


FIG. 6

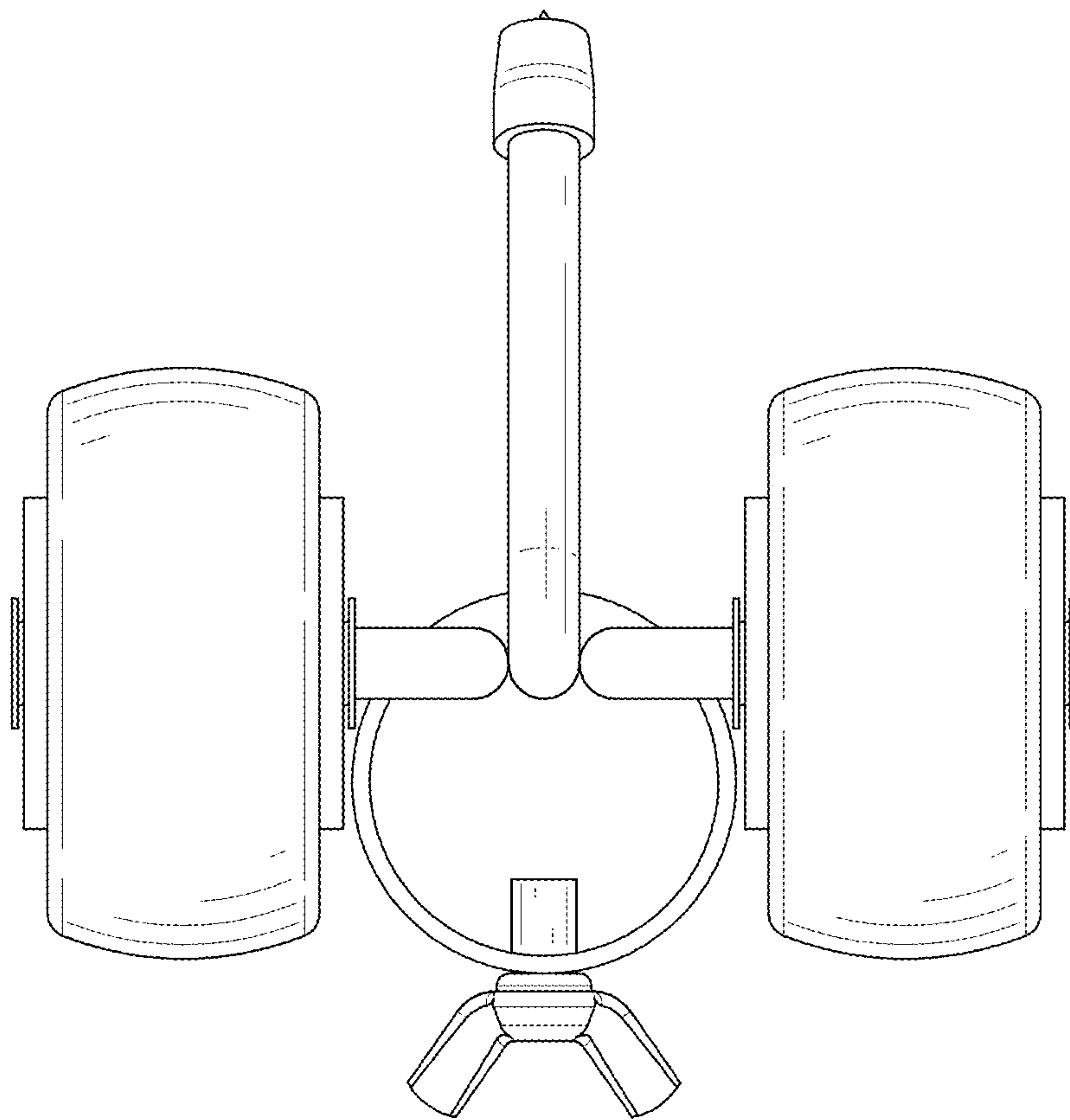


FIG. 7

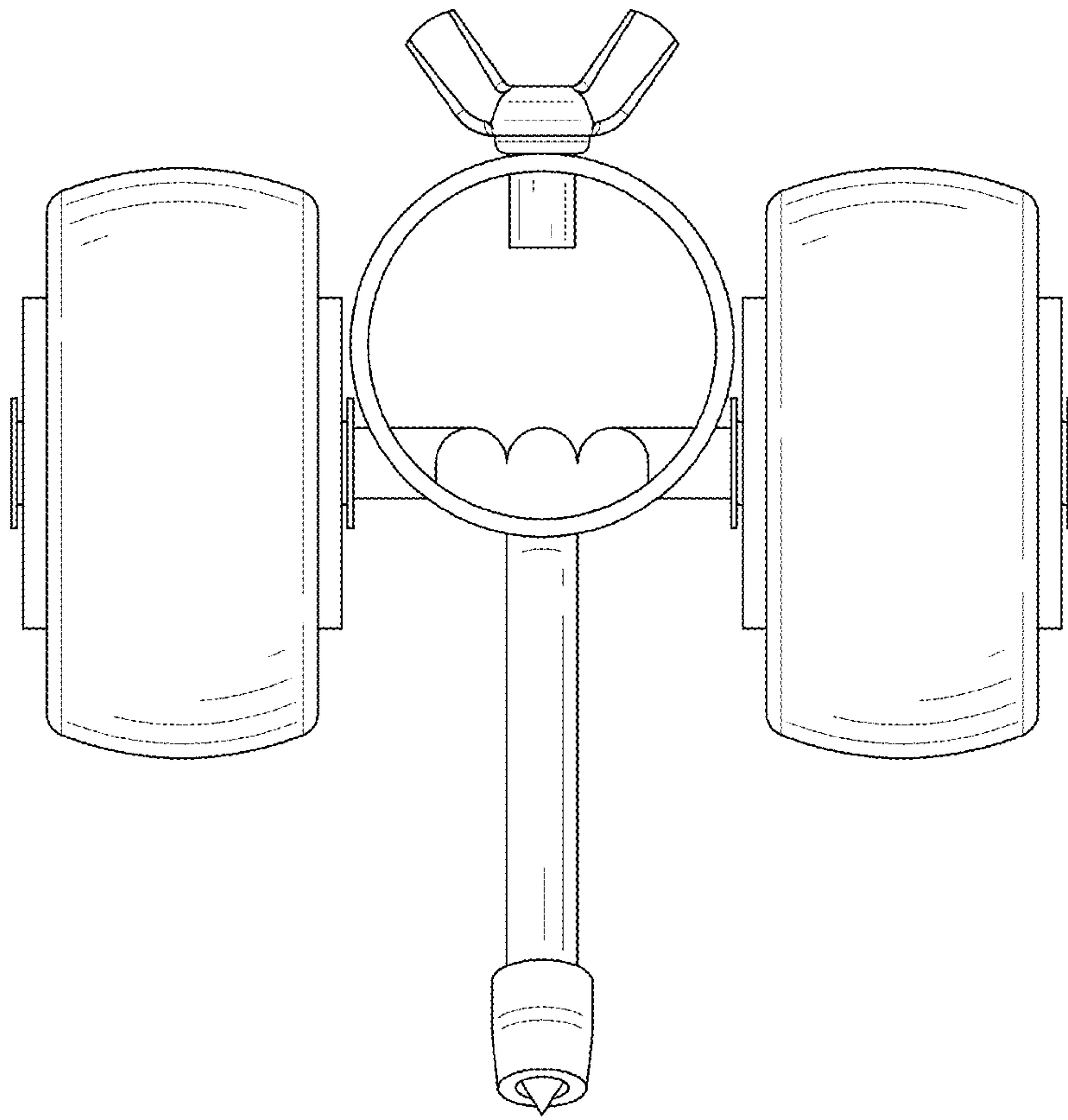


FIG. 8