



US00D896599S

(12) **United States Design Patent** (10) **Patent No.:** **US D896,599 S**  
**Knight et al.** (45) **Date of Patent:** **\*\* Sep. 22, 2020**

(54) **FOREARM SUPPORT FOR A HAND SPREADER**

(71) Applicant: **Home Depot Product Authority, LLC**, Atlanta, GA (US)

(72) Inventors: **Erica Knight**, Chamblee, GA (US); **Dominic Lovely**, Centennial, CO (US); **Brent Christopher**, Centennial, CO (US)

(73) Assignee: **HOME DEPOT PRODUCT AUTHORITY, LLC**, Atlanta, GA (US)

(\*\*) Term: **15 Years**

(21) Appl. No.: **29/669,605**

(22) Filed: **Nov. 9, 2018**

(51) **LOC (12) Cl.** ..... **08-01**

(52) **U.S. Cl.**  
USPC ..... **D8/2**

(58) **Field of Classification Search**  
USPC ..... D8/1, 2, 10, 354; D15/13, 26; D32/17; D24/184-185

CPC ..... A01C 15/02; A01C 15/00  
See application file for complete search history.

(56) **References Cited**

**U.S. PATENT DOCUMENTS**

2,516,852 A	8/1950	Burry	
2,707,068 A	4/1955	Williamson	
2,710,571 A	6/1955	Pfister	
4,477,114 A	10/1984	Callis	
D286,338 S *	10/1986	Cunningham	D34/23
5,159,775 A	11/1992	Sutula, Jr.	
D331,921 S *	12/1992	Gutke	D14/452
D333,951 S *	3/1993	Courtney	D8/2
5,285,971 A *	2/1994	Havlovitz	A01C 15/02 222/43
D361,334 S *	8/1995	Chan	D14/251
5,445,479 A	8/1995	Hillinger	

5,451,085 A	9/1995	Wagner	
5,716,087 A	2/1998	Backich et al.	
5,774,937 A	7/1998	Caminos	
5,802,960 A	9/1998	Graj et al.	
D400,309 S *	10/1998	Kuntz	D29/120.1
5,890,259 A	4/1999	Sarac	
6,082,795 A	7/2000	Fornelli	
6,092,746 A	7/2000	Dillon	
6,425,500 B2	7/2002	McNally	
6,464,272 B1	10/2002	Michaud	
D478,801 S *	8/2003	Spruill	D8/354

(Continued)

**FOREIGN PATENT DOCUMENTS**

NL 9001092 A 8/1991

*Primary Examiner* — Sheryl Lane

(74) *Attorney, Agent, or Firm* — Greenberg Traurig, LLP

(57) **CLAIM**

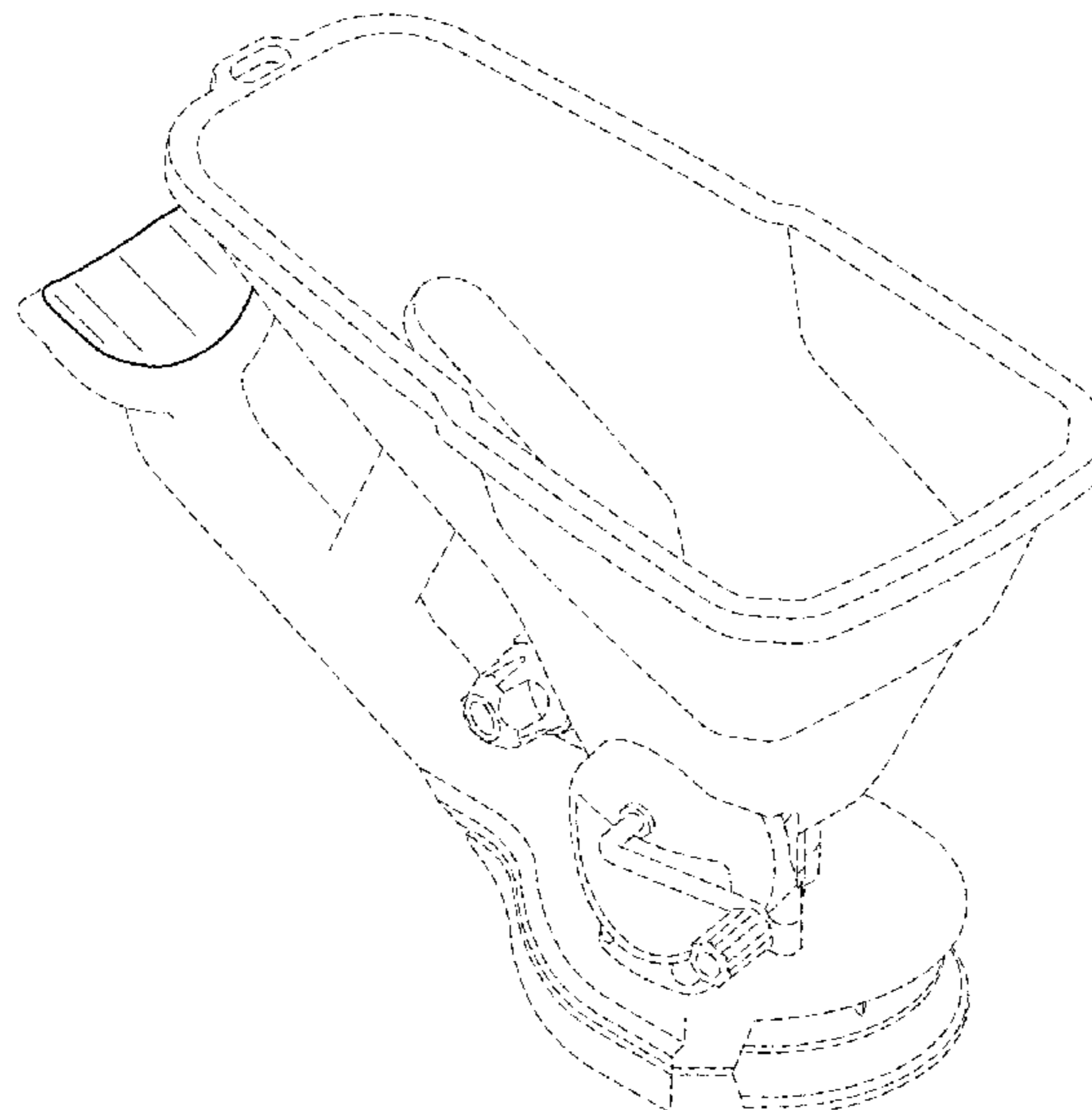
The ornamental design for a forearm support for a hand spreader, as shown and described.

**DESCRIPTION**

FIG. 1 is a perspective view of a forearm support for a hand spreader having our design;  
 FIG. 2 is a front elevational view of the forearm support for a hand spreader of FIG. 1;  
 FIG. 3 is a rear elevational view of the forearm support for a hand spreader of FIG. 1;  
 FIG. 4 is a left-side elevational view of the forearm support for a hand spreader of FIG. 1;  
 FIG. 5 is a right-side elevational view of the forearm support for a hand spreader of FIG. 1;  
 FIG. 6 is a top plan view of the support for hand spreader of FIG. 1; and,  
 FIG. 7 is a bottom plan view of the support for hand spreader of FIG. 1.

The broken lines in the figures represent portions of the hand spreader that form no part of the claimed design.

**1 Claim, 7 Drawing Sheets**



(56)

**References Cited**

U.S. PATENT DOCUMENTS

7,328,861	B2 *	2/2008	Sagol .....	A01C 15/02 222/333
D593,843	S *	6/2009	Hutter, III .....	D8/354
D594,314	S *	6/2009	Hutter, III .....	D8/354
7,775,156	B2	8/2010	Sus et al.	
D647,207	S *	10/2011	Buck .....	D24/185
8,464,399	B2	6/2013	Herigstad	
D701,737	S	4/2014	Poitras	
D702,841	S *	4/2014	Wyrozub .....	D24/184
D728,798	S *	5/2015	Moon .....	D24/184
D738,171	S *	9/2015	Masalin .....	D8/10
D755,590	S *	5/2016	Salojarvi .....	D8/10
D772,660	S *	11/2016	Huang .....	D7/691
D773,290	S *	12/2016	Green .....	D8/349
D823,655	S *	7/2018	Dubiel .....	D8/2
D824,737	S *	8/2018	Dubiel .....	D8/2
D834,901	S *	12/2018	Dubiel .....	D8/2
D870,965	S *	12/2019	Olivier .....	D27/194
2016/0101513	A1	4/2016	Rogers	
2017/0049042	A1 *	2/2017	Hsu .....	A01C 15/02
2018/0368309	A1 *	12/2018	Dubiel .....	A01C 15/006

\* cited by examiner

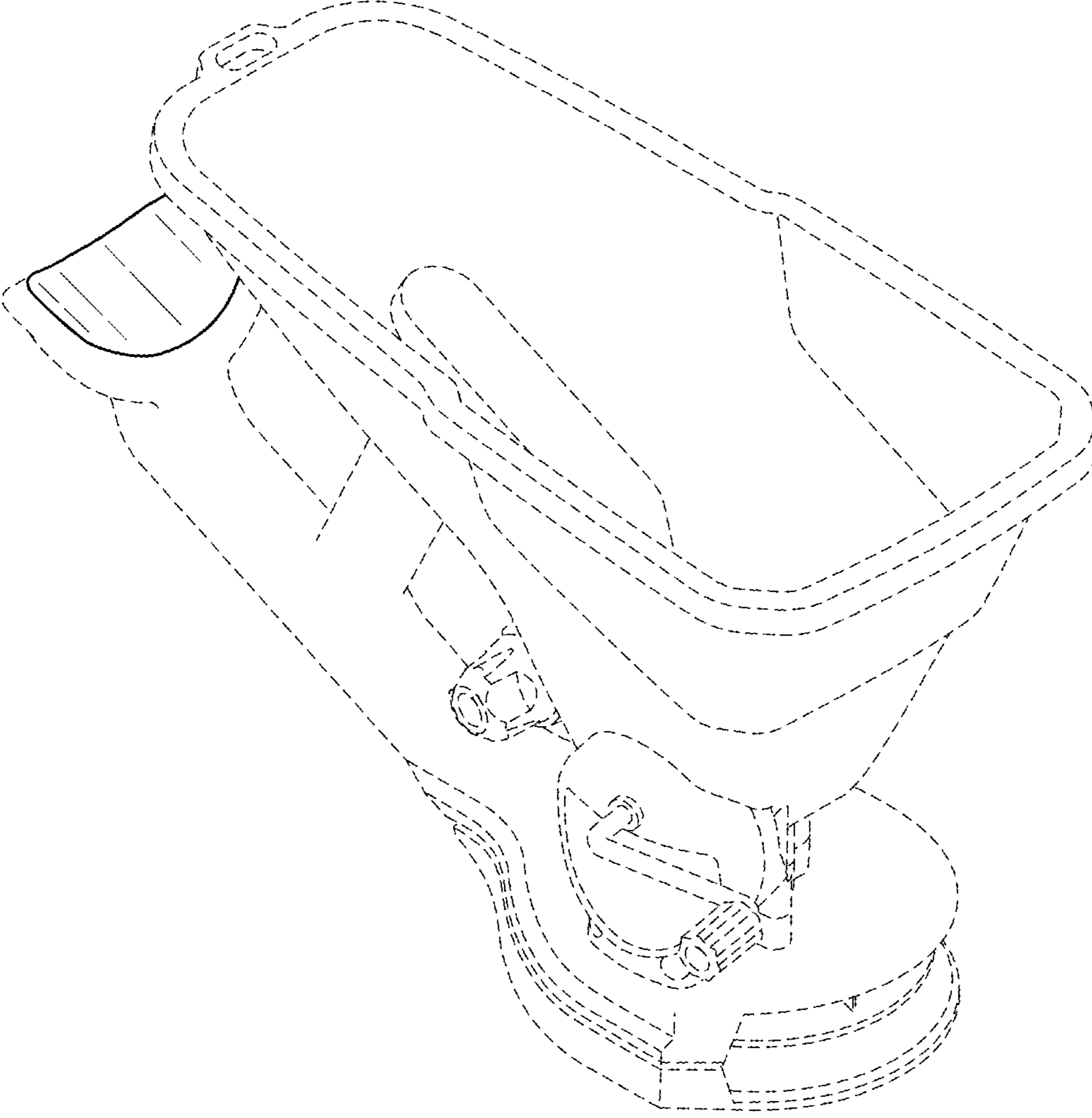


FIG. 1

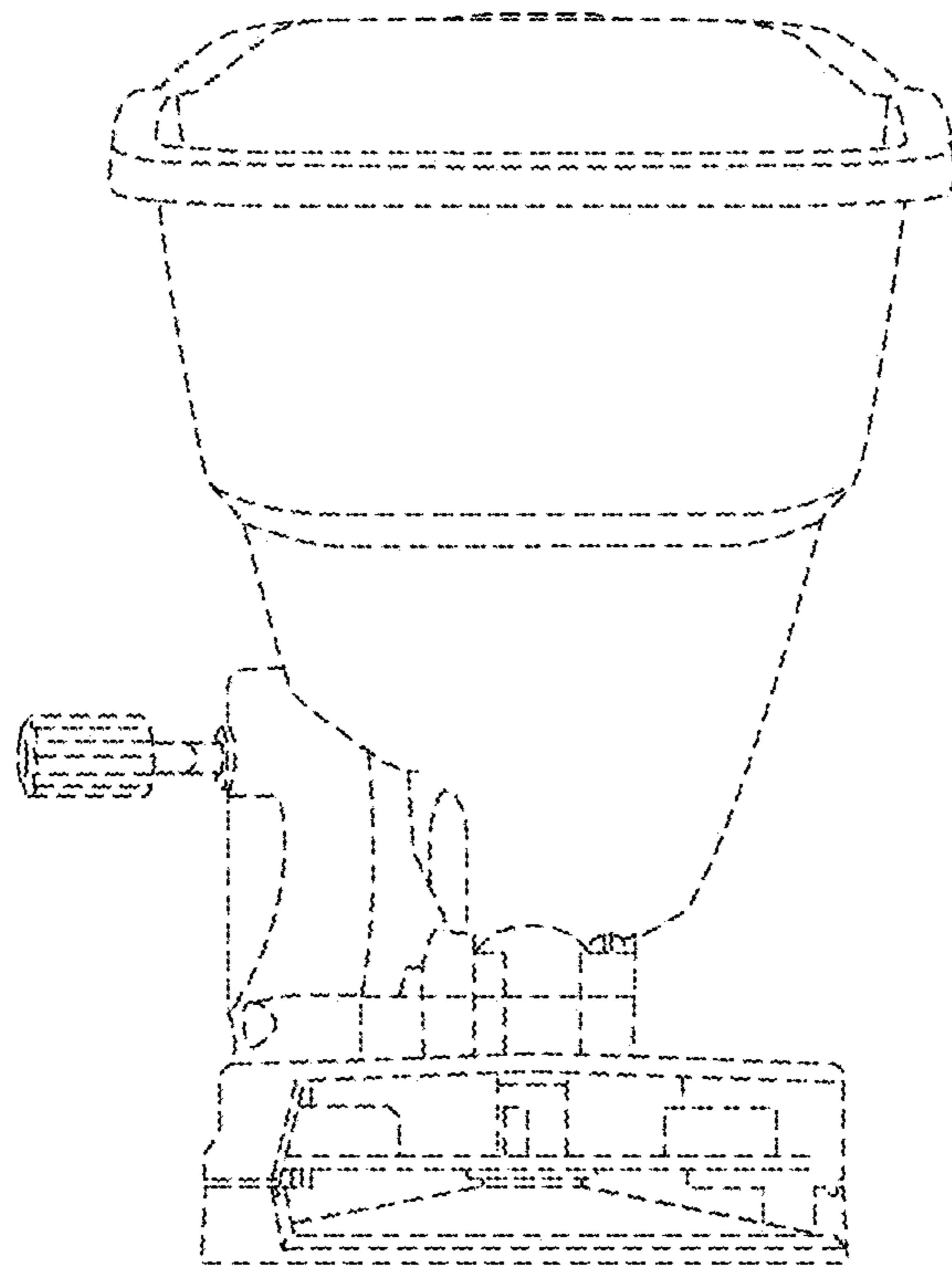


FIG. 2

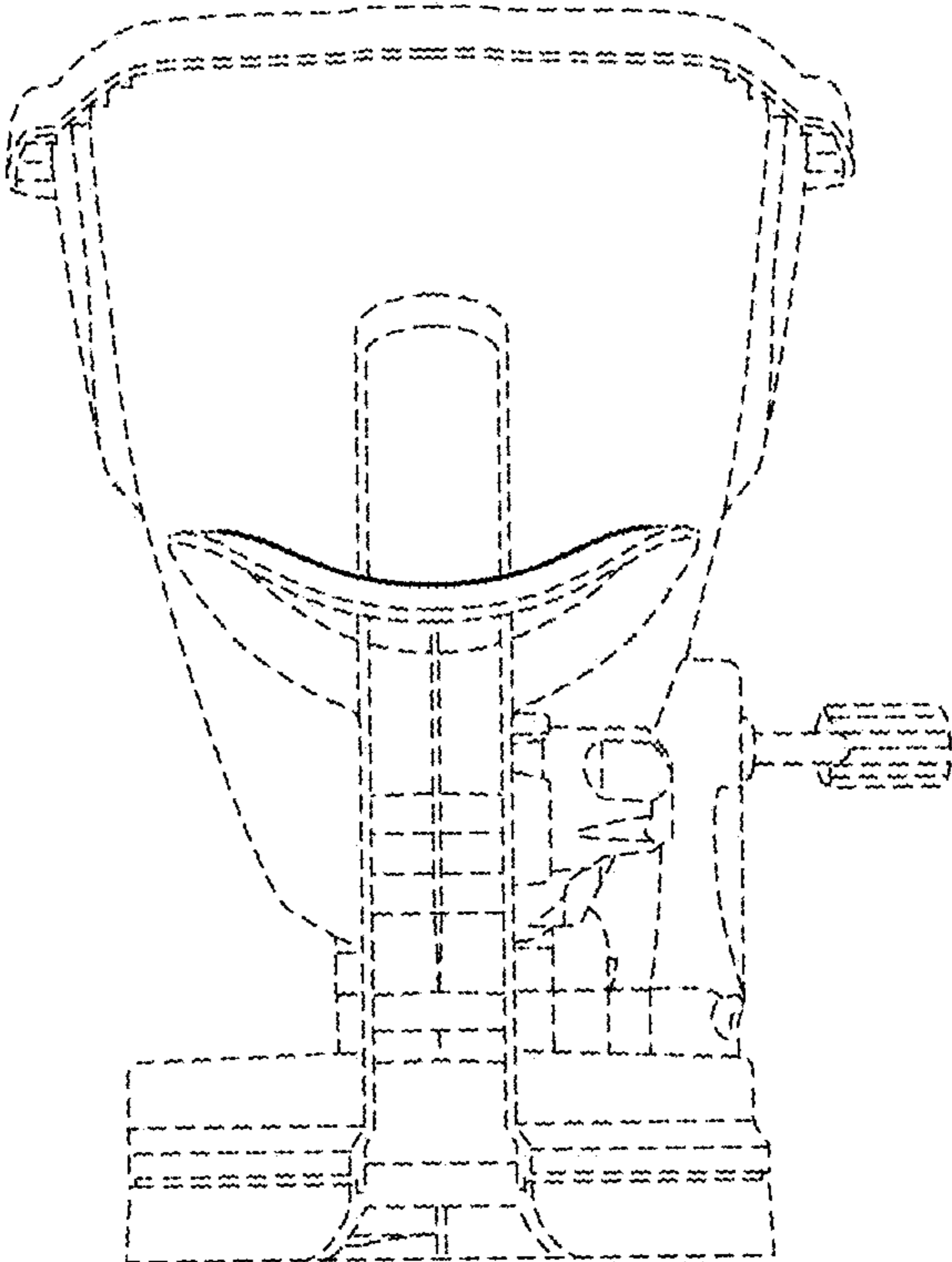


FIG. 3

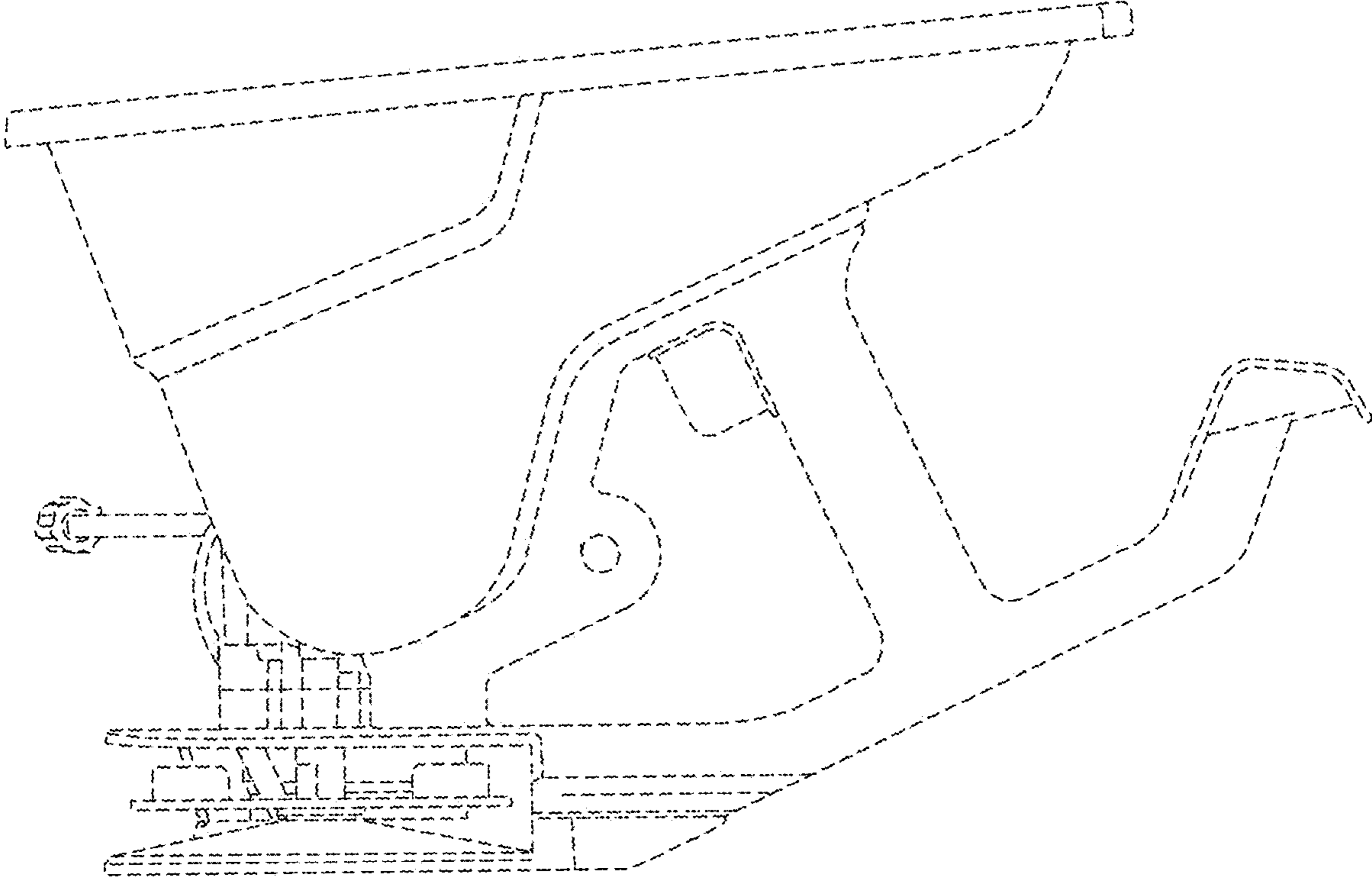


FIG. 4

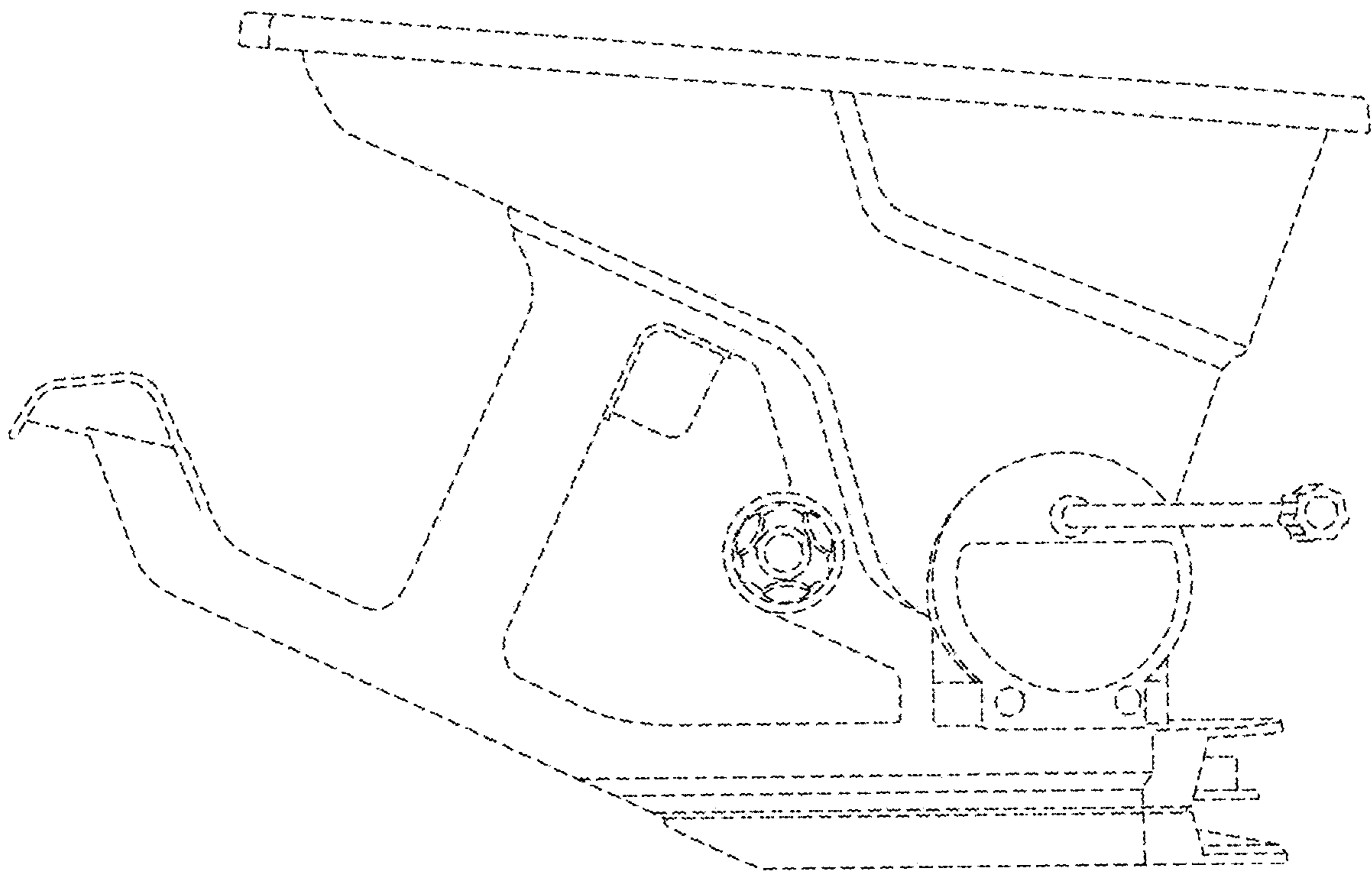


FIG. 5

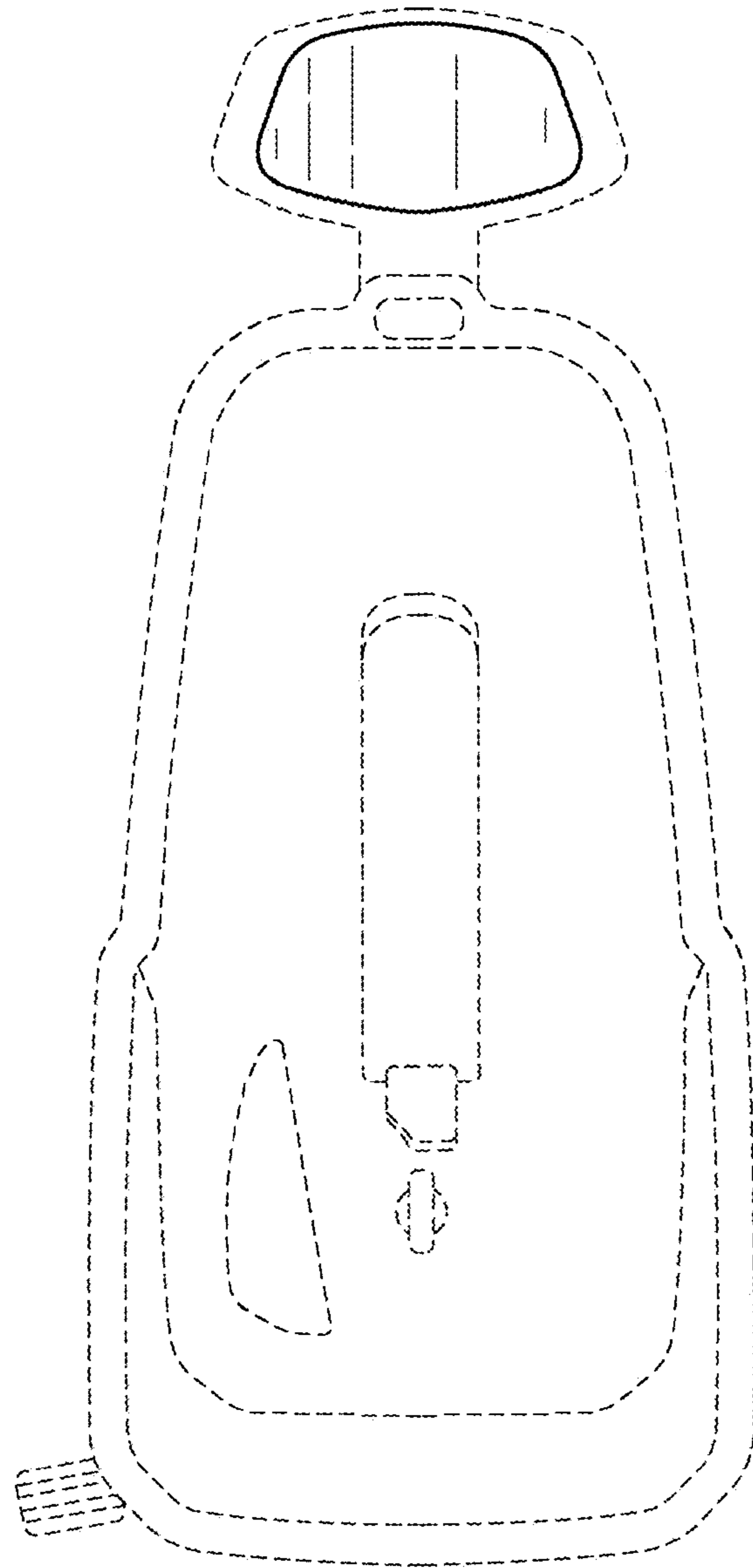


FIG. 6



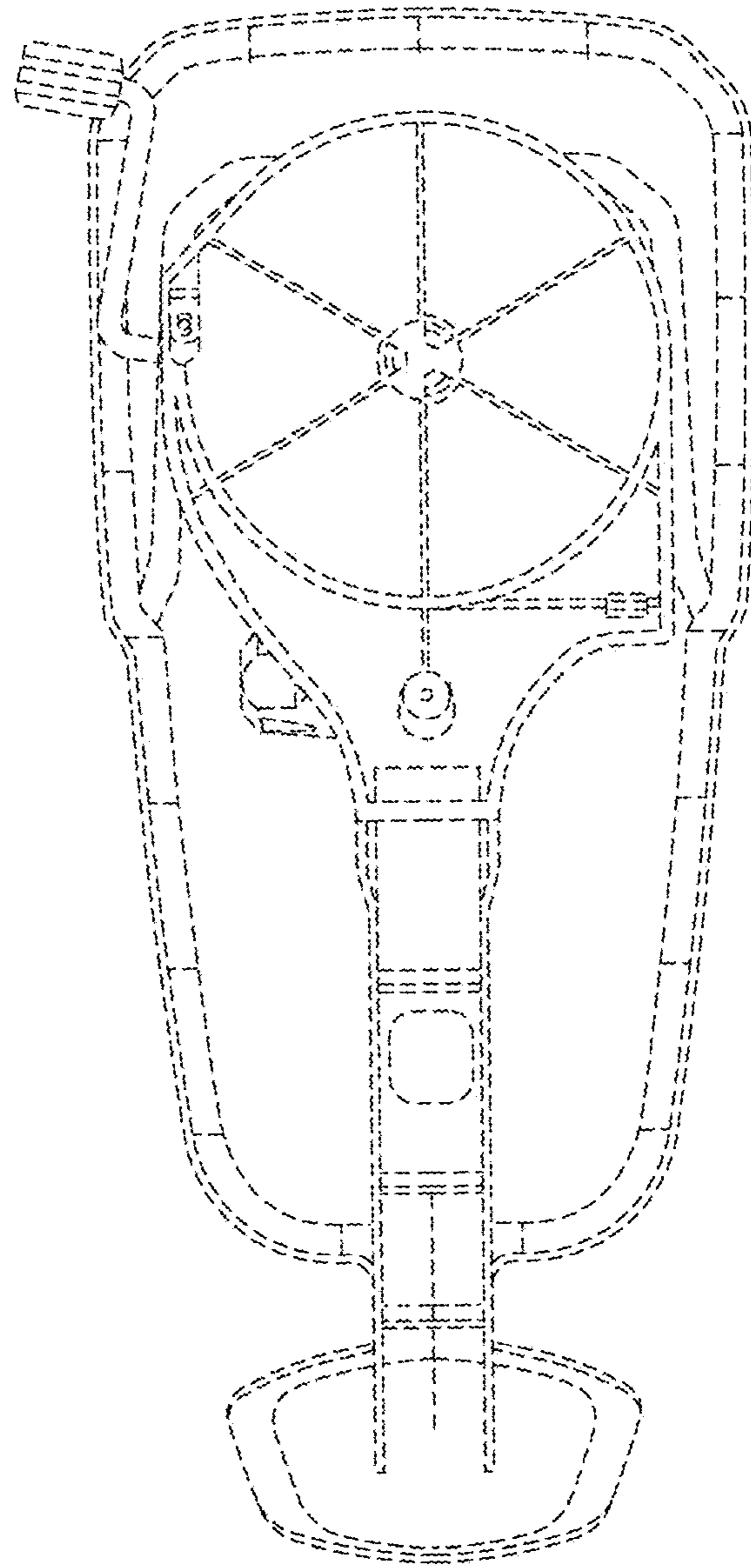


FIG. 7