



US00D896598S

(12) **United States Design Patent** (10) **Patent No.:** **US D896,598 S**  
**Connor et al.** (45) **Date of Patent:** **\*\* Sep. 22, 2020**

(54) **TONGS**

(71) Applicant: **Haier US Appliance Solutions, Inc.**,  
Wilmington, DE (US)

(72) Inventors: **Austin B. Connor**, Louisville, KY  
(US); **Justin Tyler Brown**, Louisville,  
KY (US)

(73) Assignee: **Haier US Appliance Solutions, Inc.**,  
Wilmington, DE (US)

(\*\*) Term: **15 Years**

(21) Appl. No.: **29/687,035**

(22) Filed: **Apr. 10, 2019**

(51) **LOC (12) Cl.** ..... **07-06**

(52) **U.S. Cl.**  
USPC ..... **D7/687**

(58) **Field of Classification Search**  
USPC ..... D7/680-696, 368, 669, 401.2; D8/51,  
D8/71, 72, 52, 54  
CPC ..... A47J 43/283; A47J 43/28; A47J 43/288;  
A47J 37/0786; A47G 21/10; A47G 21/02;  
A47G 21/06; A47G 21/00; A47G 21/103;  
A47G 21/106; A47G 43/28; A61J 7/0023;  
B25J 11/0045; B25J 1/02; B25J 1/06;  
A21C 15/00; B25B 9/02; B25B 9/00;  
B25B 7/00; B25B 7/02

See application file for complete search history.

(56) **References Cited**

U.S. PATENT DOCUMENTS

2,990,863	A *	7/1961	Pantermoller .....	A47J 43/14 30/135
4,299,146	A *	11/1981	Phelps .....	B25B 7/04 269/258
D297,603	S *	9/1988	Zabarte .....	D7/666
D335,249	S *	5/1993	Hopkins .....	D8/52
D355,825	S *	2/1995	Moyer .....	D8/52
D426,440	S *	6/2000	Torres .....	D8/52
D543,813	S *	6/2007	Tutorow .....	D8/52

\* cited by examiner

*Primary Examiner* — Terry A Wallace

(74) *Attorney, Agent, or Firm* — Dority & Manning, P.A.

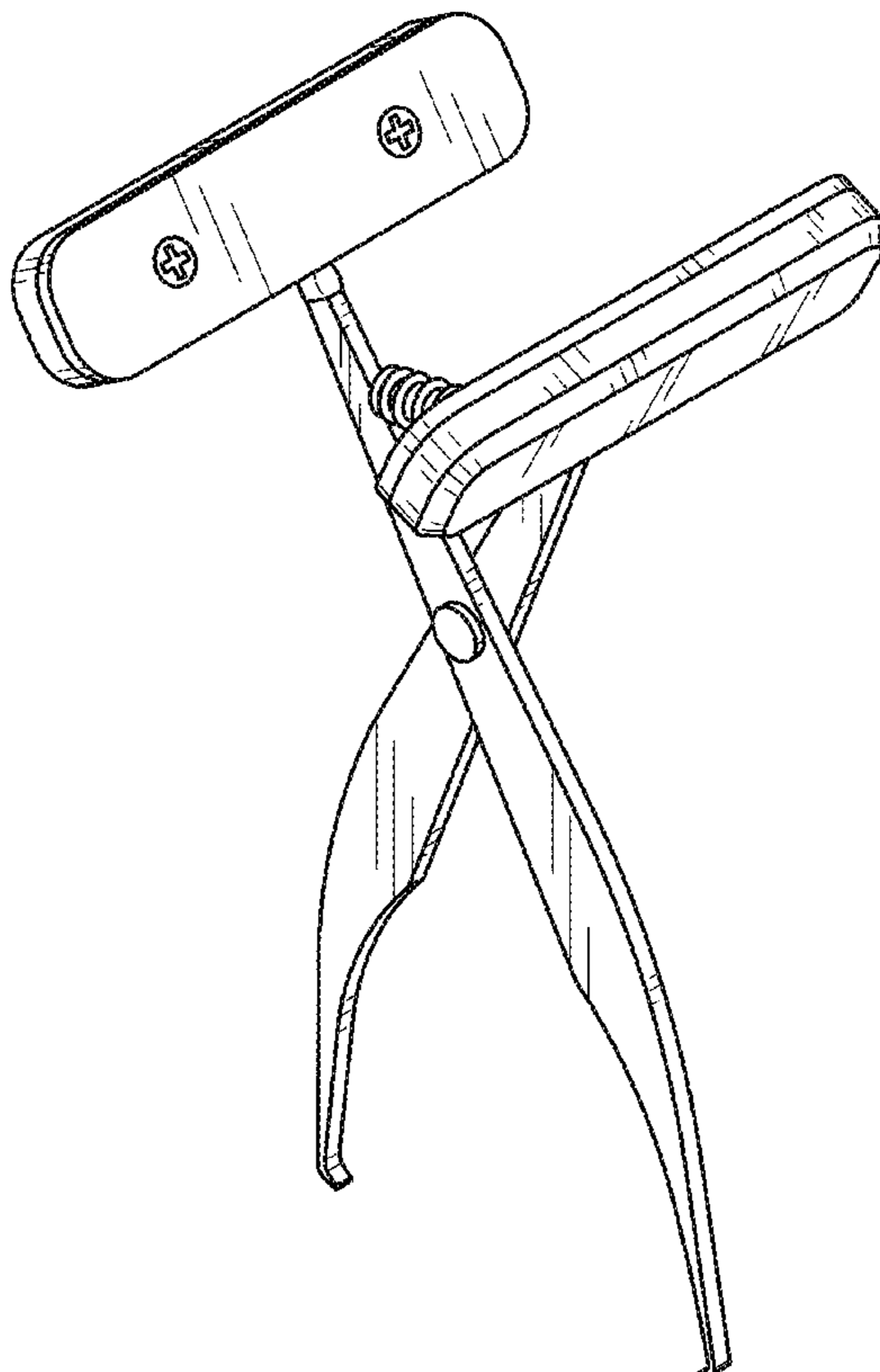
(57) **CLAIM**

The ornamental design for tongs, substantially as shown and described.

**DESCRIPTION**

FIG. 1 is a perspective view illustrating ornamental features of the tongs;  
FIG. 2 is side view thereof;  
FIG. 3 is an opposing side view thereof;  
FIG. 4 is a profile view thereof;  
FIG. 5 is an opposing profile view thereof;  
FIG. 6 is a top view thereof; and,  
FIG. 7 is a bottom view thereof.  
The lines indicating shading in FIGS. 1-7 are for illustrative purposes only and form no part of the claimed design.

**1 Claim, 6 Drawing Sheets**



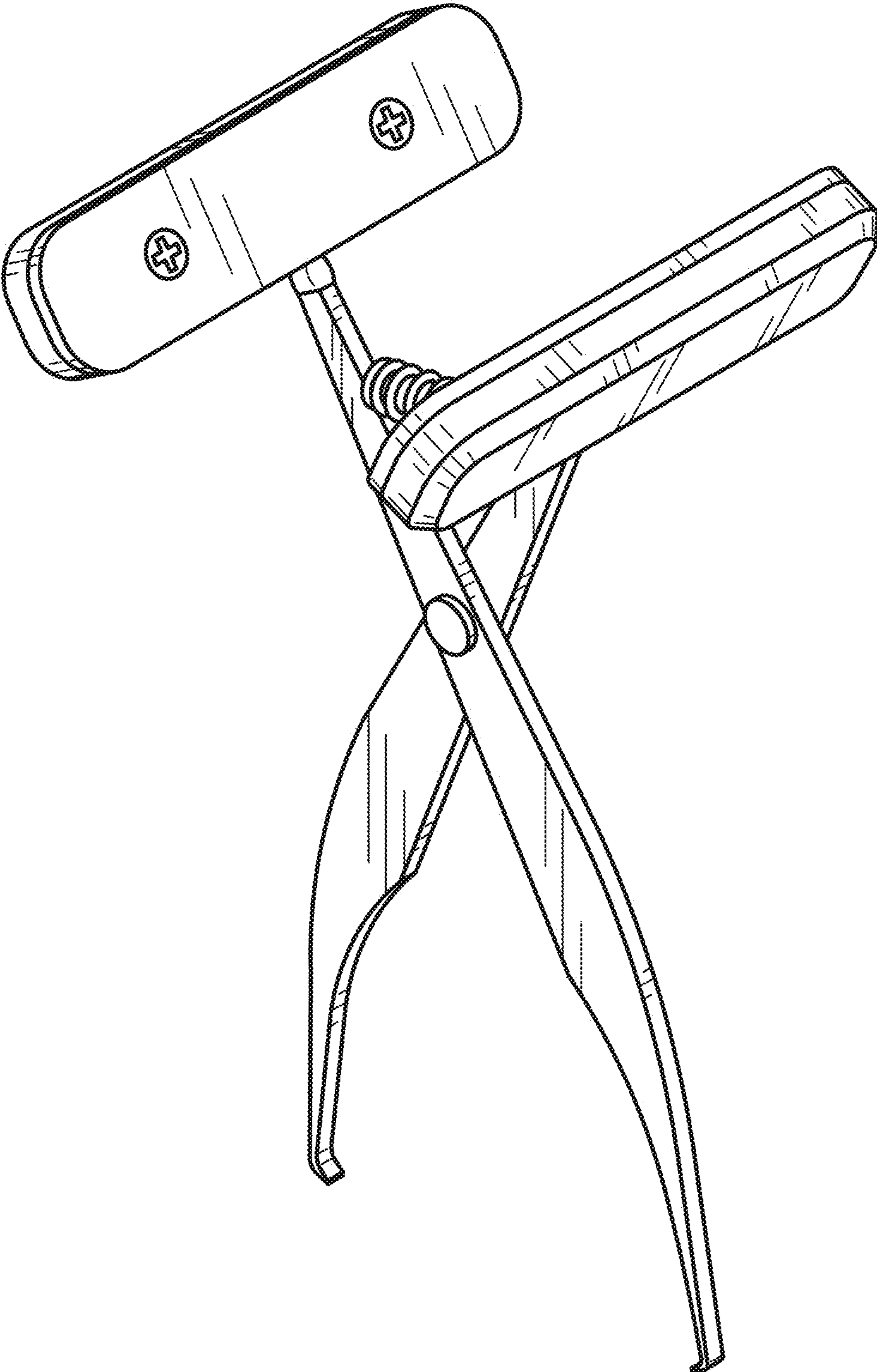


FIG. 1

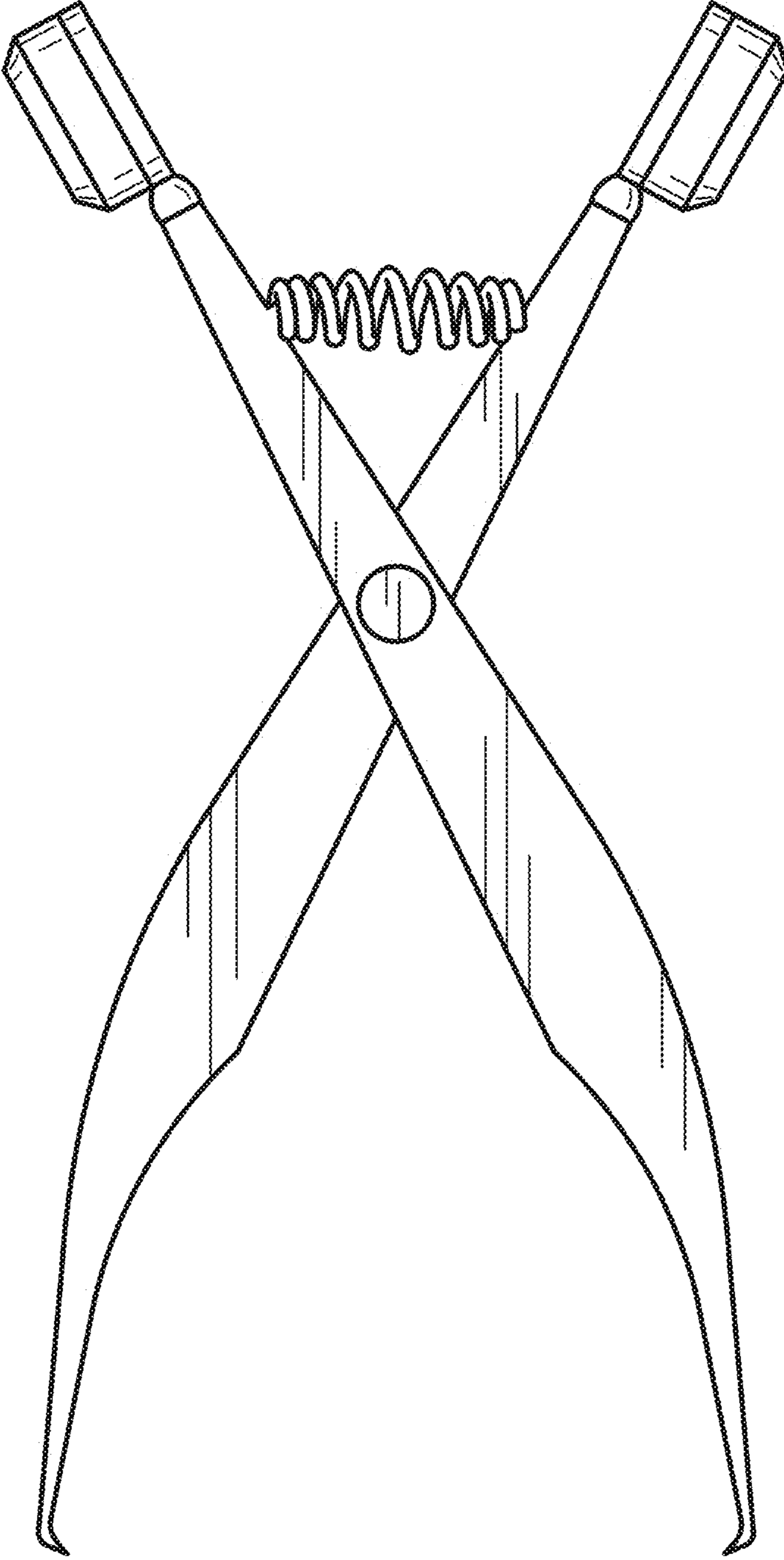


FIG. 2

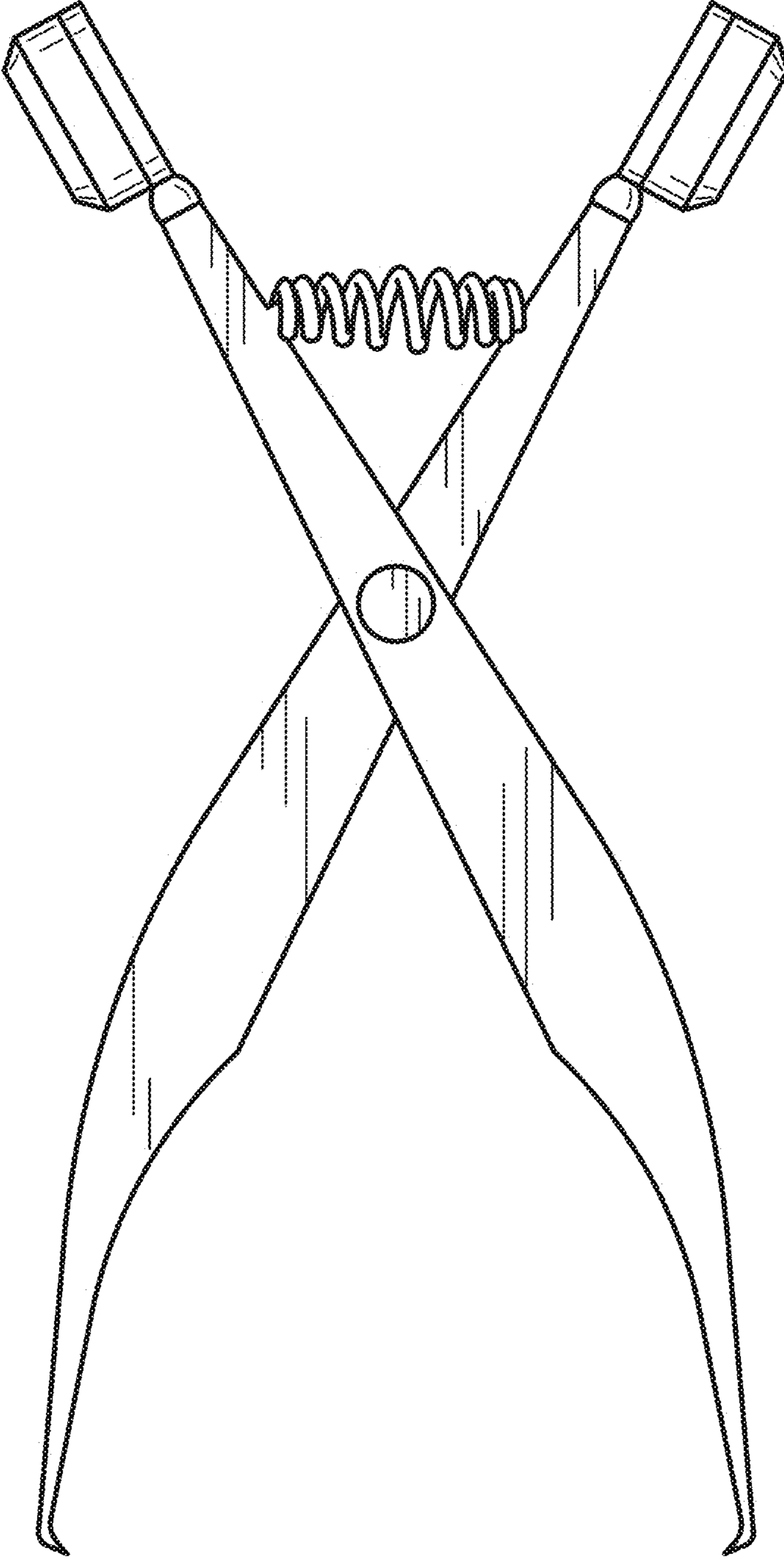


FIG. 3

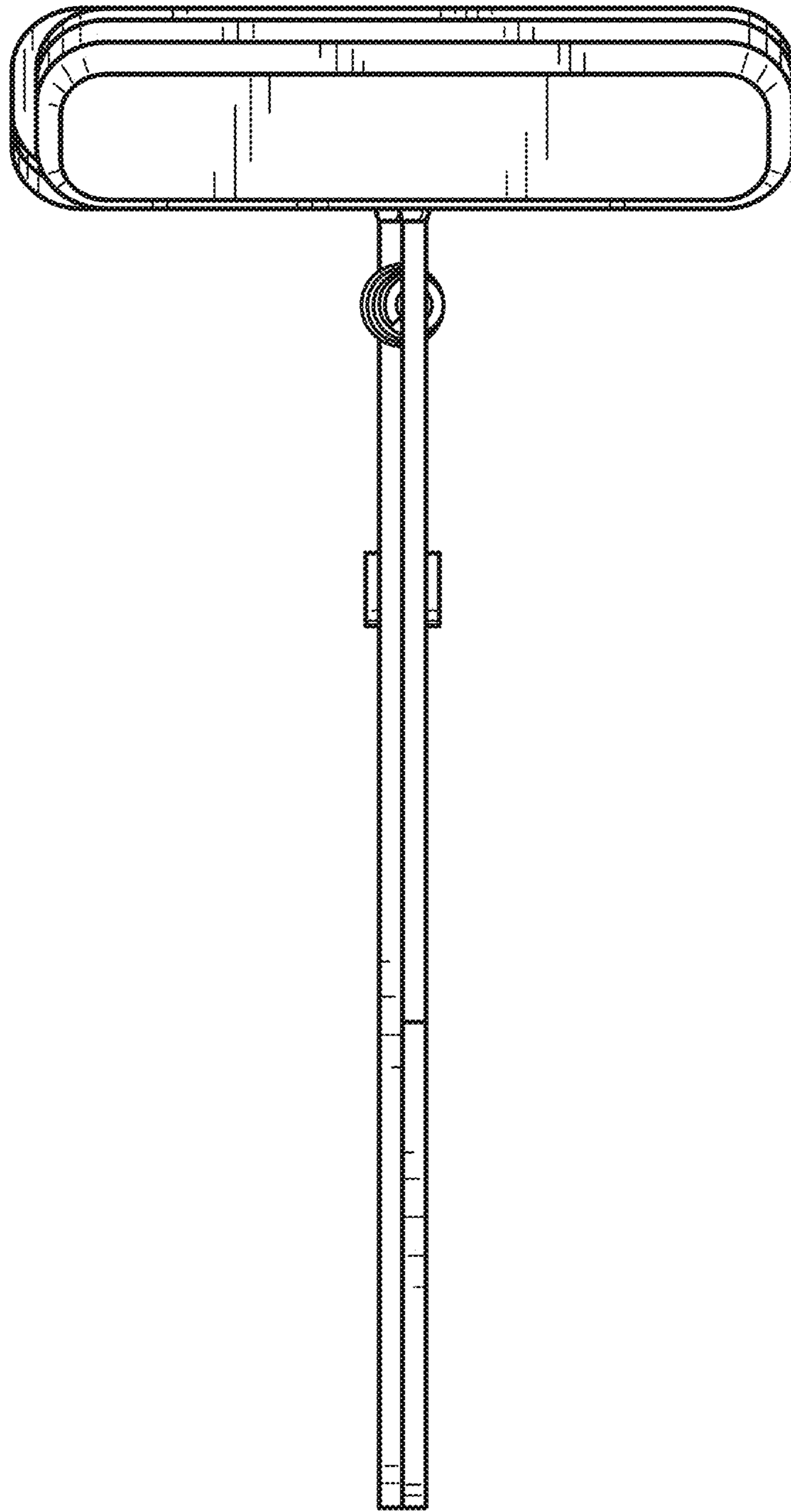


FIG. 4

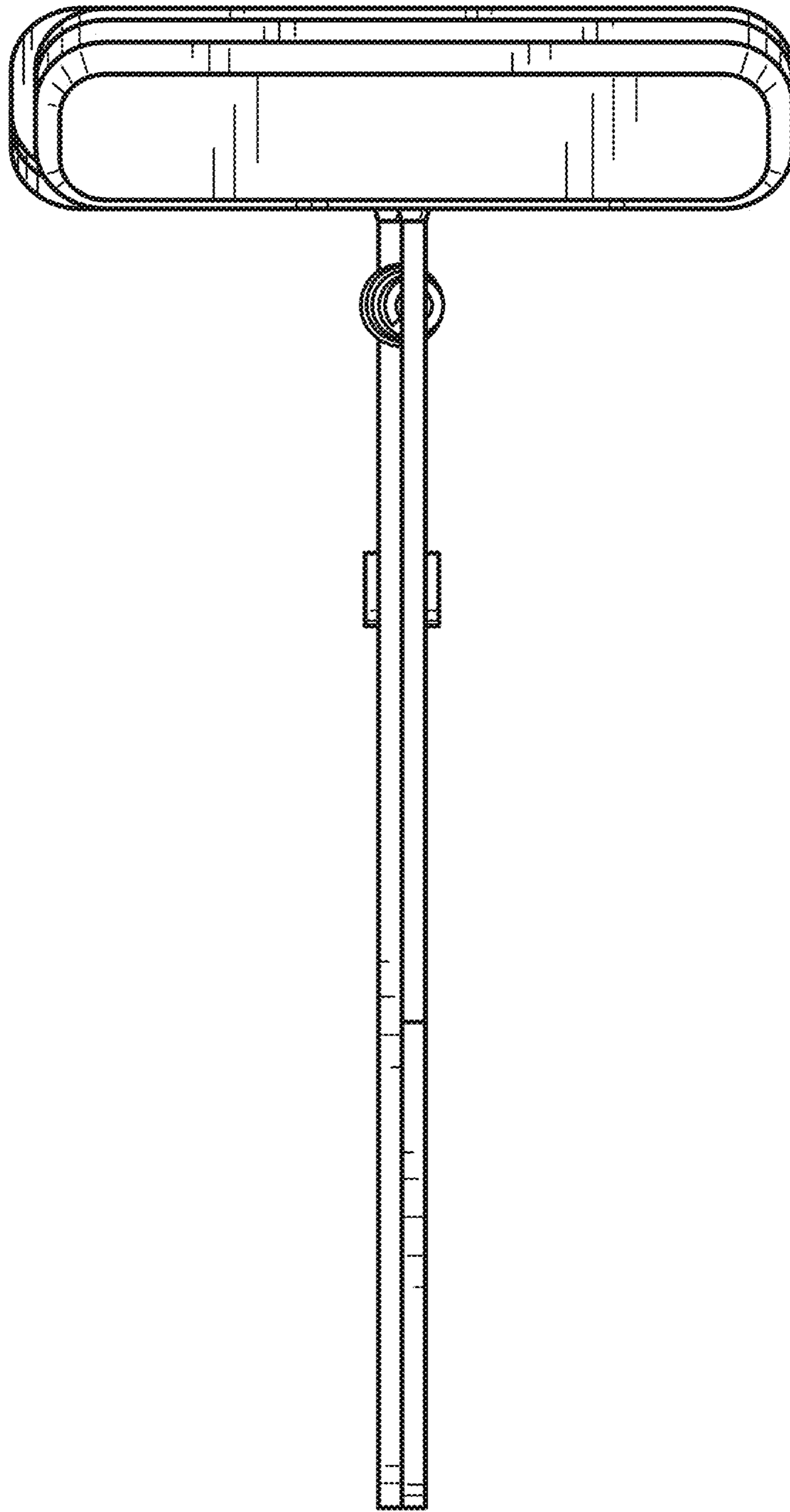


FIG. 5

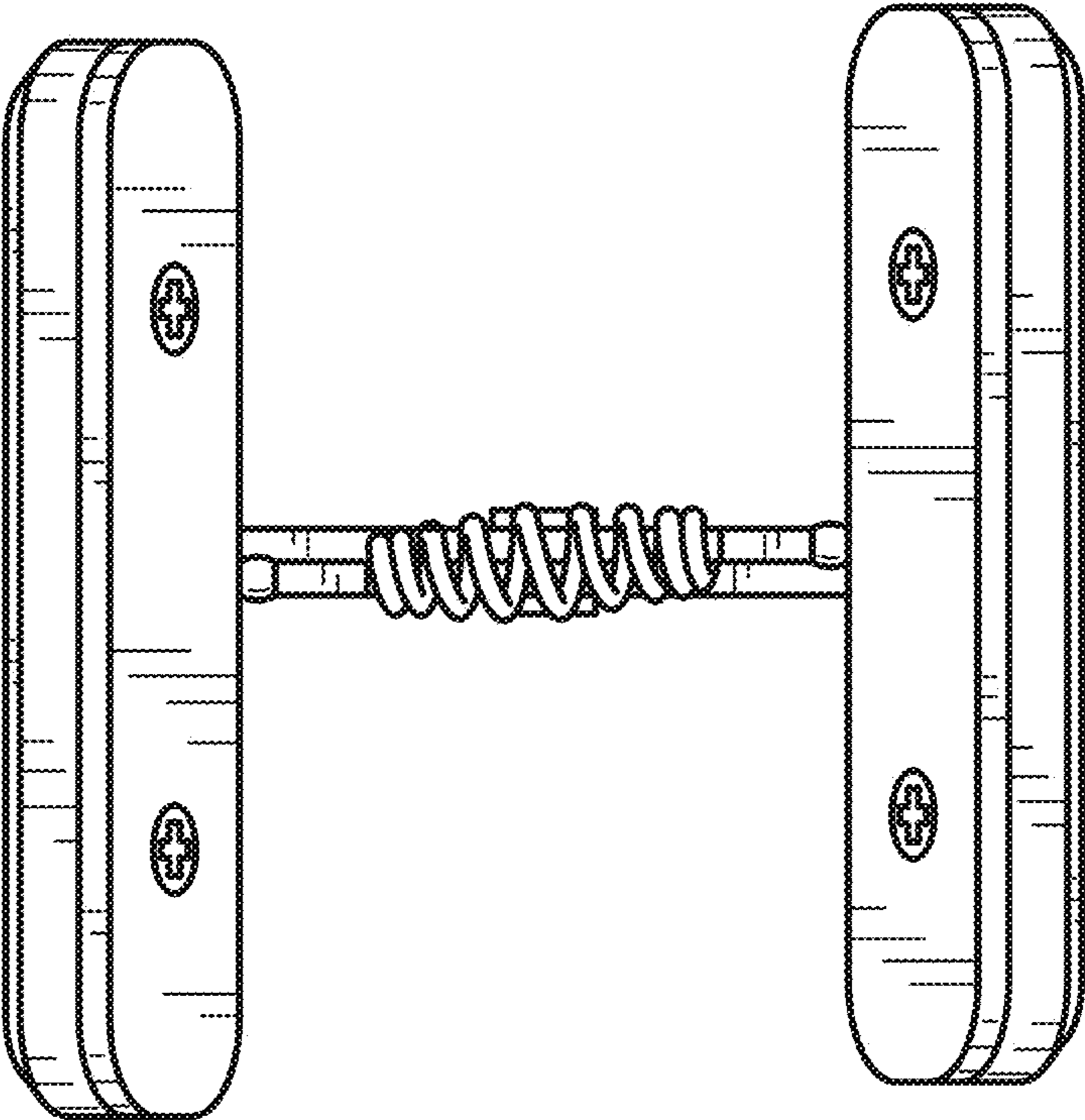


FIG. 6

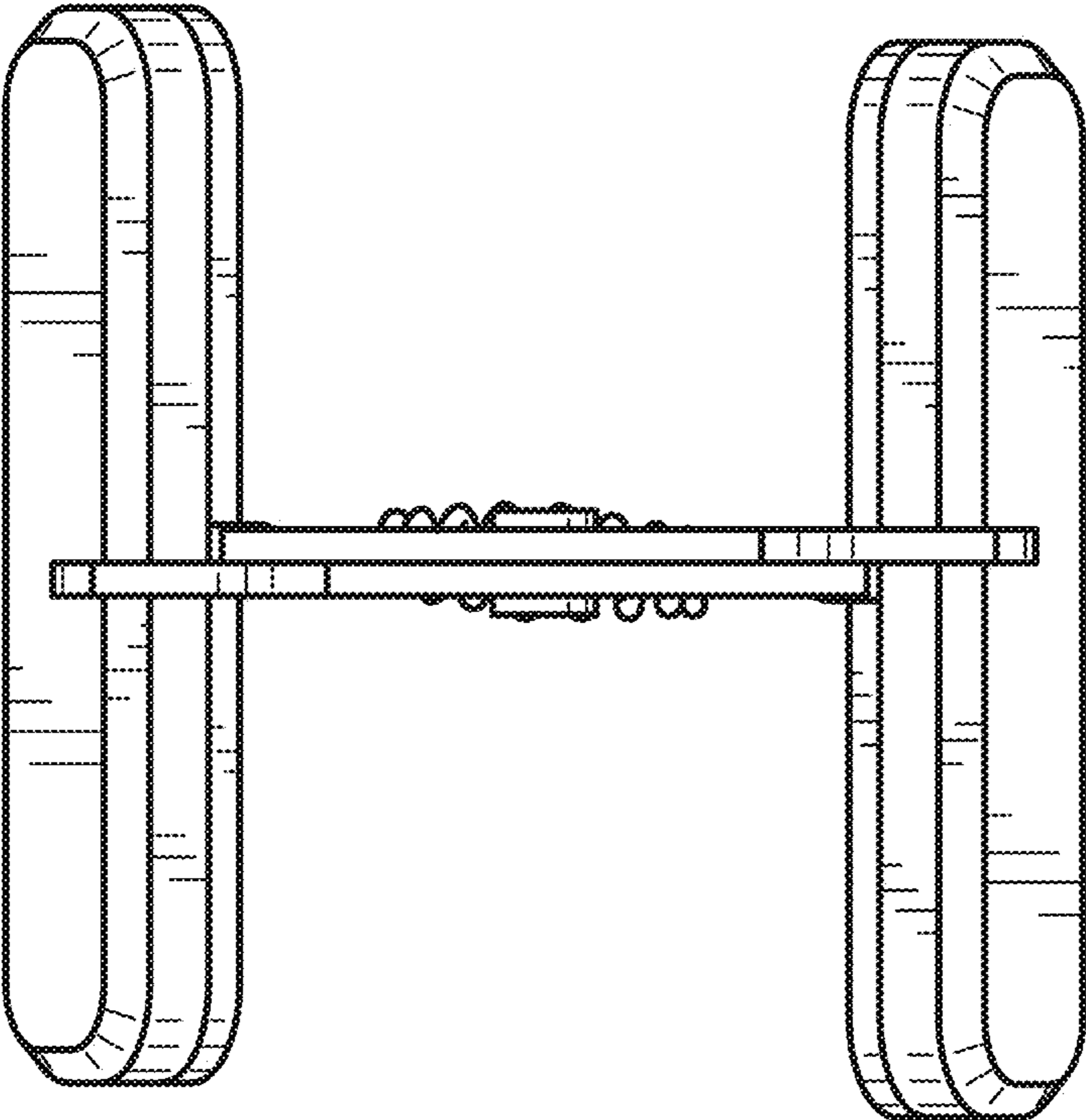


FIG. 7