



US00D896597S

(12) **United States Design Patent** (10) **Patent No.:** **US D896,597 S**
Deglon (45) **Date of Patent:** **** Sep. 22, 2020**

(54) **FOOD DRESSING PLIERS**
(71) Applicant: **ETS JEAN DEGLON**, Thiers (FR)
(72) Inventor: **Thierry Deglon**, Dorat (FR)
(73) Assignee: **ETS JEAN DEGLON**, Thiers (FR)
(**) Term: **15 Years**

(21) Appl. No.: **29/686,819**
(22) Filed: **Apr. 8, 2019**

(30) **Foreign Application Priority Data**

Dec. 3, 2018 (EM) 005842671

(51) **LOC (12) Cl.** **07-06**

(52) **U.S. Cl.**
USPC **D7/686**

(58) **Field of Classification Search**

USPC D7/680-696, 368, 669, 401.2, 642;
D8/51, 71, 72, 52, 54; D24/143, 152,
D24/153; D28/55
CPC A47J 43/283; A47J 43/28; A47J 43/288;
A47J 37/0786; A47G 21/10; A47G 21/02;
A47G 21/06; A47G 21/00; A47G 21/103;
A47G 21/106; A47G 43/28; A61J 7/0023;
B25J 11/0045; B25J 1/02; B25J 1/06;
A21C 15/00; B25B 9/02; B25B 9/00;
B25B 7/00; B25B 7/02; A61B 2017/505;
A61B 2017/308; A61B 2017/2946; A61C
7/04

See application file for complete search history.

(56) **References Cited**

U.S. PATENT DOCUMENTS

D212,166 S * 9/1968 Hill D7/686
D215,468 S * 10/1969 Callahan, Jr. D7/686

D228,868 S * 10/1973 Bush D8/4
D299,996 S * 2/1989 Tucker D7/686
D435,201 S * 12/2000 Wang D7/642
D483,909 S * 12/2003 Todeschini D28/55
D510,239 S * 10/2005 Bertulis D7/686
D592,917 S * 5/2009 Jalet D7/686
D763,635 S * 8/2016 Frank D7/686
2015/0230884 A1* 8/2015 McDonald A61B 17/30
433/157
2016/0166039 A1* 6/2016 Luu B26B 17/00
30/175

* cited by examiner

Primary Examiner — Terry A Wallace

(74) *Attorney, Agent, or Firm* — Oliff PLC

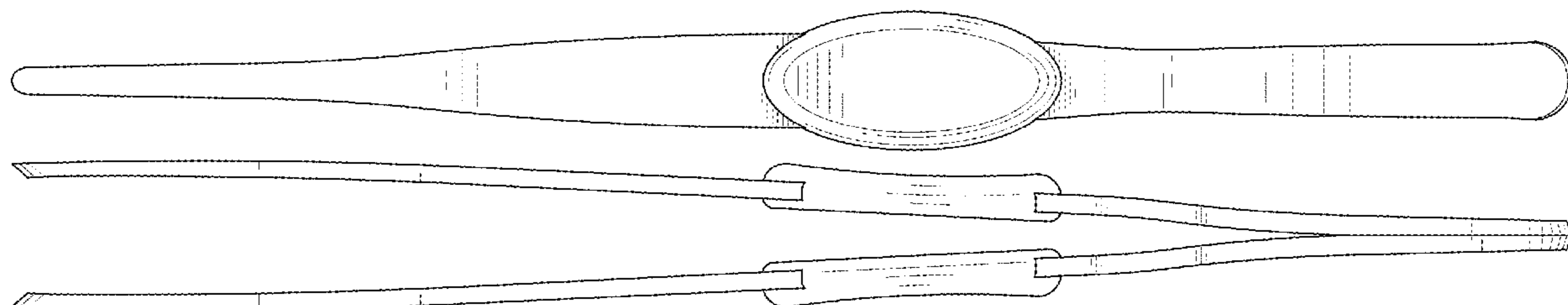
(57) **CLAIM**

The ornamental design for food dressing pliers, as shown and described.

DESCRIPTION

FIG. 1 is a right-side elevational view of a first embodiment of the food dressing pliers, the left-side elevational view (not provided) being a mirror image thereof;
FIG. 2 is a top plan view thereof, the bottom plan view (not provided) being a mirror image thereof;
FIG. 3 is a front elevational view thereof;
FIG. 4 is a rear elevational view thereof; and
FIG. 5 is a right-side, top perspective view thereof.
FIG. 6 is a right-side elevational view of a second embodiment of the food dressing pliers, the left-side elevational view (not provided) being a mirror image thereof;
FIG. 7 is a top plan view thereof;
FIG. 8 is a bottom plan view thereof;
FIG. 9 is a front elevational view thereof;
FIG. 10 is a rear elevational view thereof; and,
FIG. 11 is a left-side, top perspective view thereof.

1 Claim, 4 Drawing Sheets



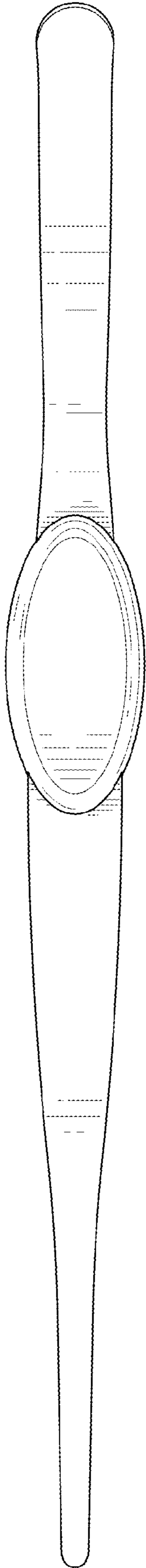


FIG. 1

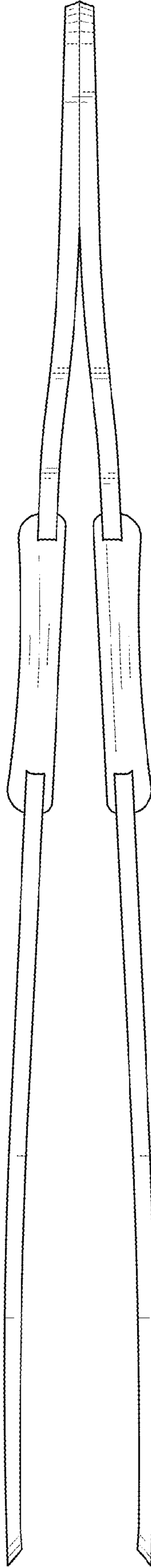


FIG. 2

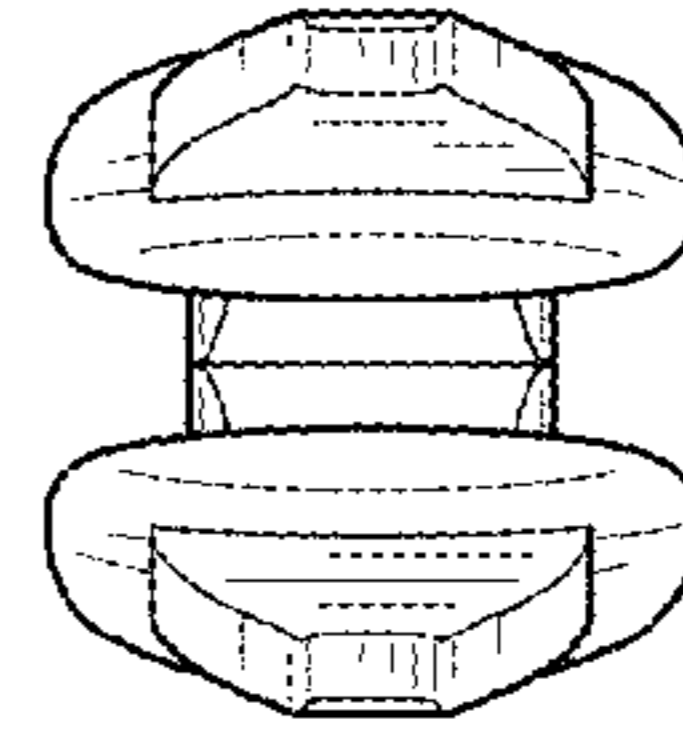


FIG. 3

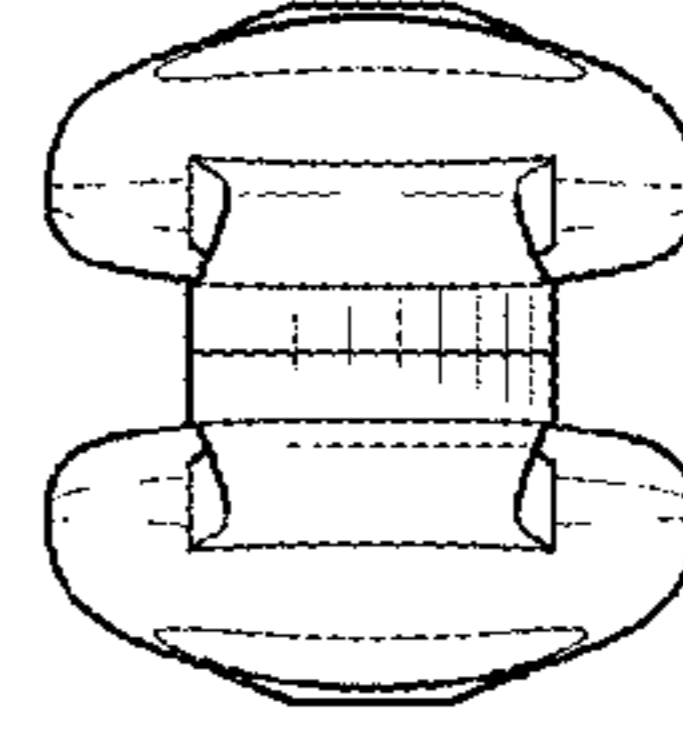


FIG. 4

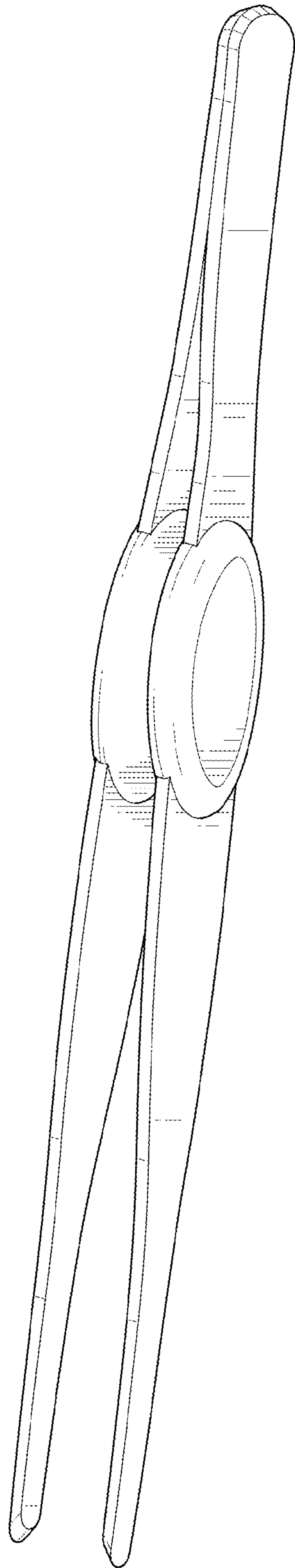


FIG. 5

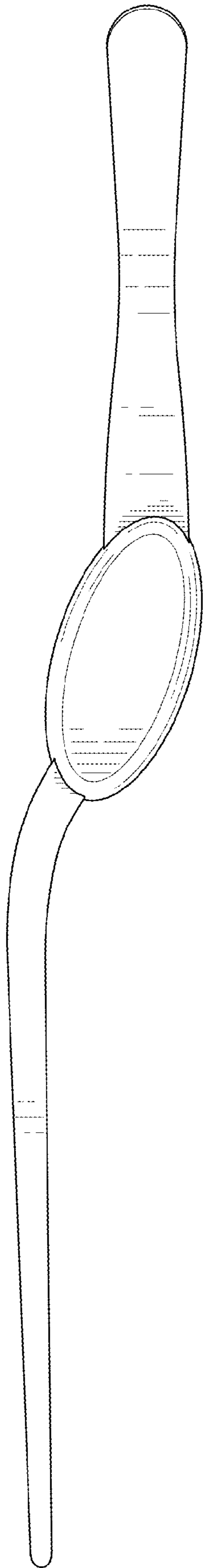


FIG. 6

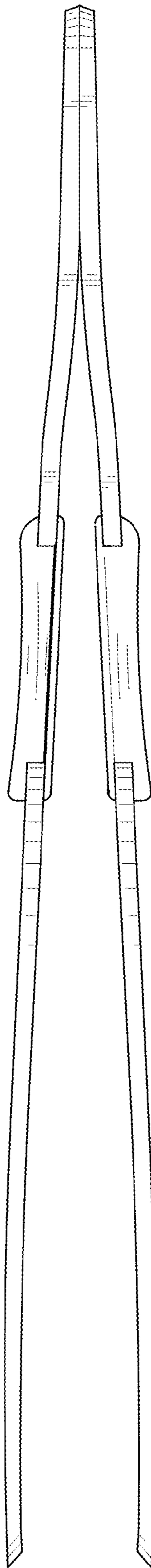


FIG. 7

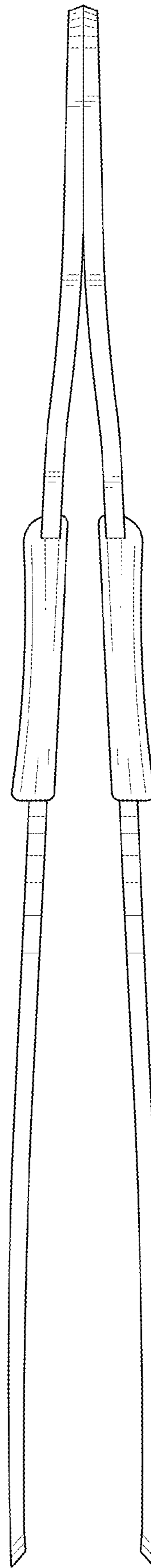


FIG. 8

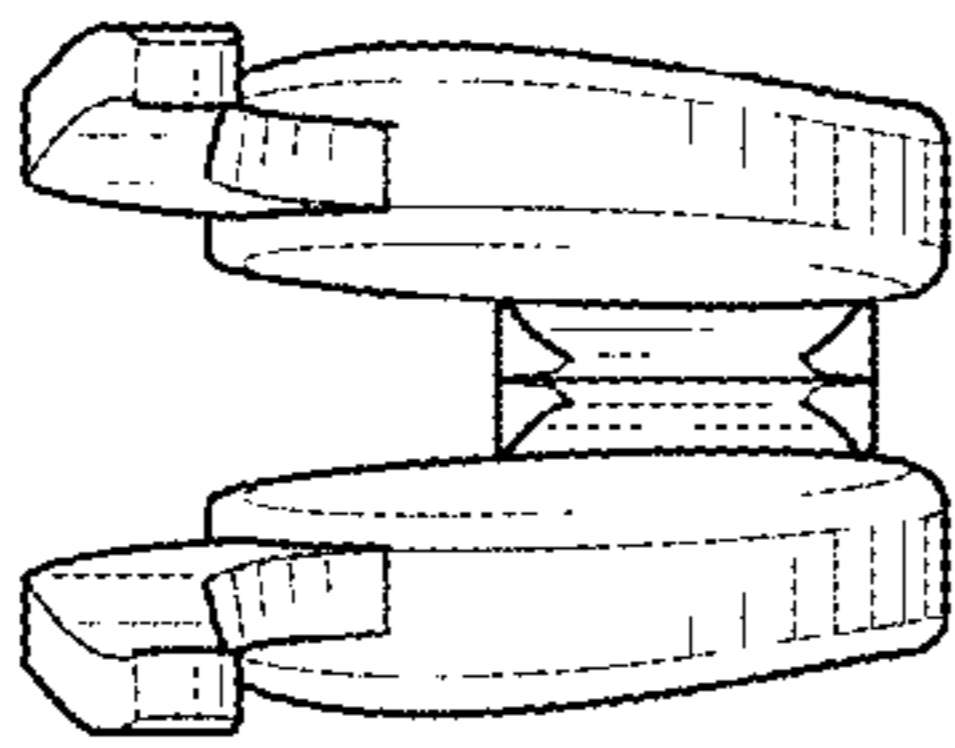


FIG. 9

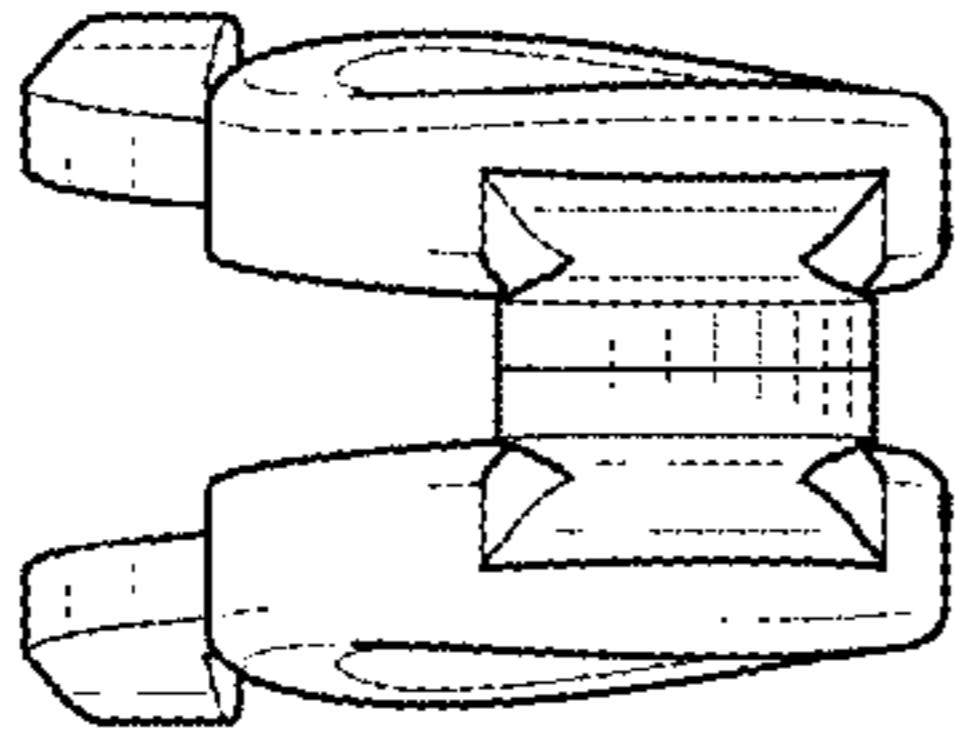


FIG. 10

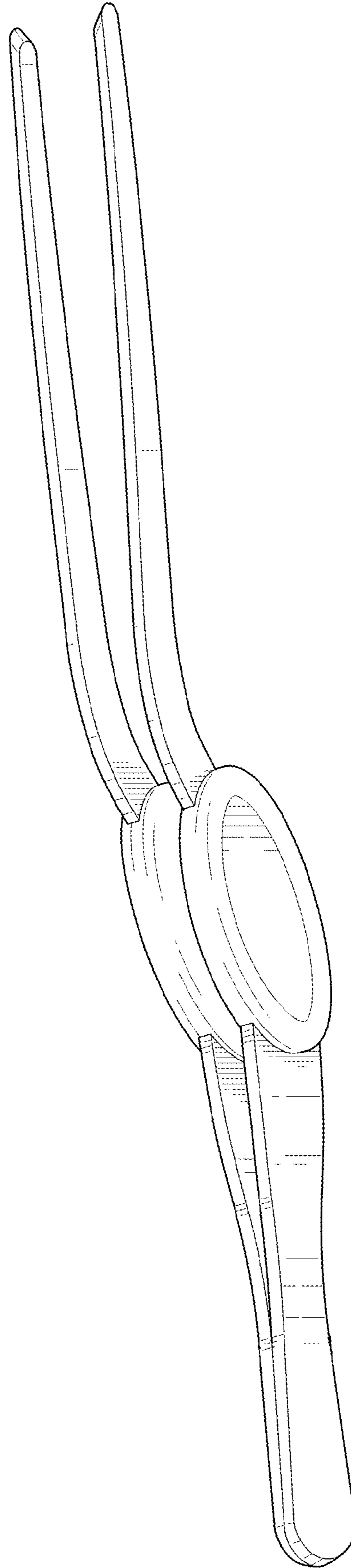


FIG. 11