



US00D896596S

(12) **United States Design Patent** (10) **Patent No.:** **US D896,596 S**
Kent (45) **Date of Patent:** **** Sep. 22, 2020**

(54) **ROTARY HERB CHOPPER** 7,422,169 B2 * 9/2008 Mueller A47J 43/1068
241/168
(71) Applicant: **PROGRESSIVE INTERNATIONAL** D673,006 S * 12/2012 Kent D7/372
CORPORATION, Kent, WA (US) 8,402,886 B2 3/2013 Herren
8,635,948 B2 1/2014 Herren
(72) Inventor: **Joseph Kent, Seattle, WA (US)** D799,262 S 10/2017 Feng
D833,805 S 11/2018 Chen
2007/0180727 A1 8/2007 Wan et al.
(73) Assignee: **Progressive International** 2009/0320696 A1 12/2009 Herren
Corporation, Kent, WA (US) 2011/0226140 A1 9/2011 Herren
2013/0184118 A1 7/2013 Chan et al.

(**) Term: **15 Years**

FOREIGN PATENT DOCUMENTS

(21) Appl. No.: **29/675,574**
(22) Filed: **Jan. 3, 2019**
(51) **LOC (12) Cl.** **07-04**
(52) **U.S. Cl.**
USPC **D7/679; D7/372**
(58) **Field of Classification Search**
USPC D7/679, 372, 373, 374, 376, 378, 380,
D7/381, 384
CPC A47J 43/25; A47J 43/255; A47J 43/1068;
A47J 43/044; A47J 43/00; A47J 43/06;
A47J 42/34; A47J 42/00; A47J
2043/04409
See application file for complete search history.

CA 2444353 C 3/2010

* cited by examiner

Primary Examiner — Terry A Wallace
(74) *Attorney, Agent, or Firm* — Lowe Graham Jones
PLLC

(57) **CLAIM**

I claim the ornamental design for a rotary herb chopper, as shown and described.

DESCRIPTION

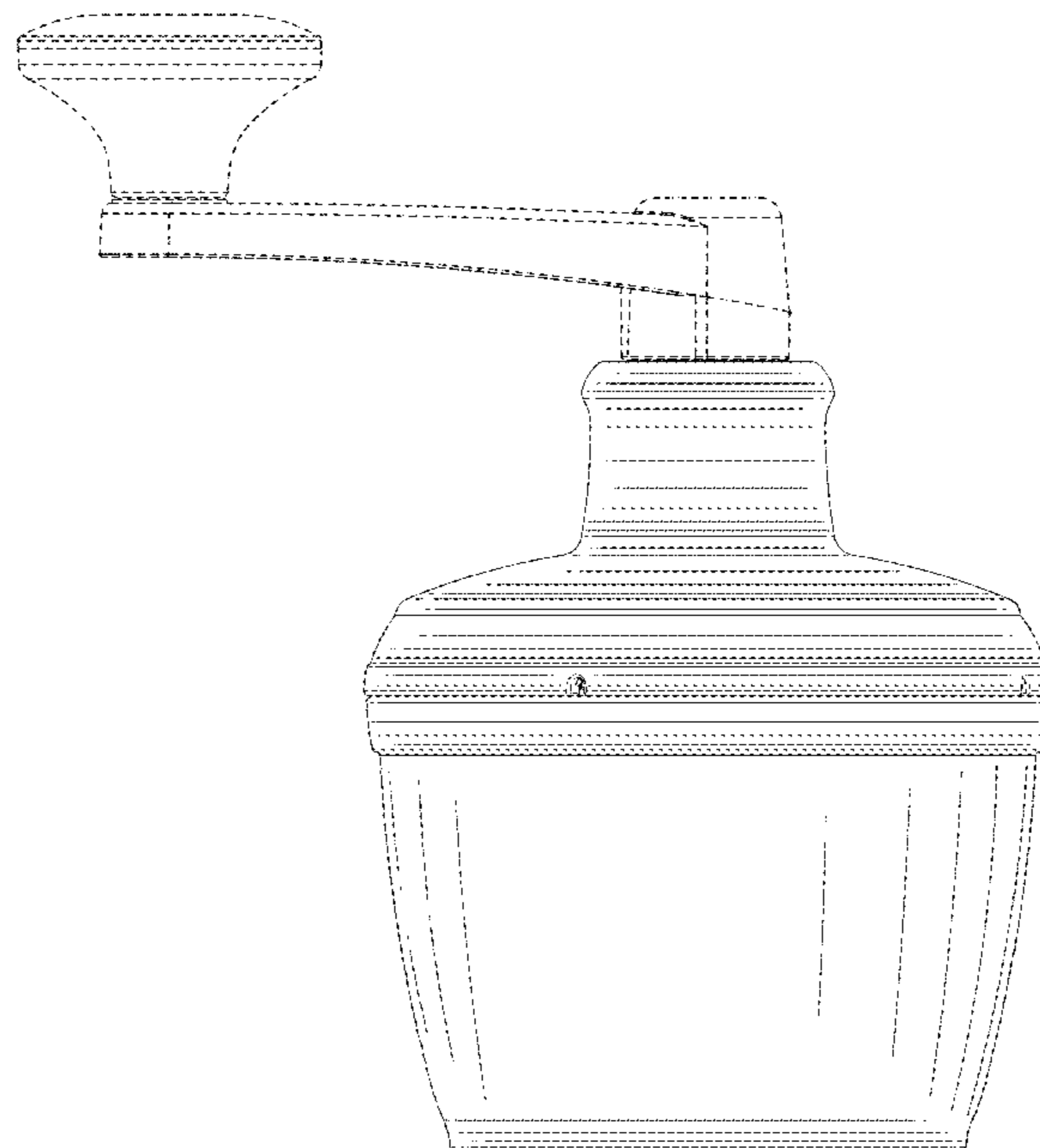
FIG. 1 is a bottom perspective view of a rotary herb chopper, showing my new design.
FIG. 2 is a front elevational view of the rotary herb chopper.
FIG. 3 is a rear elevational view of the rotary herb chopper.
FIG. 4 is a left side elevational view of the rotary herb chopper.
FIG. 5 is a right side elevational view of the rotary herb chopper.
FIG. 6 is a top plan view of the rotary herb chopper; and,
FIG. 7 is a bottom plan view of the rotary herb chopper.
Features shown in broken lines form no part of the claimed design.

(56) **References Cited**

U.S. PATENT DOCUMENTS

4,588,136 A * 5/1986 Homma A47J 43/255
241/95
5,035,320 A 7/1991 Plone
5,156,084 A * 10/1992 Lin A47J 43/06
210/380.1
5,735,193 A 4/1998 Chang
6,035,771 A 3/2000 Conran et al.
D431,426 S * 10/2000 Yip D7/679
D530,995 S * 10/2006 Jalet D7/693
7,264,189 B2 9/2007 Holcomb et al.

1 Claim, 7 Drawing Sheets



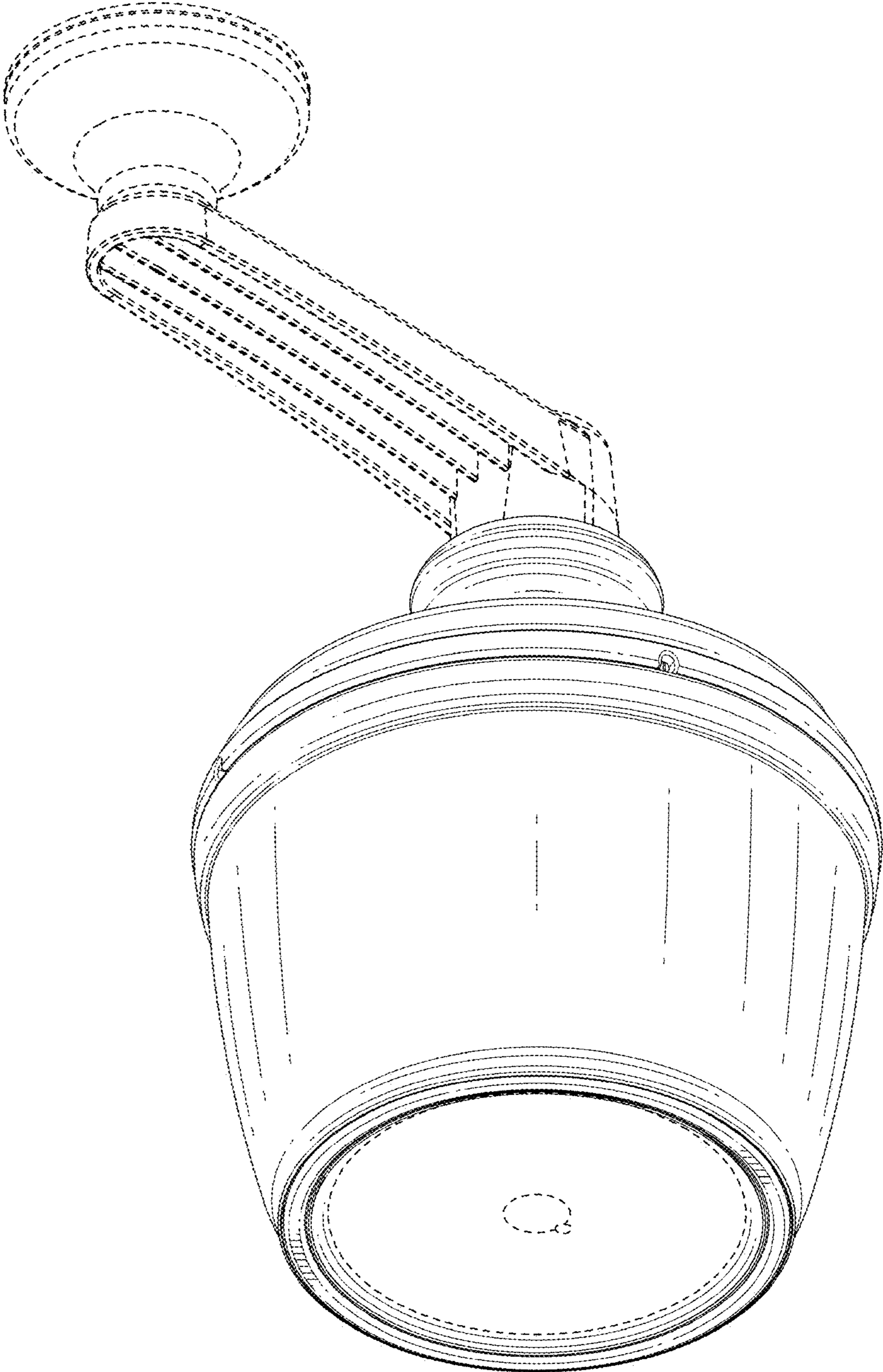


FIG. 1

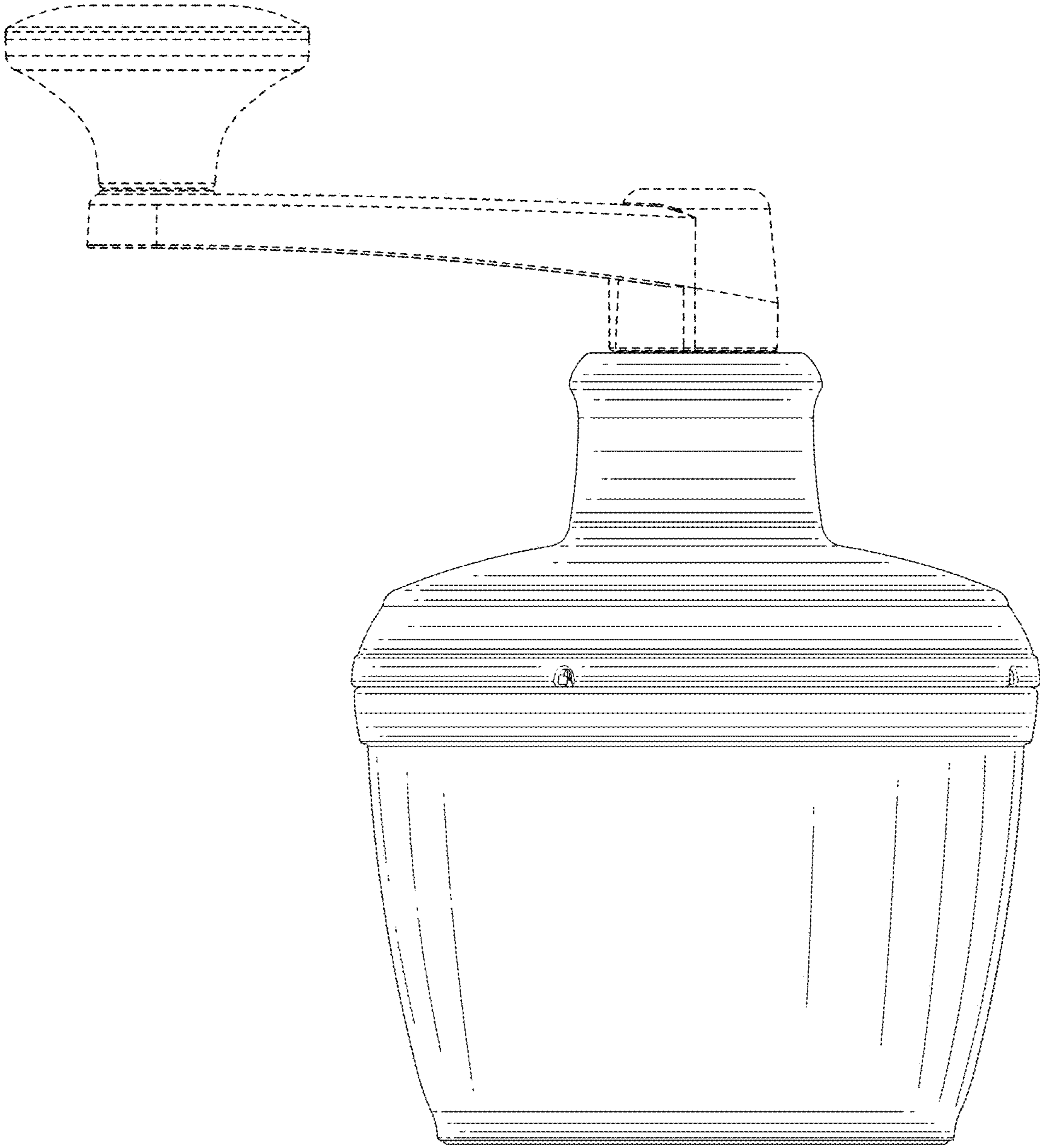


FIG. 2

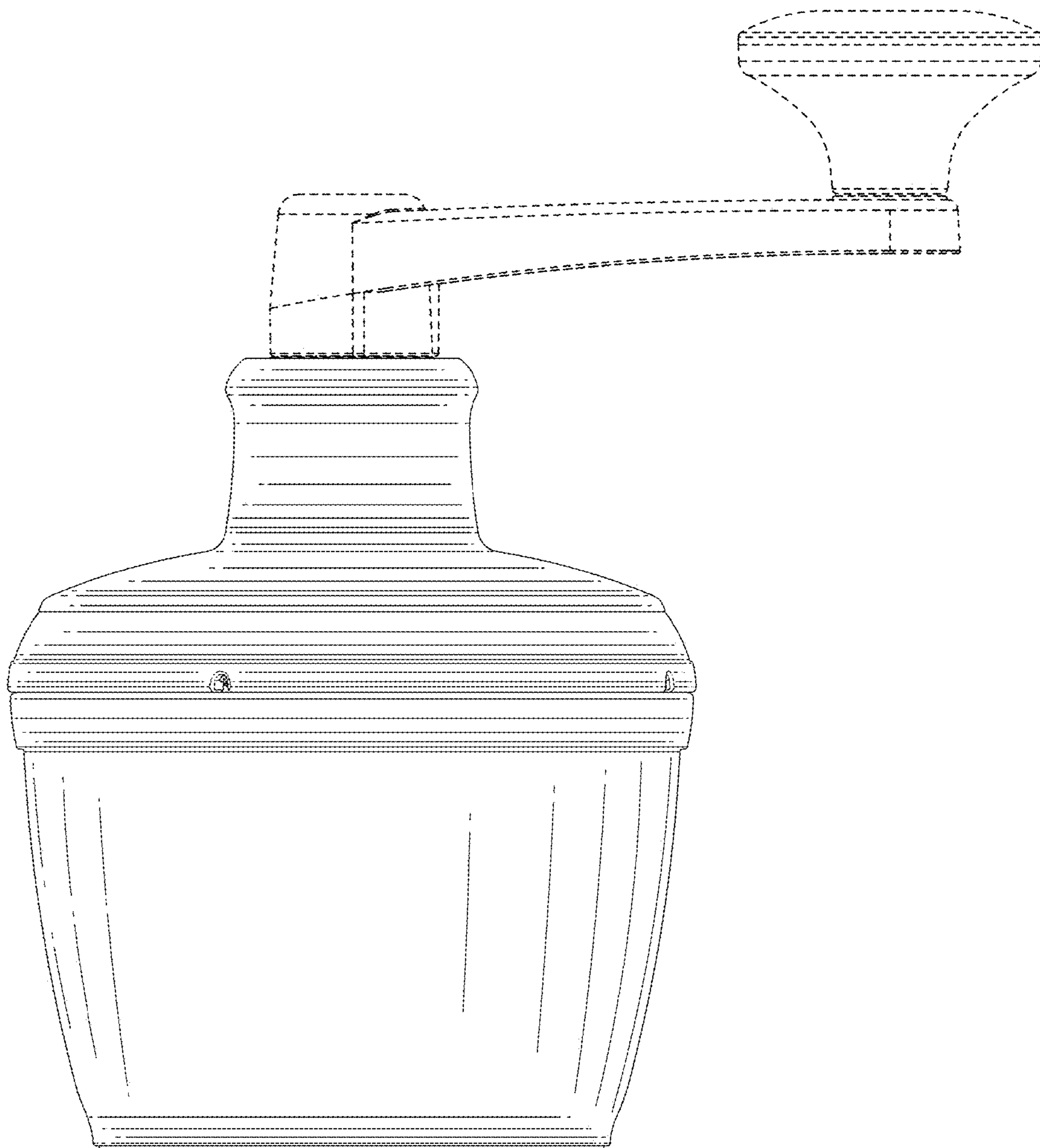


FIG. 3

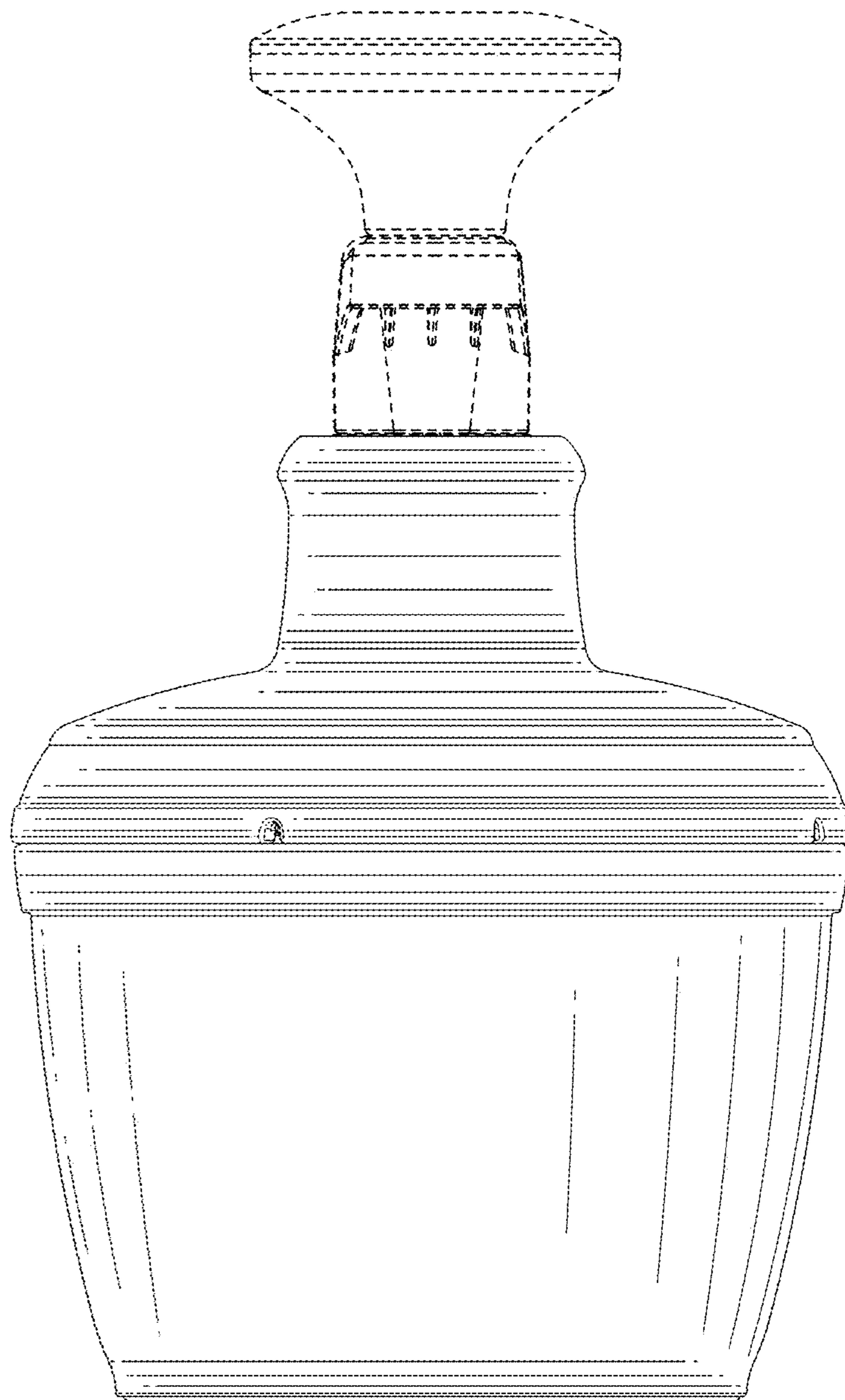


FIG. 4

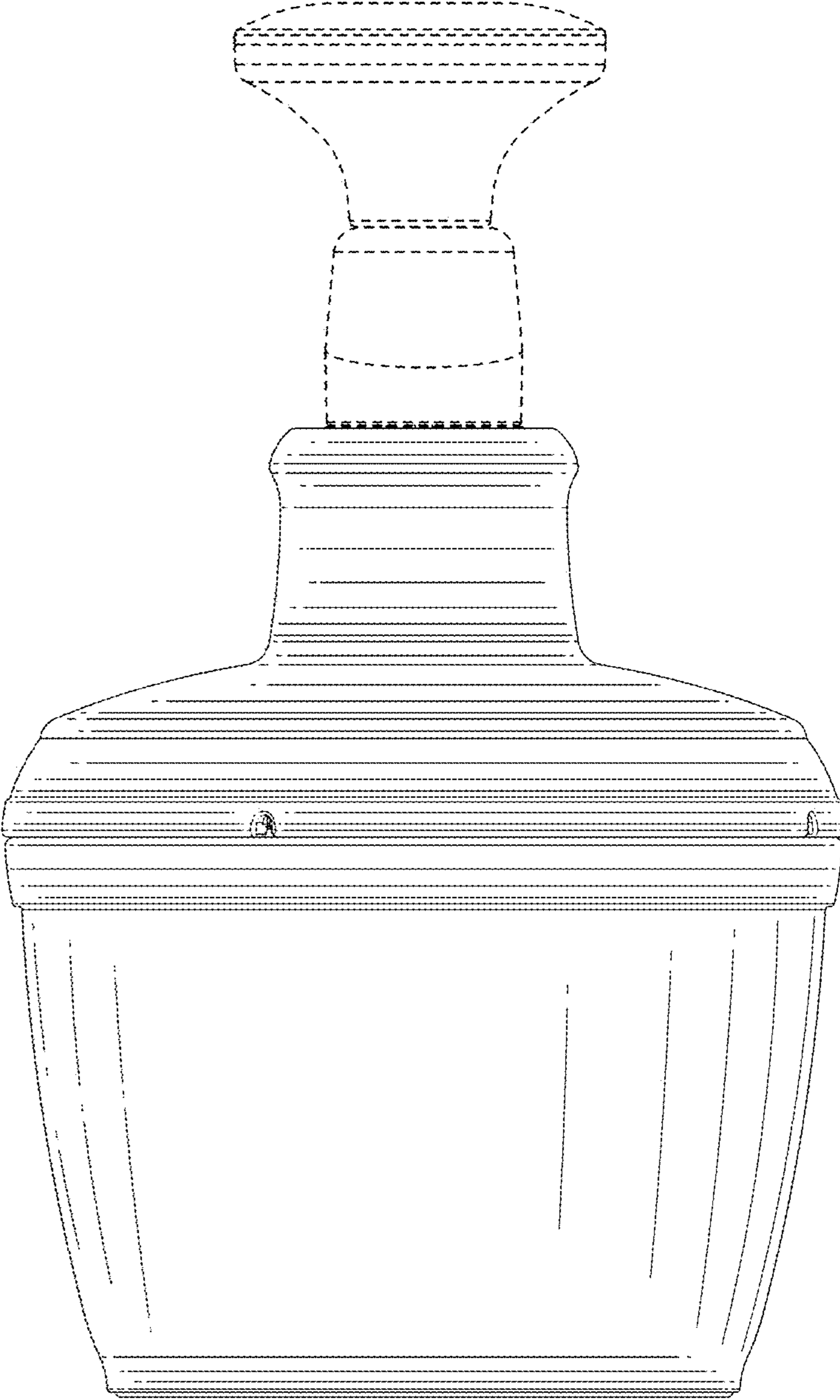


FIG. 5

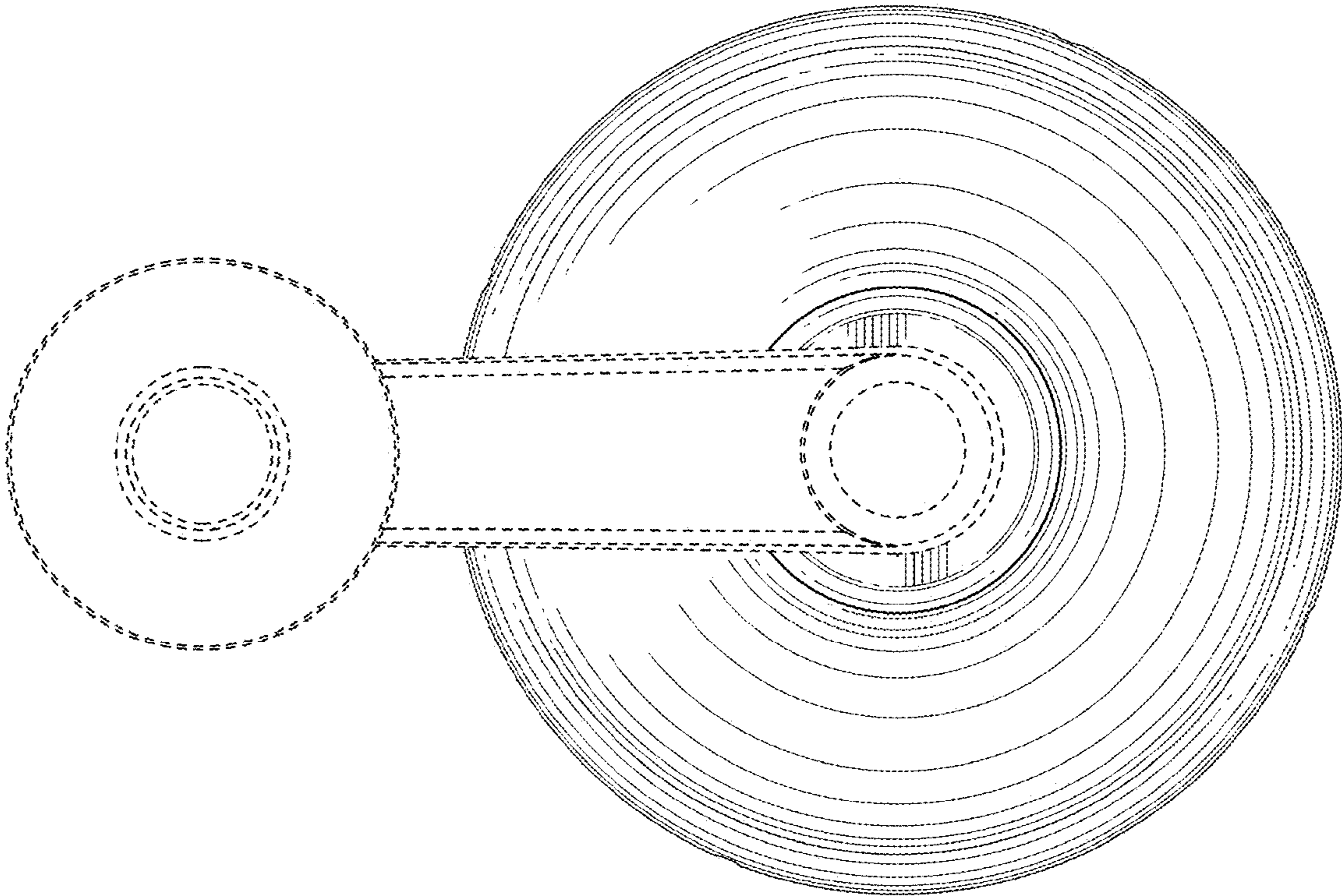


FIG.6

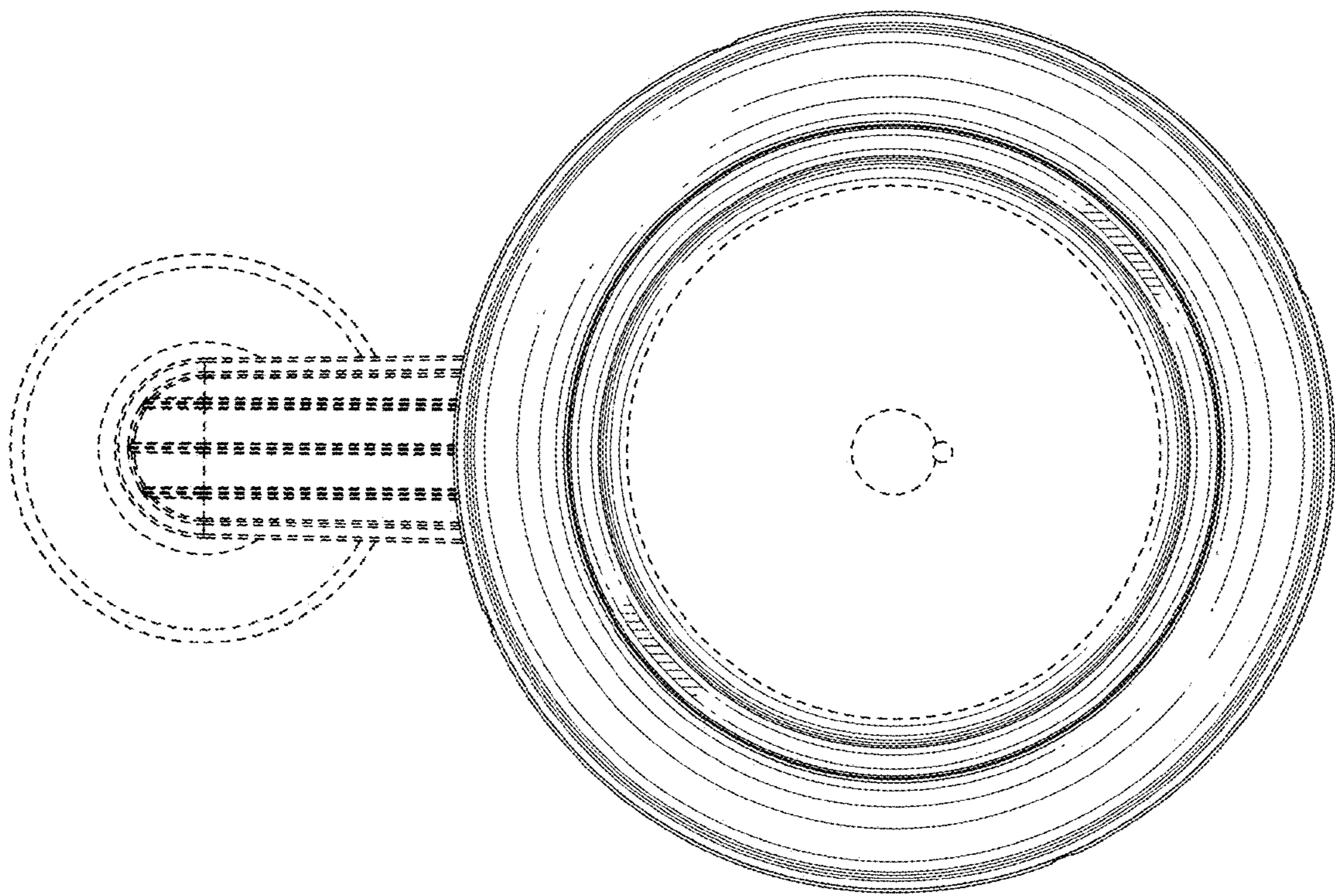


FIG. 7