



US00D896595S

(12) **United States Design Patent**  
**Hiltensbrand**

(10) **Patent No.:** **US D896,595 S**

(45) **Date of Patent:** **\*\* Sep. 22, 2020**

(54) **VEGETABLE SLICER**

(71) Applicant: **Kuhn Rikon AG**, Rikon im Tösstal (CH)

(72) Inventor: **Valeria Hiltensbrand**, Winterthur (CH)

(73) Assignee: **KUHN RIKON AG**, Rikon im Tosstal (CH)

(\*\*) Term: **15 Years**

(21) Appl. No.: **29/659,220**

(22) Filed: **Aug. 7, 2018**

(30) **Foreign Application Priority Data**

Feb. 8, 2018 (WO) ..... DM/099888

(51) **LOC (12) Cl.** ..... **07-04**

(52) **U.S. Cl.**  
USPC ..... **D7/673; D7/695**

(58) **Field of Classification Search**  
USPC ..... D7/672-674, 693-696, 381-385  
See application file for complete search history.

(56) **References Cited**

**U.S. PATENT DOCUMENTS**

1,795,231 A 3/1931 Perl  
1,803,880 A 5/1931 Tatham  
(Continued)

**FOREIGN PATENT DOCUMENTS**

CN 30320079 S 6/2015  
DE 8529617 U1 1/1986  
(Continued)

**OTHER PUBLICATIONS**

OfficialAsSeenOnTV1, The Official Miracle Peeler Commercial, Sep. 18, 2018, Youtube, <https://www.youtube.com/watch?v=Qutd9GtS4Wc> (Year: 2014).\*

Dlife, Dlife (TM) Miracle Peeler; Apr. 27, 2016, Amazon, <https://www.amazon.com/Dlife-Miracle-Julienne-Mandoline-Included/dp/B01EUV4JOM/> (Year: 2016).\*

Notice of Allowance on U.S. Appl. No. 29/659,222 dated Oct. 2, 2019.

(Continued)

*Primary Examiner* — Brett Miller

(74) *Attorney, Agent, or Firm* — Foley & Lardner LLP

(57) **CLAIM**

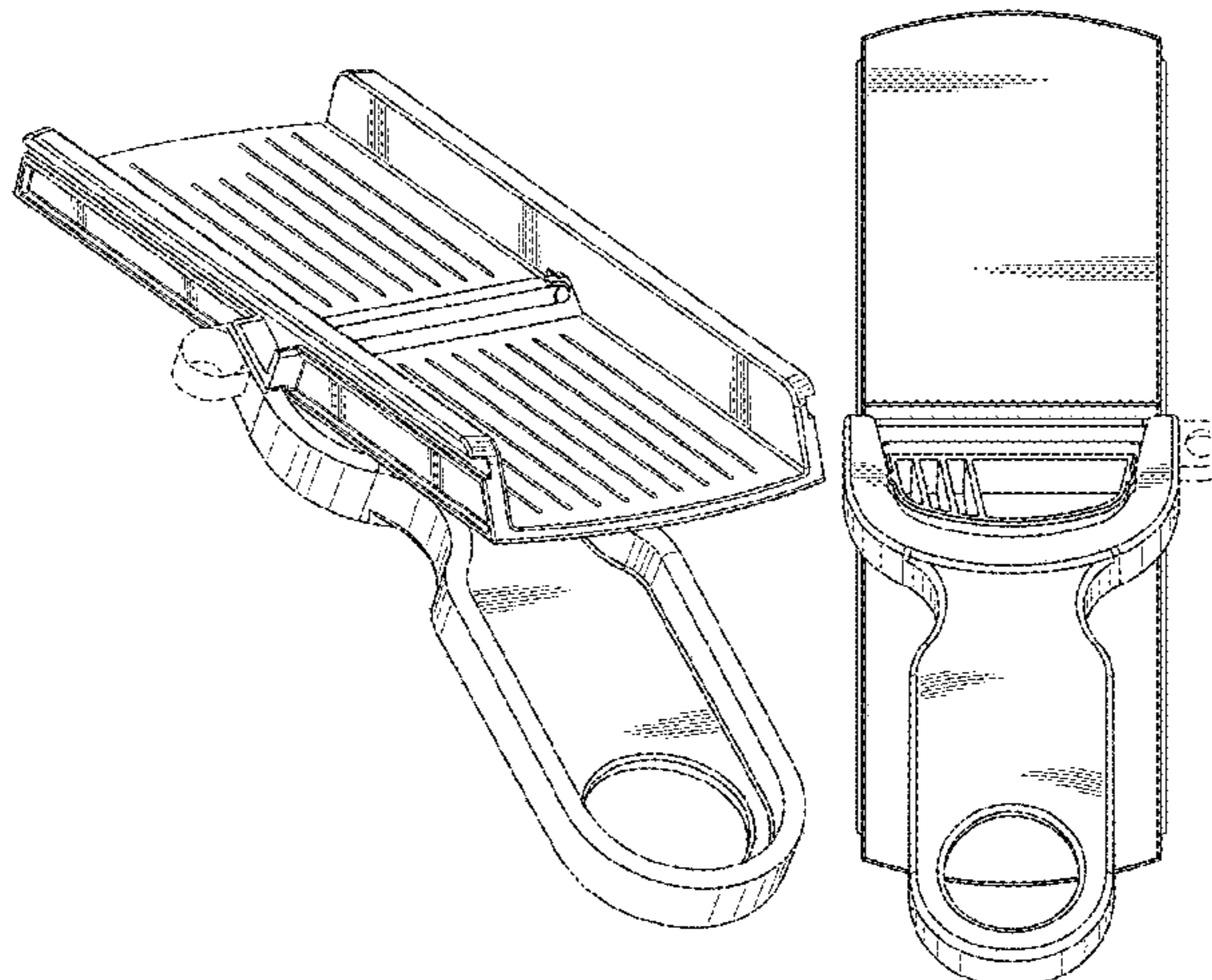
I claim the ornamental design for a vegetable slicer, as shown and described.

**DESCRIPTION**

FIG. 1 is a perspective view of a vegetable slicer; FIG. 2 is a right side view of the vegetable slicer of FIG. 1; FIG. 3 is a left side view of the vegetable slicer of FIG. 1; FIG. 4 is a top view of the vegetable slicer of FIG. 1; FIG. 5 is a bottom view of the vegetable slicer of FIG. 1; FIG. 6 is a rear view of the vegetable slicer of FIG. 1; FIG. 7 is a front view of the vegetable slicer of FIG. 1; FIG. 8 is a front perspective view of a base of the vegetable slicer shown in isolation; FIG. 9 is a rear perspective view of the base of FIG. 8; FIG. 10 is a rear view of the base of FIG. 8; FIG. 11 is a front view of the base of FIG. 8; FIG. 12 is a left side view of the base of FIG. 8; FIG. 13 is a right side view of the base of FIG. 8; FIG. 14 is a top view of the base of FIG. 8; FIG. 15 is a bottom view of the base of FIG. 8; FIG. 16 is a front perspective view of an insert of the vegetable slicer shown in isolation; FIG. 17 is a rear perspective view of the insert of FIG. 16; FIG. 18 is a left side view of the insert of FIG. 16; FIG. 19 is a right side view of the insert of FIG. 16; FIG. 20 is a top view of the insert of FIG. 16; FIG. 21 is a bottom view of the insert of FIG. 16; FIG. 22 is a front view of the insert of FIG. 16; and, FIG. 23 is a rear view of the insert of FIG. 16.

The broken lines in the drawings are for illustrative purposes only, depict environmental subject matter, and form no part of the claimed design.

**1 Claim, 23 Drawing Sheets**



(56)

**References Cited**

U.S. PATENT DOCUMENTS

2,087,140 A 7/1937 Coughlan  
 2,173,751 A 9/1939 Burkhart  
 2,323,863 A 7/1943 Feemster  
 4,227,656 A 10/1980 Engebretsen  
 4,310,971 A 1/1982 Rowell  
 5,803,378 A 9/1998 Wolters  
 D400,767 S \* 11/1998 de Saint-Genois ..... D7/673  
 D461,692 S \* 8/2002 Law ..... D7/695  
 D609,062 S \* 2/2010 Kestenbaum ..... D7/695  
 D674,254 S \* 1/2013 Spiegel ..... D7/695  
 D675,890 S \* 2/2013 Reay ..... D7/695  
 D680,392 S 4/2013 Dichraff et al.  
 D680,822 S 4/2013 Dichraff et al.  
 D773,905 S 12/2016 Dichraff et al.  
 D793,179 S \* 8/2017 Exley ..... D7/673  
 D812,997 S \* 3/2018 Cabrita ..... D7/673

D826,654 S \* 8/2018 Chang ..... D7/673  
 D859,094 S \* 9/2019 Umholtz ..... D7/695  
 D859,095 S \* 9/2019 Umholtz ..... D7/695  
 D859,096 S \* 9/2019 Umholtz ..... D7/695  
 2017/0027363 A1\* 2/2017 Greiner ..... A47J 17/02

FOREIGN PATENT DOCUMENTS

DE 9012103 U1 12/1990  
 EP 2218561 A1 8/2010  
 EP 2399492 A1 5/2011  
 JP 1343119 S 11/2008

OTHER PUBLICATIONS

Notice of Allowance on U.S. Appl. No. 29/659,222 dated Dec. 20, 2019.

\* cited by examiner

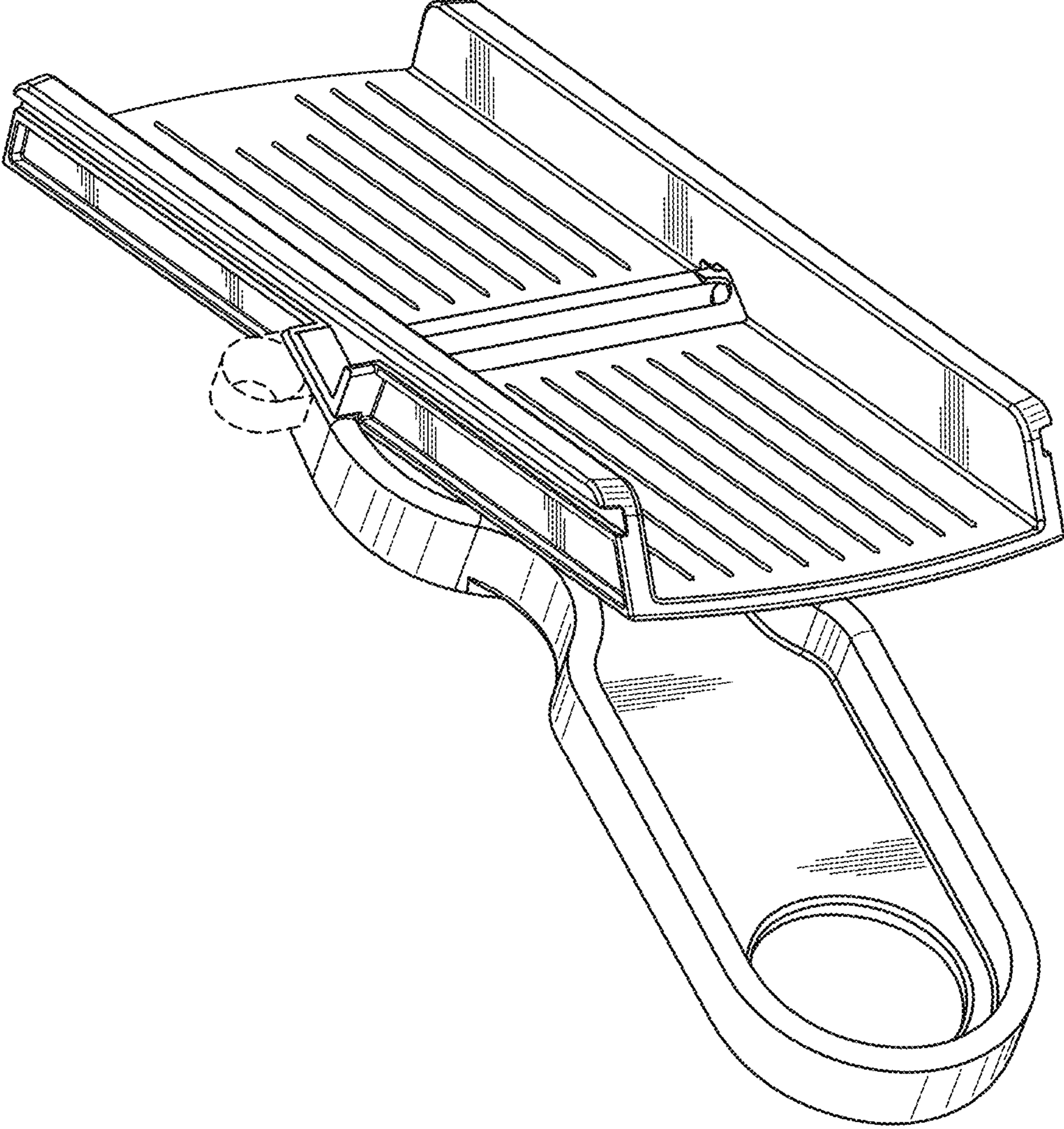


FIG. 1

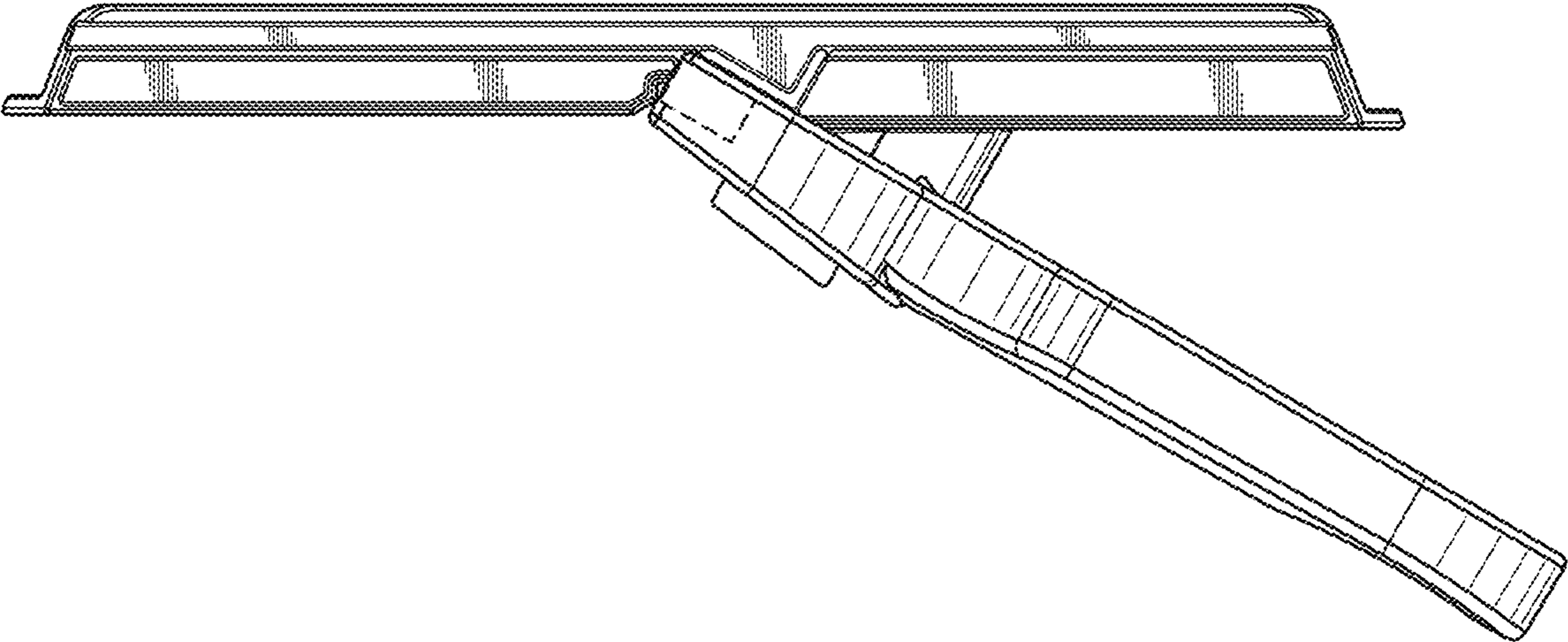


FIG. 2

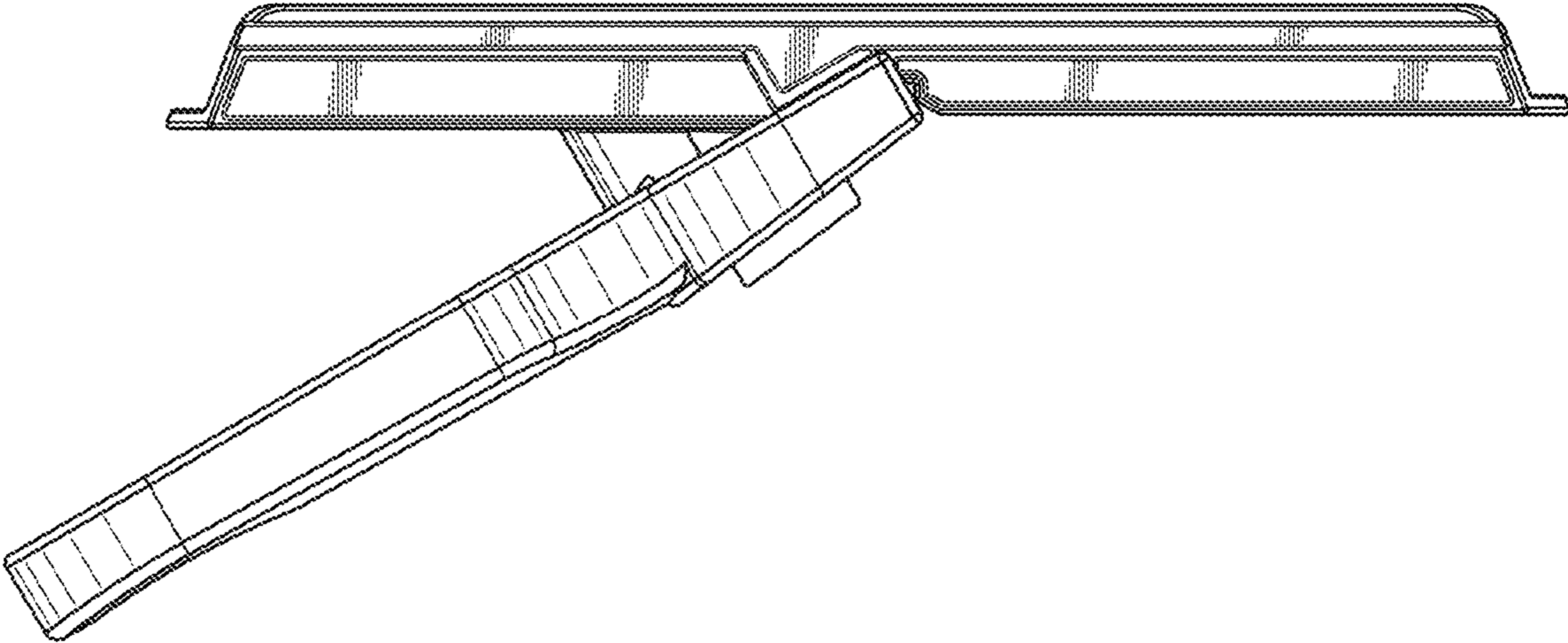


FIG. 3

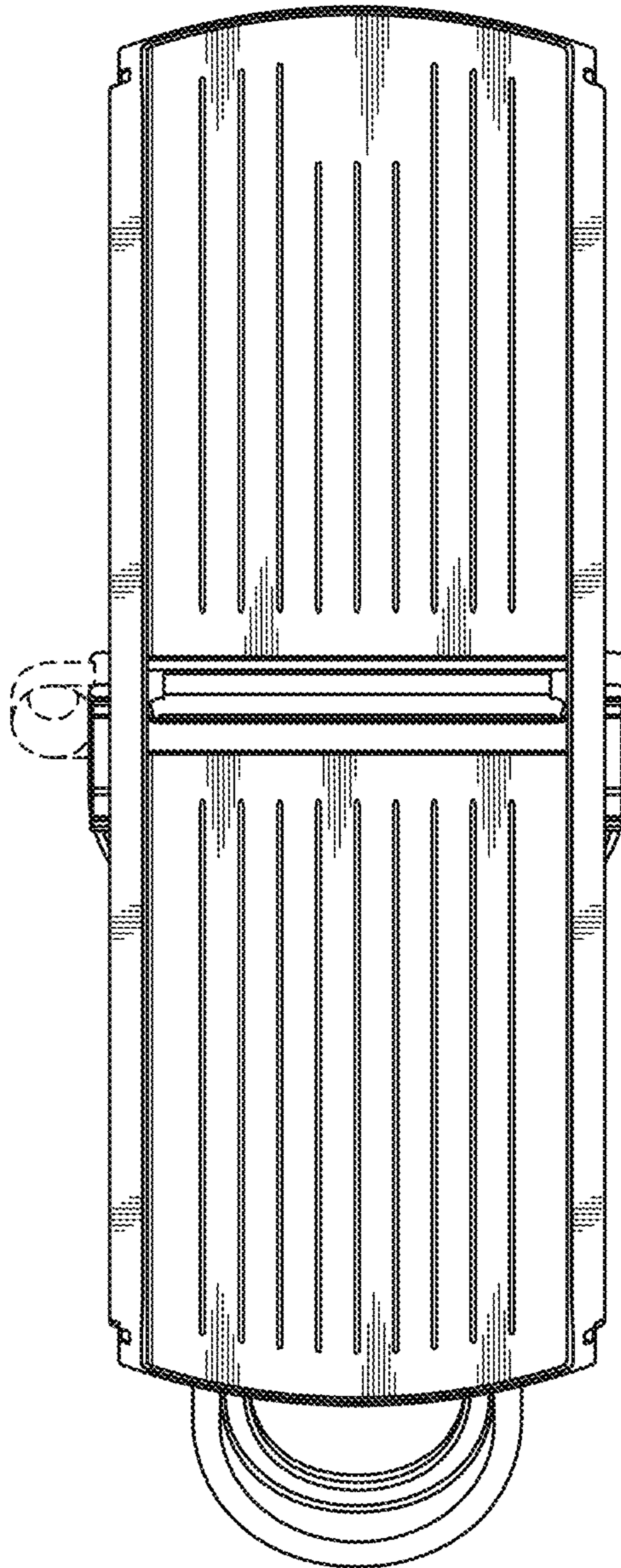


FIG. 4

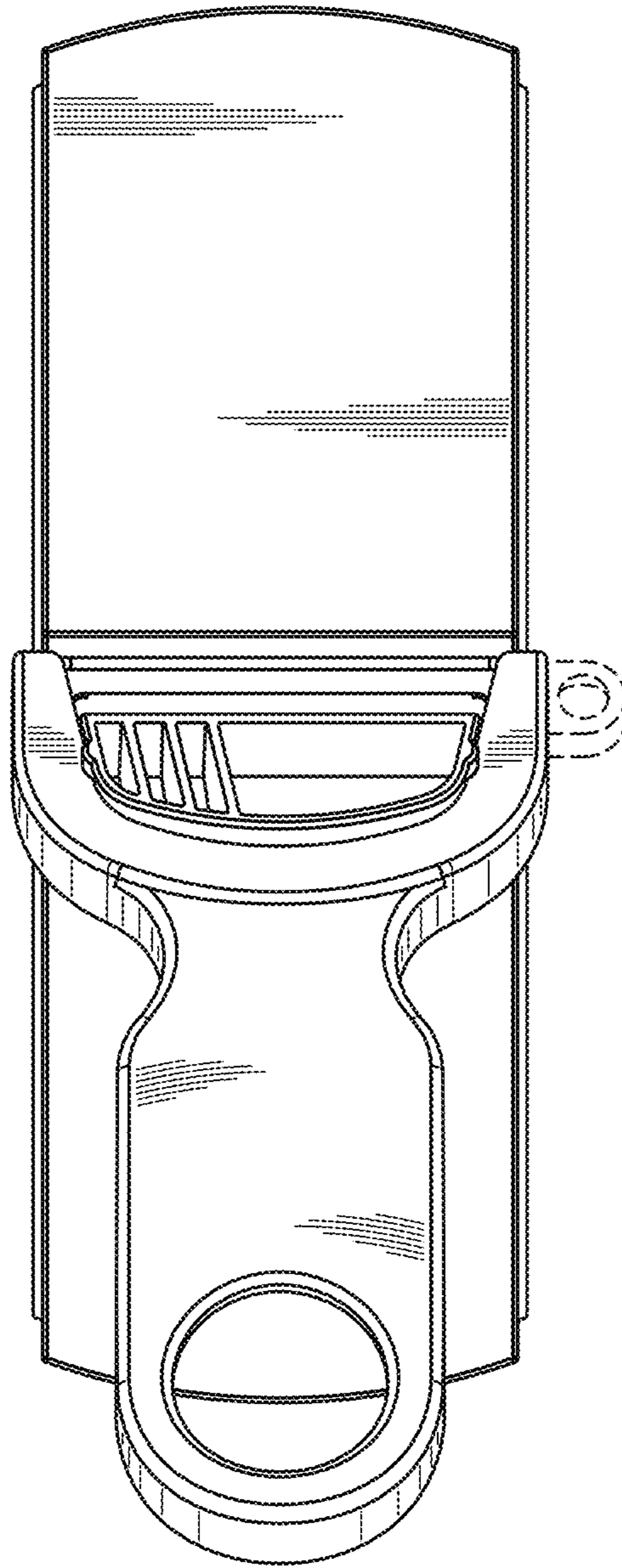


FIG. 5

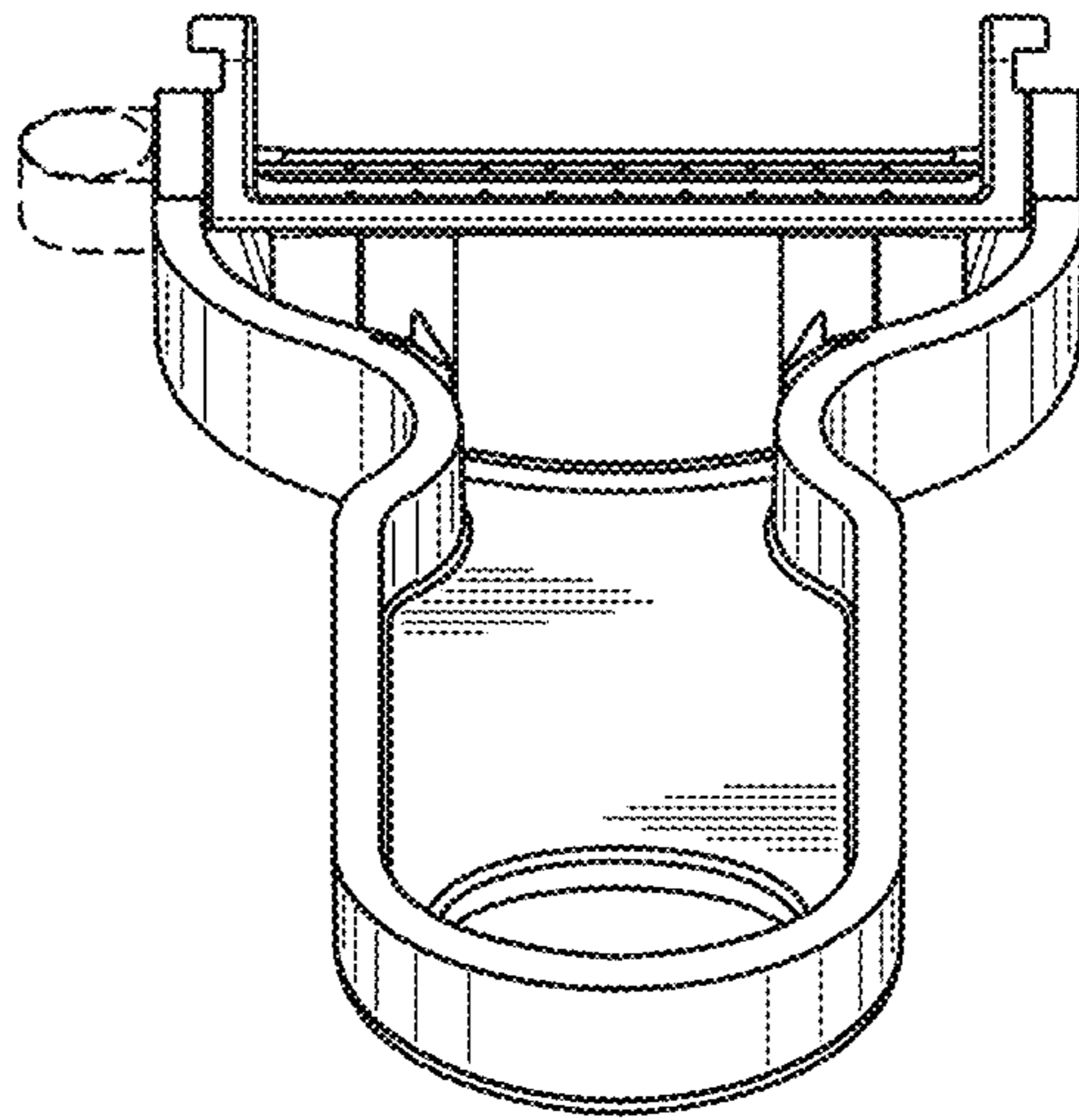


FIG. 6



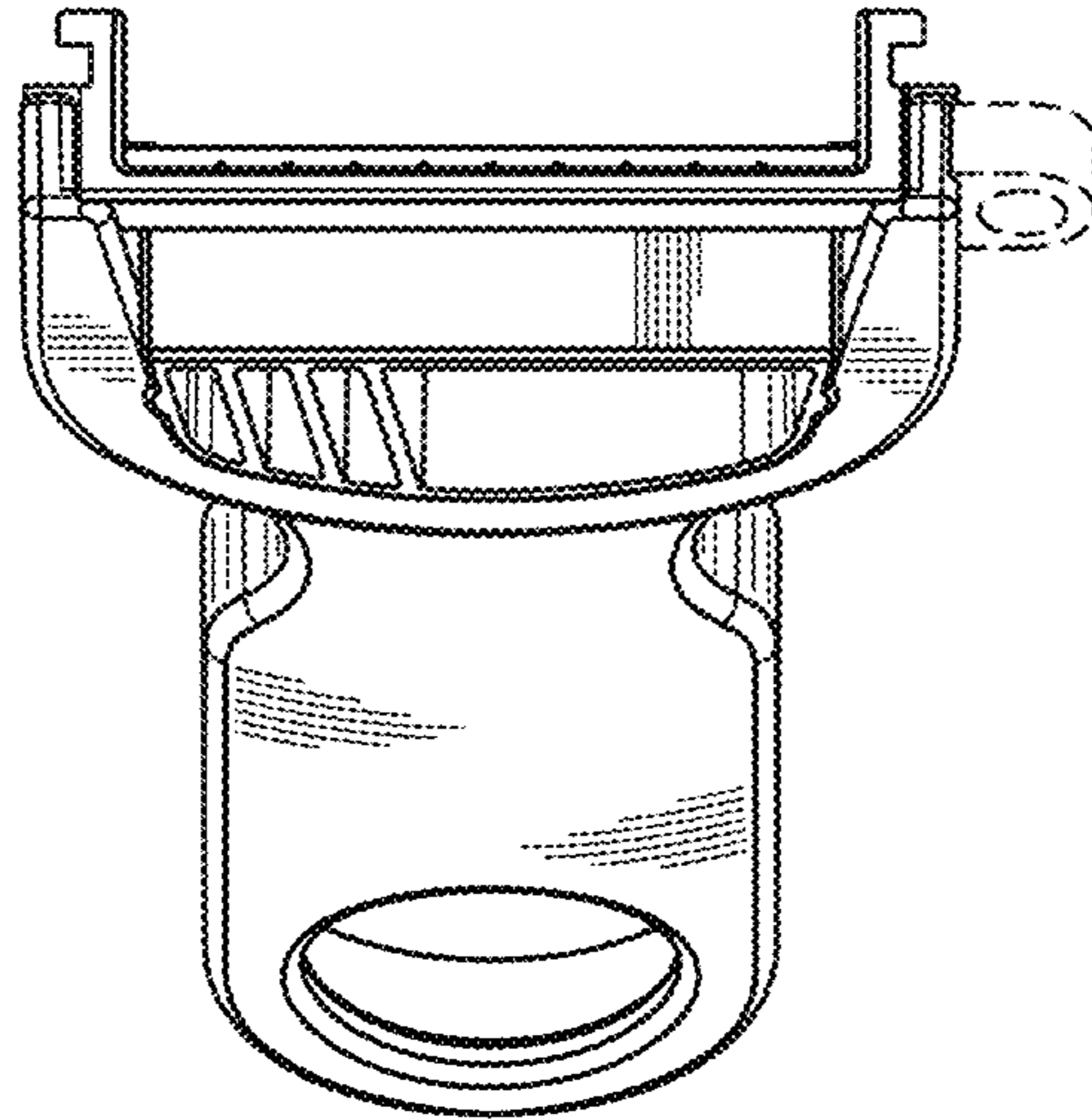


FIG. 7

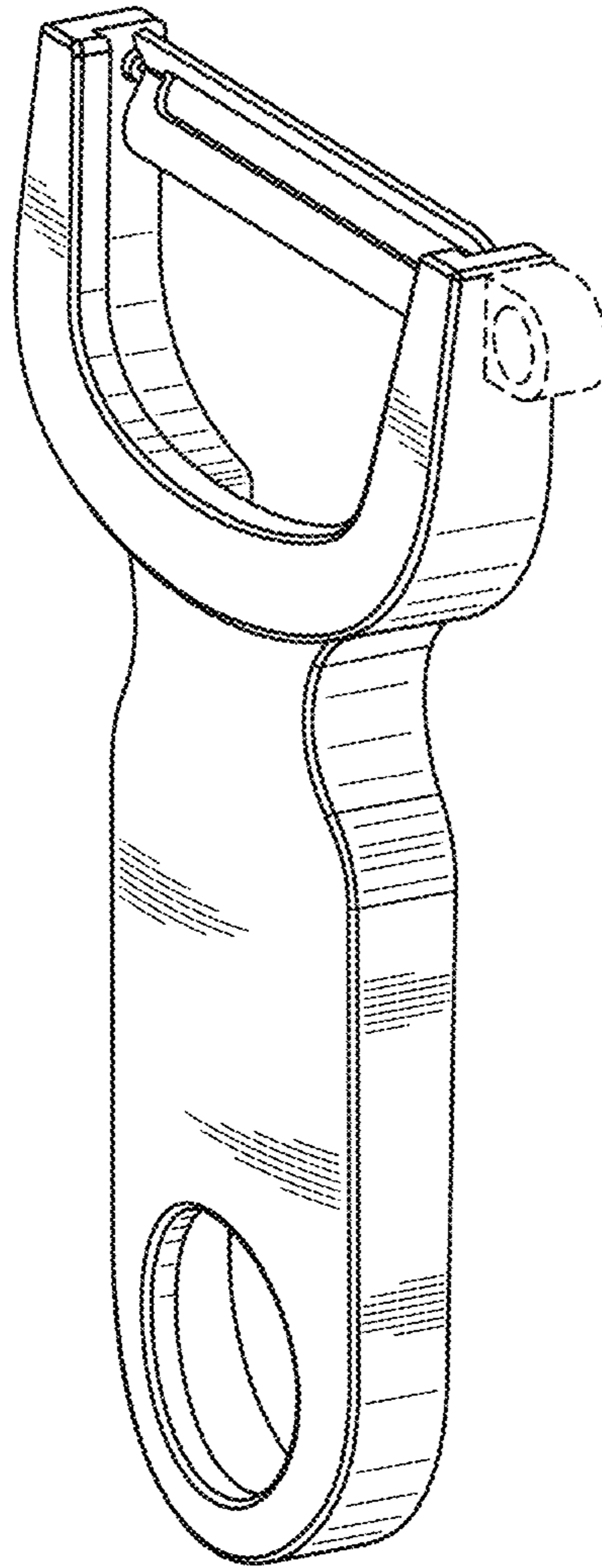


FIG. 8

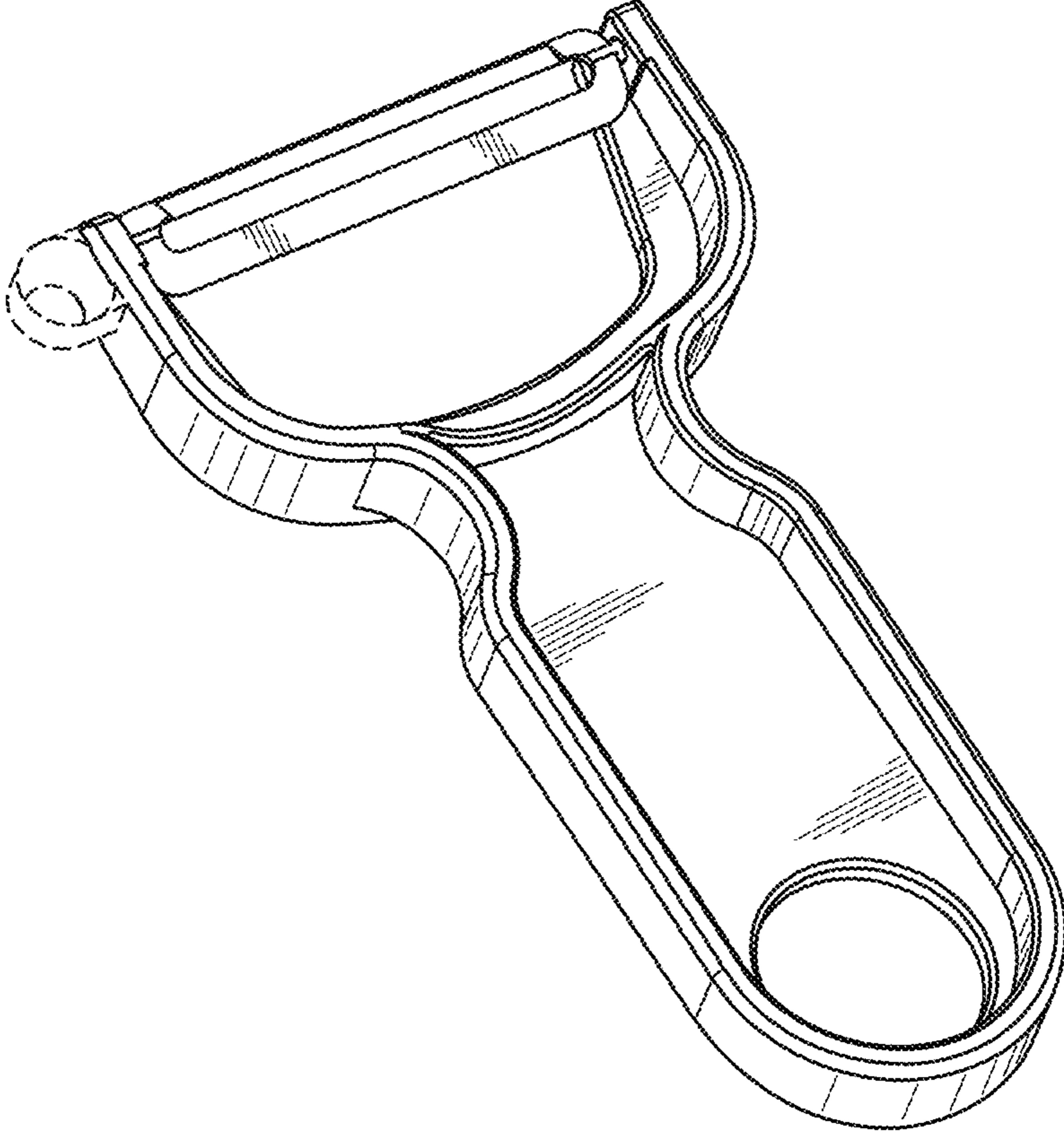


FIG. 9

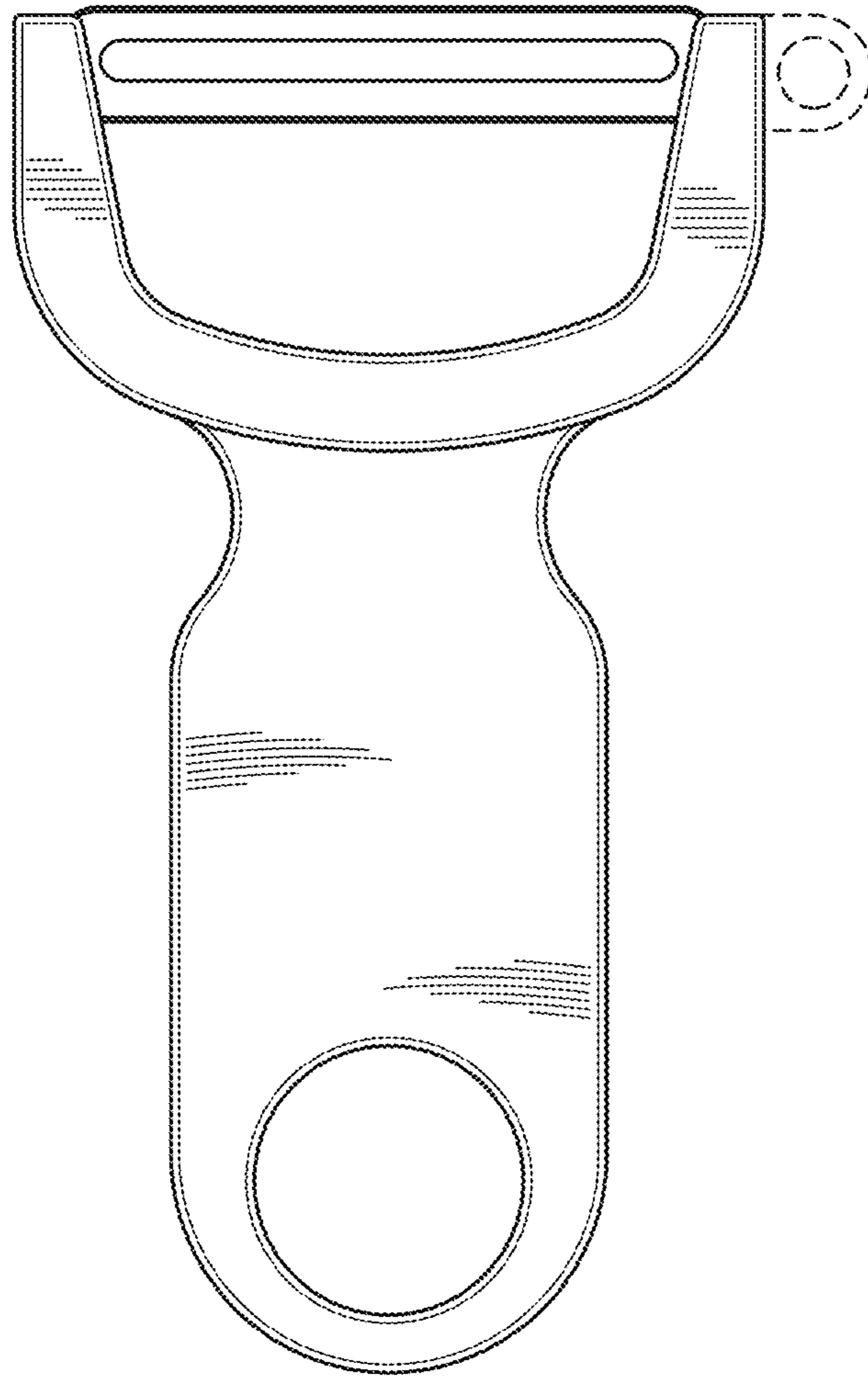


FIG. 10

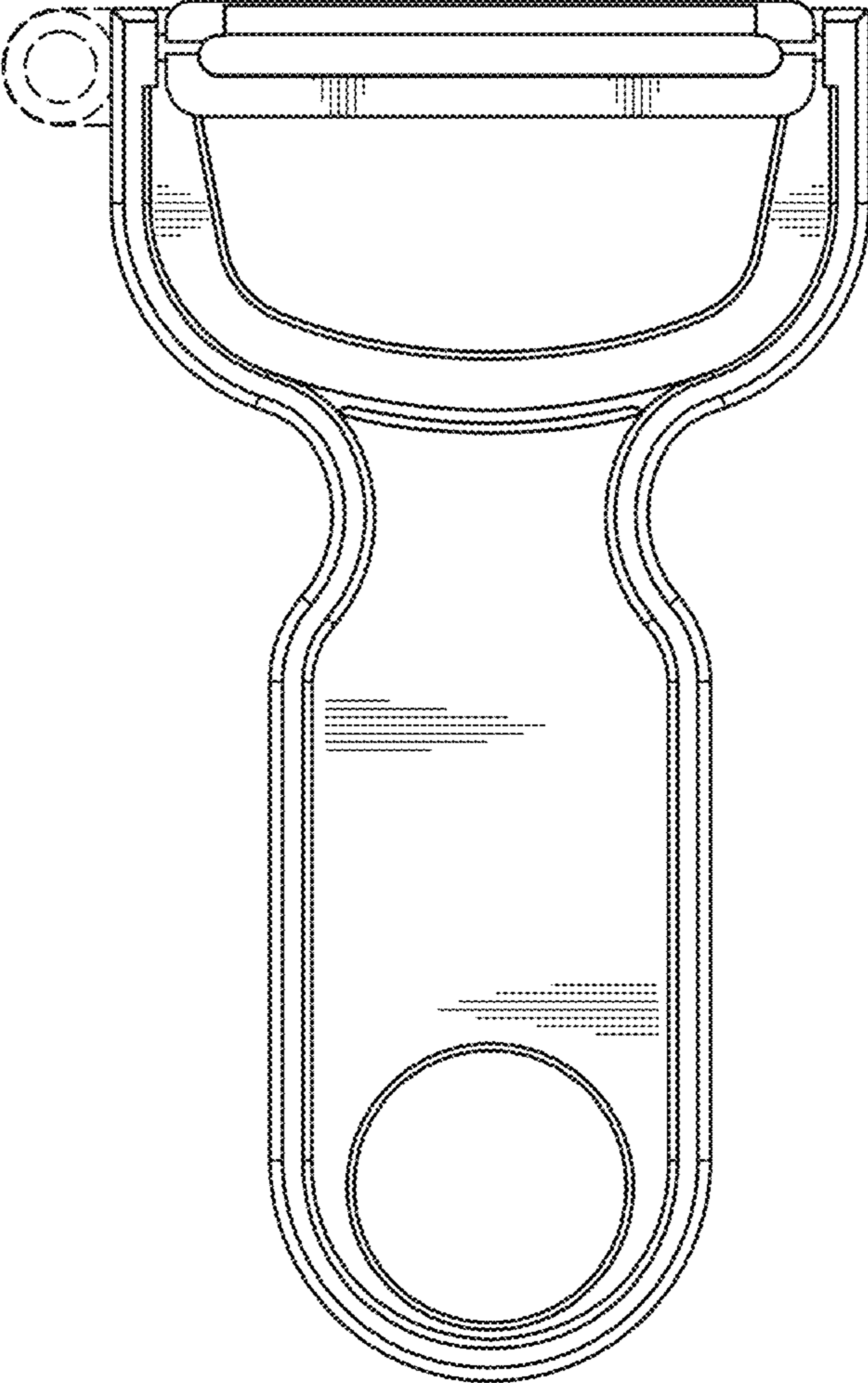


FIG. 11

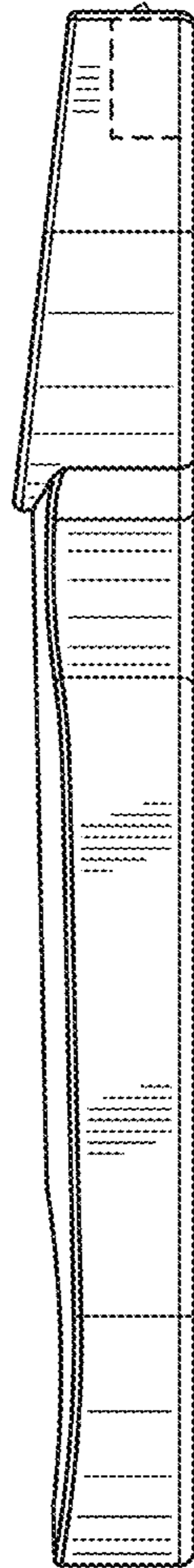


FIG. 12

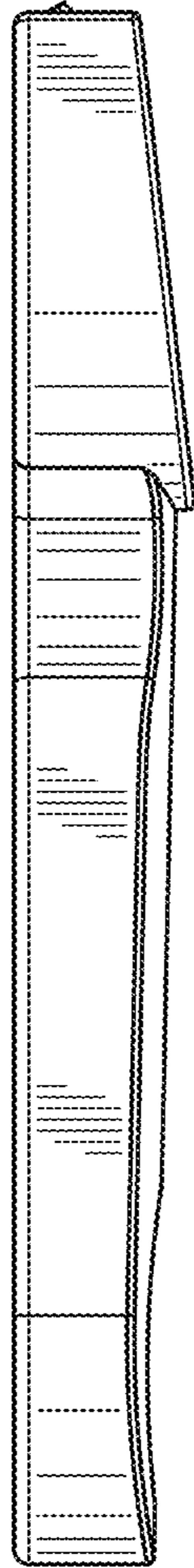


FIG. 13

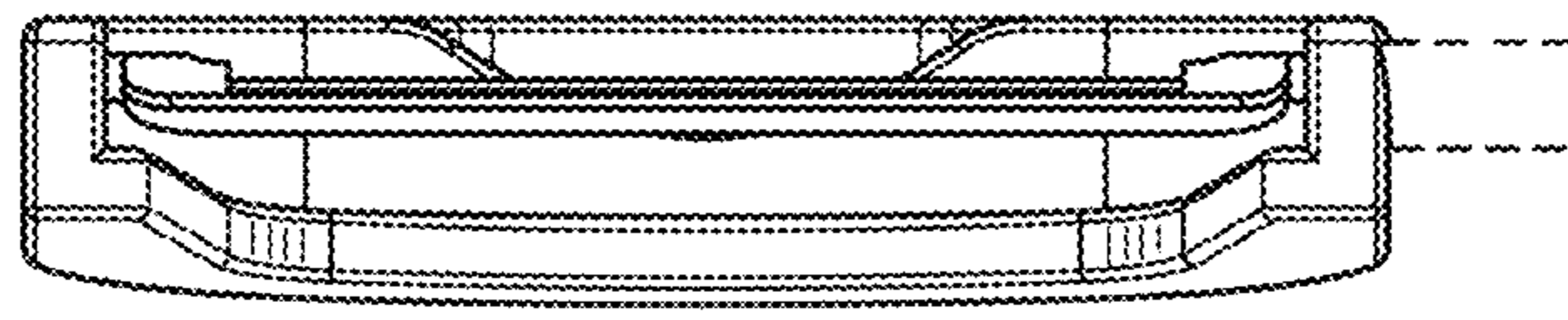


FIG. 14



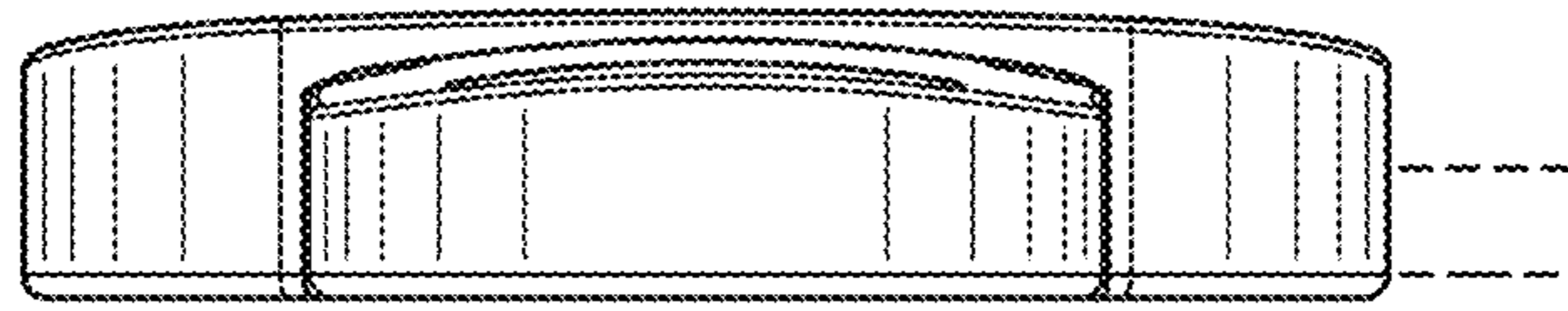


FIG. 15

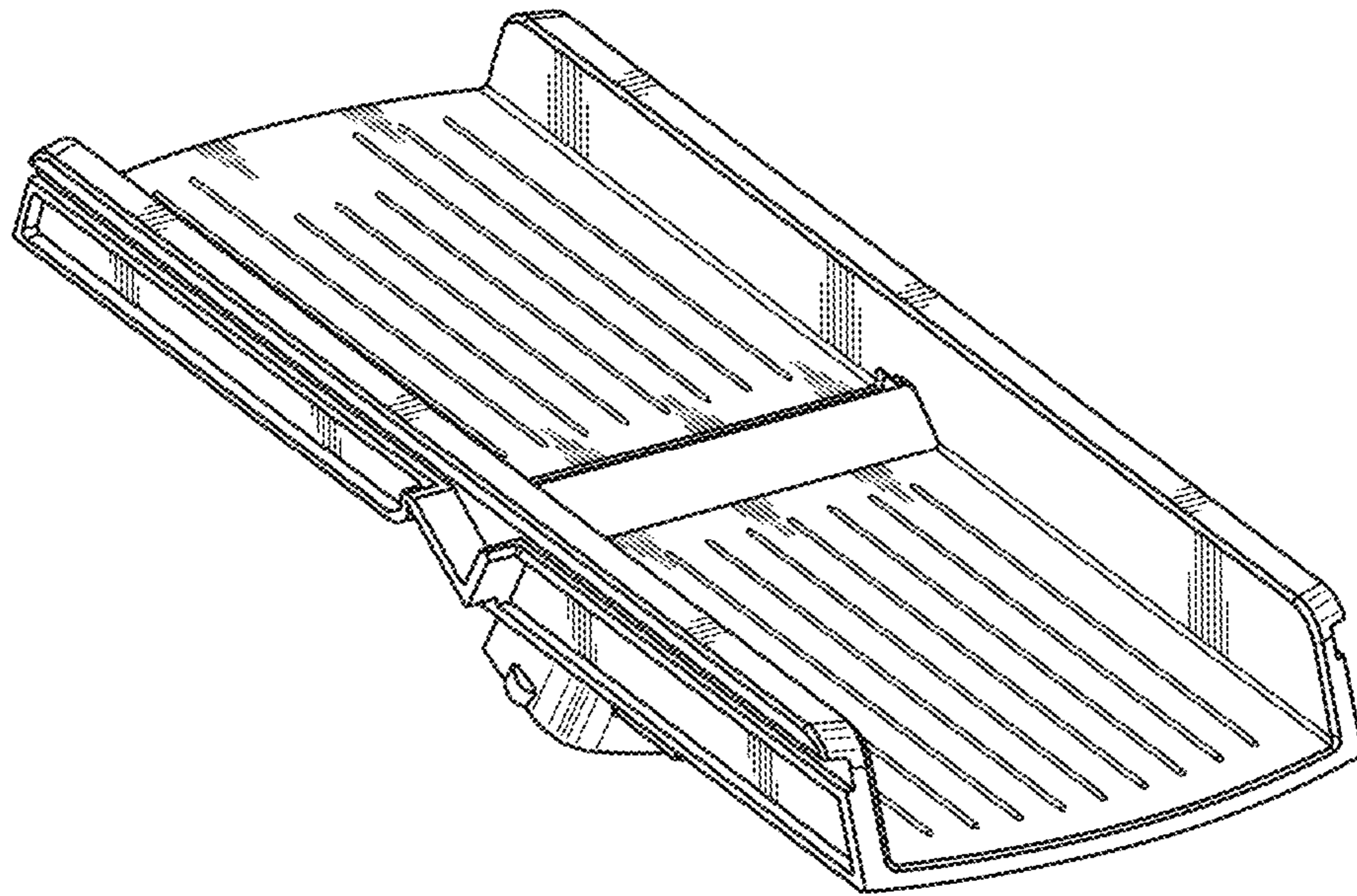


FIG. 16

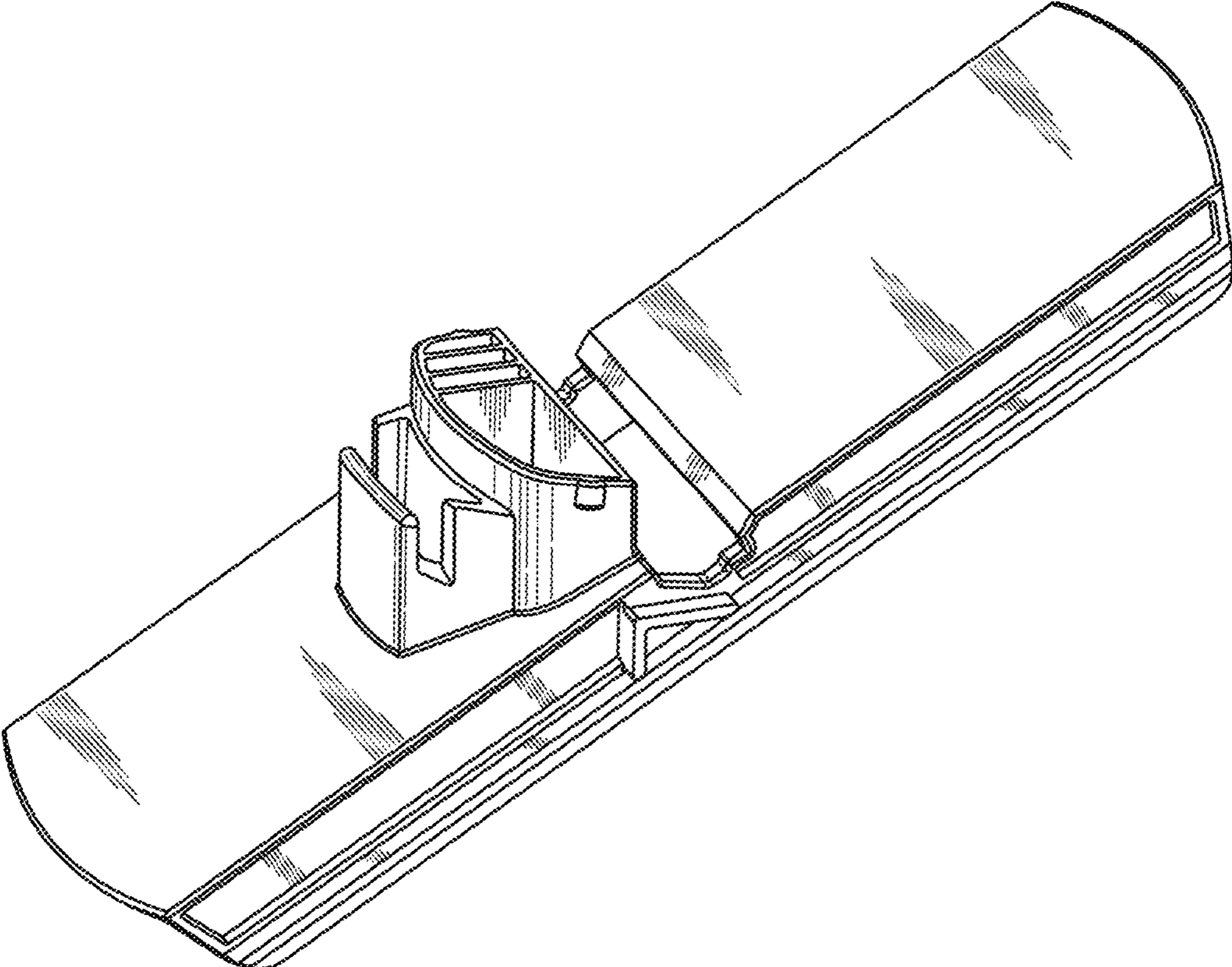


FIG. 17

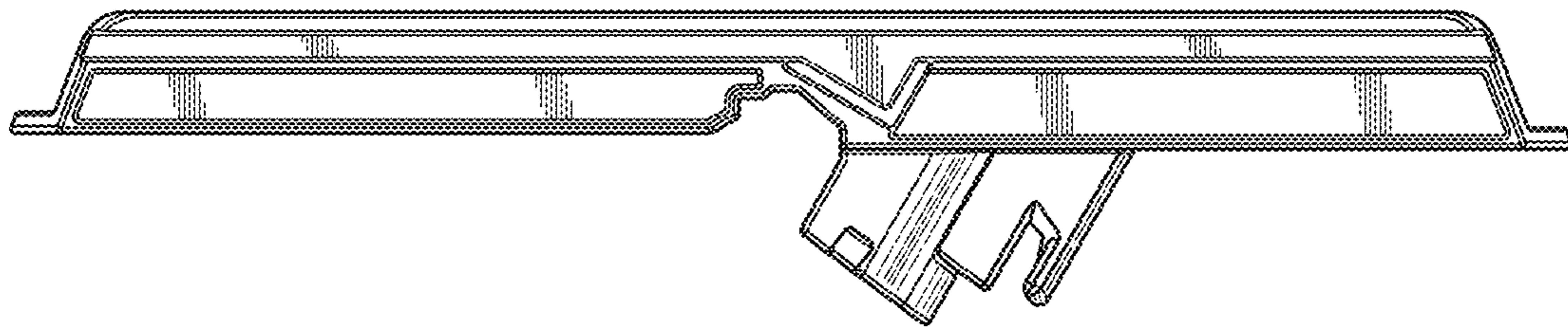


FIG. 18

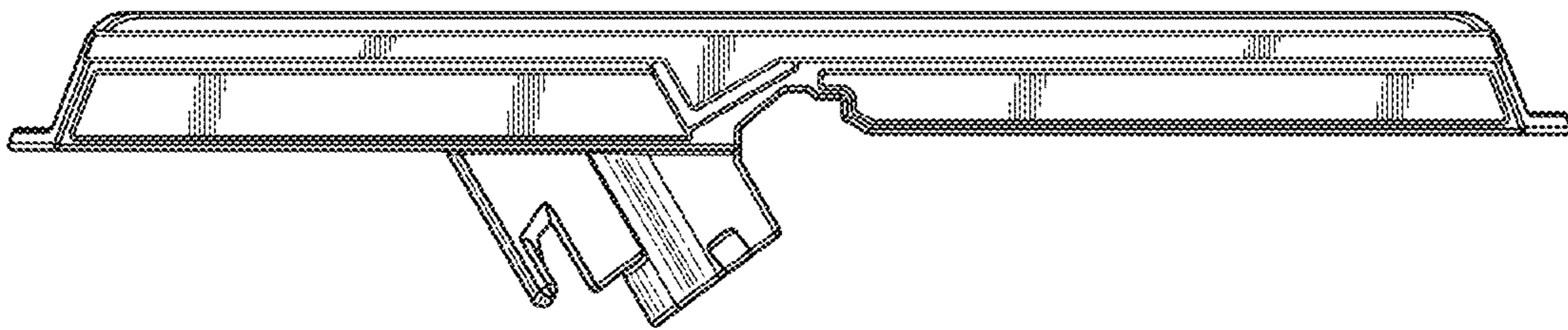


FIG. 19

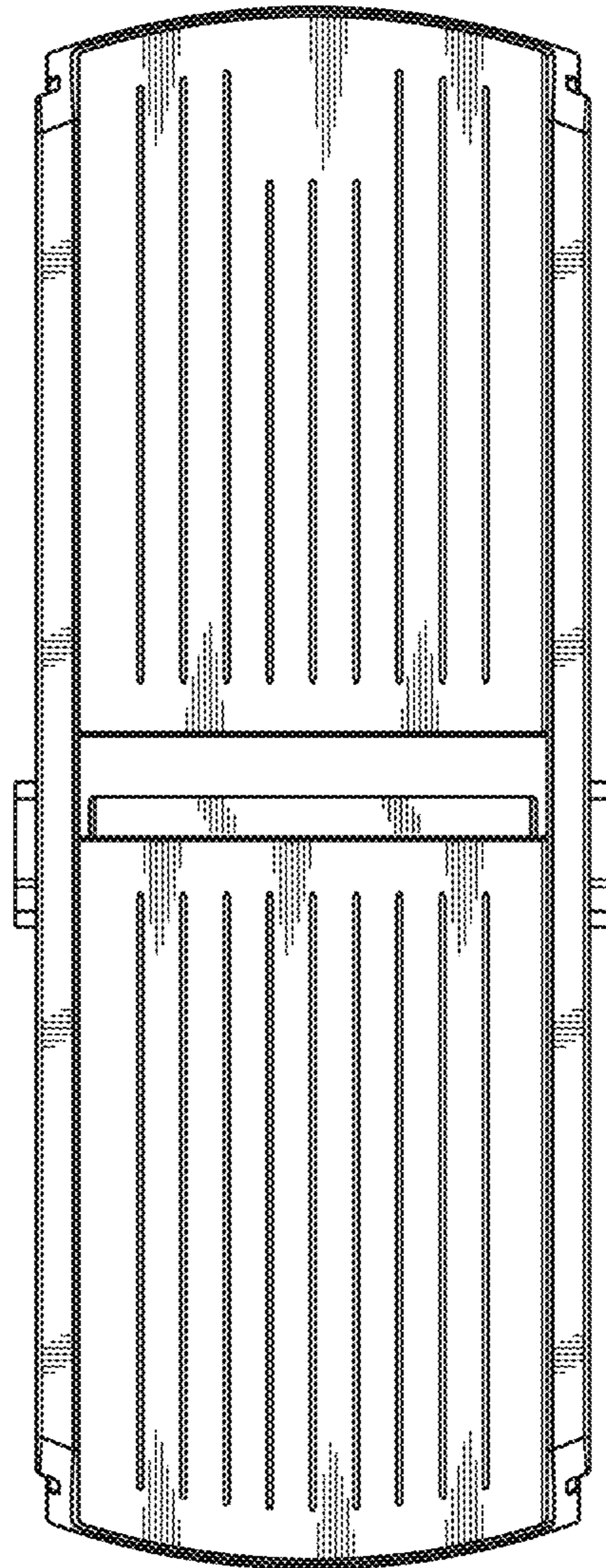


FIG. 20

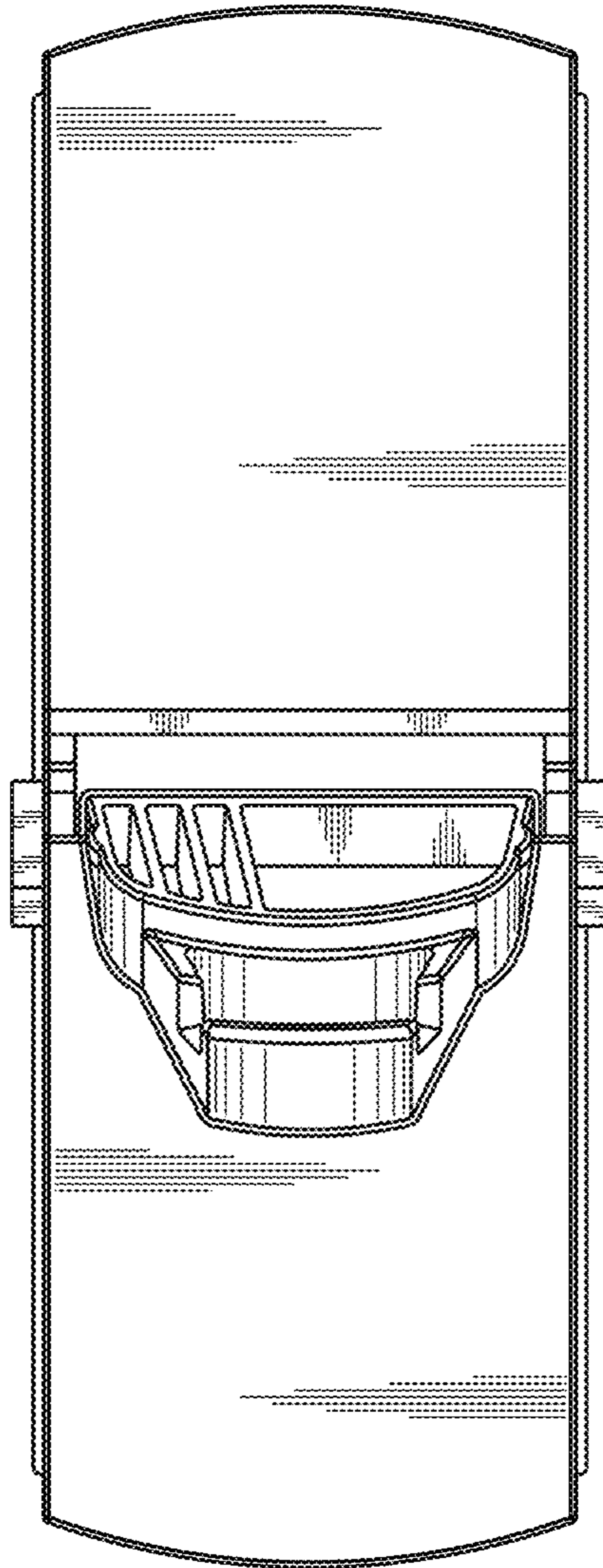


FIG. 21

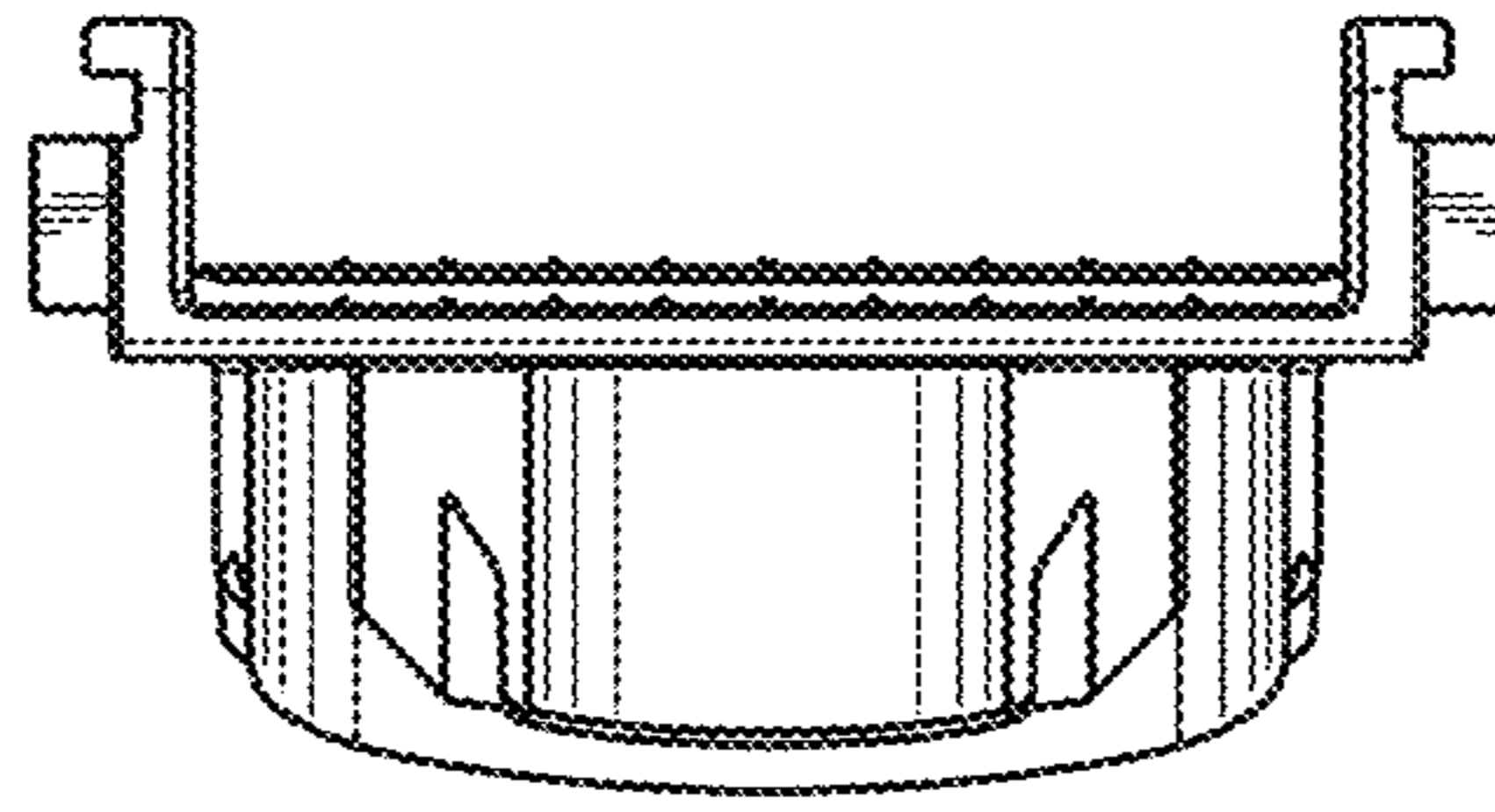


FIG. 22



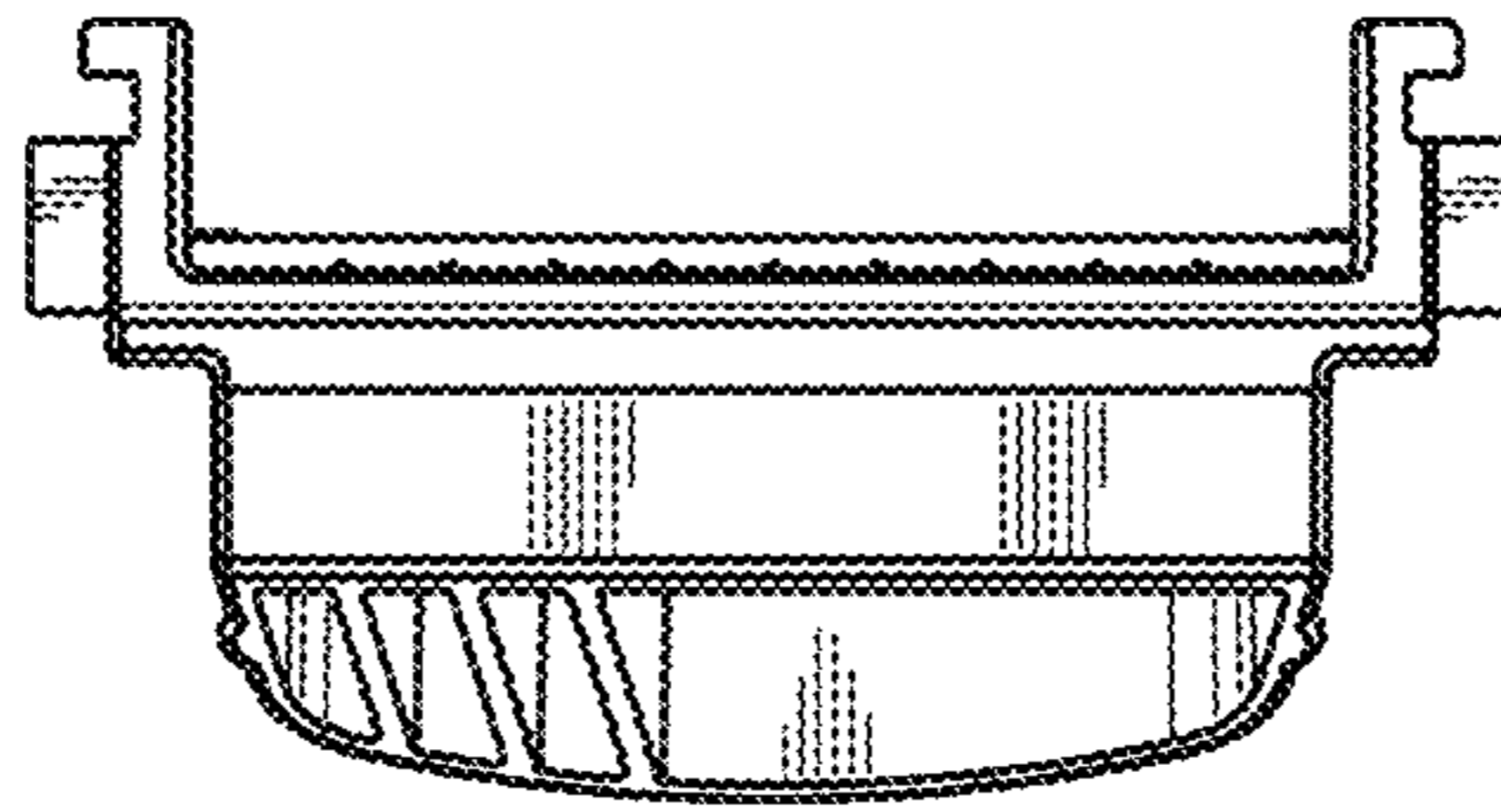


FIG. 23