

US00D896594S

(12) **United States Design Patent** (10) **Patent No.:** **US D896,594 S**
Tarrerrias (45) **Date of Patent:** **** Sep. 22, 2020**

(54) KITCHEN KNIFE	D154,006 S * 5/1949 Wagner D7/649
	D154,719 S * 8/1949 Slaysky et al. A61B 17/3213
(71) Applicant: SOCIETE D'EXPLOITATION TARRERIAS BONJEAN, Celles-sur-Durolle (FR)	D7/649
	D159,702 S * 8/1950 Wagner D7/649
	D266,735 S * 11/1982 Hahn D7/650
	D291,400 S * 8/1987 Pedrini D7/395
(72) Inventor: Eric Tarrerrias, Pont du Chateau (FR)	D714,104 S * 9/2014 Cotter D7/401.2
	D783,382 S * 4/2017 Lebeau D8/99
	D822,444 S * 7/2018 McGuyer D7/649
(73) Assignee: SOCIETE D'EXPLOITATION TARRERIAS BONJEAN (FR)	D831,419 S * 10/2018 Liu D7/401.2
	D884,439 S * 5/2020 Klipshtein D7/649

(**) Term: **15 Years**

(21) Appl. No.: **35/507,505**

(22) Filed: **Apr. 2, 2019**

(80) **Hague Agreement Data**

Int. Filing Date: **Apr. 2, 2019**
 Int. Reg. No.: **DM/203222**
 Int. Reg. Date: **Apr. 2, 2019**
 Int. Reg. Pub. Date: **Oct. 11, 2019**

(51) **LOC (12) Cl.** **07-03**

(52) **U.S. Cl.**
USPC **D7/649**

(58) **Field of Classification Search**
USPC D7/401.2, 649, 650
CPC .. B21D 53/70; B25G 3/34; B25G 3/36; B26B 1/10; B26B 3/00; B26B 3/02
See application file for complete search history.

(56) **References Cited**

U.S. PATENT DOCUMENTS

D7,382 S *	4/1874	Butler	D7/649
D7,383 S *	4/1874	Butler	D7/649
D7,384 S *	4/1874	Butler	D7/649
D7,385 S *	4/1874	Butler	D7/649
D42,619 S *	6/1912	Cress	D7/650
D147,593 S *	9/1947	Lipic	D8/102
2,464,091 A *	3/1949	Koontz	A61B 17/3213
				279/55

OTHER PUBLICATIONS

Screenshot: Couteau Steak lame micro dentée—Collection Louis. Undated; one page. Found online Jun. 4, 2020 at <https://www.tb-groupe.fr/couteau-steak-lame-micro-dentee-collection-louis-c2x301644,44> (Year: 2020).*

Screenshot: Tarrerrias Bonjean pair of knives. Sep. 30, 2019; one page. Found online Jun. 4, 2020 at <https://fr-fr.facebook.com/pg/TarrerriasBonjean/reviews/> (Year: 2019).*

(Continued)

Primary Examiner — Robert M. Spear
(74) *Attorney, Agent, or Firm* — McNeese Wallace & Nurick LLC

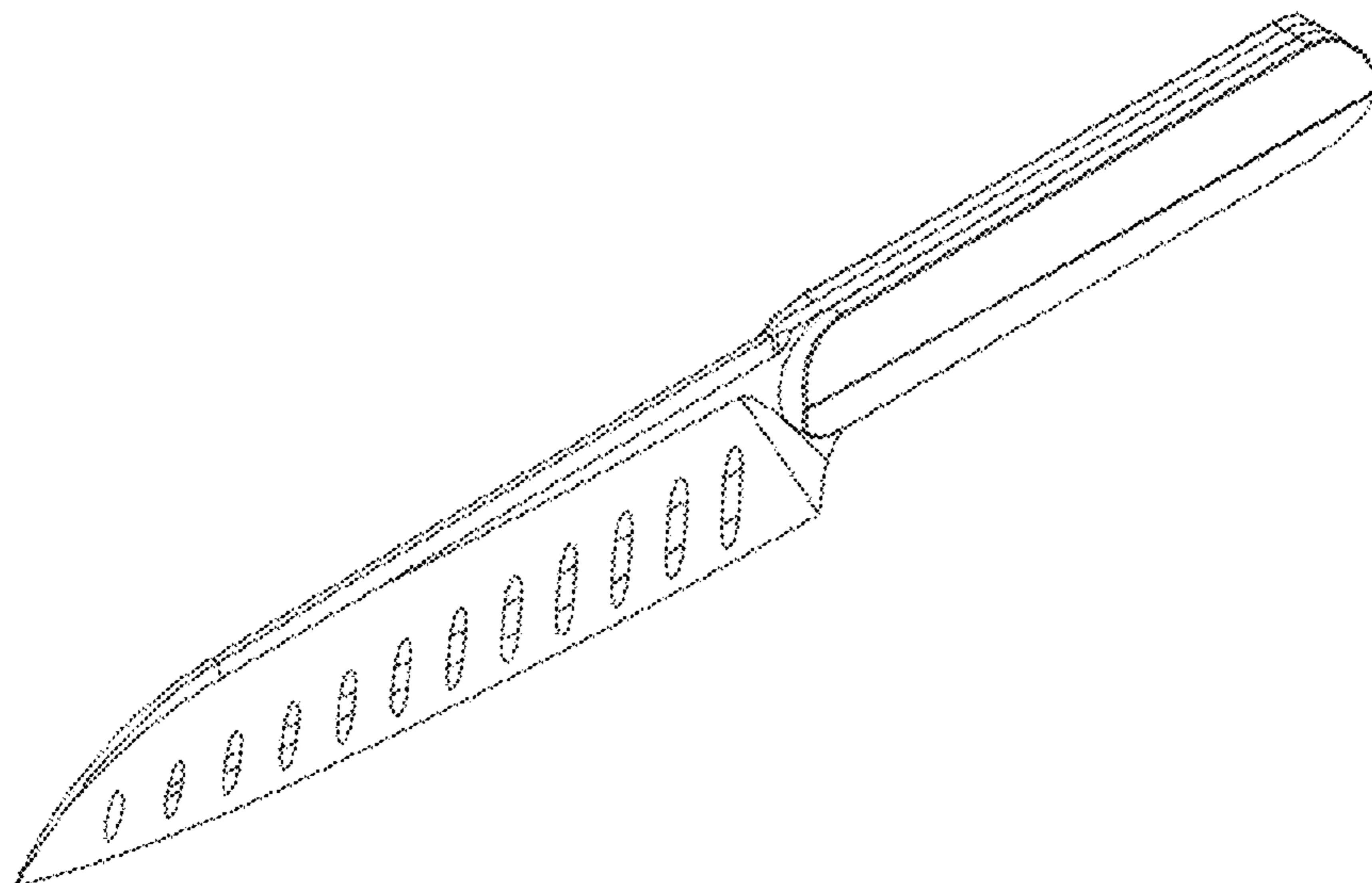
(57) **CLAIM**

The ornamental design for kitchen knife, as shown and described.

DESCRIPTION

- 1. Kitchen knife
- 1.1 : Perspective
- 1.2 : Front
- 1.3 : Back
- 1.4 : Right
- 1.5 : Left
- 1.6 : Top
- 1.7 : Bottom

1 Claim, 7 Drawing Sheets



(56)

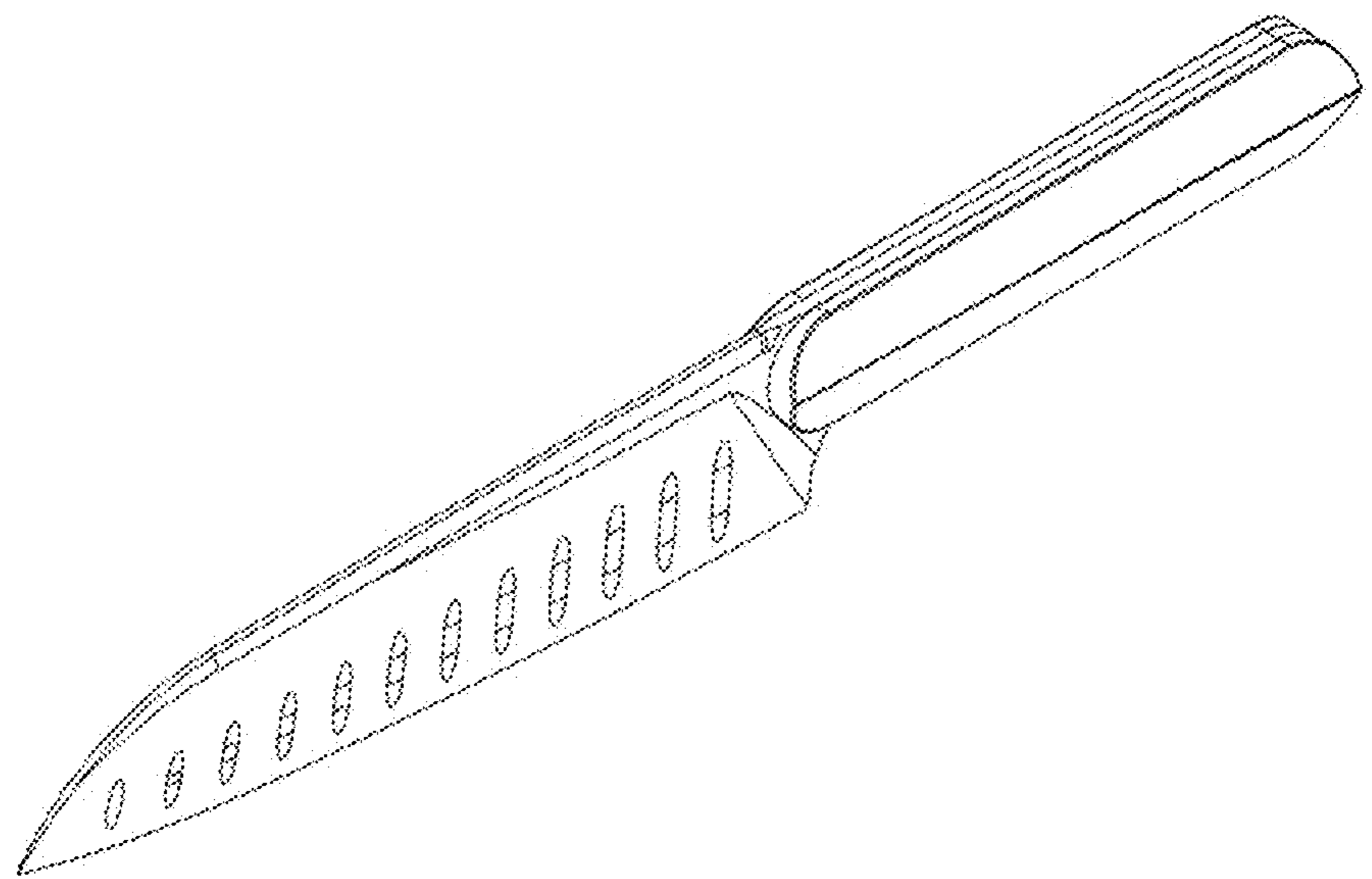
References Cited

OTHER PUBLICATIONS

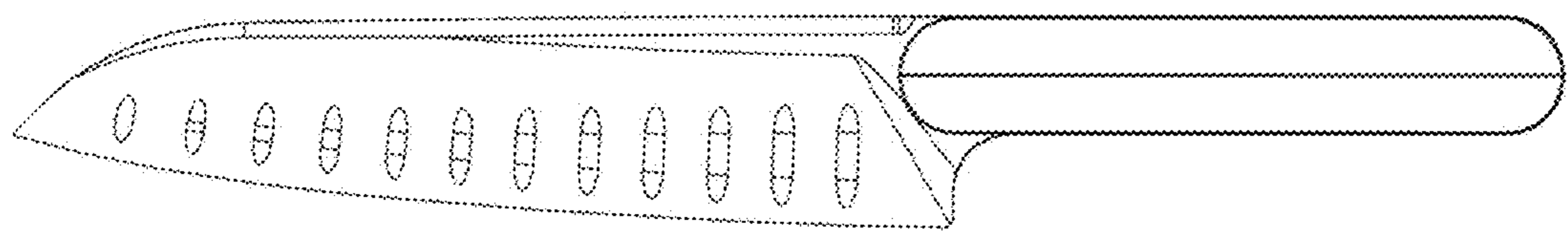
Screenshot: Coffret 3 couteaux (Office, Santoku, Chef) Collection Louis. Undated; one page. Found online Jun. 4, 2020 at <https://www.tb-groupe.fr/coffret-3-couteaux-office-santoku-chef-collection-louis-c2x30525066> (Year: 2020).*

* cited by examiner

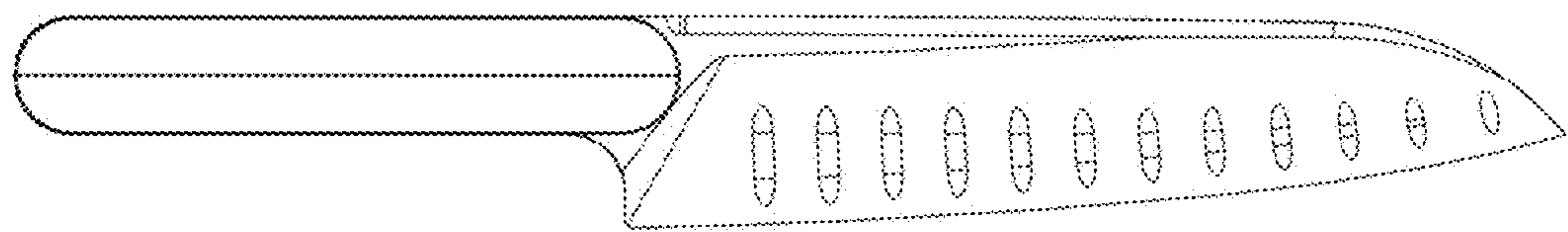
1.1



1.2



1.3



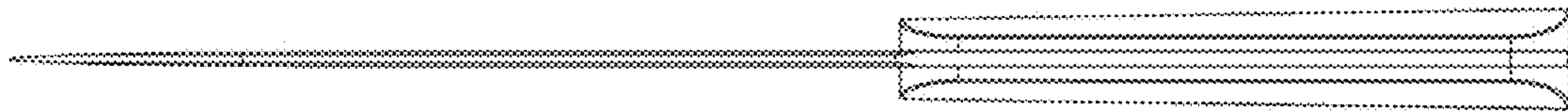
1.4



1.5



1.6



1.7



UNITED STATES PATENT AND TRADEMARK OFFICE
CERTIFICATE OF CORRECTION

PATENT NO. : D896,594 S
APPLICATION NO. : 35/507505
DATED : September 22, 2020
INVENTOR(S) : Eric Tarrerias

Page 1 of 1

It is certified that error appears in the above-identified patent and that said Letters Patent is hereby corrected as shown below:

On the Title Page

Item (30) should be added and read:

(30) Foreign Application Priority Data

Jan. 15, 2019 (EM).....006029518-0004

Signed and Sealed this
Sixteenth Day of February, 2021



Drew Hirshfeld
*Performing the Functions and Duties of the
Under Secretary of Commerce for Intellectual Property and
Director of the United States Patent and Trademark Office*