



US00D896590S

(12) **United States Design Patent** (10) **Patent No.:** **US D896,590 S**
Anzalone et al. (45) **Date of Patent:** **** Sep. 22, 2020**

(54) **FOOD HOLDER**

(71) Applicant: **UT Brands, LLC**, Costa Mesa, CA (US)

(72) Inventors: **Christopher Anzalone**, Eagle, ID (US);
Robert Kushner, San Diego, CA (US)

(73) Assignee: **UT BRANDS, LLC**, Costa Mesa, CA (US)

(**) Term: **15 Years**

(21) Appl. No.: **29/679,680**

(22) Filed: **Feb. 8, 2019**

(51) **LOC (12) Cl.** **07-01**

(52) **U.S. Cl.**
USPC **D7/569; D7/504; D7/559; D7/551.3; D9/605**

(58) **Field of Classification Search**
USPC D7/559, 504, 551.3, 556, 563, 564, 569, D7/578; D9/605
CPC A01M 31/06
See application file for complete search history.

(56) **References Cited**

U.S. PATENT DOCUMENTS

D151,115 S *	9/1948	Zipser	D7/556
D211,926 S *	8/1968	Kelly	D9/605
D388,476 S *	12/1997	Nielsen	D21/615
7,441,366 B2 *	10/2008	Van Houten, II	A01M 31/06 206/315.11
D808,725 S *	1/2018	Wilson	D7/515
D862,171 S *	10/2019	Bullo	D7/504
D878,153 S *	3/2020	Kushner	D7/504
D880,240 S *	4/2020	Kushner	D7/504

* cited by examiner

Primary Examiner — Marianne N Pandozzi

(74) *Attorney, Agent, or Firm* — Umberg Zipser LLP

(57) **CLAIM**

We claim the ornamental design for a food holder, as shown and described.

DESCRIPTION

FIG. 1 is a front view of a first embodiment of the food holder of the new design.

FIG. 2 is a right side view of the first embodiment of the food holder of the new design.

FIG. 3 is a left side view of the first embodiment of the food holder of the new design.

FIG. 4 is a rear view of the first embodiment of the food holder of the new design.

FIG. 5 is a top view of the first embodiment of the food holder of the new design.

FIG. 6 is a bottom view of the first embodiment of the food holder of the new design.

FIG. 7 is a top, front, left side perspective view of the first embodiment of the food holder of the new design.

FIG. 8 is a front view of a second embodiment of the food holder of the new design.

FIG. 9 is a right side view of the second embodiment of the food holder of the new design.

FIG. 10 is a left side view of the second embodiment of the food holder of the new design.

FIG. 11 is a rear view of the second embodiment of the food holder of the new design.

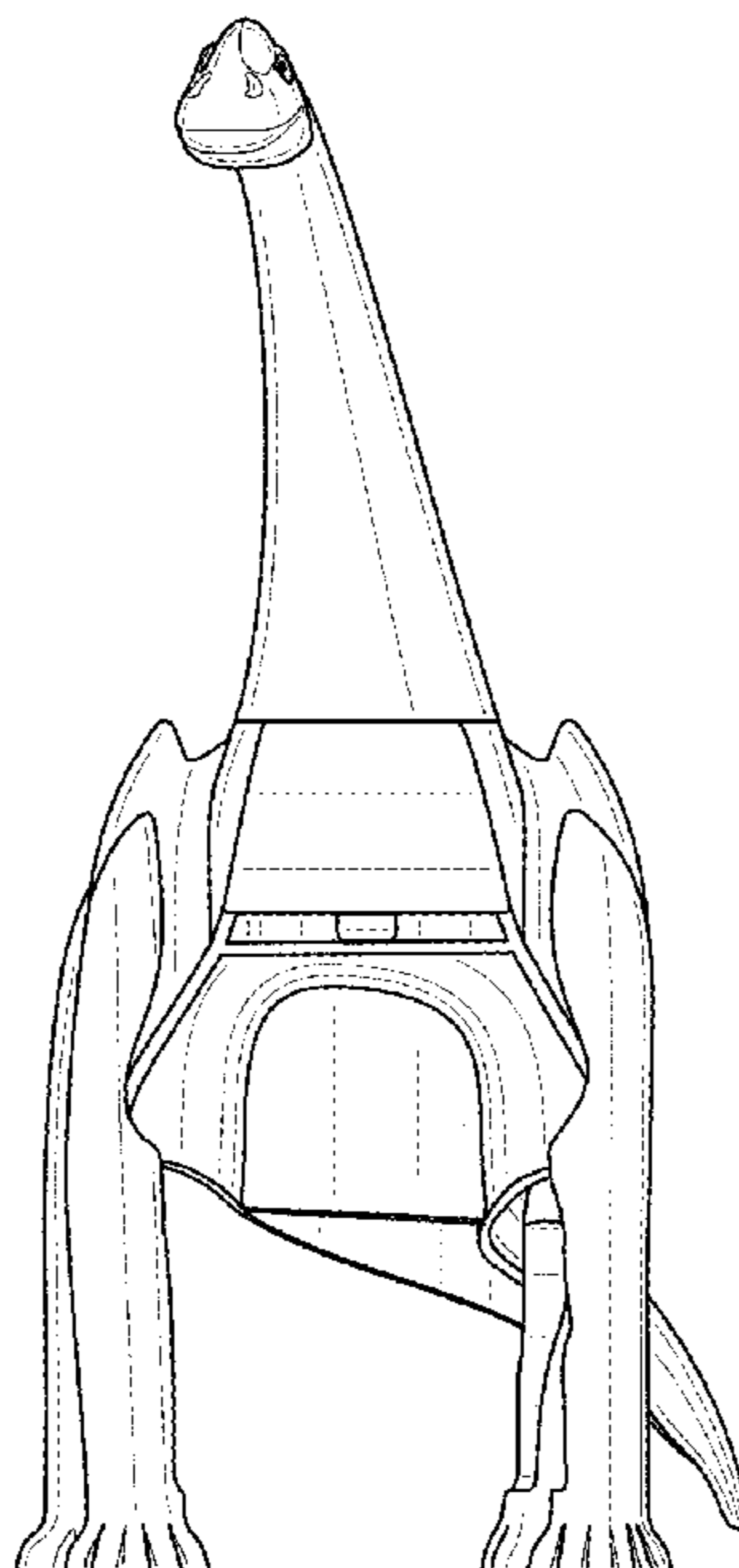
FIG. 12 is a top view of the second embodiment of the food holder of the new design.

FIG. 13 is a bottom view of the second embodiment of the food holder of the new design; and,

FIG. 14 is a top, front, left side perspective view of the second embodiment of the food holder of the new design.

The broken lines in the drawing depict portions of the food holder that form no part of the claimed design.

1 Claim, 14 Drawing Sheets



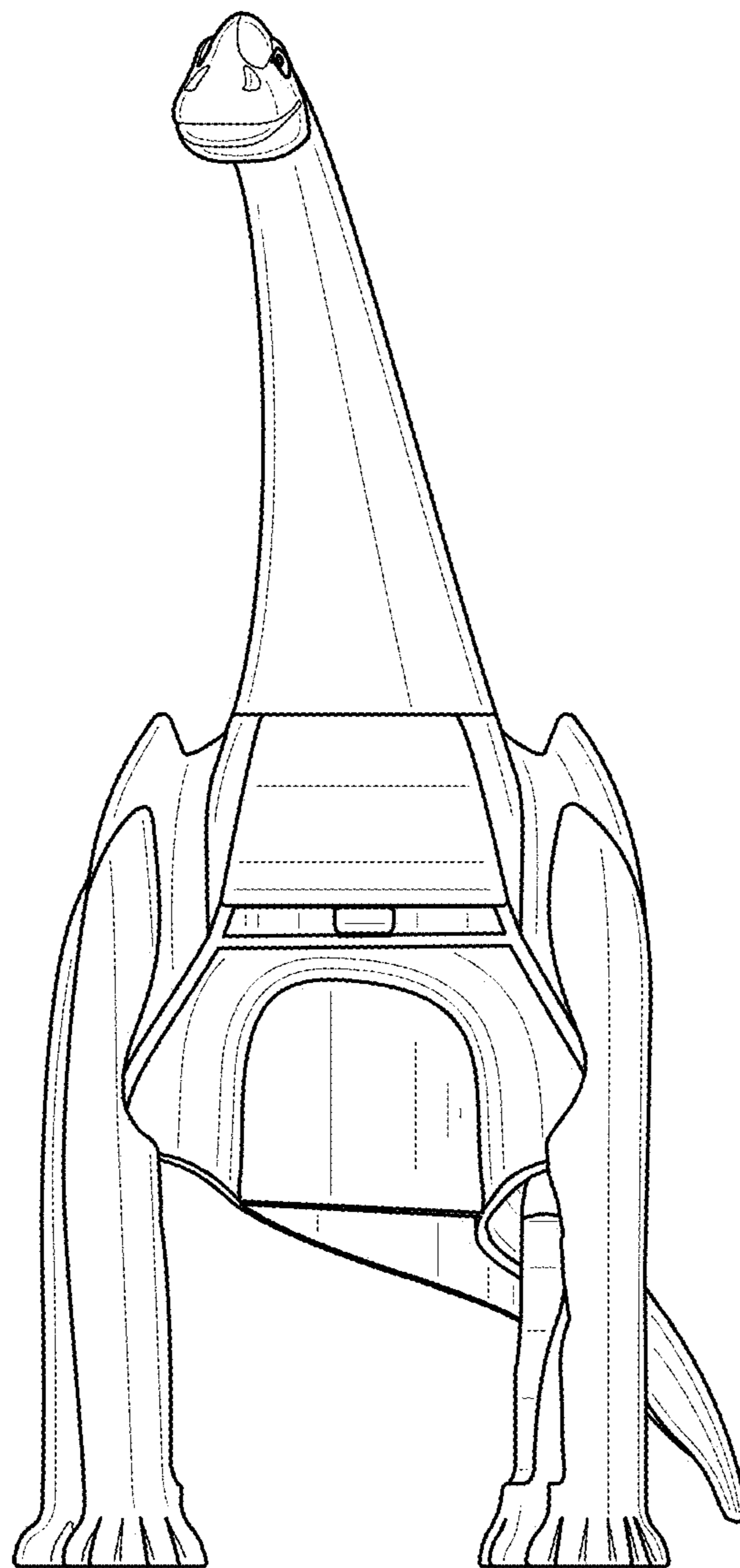


FIG. 1

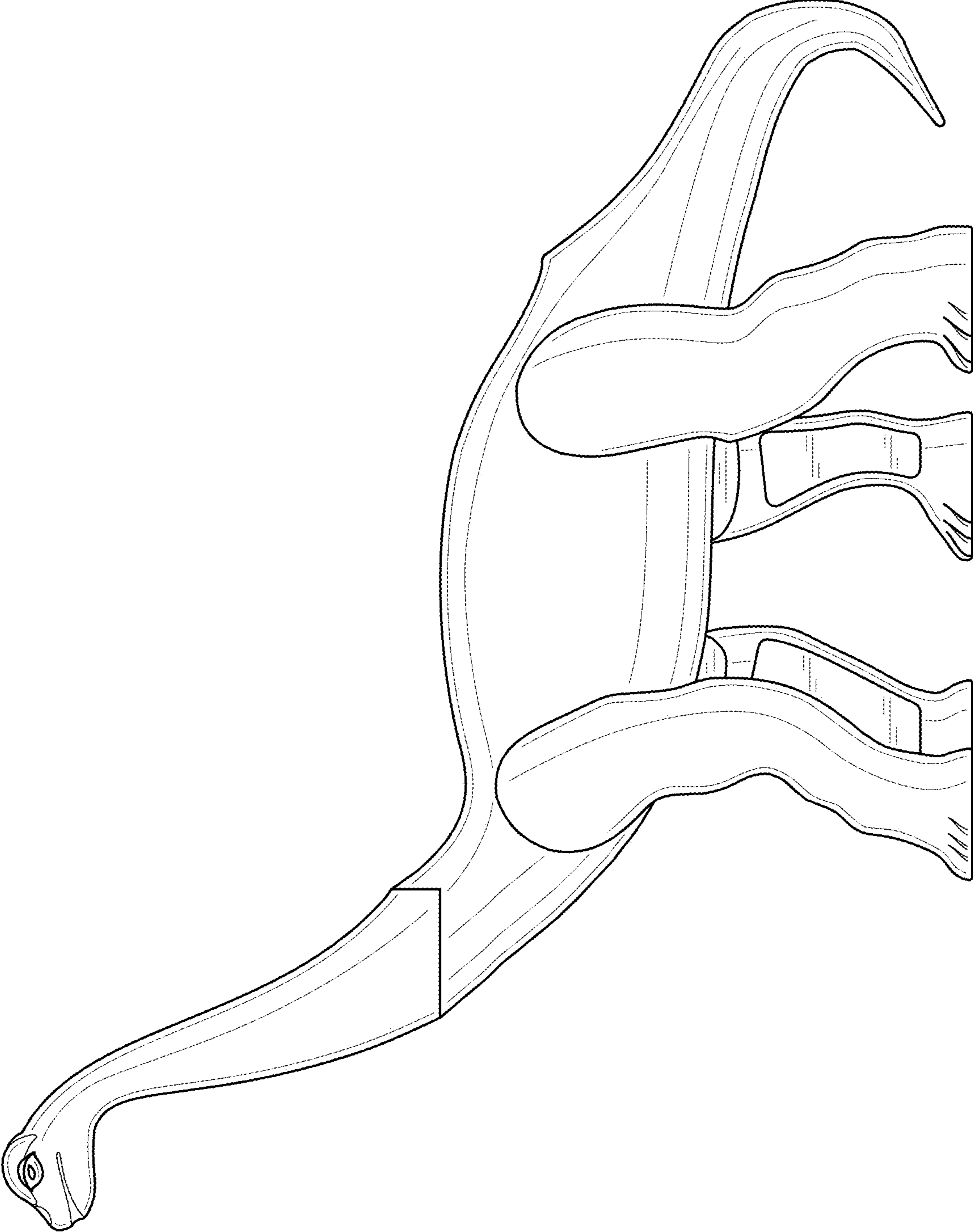


FIG. 2

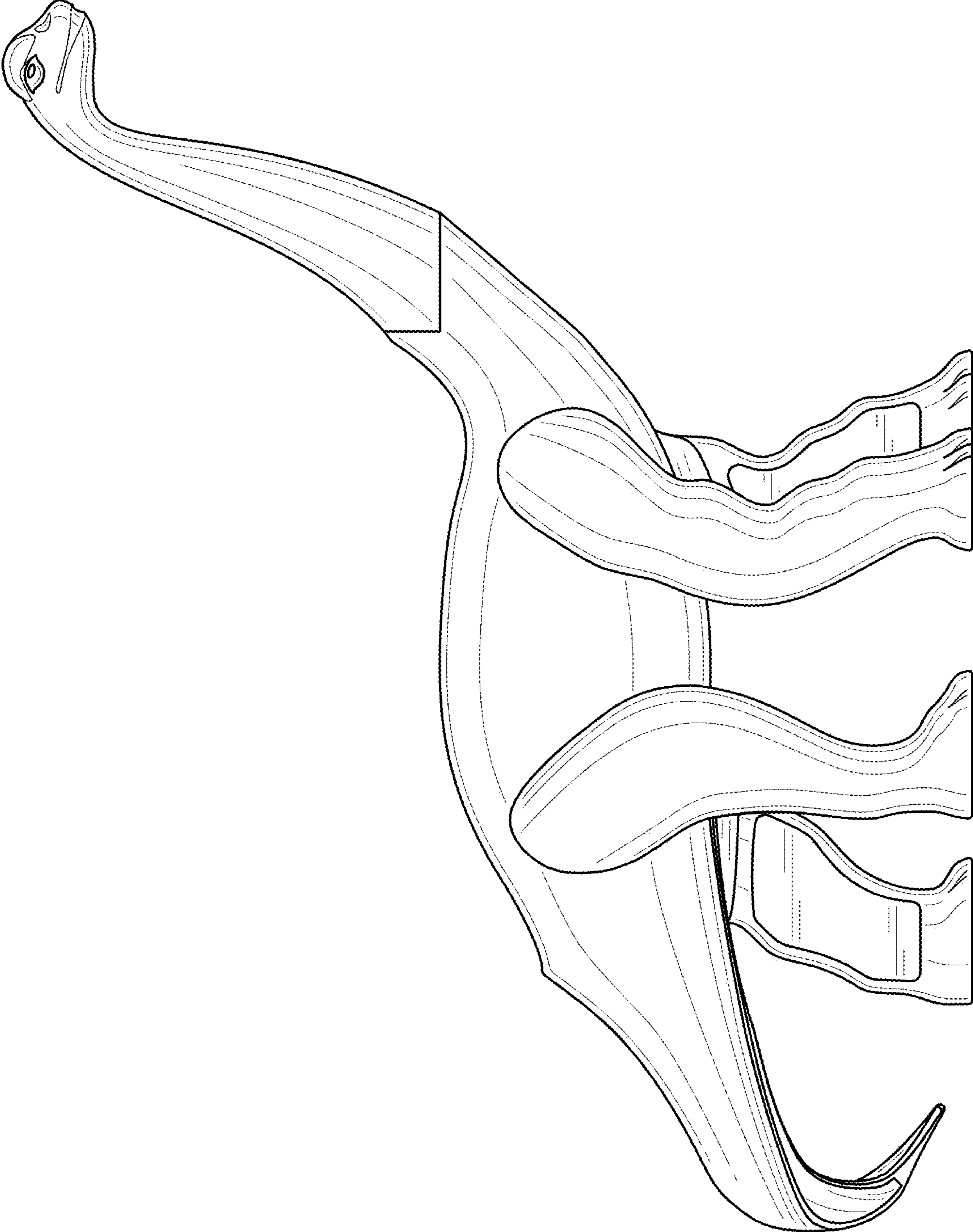


FIG. 3

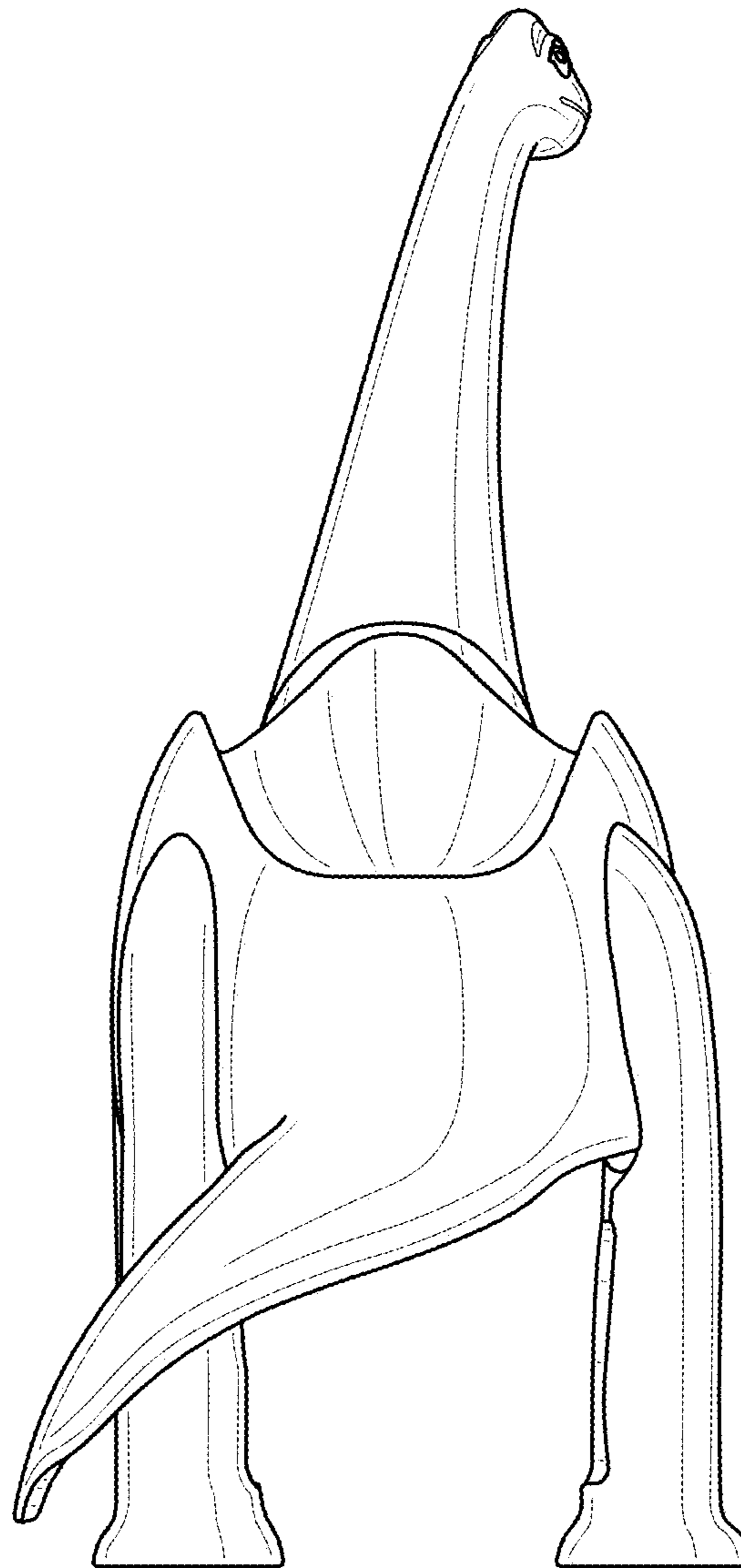


FIG. 4

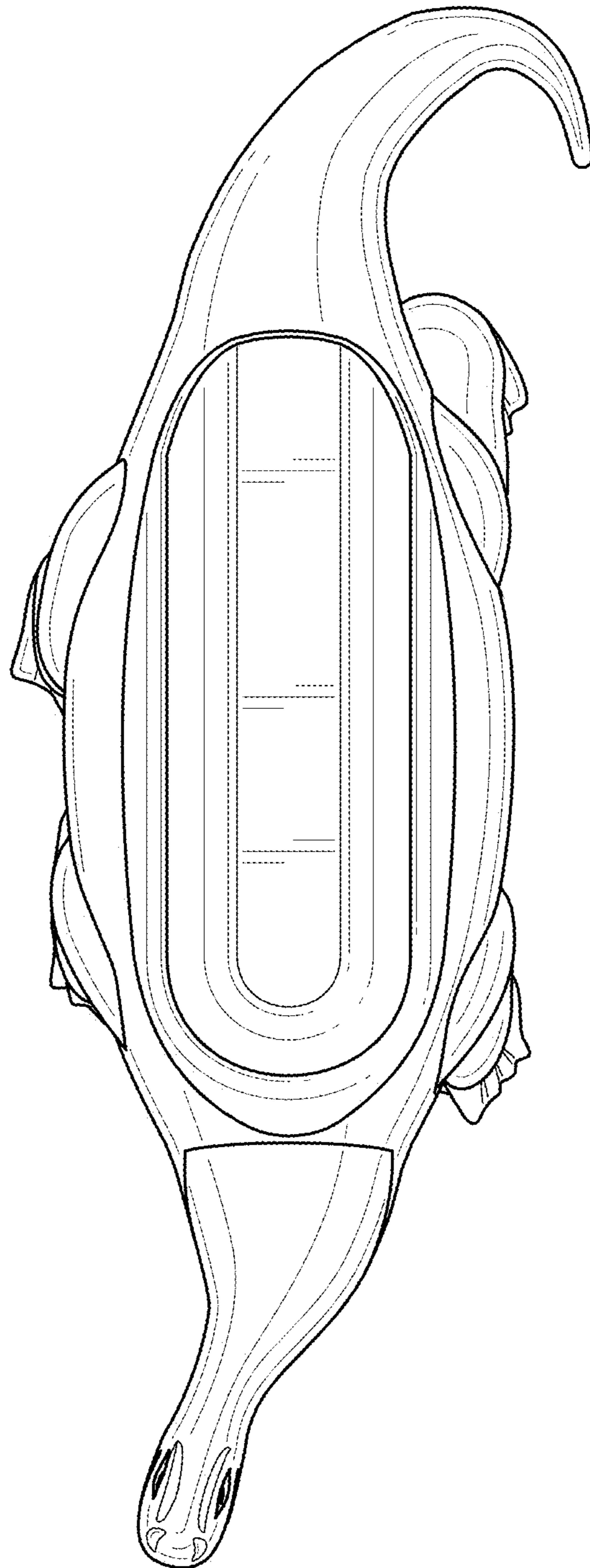


FIG. 5

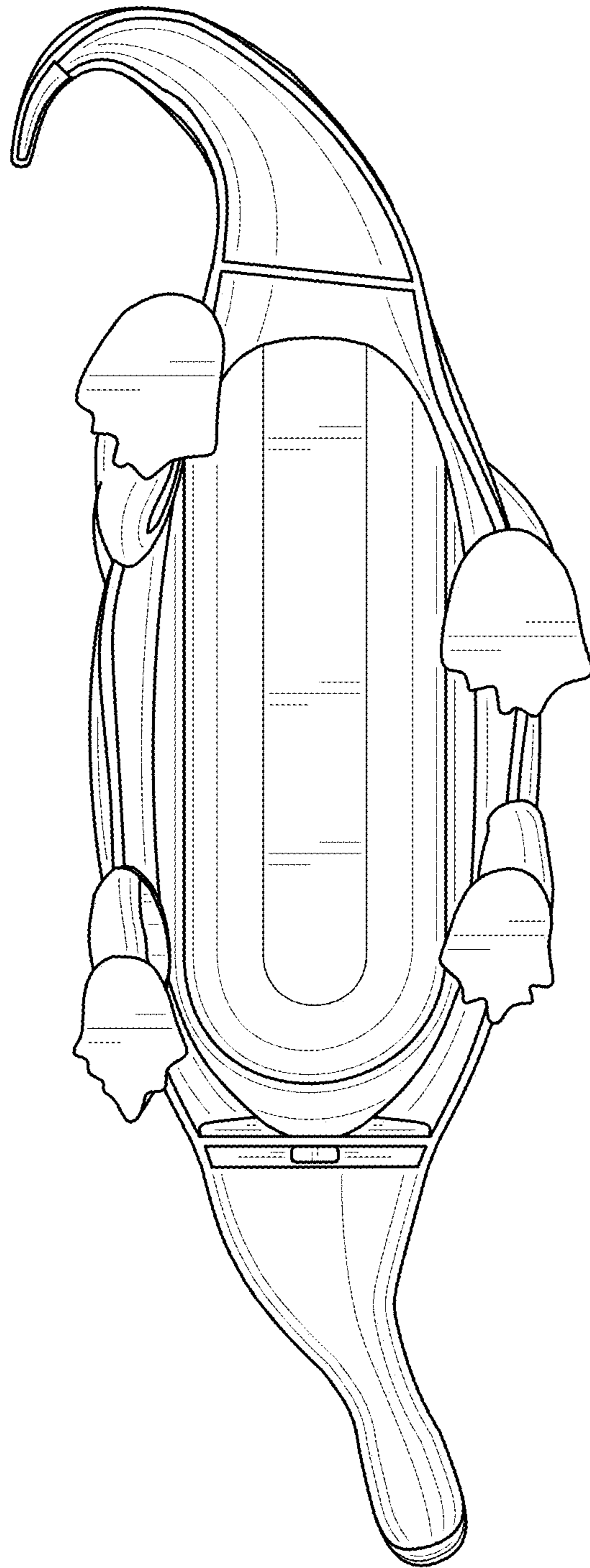


FIG. 6

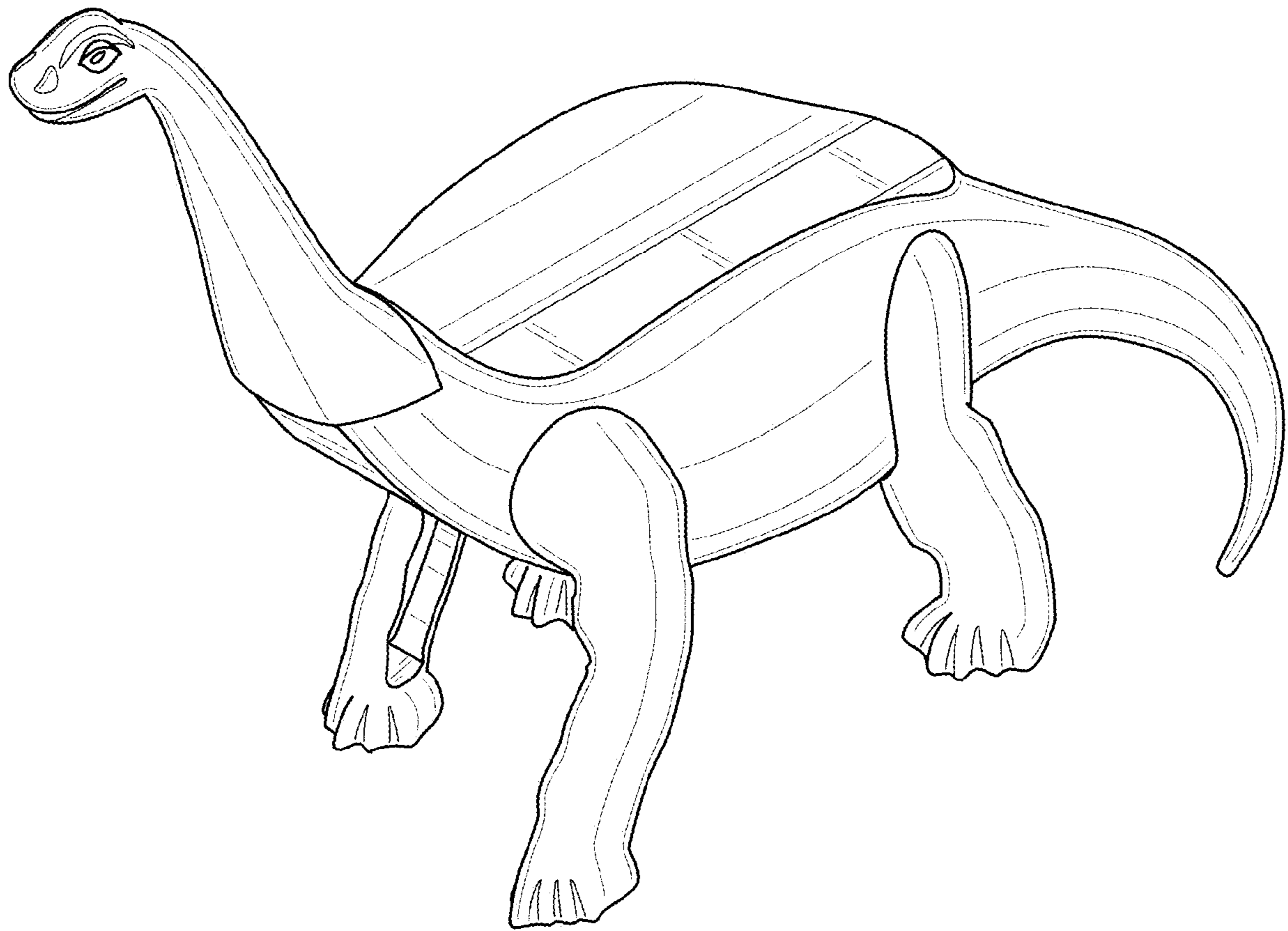


FIG. 7

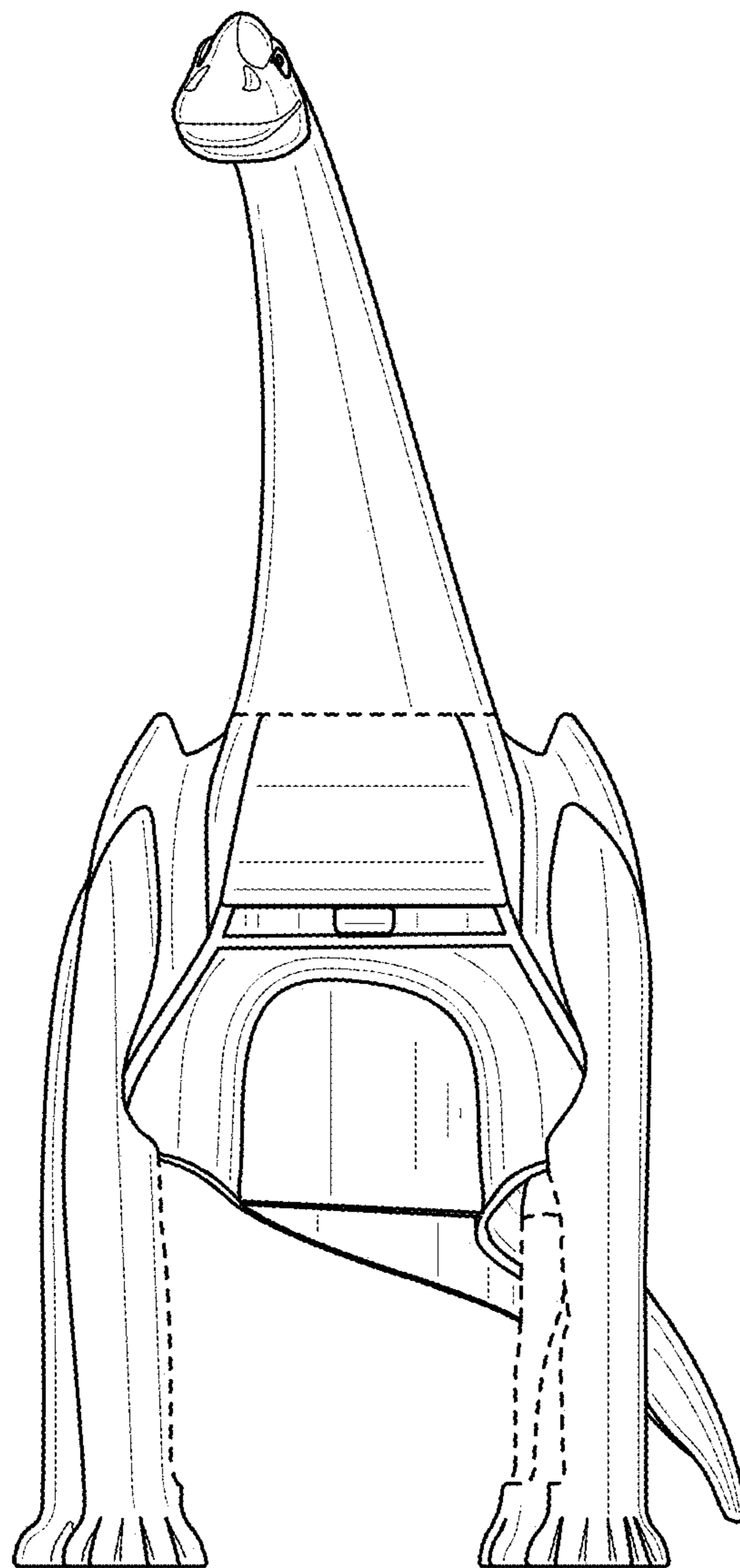


FIG. 8

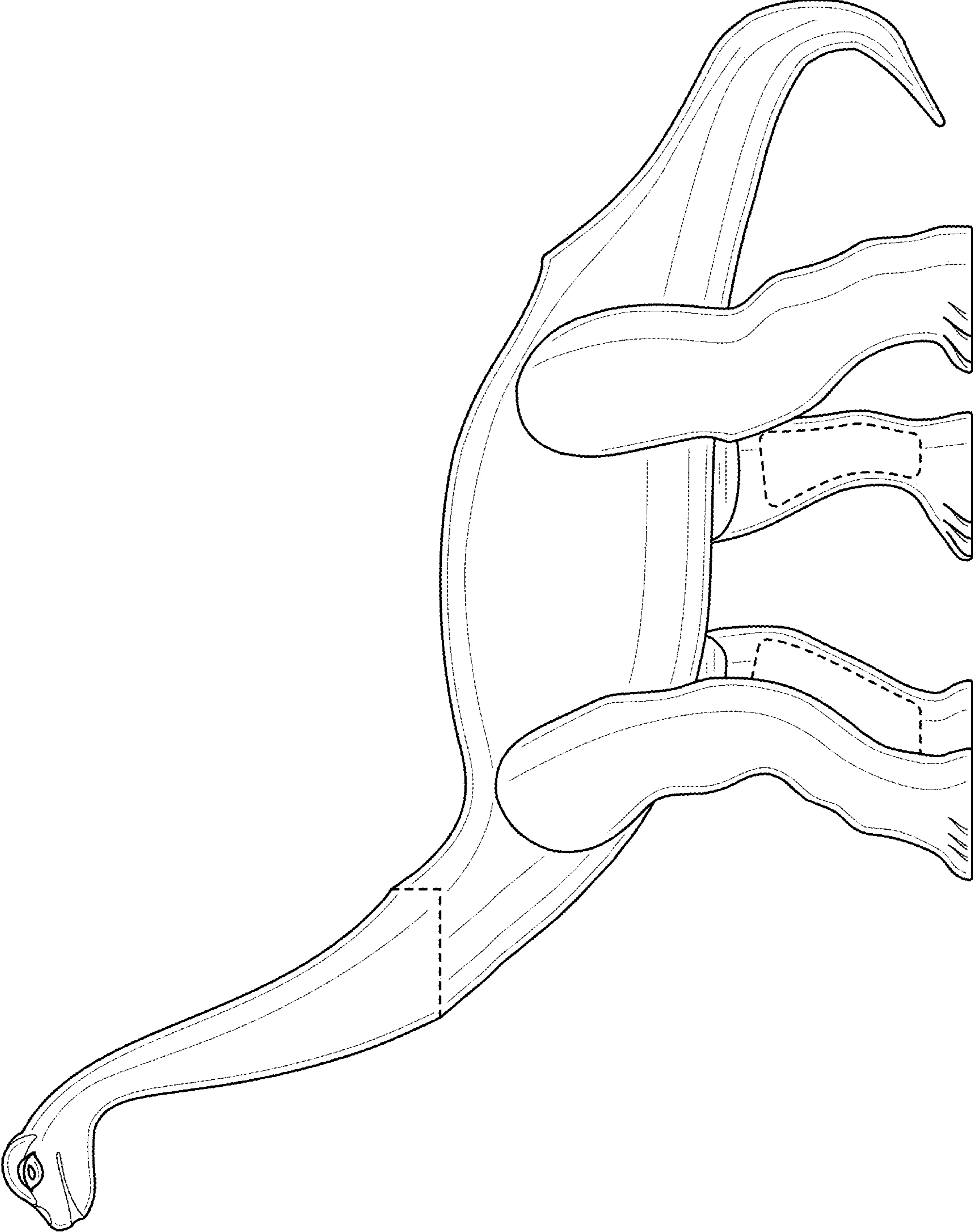


FIG. 9

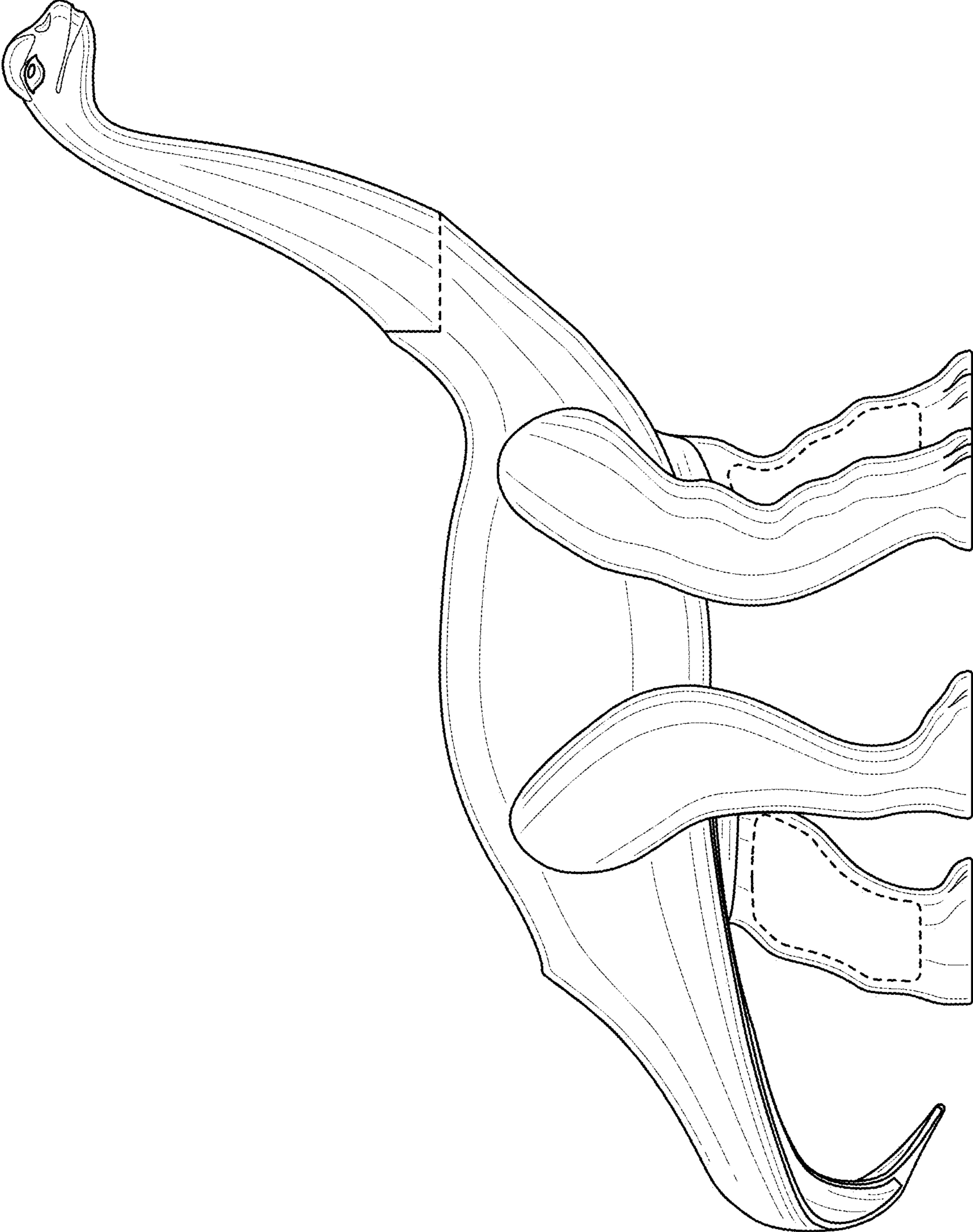


FIG. 10

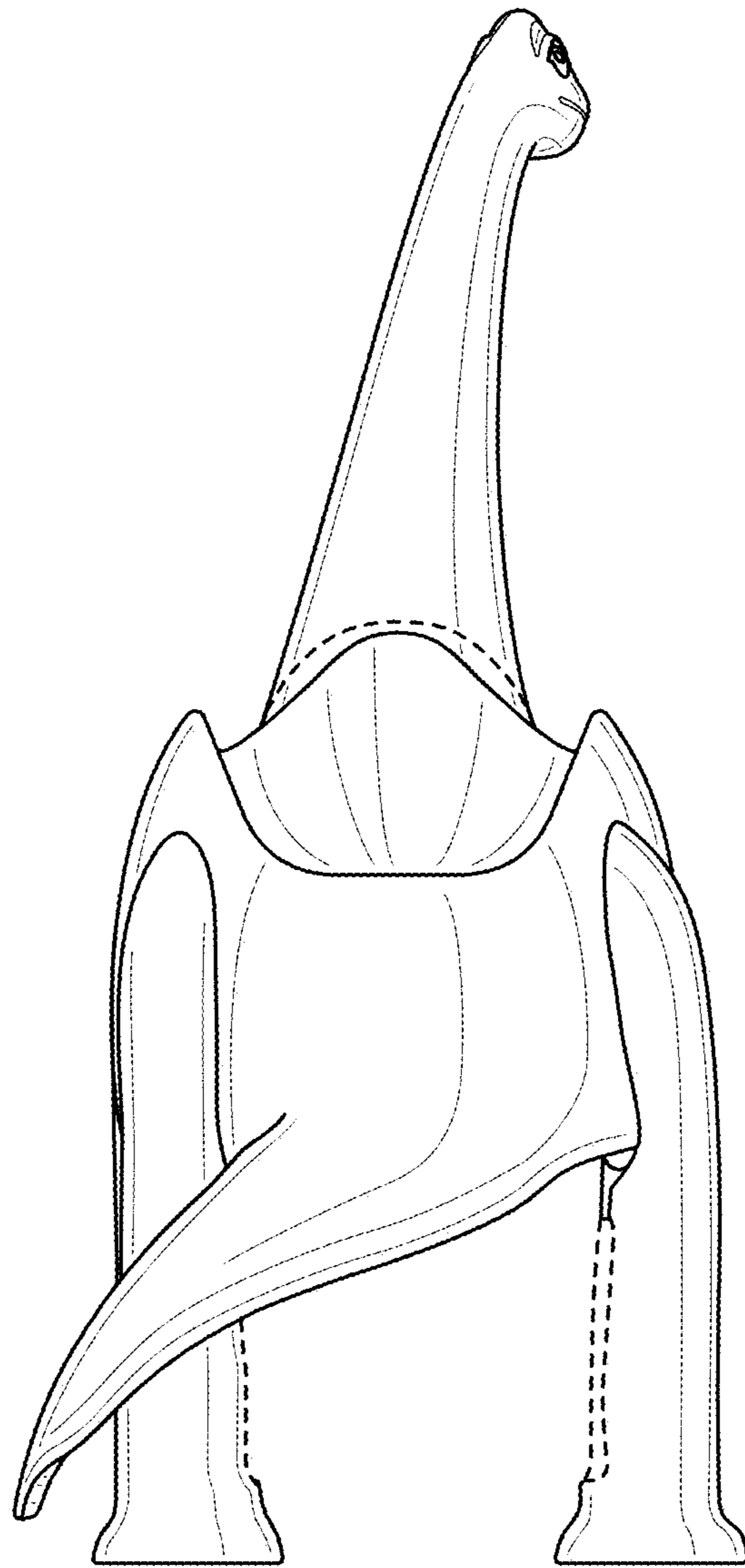


FIG. 11

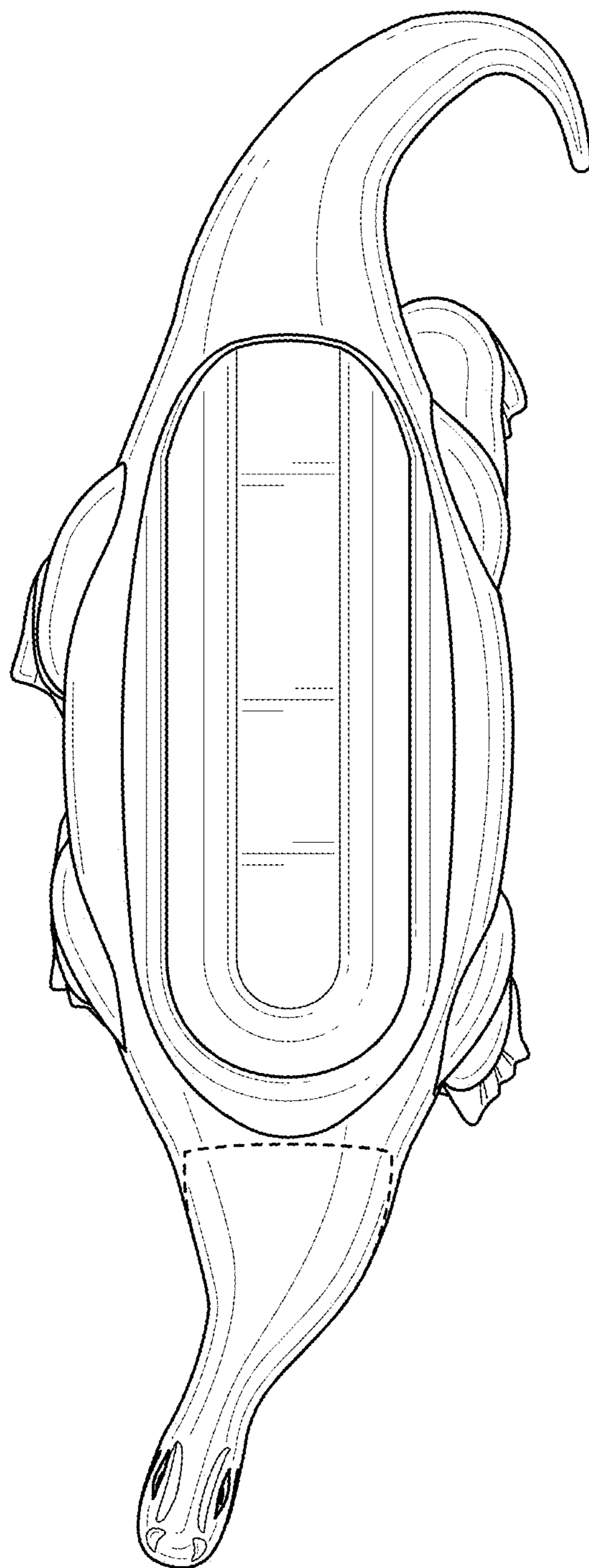


FIG. 12

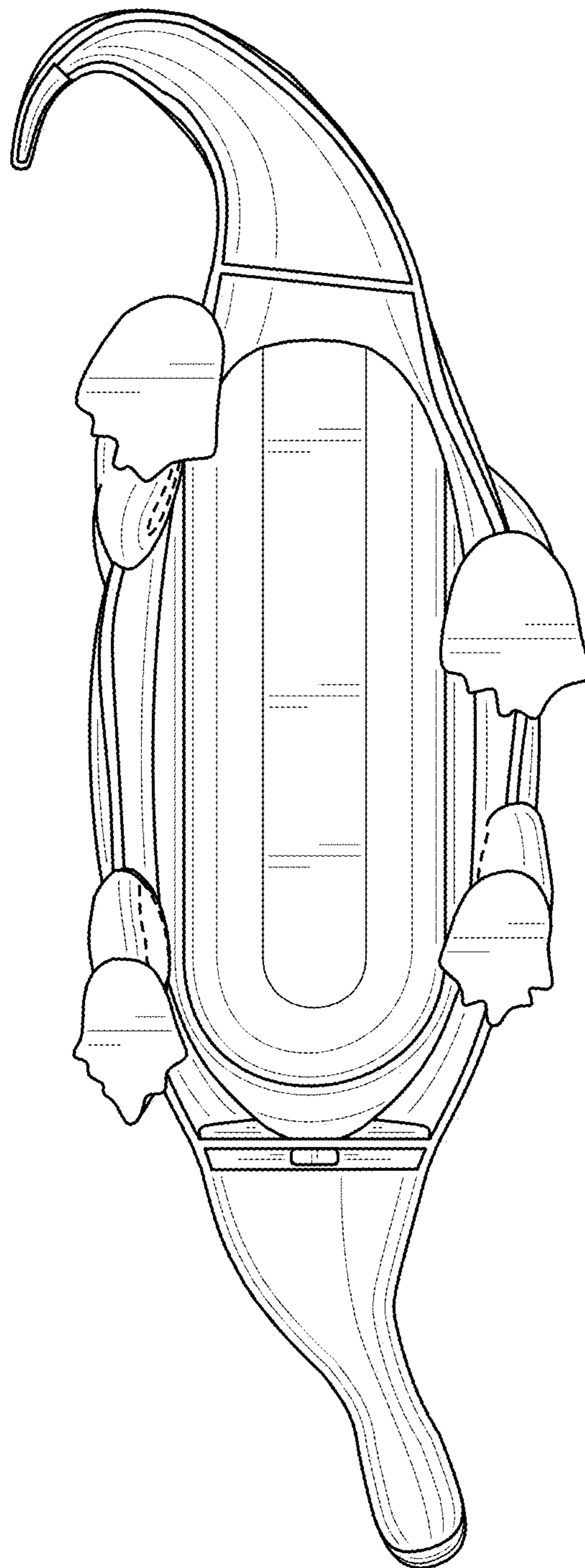


FIG. 13

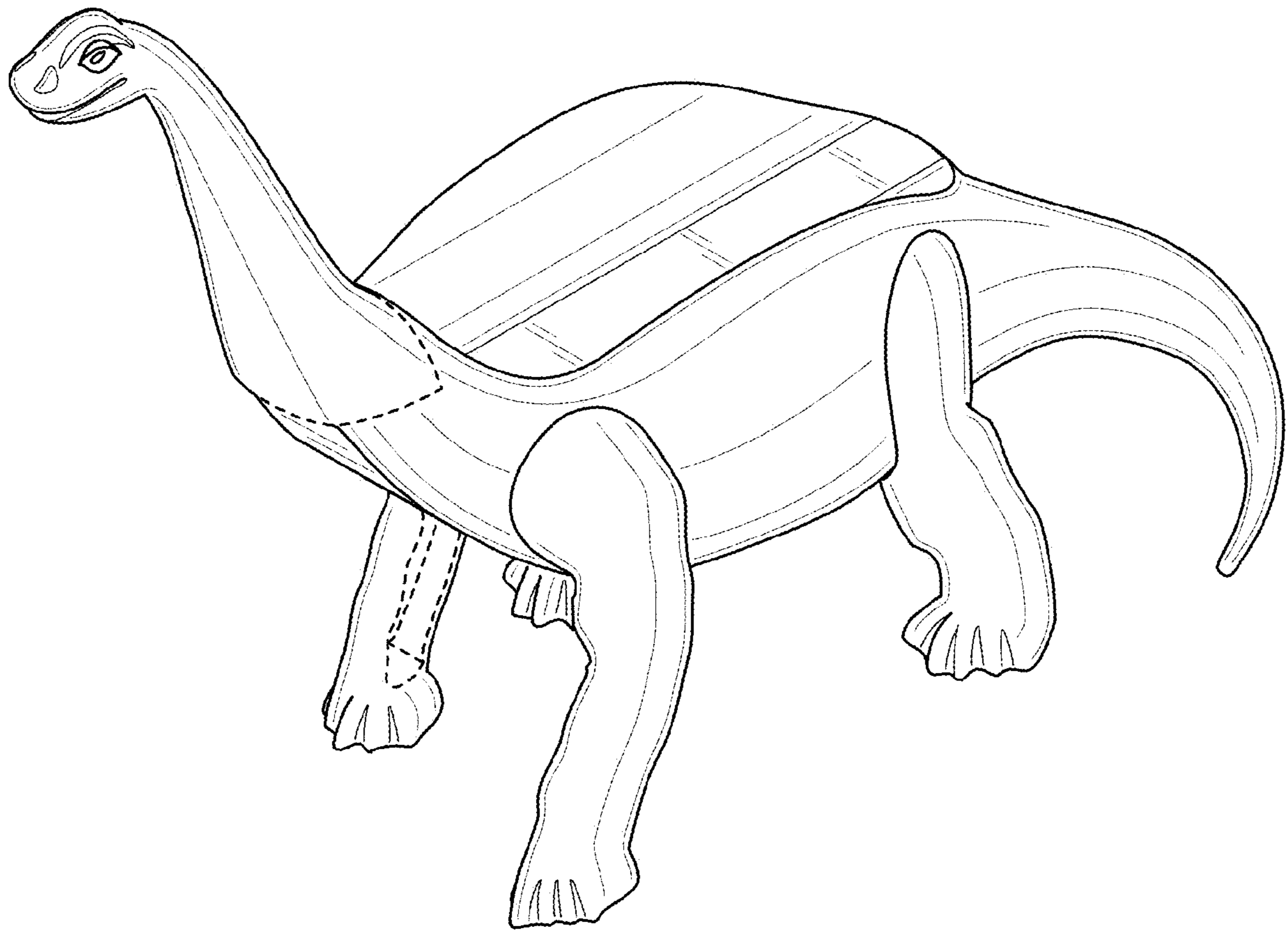


FIG. 14