



US00D896589S

(12) **United States Design Patent** (10) **Patent No.:** **US D896,589 S**
Smith (45) **Date of Patent:** **** Sep. 22, 2020**

(54) **SANDWICH COOKIE DUNKING CUP**

FOREIGN PATENT DOCUMENTS

(71) Applicant: **James K Smith**, Phoenix, AZ (US)

CN 302319625 * 2/2013
CN 104545239 * 4/2015 A47G 19/22

(72) Inventor: **James K Smith**, Phoenix, AZ (US)

(Continued)

(**) Term: **15 Years**

OTHER PUBLICATIONS

(21) Appl. No.: **29/678,990**

Dunky Cup, "Dunky Cup," Jun. 1, 2017, Amazon.com, www.amazon.com/Dunky-Cup-Dunking-Sandwich-Cookies/dp/B072Q3KTVZ (Year: 2017).*

(22) Filed: **Jan. 31, 2019**

Related U.S. Application Data

(63) Continuation-in-part of application No. 15/731,022, filed on Apr. 7, 2017, now abandoned.

(51) **LOC (12) Cl.** **07-01**

(52) **U.S. Cl.**
USPC **D7/536**

(58) **Field of Classification Search**

USPC D7/302, 394, 396.2, 505, 509, 510, 511, D7/515, 516, 523, 524, 532, 533, 536, D7/577, 598, 608; D28/89; D9/425, D9/716; D21/472; D11/146, 149; 215/377; 220/23.6, 200, 371, 501, 505, 220/555, 700, 703; 219/725
CPC A47G 19/22; A47G 19/2272; A47G 19/2211; A47G 19/2227; H05B 6/80; A45F 3/18; B65D 1/265; B65D 1/10; B65D 23/00; B65D 25/04; G10D 3/163; G10K 9/02; A44C 25/007; B44D 3/128; B44D 3/12

See application file for complete search history.

(56) **References Cited**

U.S. PATENT DOCUMENTS

66,788 A * 7/1867 Brooks B65D 1/24
220/555
149,887 A * 4/1874 Sawyer A47G 19/02
220/23.8

(Continued)

Primary Examiner — Shannon W Morgan

Assistant Examiner — Arva P Adams

(74) *Attorney, Agent, or Firm* — HPS Law Group LLC; Clark Proffitt

(57) **CLAIM**

I claim the ornamental design for a sandwich cookie dunking cup, as shown and described.

DESCRIPTION

FIG. 1 is an isometric view of a sandwich cookie dunking cup showing my new design;

FIG. 2 is a top view of a sandwich cookie dunking cup showing my new design;

FIG. 3 is a bottom view of a sandwich cookie dunking cup showing my new design;

FIG. 4 is a right view of a sandwich cookie dunking cup showing my new design;

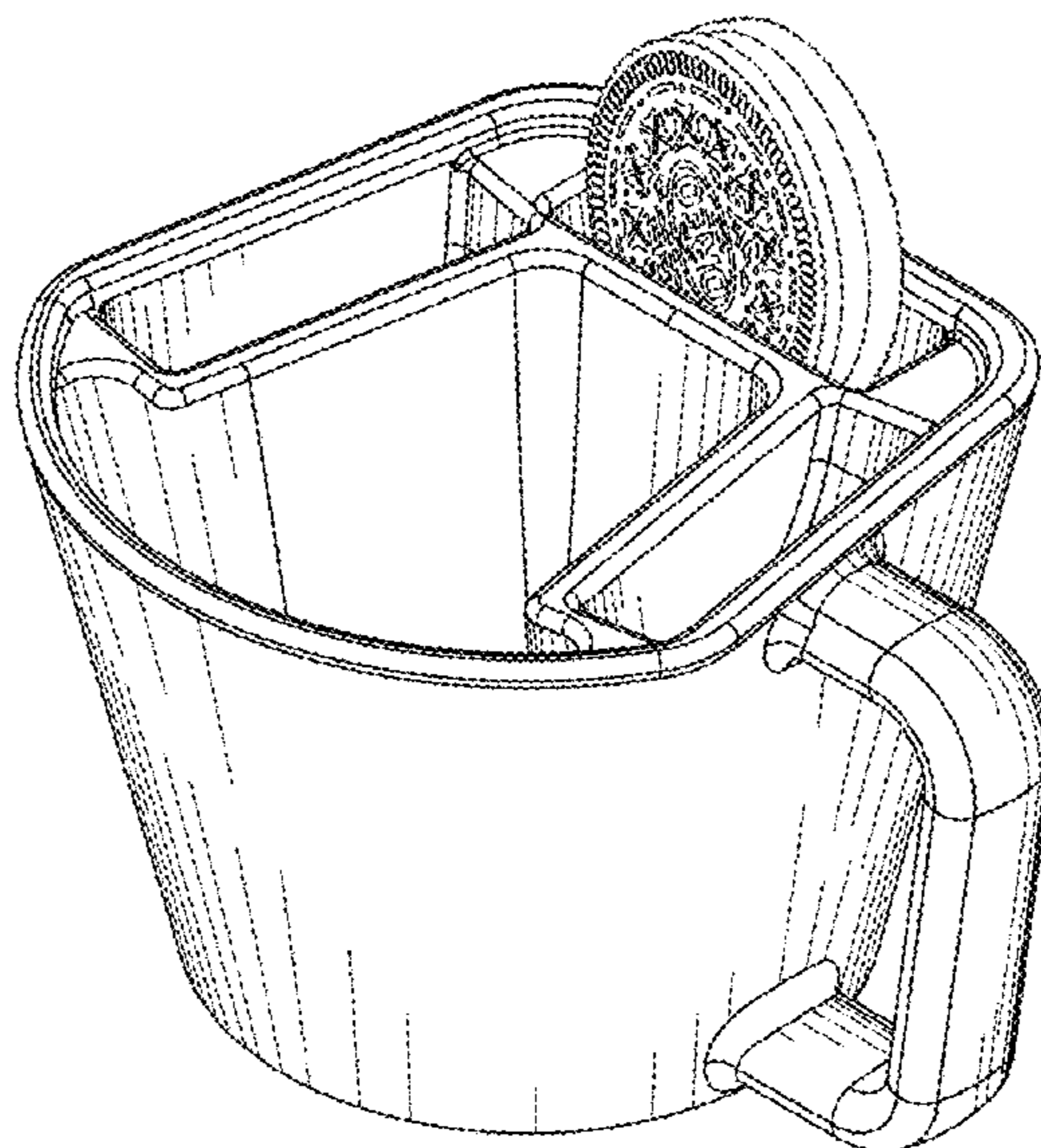
FIG. 5 is a cross-sectional view of a sandwich cookie dunking cup, taken along section cut line 5-5 of FIG. 2;

FIG. 6 is a rear view of sandwich cookie dunking cup showing my new design; and,

FIG. 7 is a cross-sectional view of a sandwich cookie dunking cup, taken along section cut line of 7-7 of FIG. 4.

The broken lines showing of a cookie is for the purpose of illustrating environmental subject matter and forms no part of the claimed design.

1 Claim, 7 Drawing Sheets



(56)

References Cited

U.S. PATENT DOCUMENTS

258,777 A * 5/1882 Leonard A24F 19/06
220/501
913,380 A * 2/1909 Hasselbring A24F 19/06
220/501
1,276,018 A * 8/1918 Blaetus A47G 19/06
220/735
2,215,691 A * 9/1940 East A45D 27/16
220/501
2,591,606 A * 4/1952 Reed A47G 19/22
99/316
2,602,309 A * 7/1952 Doyle A47G 19/22
220/23.83
2,613,517 A * 10/1952 Frantz A47G 19/22
220/23.2
2,912,134 A * 11/1959 Kuhlman A47G 19/22
220/527
3,261,494 A * 7/1966 Walker, Jr. A47G 19/2205
220/555
4,061,242 A * 12/1977 Donlon B44D 3/128
220/506
D258,796 S * 4/1981 Paulides B44D 3/128
D7/513
D277,354 S * 1/1985 Levine B44D 3/128
215/6
D282,615 S * 2/1986 Levine B44D 3/12
D7/513
D283,385 S * 4/1986 Mansueto D7/513
D283,386 S * 4/1986 Mansueto B44D 3/128
D7/513
D283,476 S * 4/1986 Mansueto A47G 19/2266
D7/513
4,703,849 A * 11/1987 Vezirian B65D 81/32
206/19
D295,009 S * 4/1988 Mansueto B65D 81/32
D7/513
D310,941 S * 10/1990 Carty A47G 19/2205
D28/44.1

5,405,030 A * 4/1995 Frazier A47G 19/2205
215/6
5,549,216 A * 8/1996 Scholl B44D 3/12
220/695
D373,707 S * 9/1996 Seaburg B44D 3/12
D7/513
5,746,113 A * 5/1998 Ko A47G 19/16
99/279
D404,241 S * 1/1999 Bagley B44D 3/12
D7/513
6,138,963 A * 10/2000 Malvasio B44D 3/12
220/555
7,165,697 B1 * 1/2007 Checkalski A47G 19/2205
215/6
D537,996 S * 3/2007 Lundy B44D 3/12
D32/53.1
D557,985 S * 12/2007 Arcangeli A47G 19/22
D7/536
D561,537 S * 2/2008 Schosser A47G 19/22
D7/533
7,467,728 B2 * 12/2008 Lundy B44D 3/12
220/505
9,145,233 B2 * 9/2015 Cerrato B65D 25/04
D748,497 S * 2/2016 Cruz A47G 19/22
D9/737
D753,441 S * 4/2016 Varano A47G 19/22
D7/507
D761,511 S * 7/2016 Malvasio A47G 19/22
D32/53.1
D824,213 S * 7/2018 Abrell A47G 19/22
D7/507
2006/0021989 A1 * 2/2006 Friedman A47G 19/22
220/703
2007/0181581 A1 * 8/2007 Ross A47G 19/22
220/501

FOREIGN PATENT DOCUMENTS

CN 205386043 * 7/2016 A47G 19/22
GB 2446976 * 10/2008 A47G 19/22
WO 2017171589 A1 * 10/2017

* cited by examiner

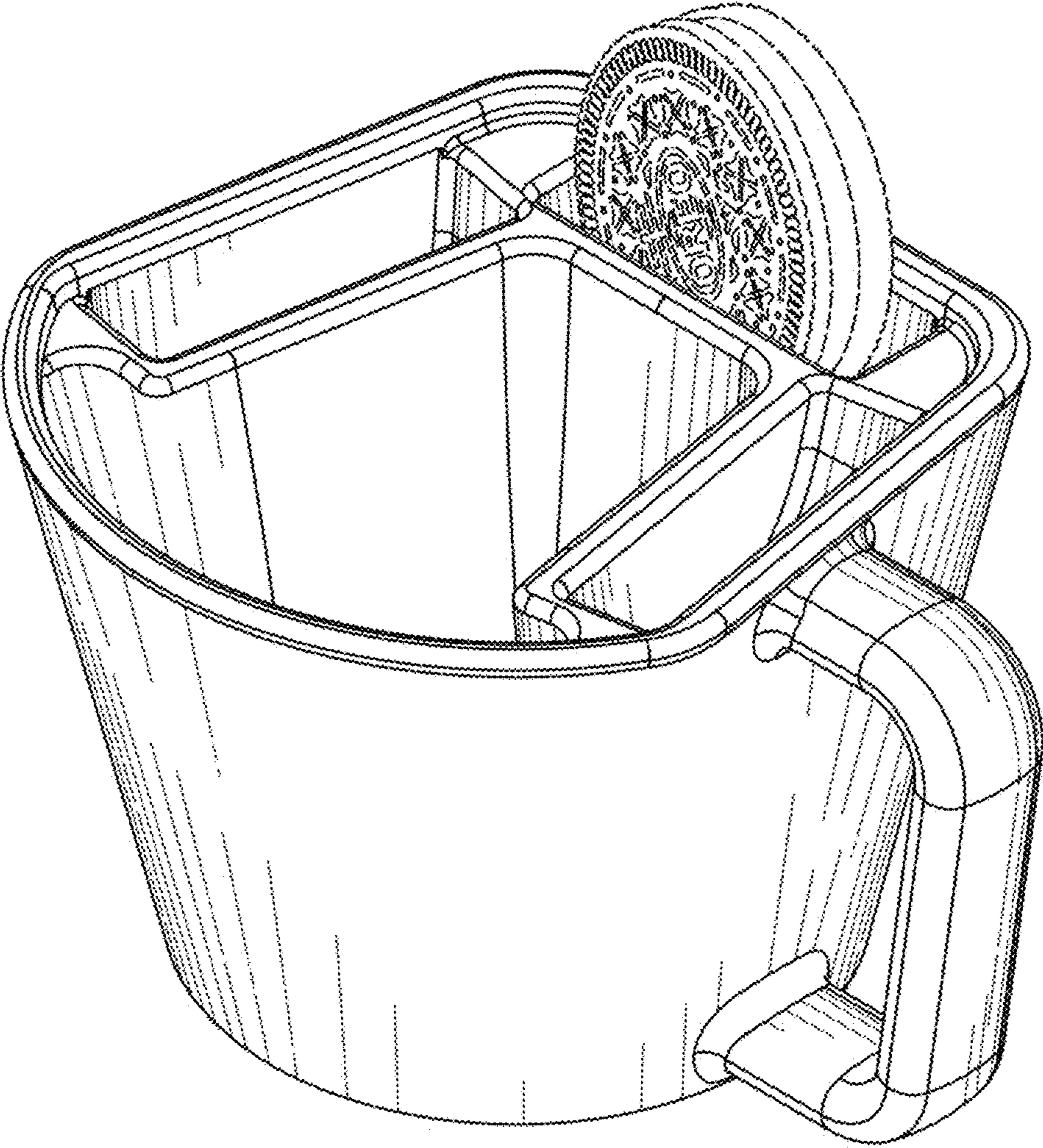


Fig. 1

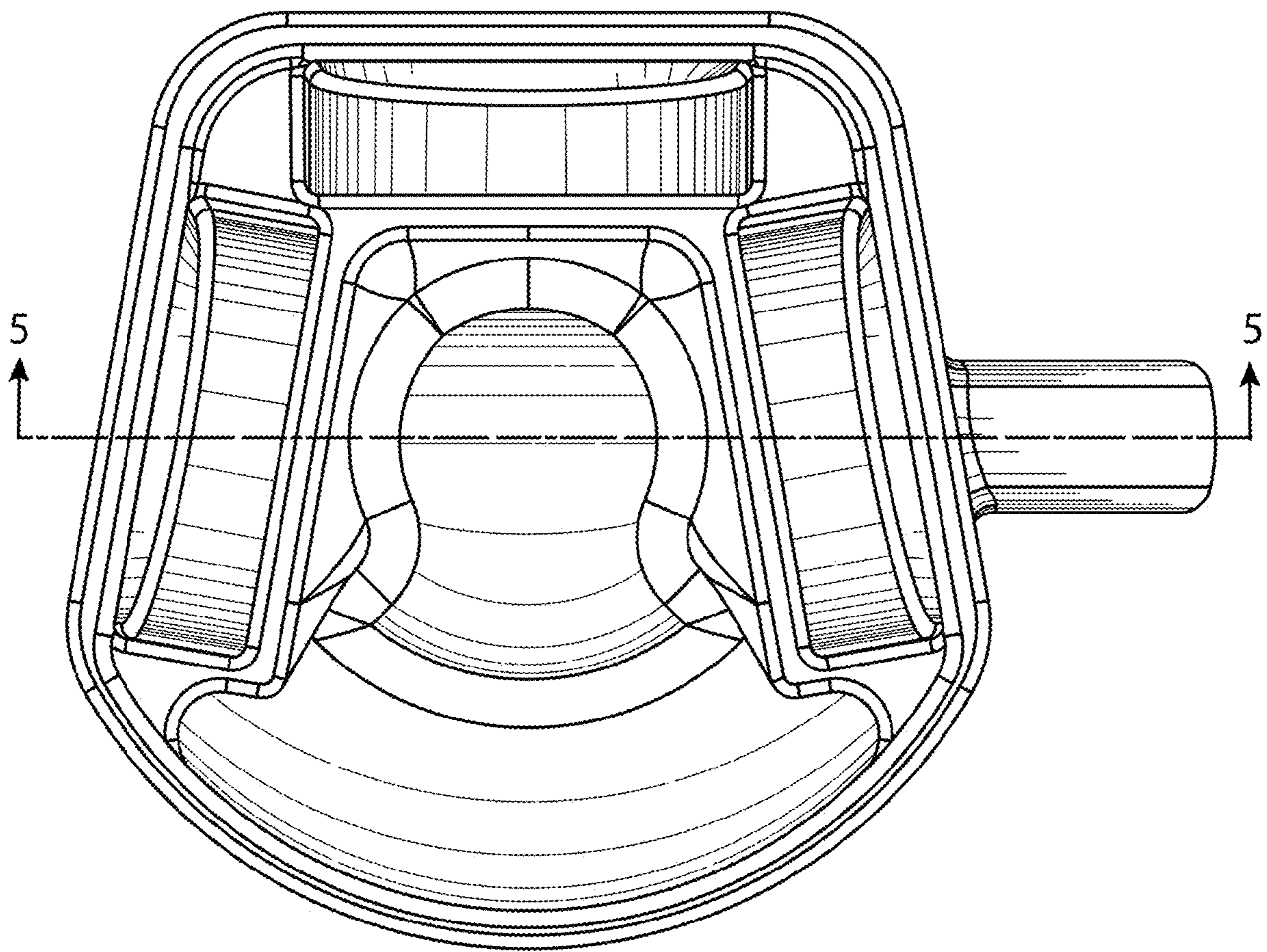


Fig. 2

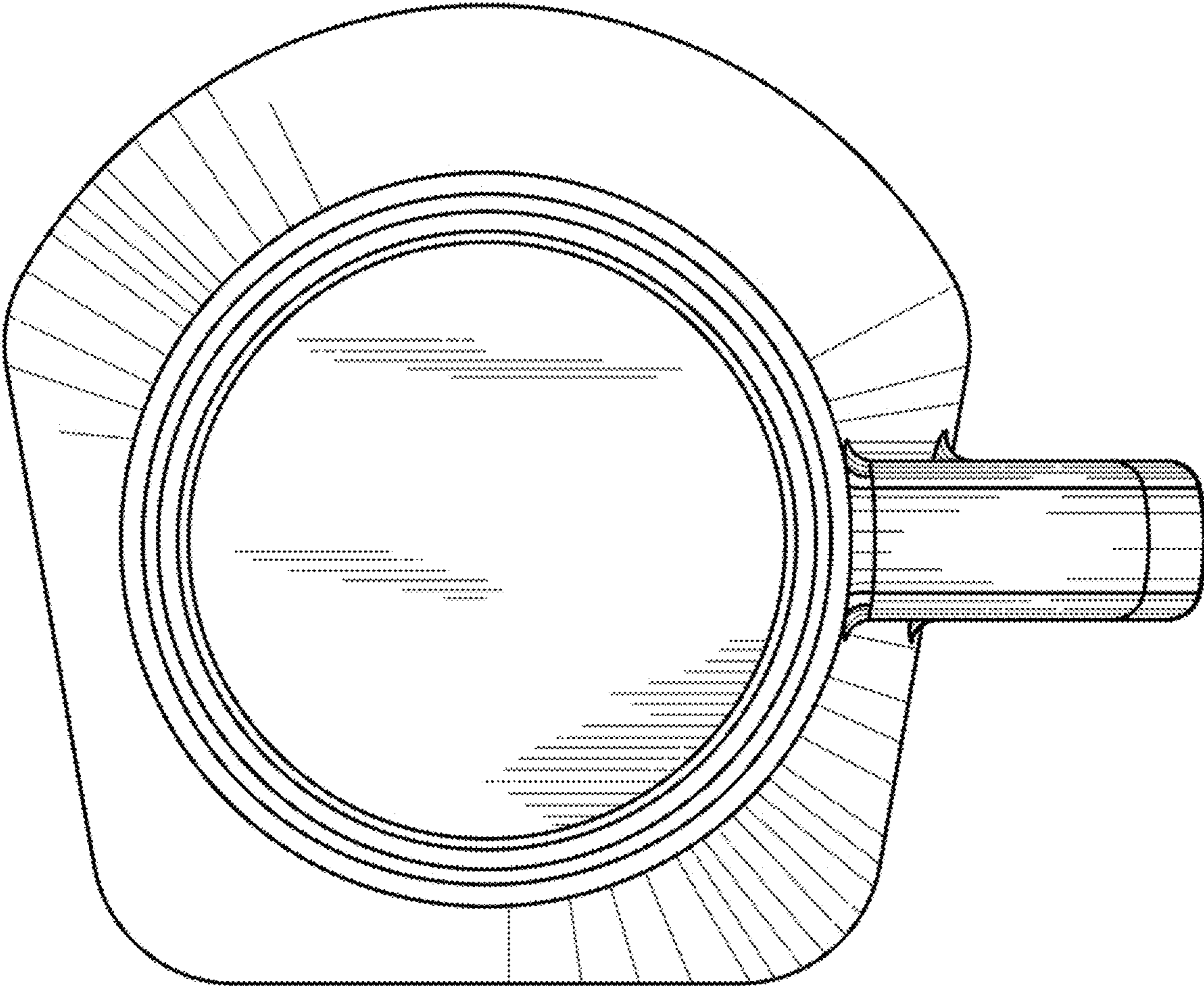


Fig. 3

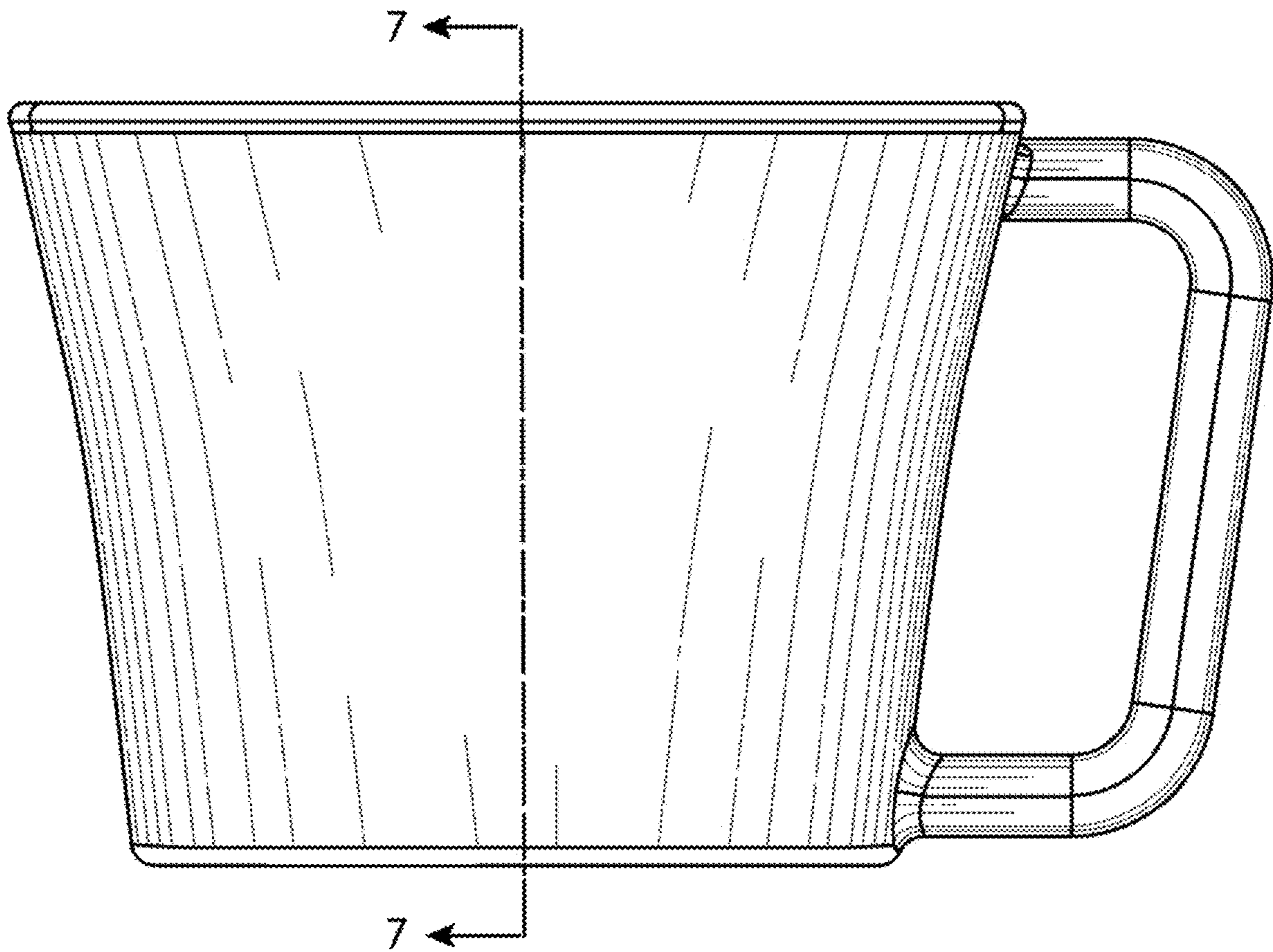


Fig. 4

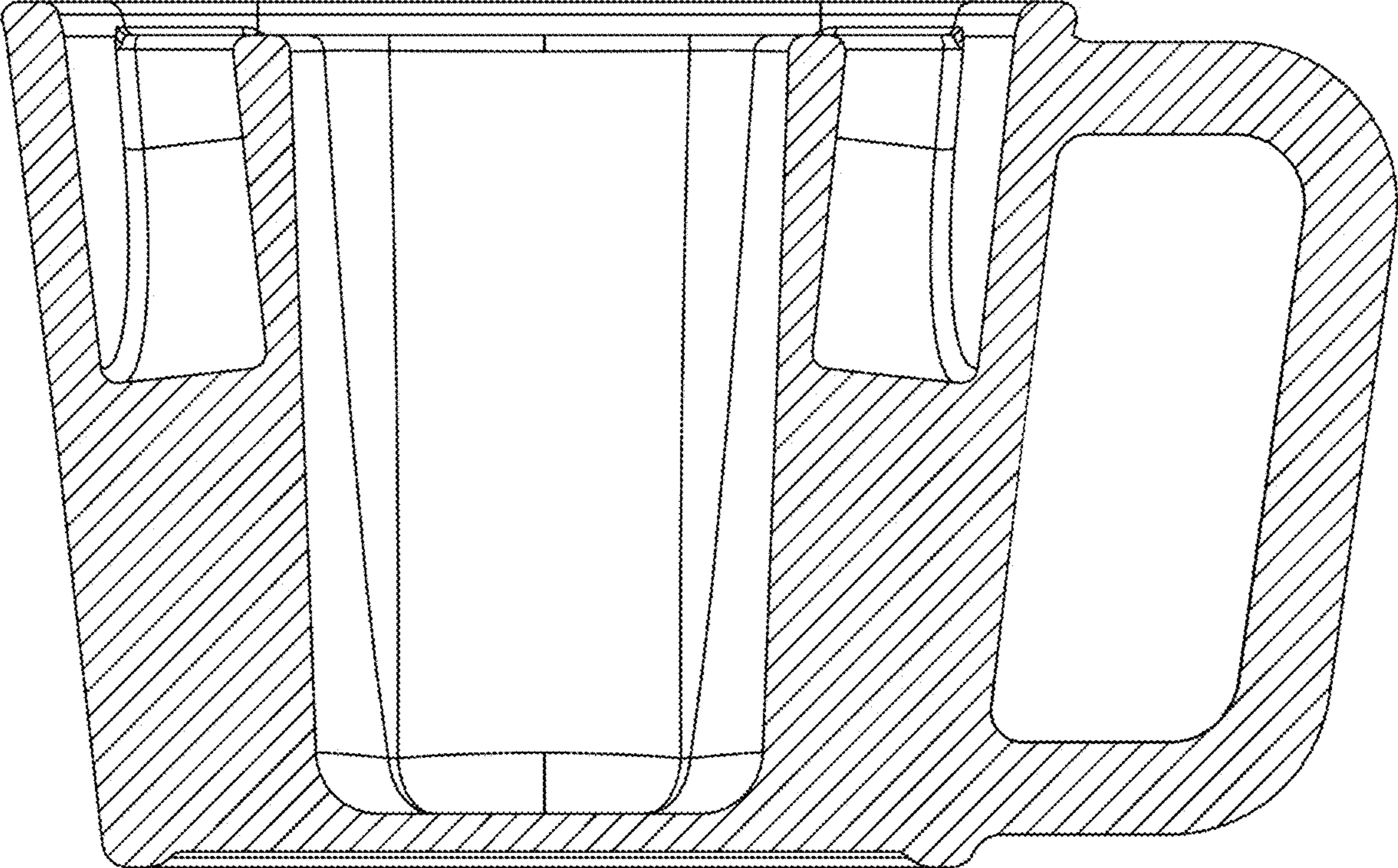


Fig. 5

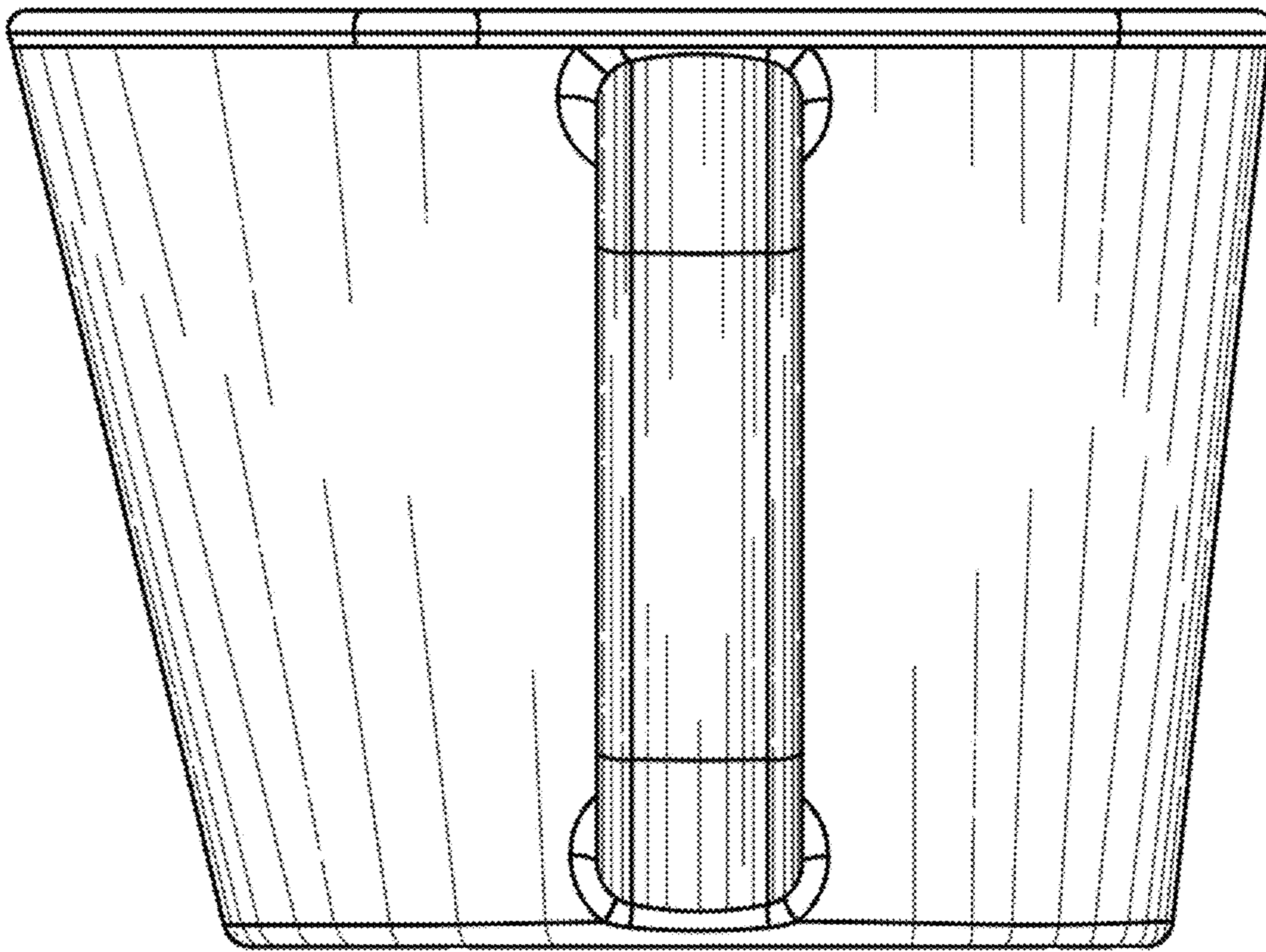


Fig. 6

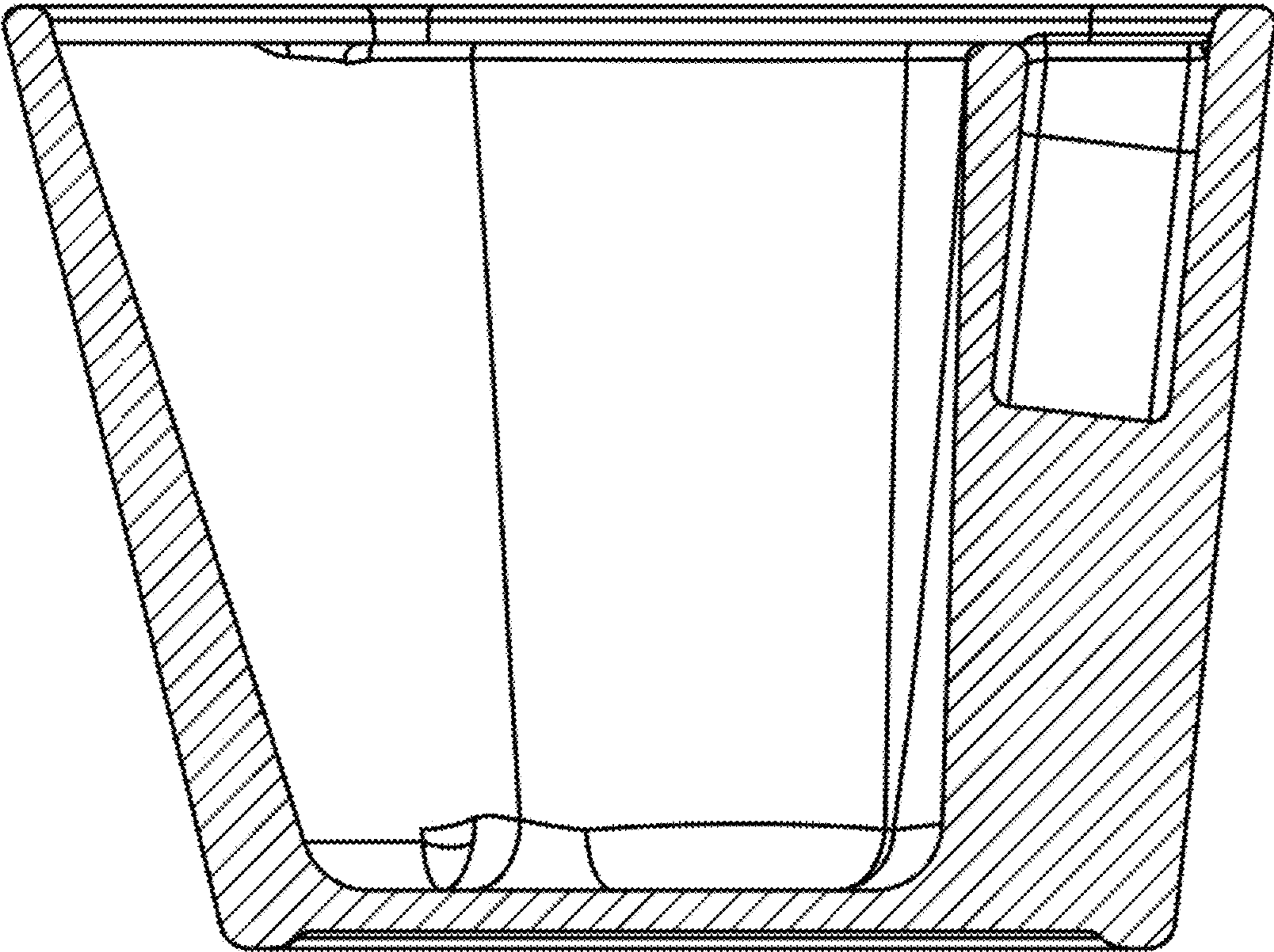


Fig. 7