



US00D896588S

(12) **United States Design Patent**
Leclercq

(10) **Patent No.:** **US D896,588 S**

(45) **Date of Patent:** **** Sep. 22, 2020**

- (54) **STEMWARE**
- (71) Applicant: **ARC HOLDINGS**, Arques (FR)
- (72) Inventor: **Pascal Leclercq**, Wardrecque (FR)
- (73) Assignee: **ARC HOLDINGS**, Arques (FR)
- (**) Term: **15 Years**

- 5,014,865 A * 5/1991 Sauber A47G 19/2255
215/377
- D355,812 S * 2/1995 DuBow D7/524
- 5,609,409 A * 3/1997 Diehl A47G 19/2255
362/101
- D406,986 S * 3/1999 Lewis D7/524
- 5,931,558 A * 8/1999 Chen A47G 19/2227
362/101
- D452,634 S * 1/2002 Weinberg D7/524
- D459,633 S * 7/2002 Kerman D7/525

(Continued)

(21) Appl. No.: **29/638,368**

(22) Filed: **Feb. 27, 2018**

(30) **Foreign Application Priority Data**

- Aug. 28, 2017 (EM) 004169225-0012
- Aug. 28, 2017 (EM) 004169225-0016

(51) **LOC (12) Cl.** **07-01**

(52) **U.S. Cl.**
USPC **D7/524; D7/528**

(58) **Field of Classification Search**
USPC D7/524, 525, 526, 527, 528, 529, 537,
D7/507, 509, 510, 511, 512, 532, 523,
D7/396.2, 392.1; D11/152, 153; D9/651
CPC A47G 19/22; A47G 19/2288; A47G
19/2205; A47G 19/2216; A47G 19/2227;
A47G 19/2266; A47J 41/02; A45F 3/16;
A45F 3/20
See application file for complete search history.

(56) **References Cited**

U.S. PATENT DOCUMENTS

- 1,986,958 A * 1/1935 Cooperstein A47G 19/2255
215/377
- D104,573 S * 5/1937 McCarney D7/524
- 3,735,113 A * 5/1973 Stott A01K 63/06
362/565
- D262,253 S * 12/1981 Vennola D7/507
- D284,631 S * 7/1986 Inns D7/525
- D284,823 S * 7/1986 Inns D7/526
- D316,947 S * 5/1991 Wenzl D7/527

OTHER PUBLICATIONS

https://www.amazon.com/dp/B076MGY5FT/ref=psdc_13218541_t1_B0012KCTSS (Year: 2017).*

Primary Examiner — Jae Liang
(74) *Attorney, Agent, or Firm* — Cantor Colburn LLP

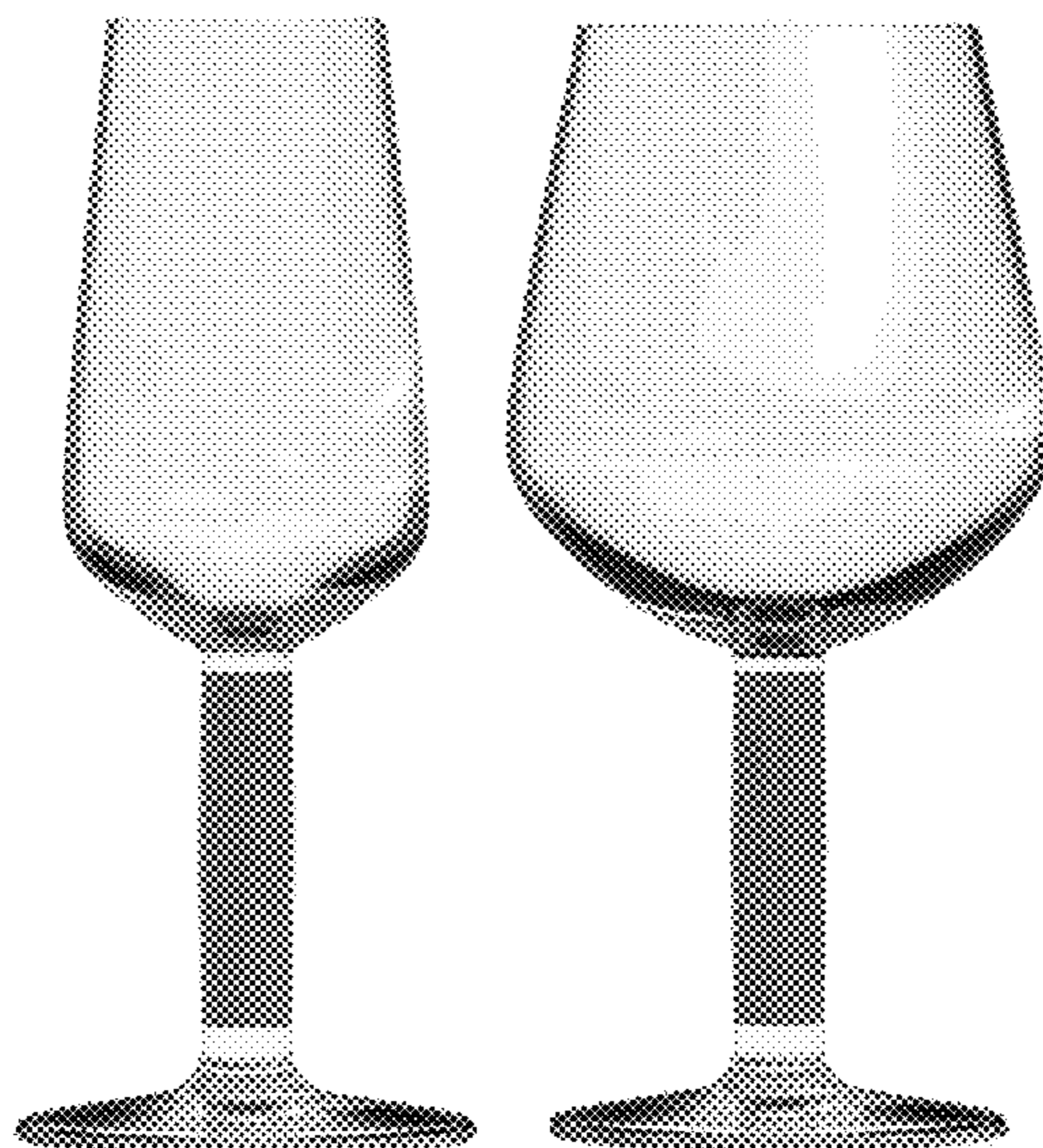
(57) **CLAIM**

I claim, the ornamental design for a stemware, as shown and described.

DESCRIPTION

FIG. 1 is a perspective view of a first embodiment of a stemware, showing my new design;
FIG. 2 is a side view thereof, all other sides being identical;
FIG. 3 is a top view thereof;
FIG. 4 is a bottom view thereof;
FIG. 5 is a side view thereof in a second embodiment of a stemware, all other side views being identical;
FIG. 6 is a perspective view of a third embodiment of a stemware;
FIG. 7 is a side view thereof, all other side views being identical;
FIG. 8 is a top view thereof;
FIG. 9 is a bottom view thereof; and,
FIG. 10 is a side view of a fourth embodiment of a stemware, all other side views being identical.

1 Claim, 10 Drawing Sheets



(56)

References Cited

U.S. PATENT DOCUMENTS

D506,355	S *	6/2005	Donnellan	D7/524
D515,359	S *	2/2006	Andrews	D7/523
D531,453	S *	11/2006	McMullin	D7/525
D563,724	S *	3/2008	Bodum	D7/509
D609,529	S *	2/2010	Tamale	D7/525
D679,945	S *	4/2013	Romley	D7/524
D752,923	S *	4/2016	Lee	A45F 3/20 D7/528
D754,401	S *	4/2016	Seiler	D28/73
D790,280	S *	6/2017	Hendifar	D7/524
D812,431	S *	3/2018	Carvin	D7/528
D834,375	S *	11/2018	Garipalli	A47G 19/2205 D7/528
D861,321	S *	10/2019	Petre	D3/202
2008/0298050	A1 *	12/2008	Elnore	A47G 19/2227 362/154
2014/0054304	A1 *	2/2014	Hu	A47G 19/2255 220/630
2017/0112307	A1 *	4/2017	Sabater	A47G 19/2227

* cited by examiner

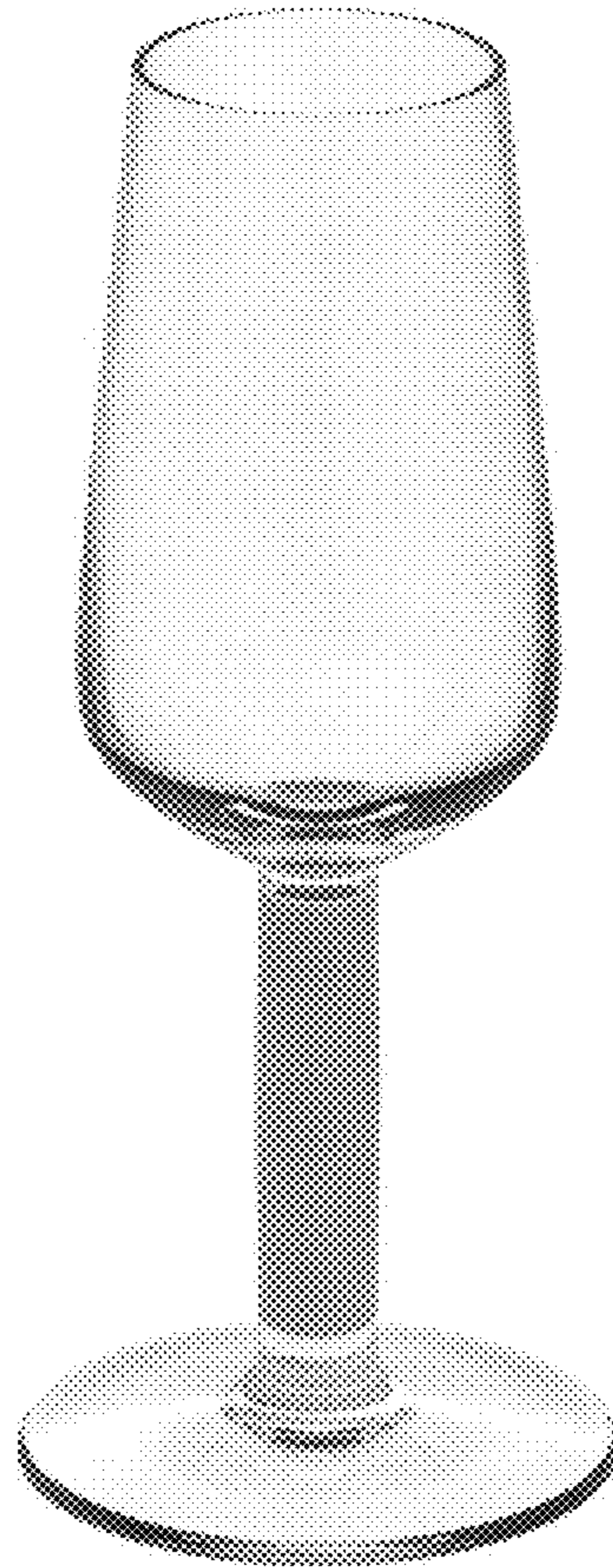


FIG. 1

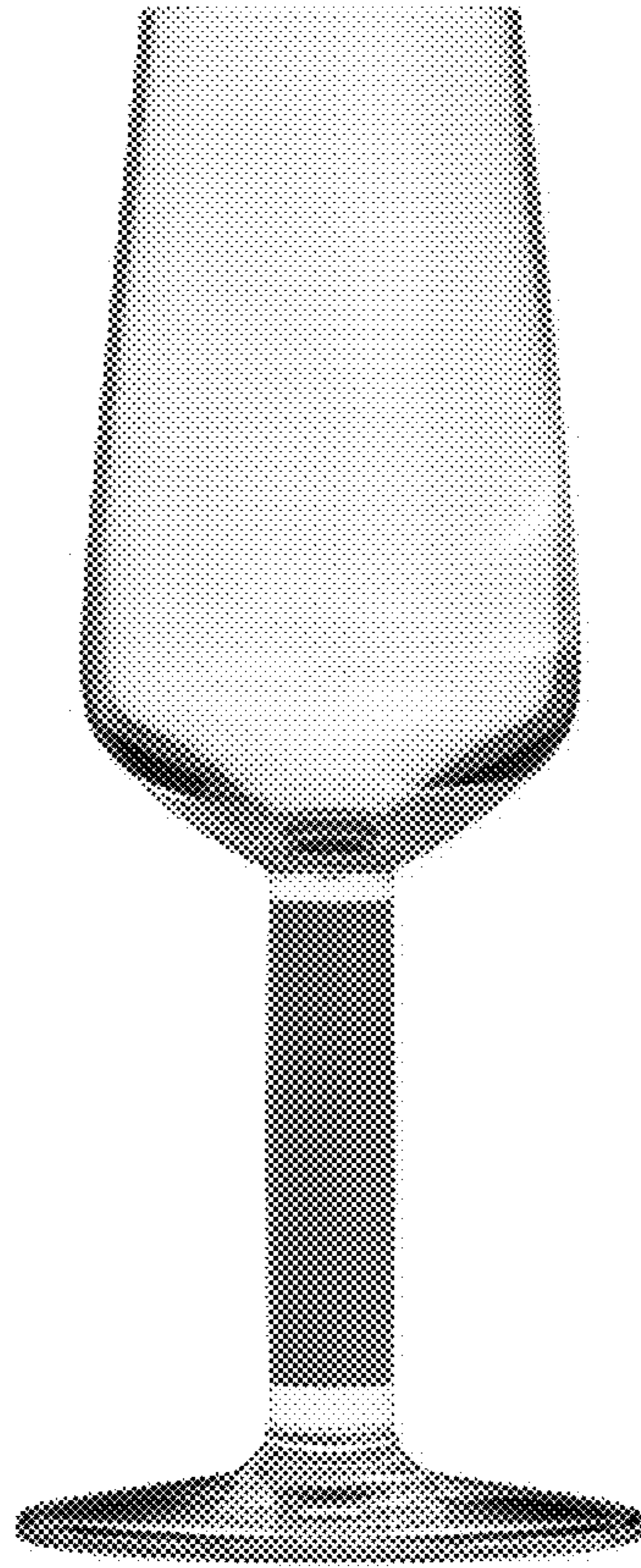


FIG. 2

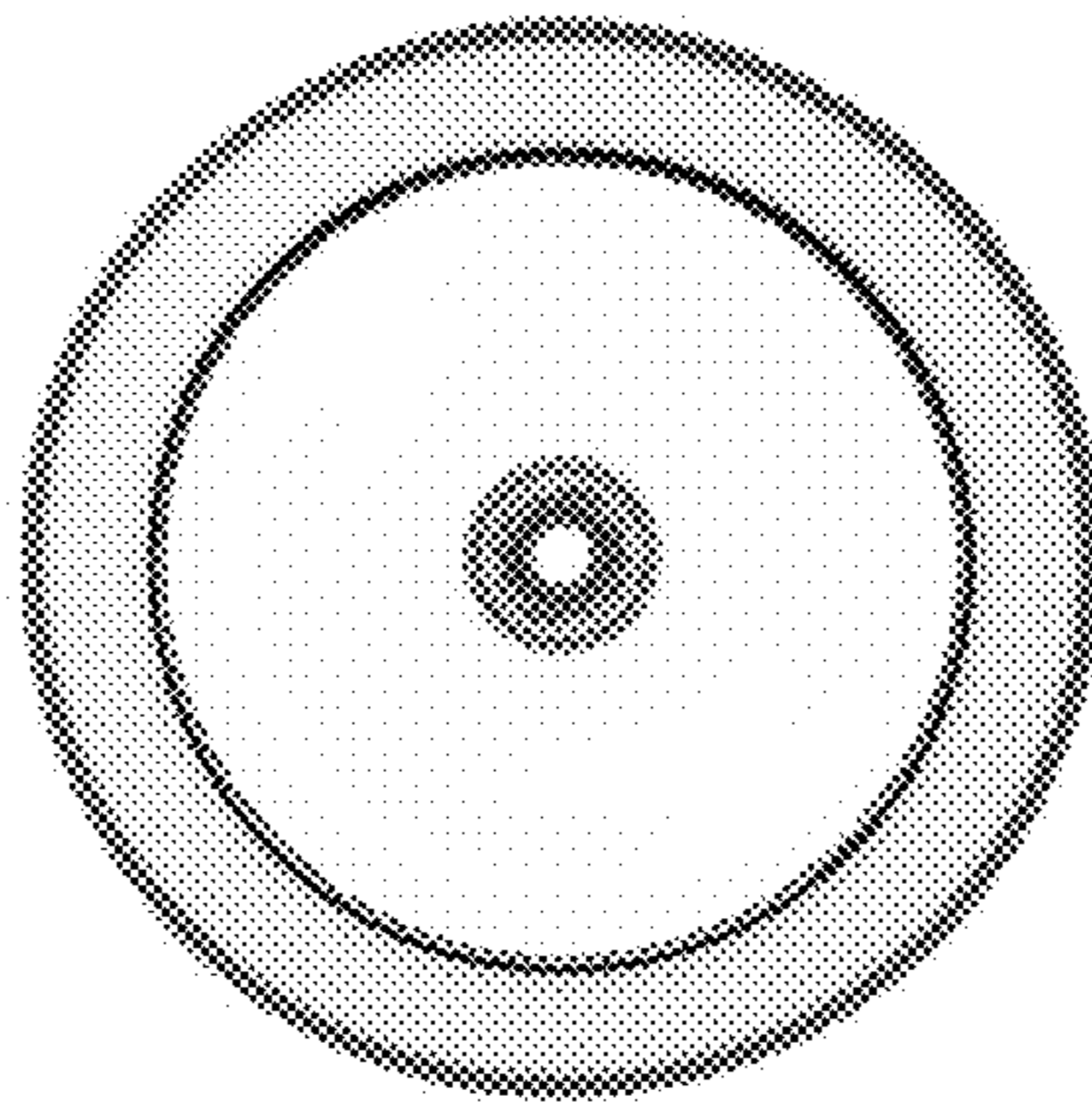


FIG. 3

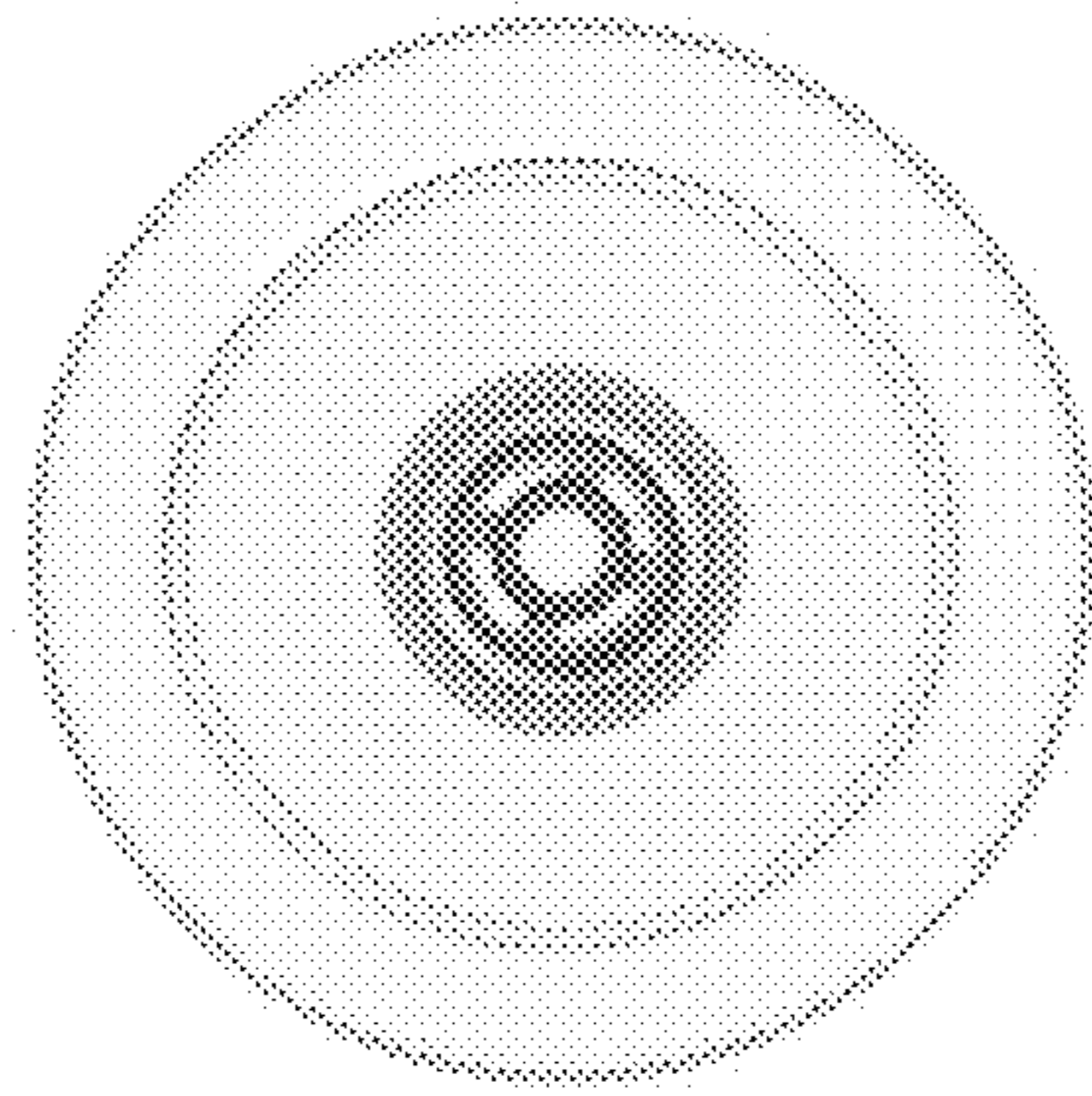


FIG. 4

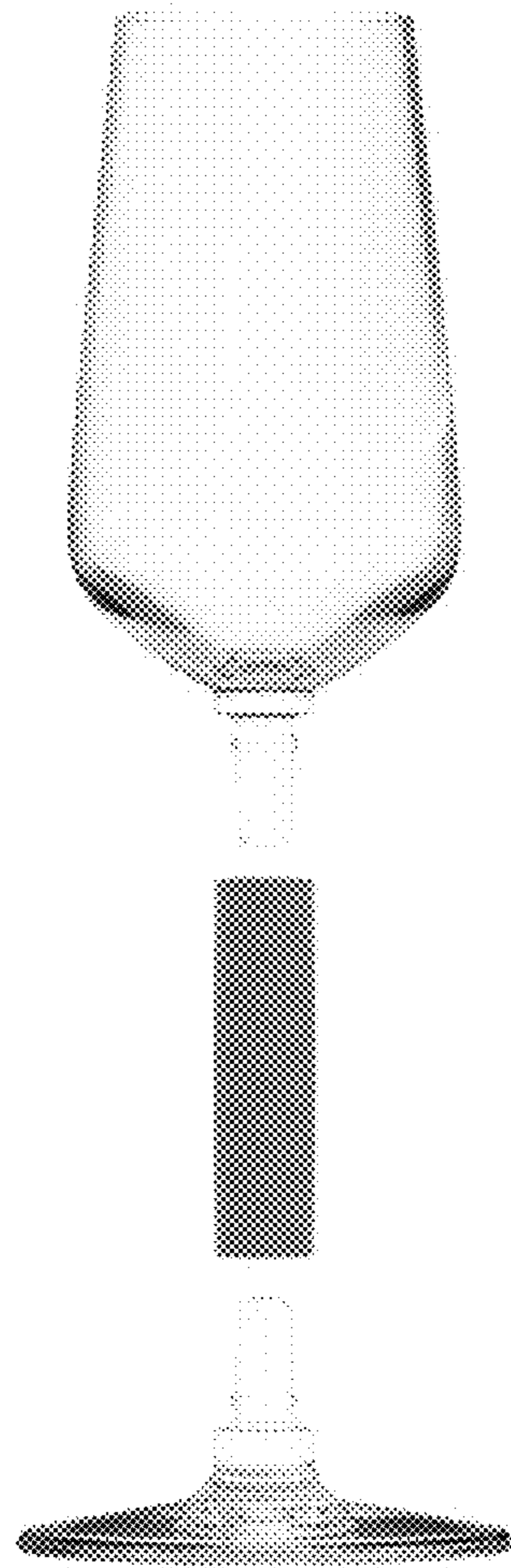


FIG. 5



FIG. 6



FIG. 7

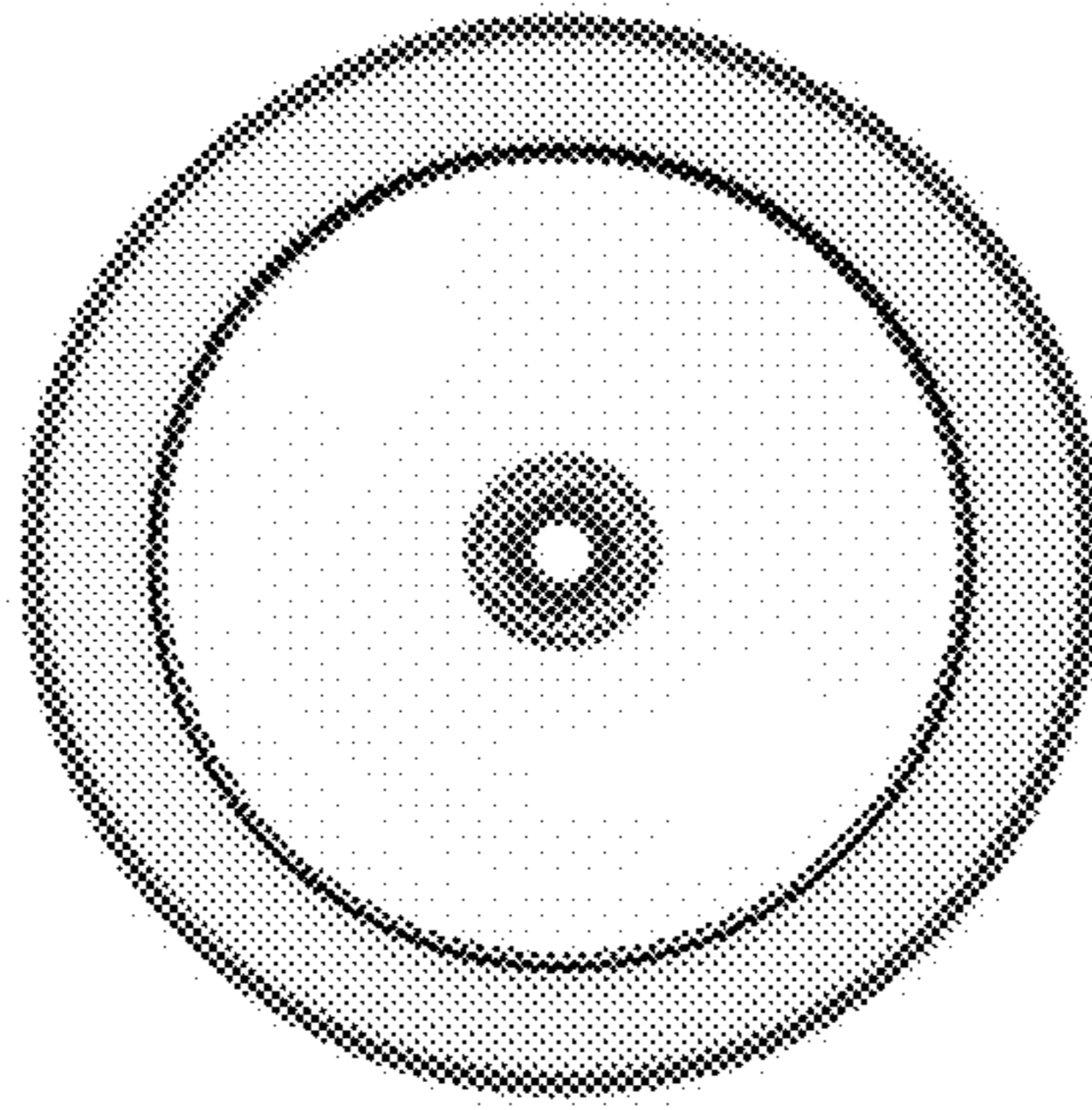


FIG. 8

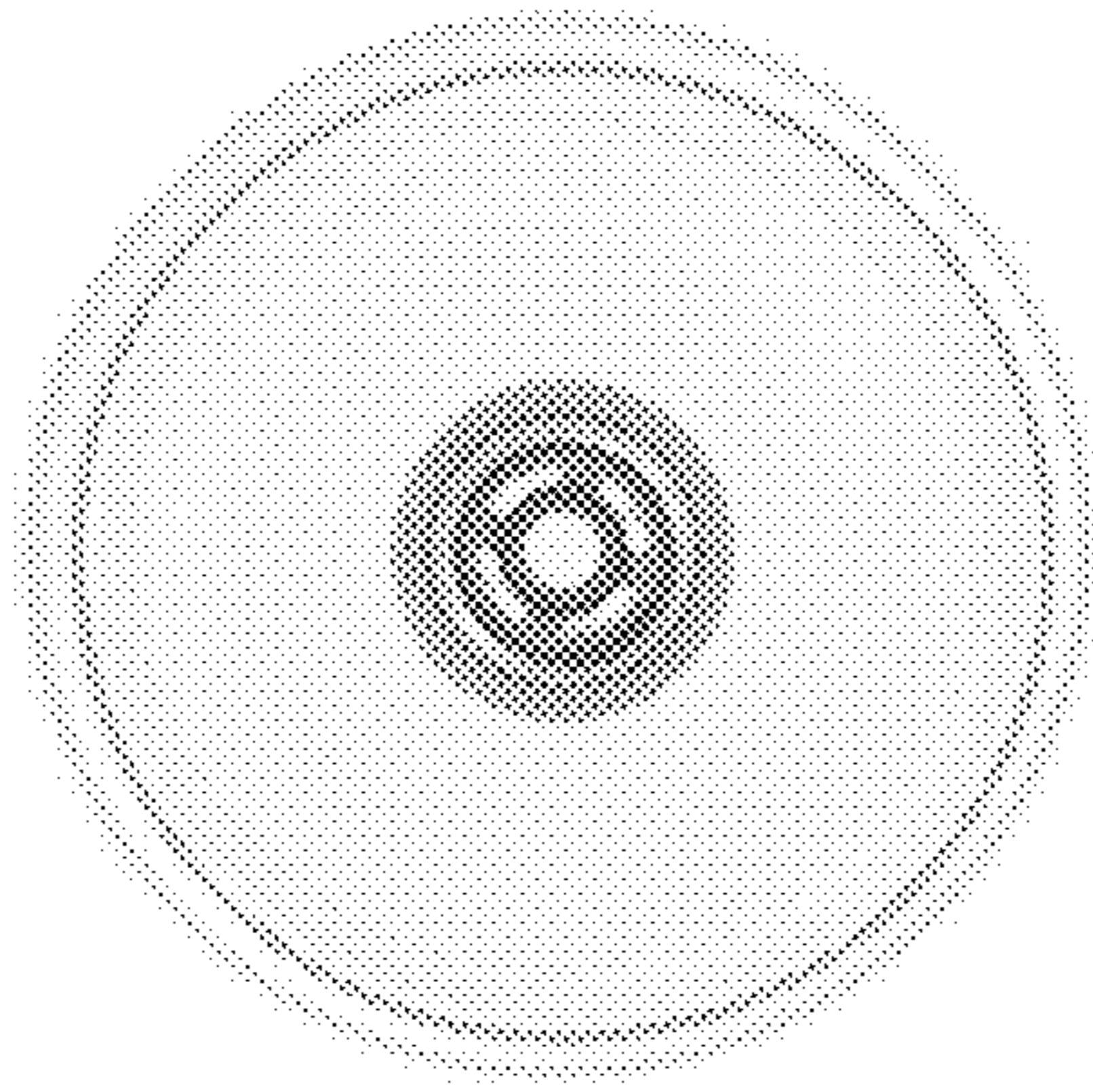


FIG. 9

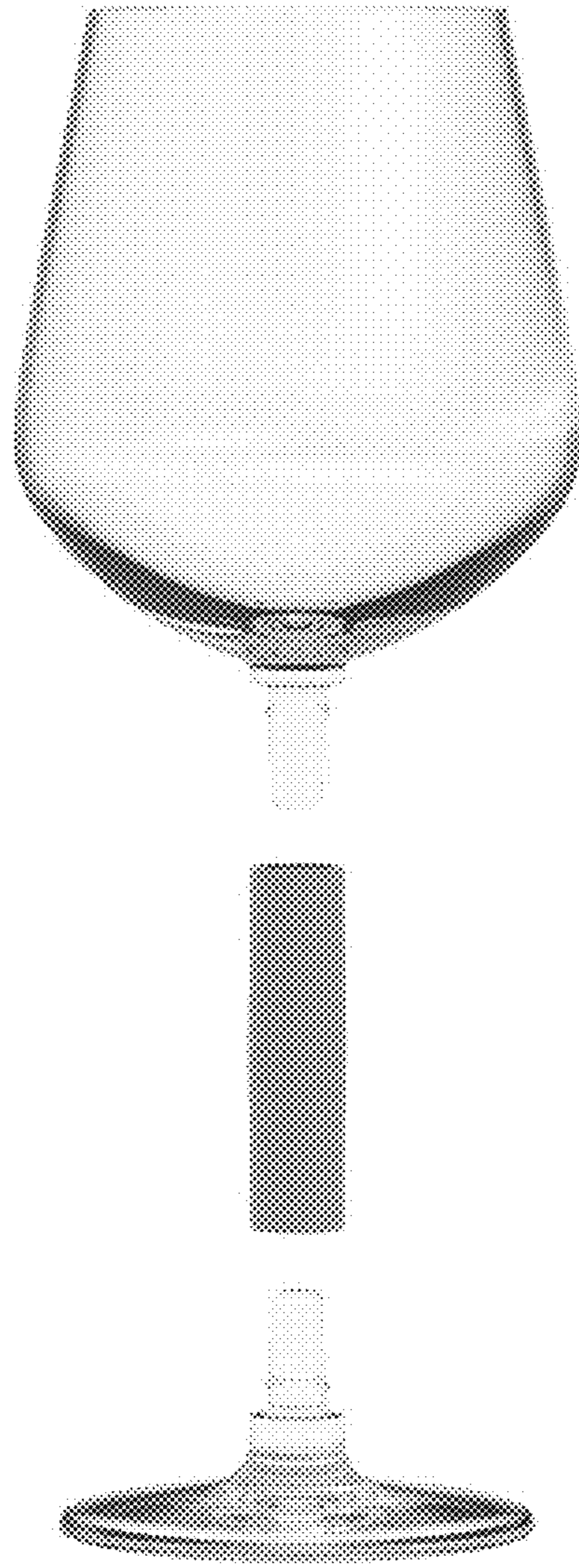


FIG. 10