



US00D896587S

(12) **United States Design Patent** (10) **Patent No.:** **US D896,587 S**  
**Hobbs** (45) **Date of Patent:** **\*\* Sep. 22, 2020**

(54) **DRINKING GLASS**

(71) Applicant: **ASAHI INTERNATIONAL LTD.,**  
Woking, Surrey (GB)

(72) Inventor: **Stewart Hobbs**, London (GB)

(73) Assignee: **ASAHI INTERNATIONAL LTD.,**  
Woking, Surrey (GB)

(\*\*) Term: **15 Years**

(21) Appl. No.: **35/506,922**

(22) Filed: **Dec. 7, 2018**

(80) **Hague Agreement Data**

Int. Filing Date: **Dec. 7, 2018**  
Int. Reg. No.: **DM/200761**  
Int. Reg. Date: **Dec. 7, 2018**  
Int. Reg. Pub. Date: **Jun. 14, 2019**

(51) **LOC (12) Cl.** ..... **07-01**

(52) **U.S. Cl.**  
USPC ..... **D7/523**

(58) **Field of Classification Search**  
USPC ..... D7/509, 523, 524  
CPC .... B65D 43/16; B65D 43/162; B65D 43/164;  
B65D 75/22; B65D 2581/34  
See application file for complete search history.

(56) **References Cited**

**U.S. PATENT DOCUMENTS**

D98,420 S \* 2/1936 Deskey ..... D7/523  
D506,642 S \* 6/2005 Dirstein ..... D7/509  
D508,372 S \* 8/2005 Martinez-Lopez ..... D7/509  
D553,438 S \* 10/2007 Boehm ..... D7/523  
D568,103 S \* 5/2008 Bodum ..... D7/509  
D568,104 S \* 5/2008 Bhavnani ..... D7/509  
D579,723 S \* 11/2008 Williams ..... D7/511  
D599,619 S \* 9/2009 Bodum ..... D7/509  
D608,591 S \* 1/2010 Hillebrenner ..... D7/509  
D609,053 S \* 2/2010 Dingenouts ..... D7/509

(Continued)

**OTHER PUBLICATIONS**

www.morningadvertiser.co.uk. Aug. 3, 2018; 3 pages. Found online  
Mar. 9, 2020 at: <https://www.morningadvertiser.co.uk/Article/2018/08/03/Peroni-new-bottle-and-glass-design> (Year: 2018).\*

*Primary Examiner* — Robert M. Spear

(74) *Attorney, Agent, or Firm* — Hogan Lovells US LLP

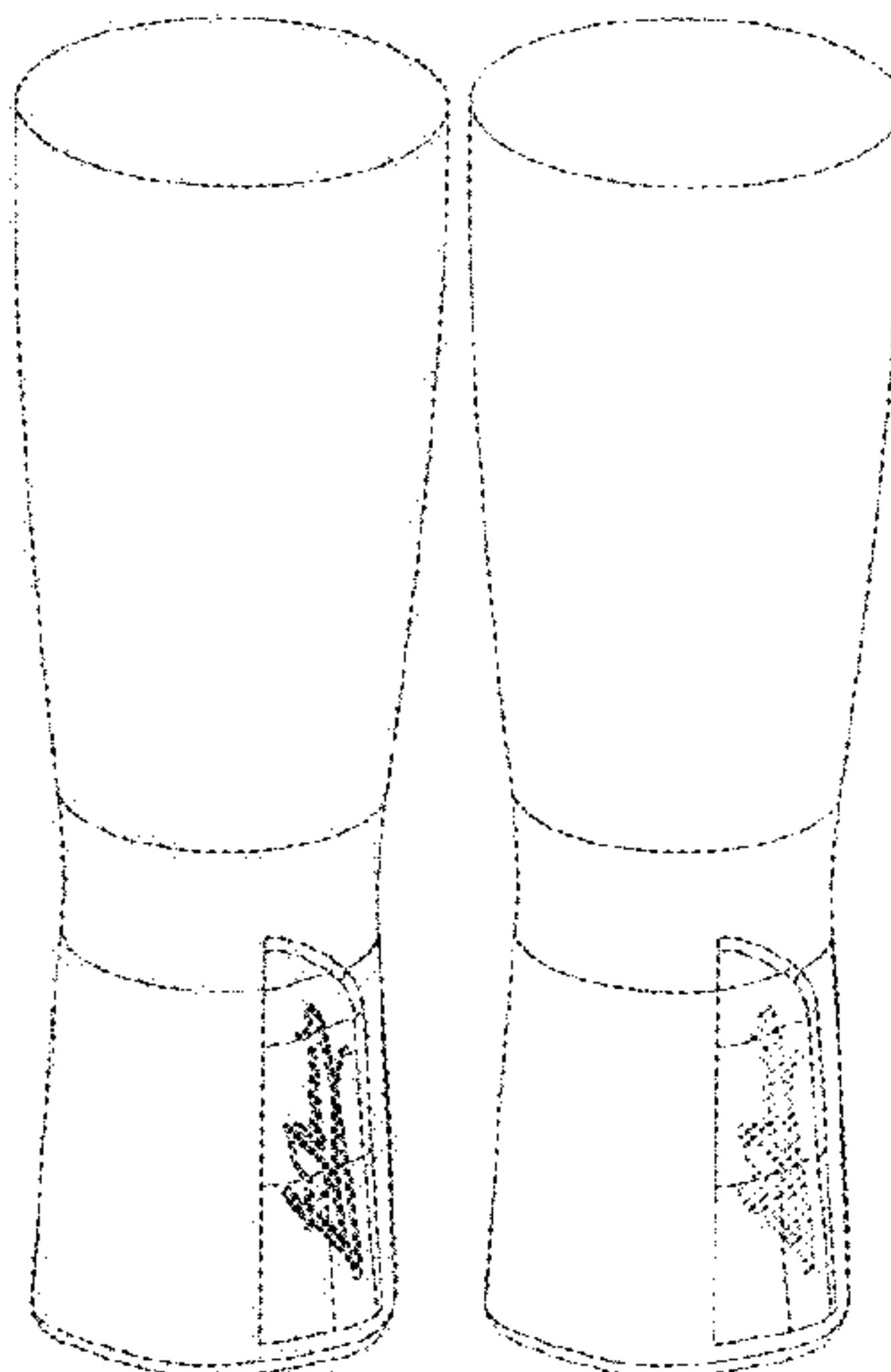
(57) **CLAIM**

The ornamental design for a drinking glass, as shown and described.

**DESCRIPTION**

1.-2. Drinking glass  
1.1—Front elevational view;  
1.2—Rear elevational view;  
1.3—Right side elevational view;  
1.4—Left side elevational view;  
1.5—Top plan view;  
1.6—Bottom plan view;  
1.7—Top left front perspective view;  
1.8—Bottom left front perspective view;  
1.9—Top rear perspective view;  
1.10—Top front perspective view;  
2.1—Front elevational view of second embodiment;  
2.2—Rear elevational view of second embodiment;  
2.3—Right side elevational view of second embodiment;  
2.4—Left side elevational view of second embodiment;  
2.5—Top plan view of second embodiment;  
2.6—Bottom plan view of second embodiment;  
2.7—Top left front perspective view of second embodiment;  
2.8—Bottom left front perspective view of second embodiment;  
2.9—Top rear perspective view of second embodiment; and  
2.10—Top front perspective view of second embodiment.  
The broken lines appearing in the second embodiment depict environment and form no part of the claim.

**1 Claim, 20 Drawing Sheets**



(56)

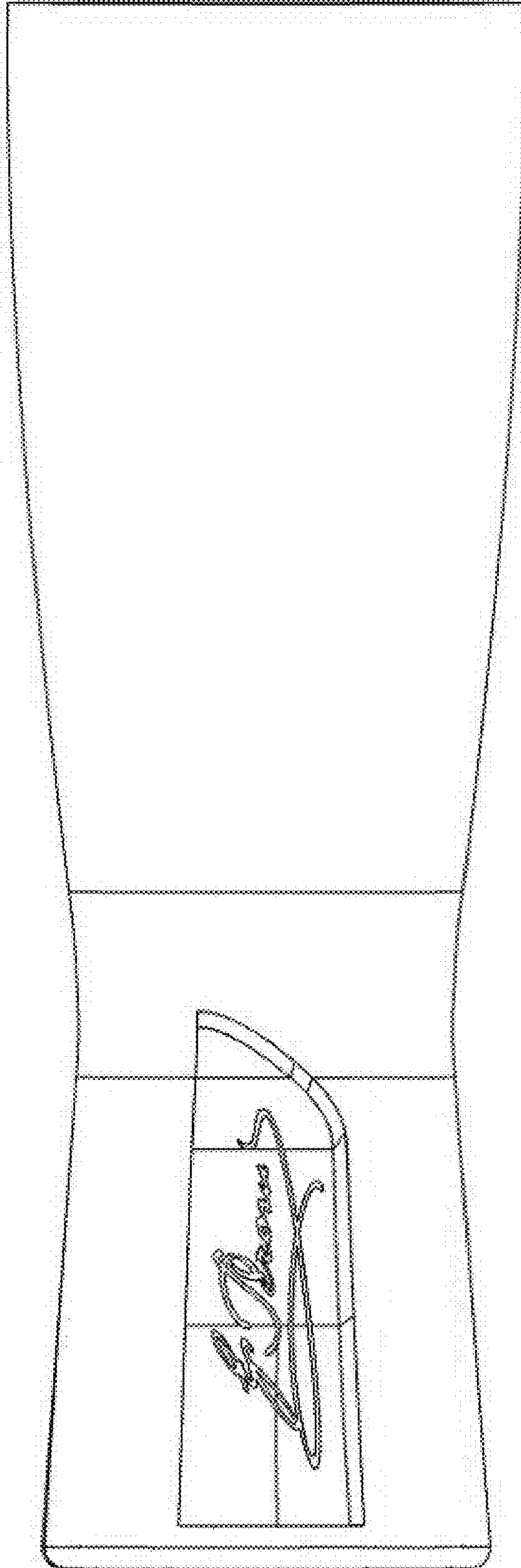
**References Cited**

U.S. PATENT DOCUMENTS

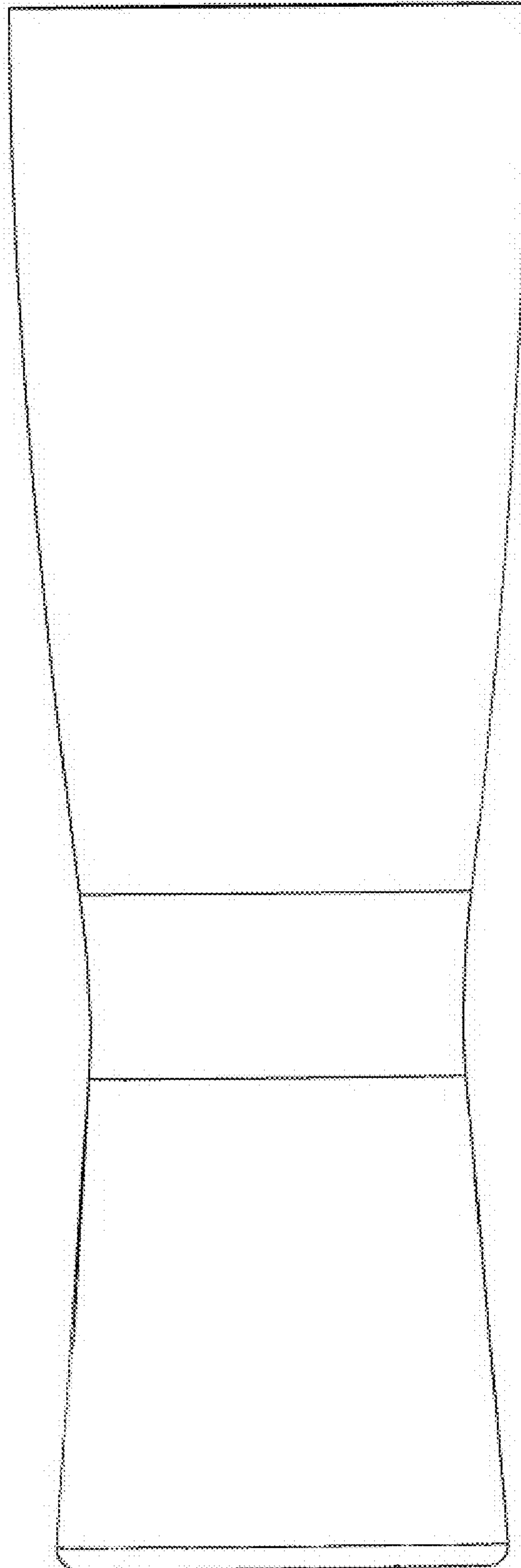
D622,105 S \* 8/2010 Koennecke ..... D7/509  
D622,548 S \* 8/2010 Jensen ..... D7/509  
D639,113 S \* 6/2011 Hayes ..... D7/509  
D660,724 S \* 5/2012 Myers ..... D9/777  
D662,419 S \* 6/2012 Potts ..... D7/509  
D675,110 S \* 1/2013 Myers ..... B65D 1/26  
D9/776  
D695,075 S \* 12/2013 Riedel ..... D7/523  
8,881,936 B2 \* 11/2014 Crosby ..... B65D 1/26  
220/669  
D726,503 S \* 4/2015 Campbell ..... D7/523  
D740,072 S \* 10/2015 Eyal ..... D7/509  
D740,610 S \* 10/2015 Eyal ..... D7/509  
D757,498 S \* 5/2016 Beller ..... D7/524  
D766,040 S \* 9/2016 Kehrein ..... D7/509  
D801,119 S \* 10/2017 Petre ..... D7/523  
D818,773 S \* 5/2018 Fairchild, Jr. .... D7/509  
D821,144 S \* 6/2018 Fairchild, Jr. .... D7/509  
D830,126 S \* 10/2018 Rohe ..... D7/510

\* cited by examiner

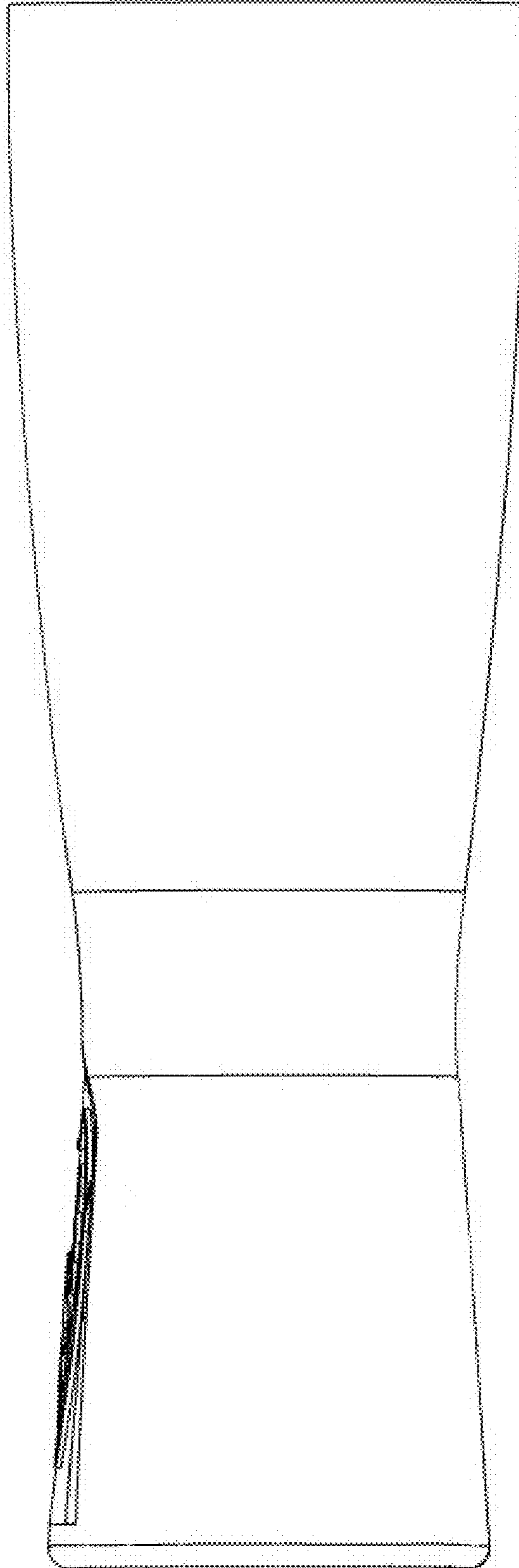
# 1.1



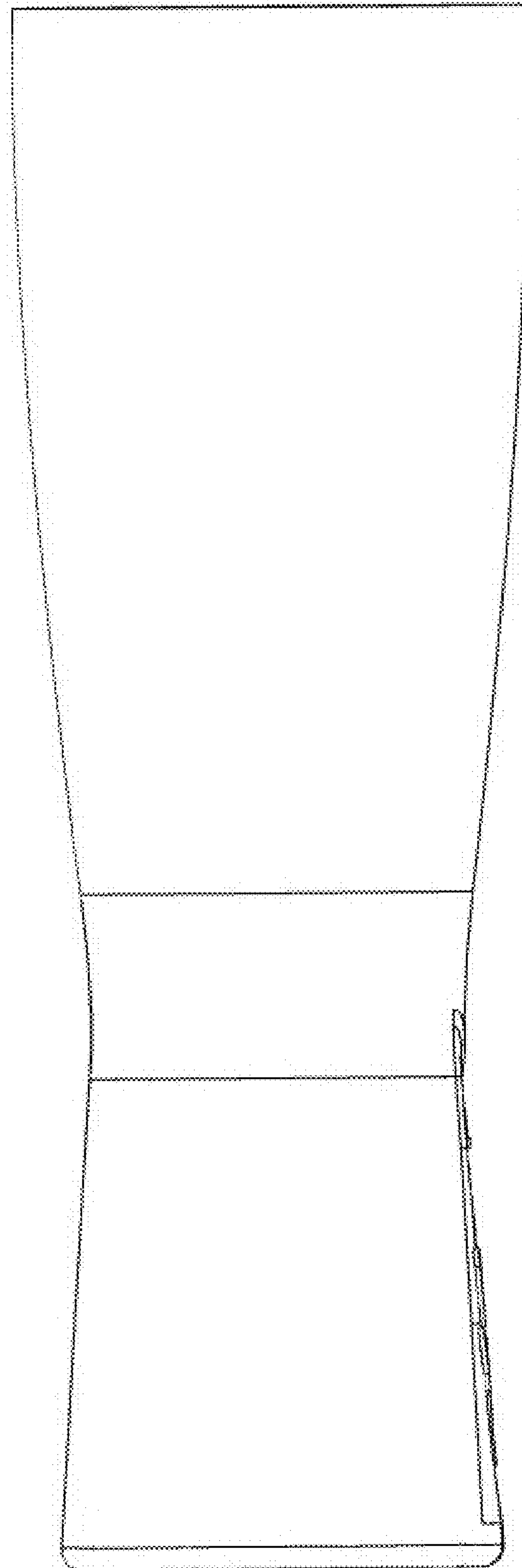
# 1.2



# 1.3

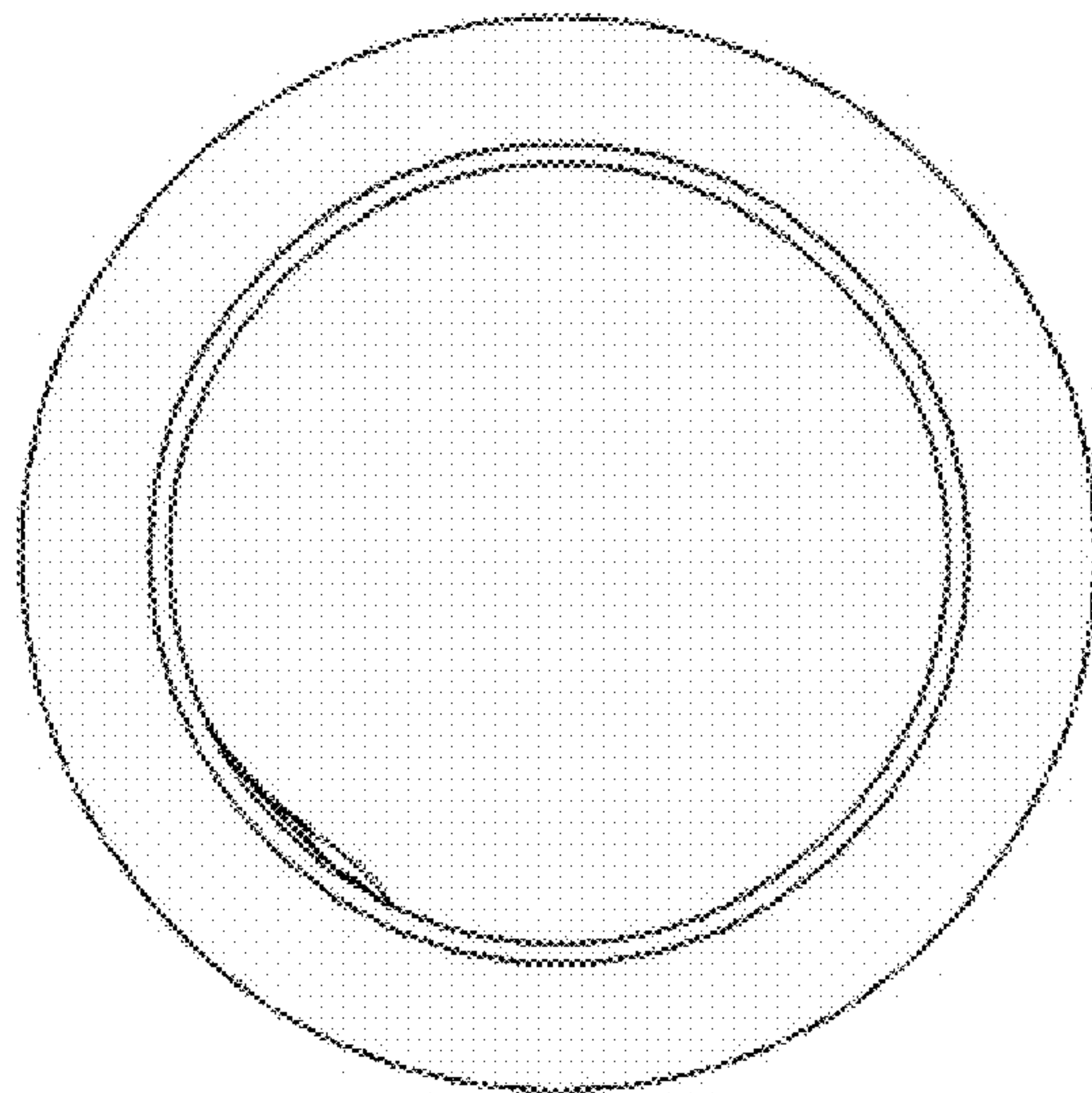


# 1.4

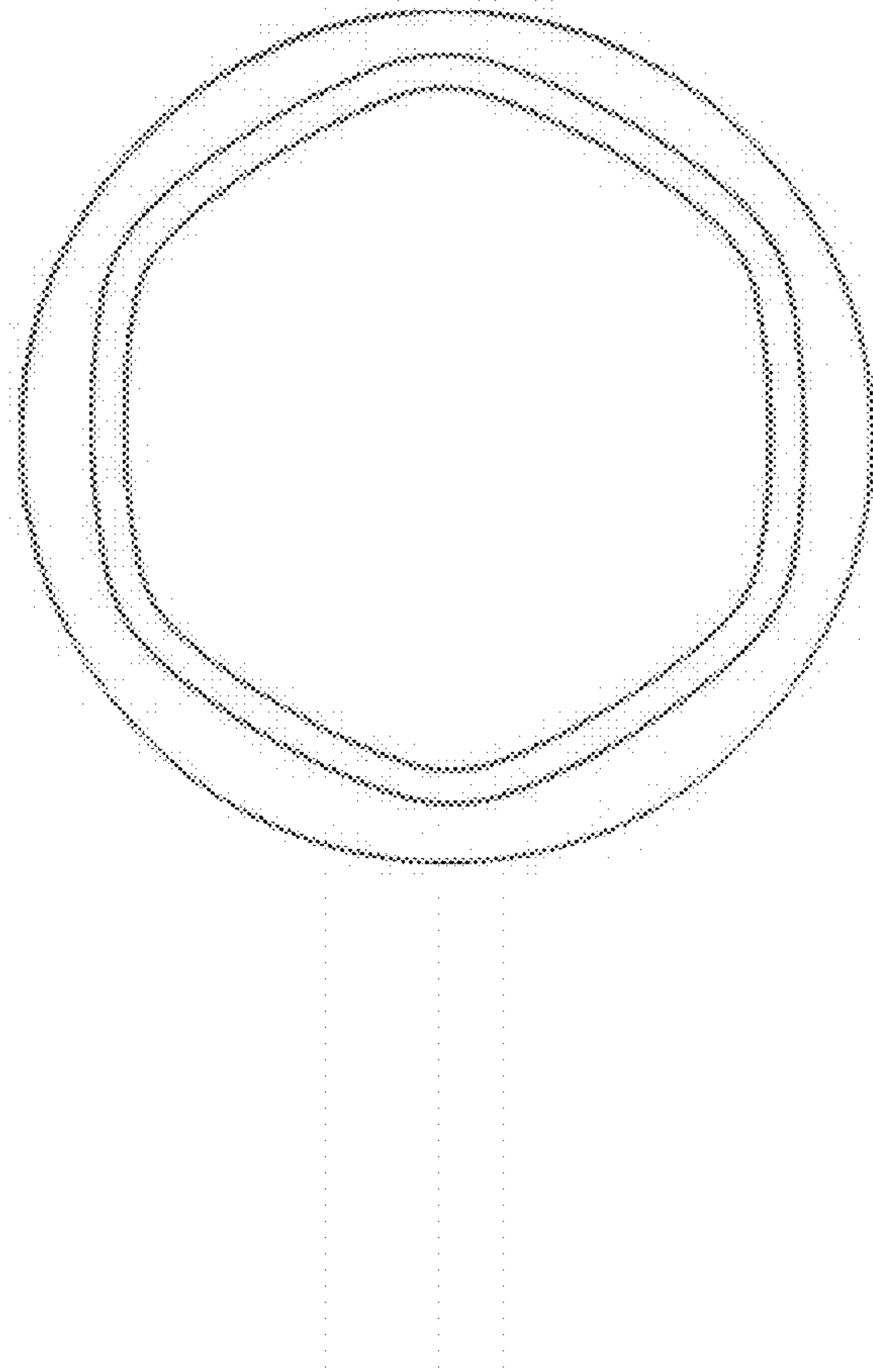




1.5

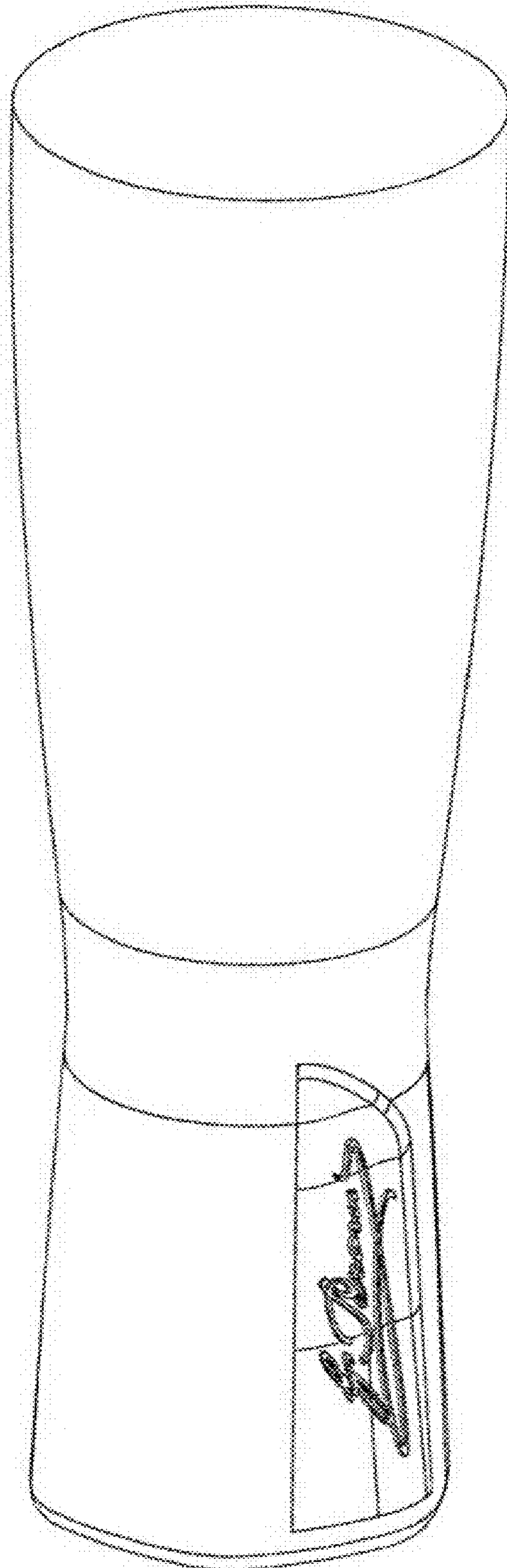


**1.6**

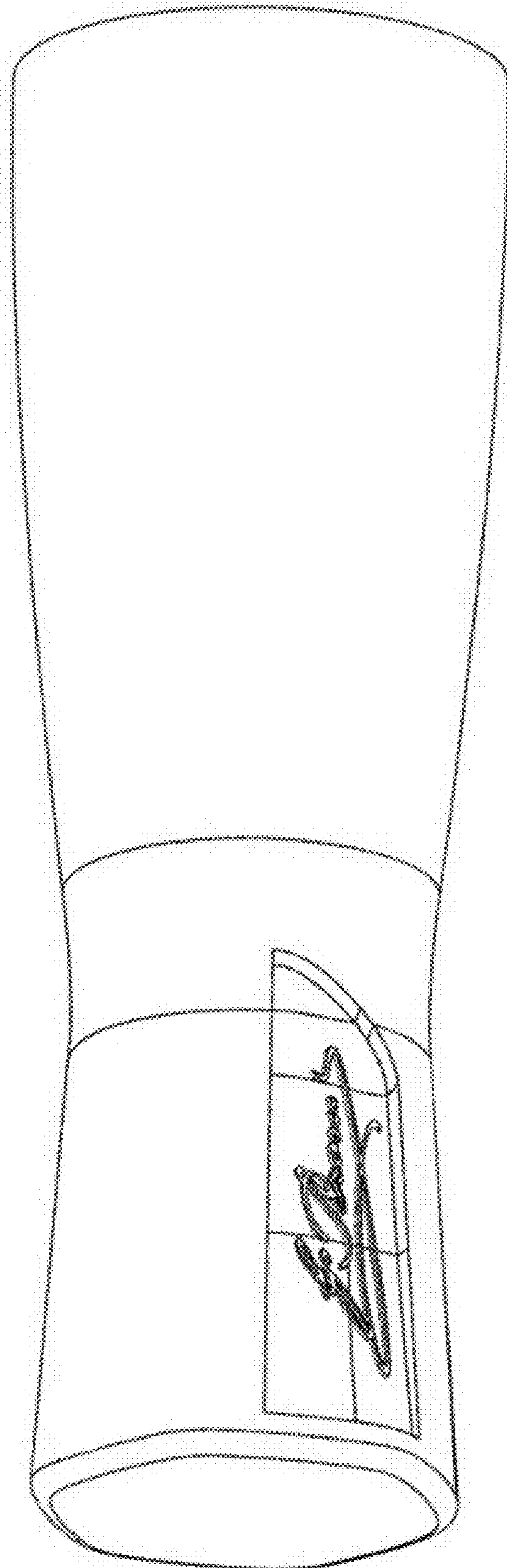




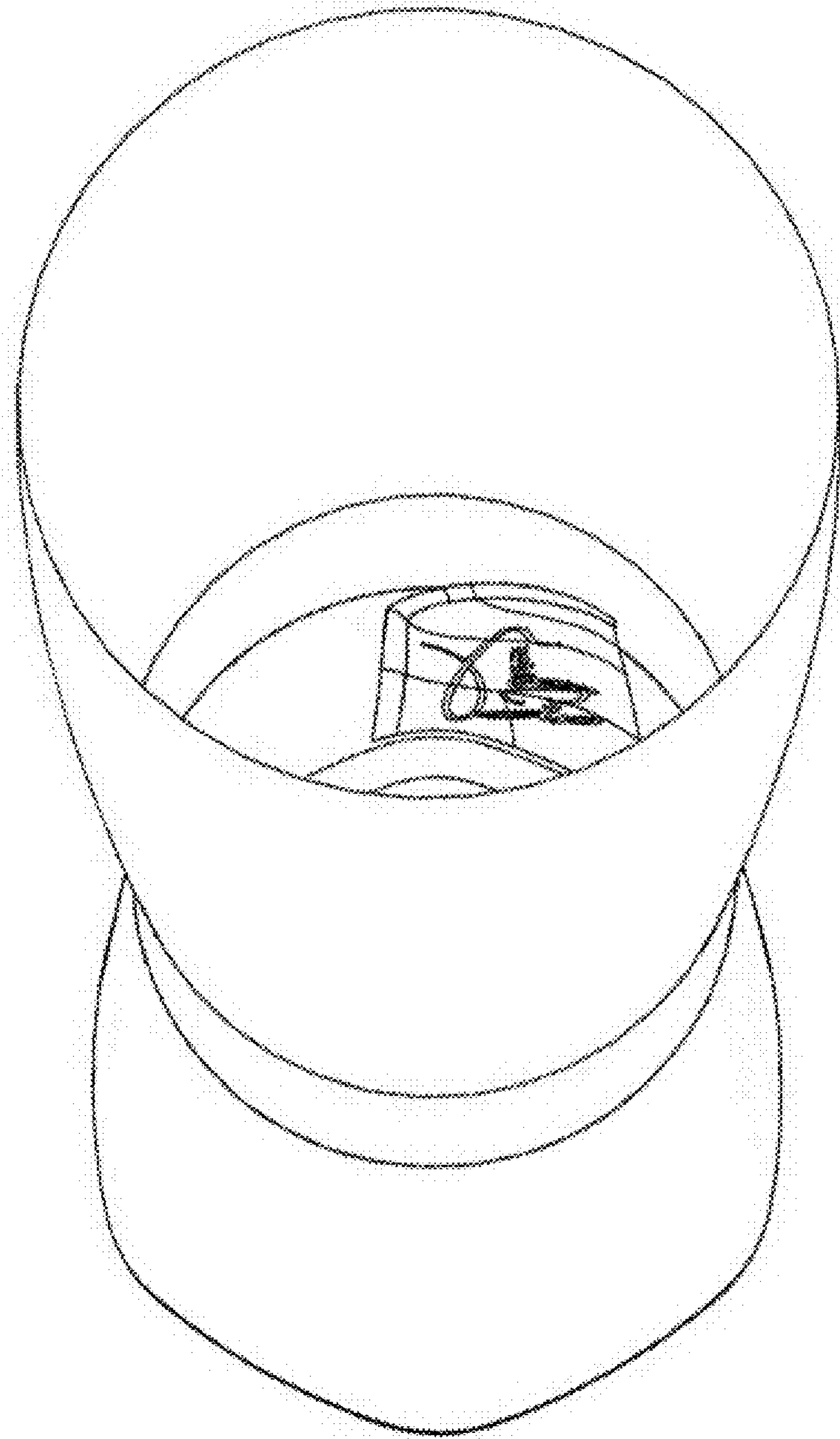
1.7



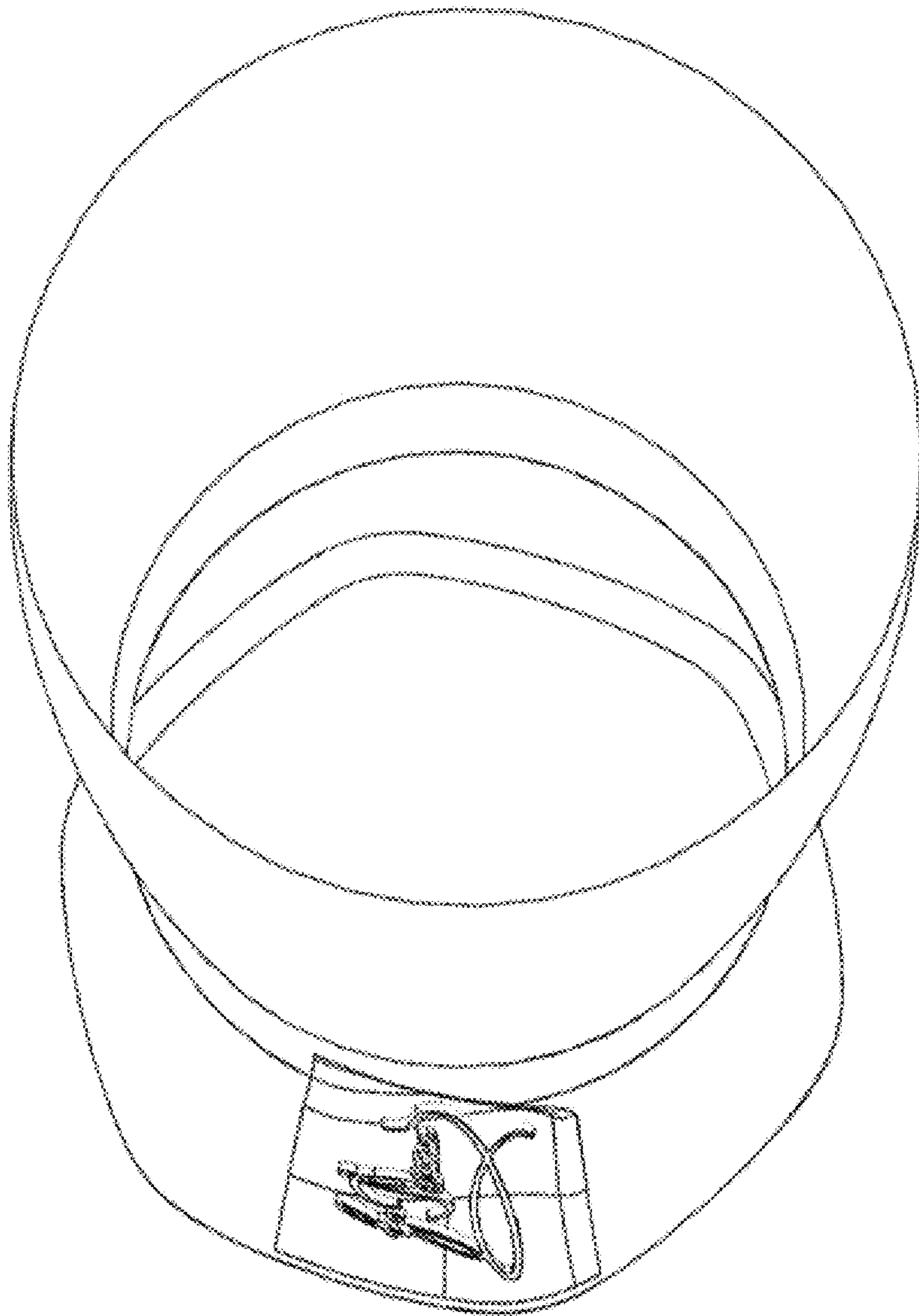
1.8



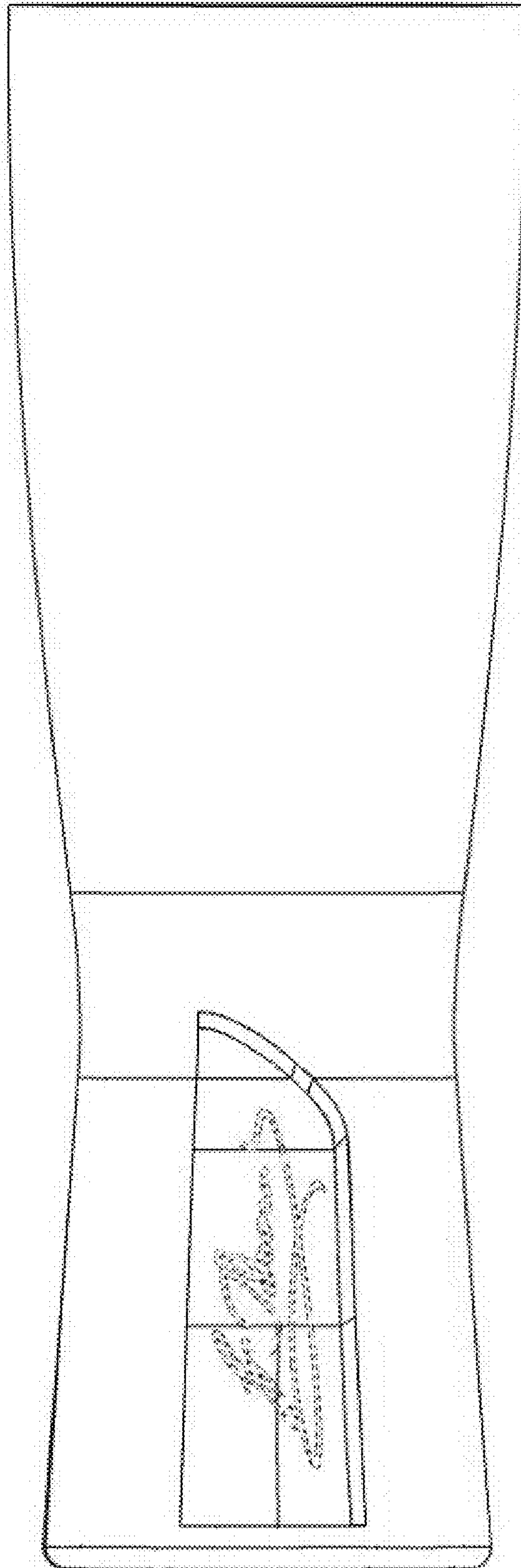
# 1.9



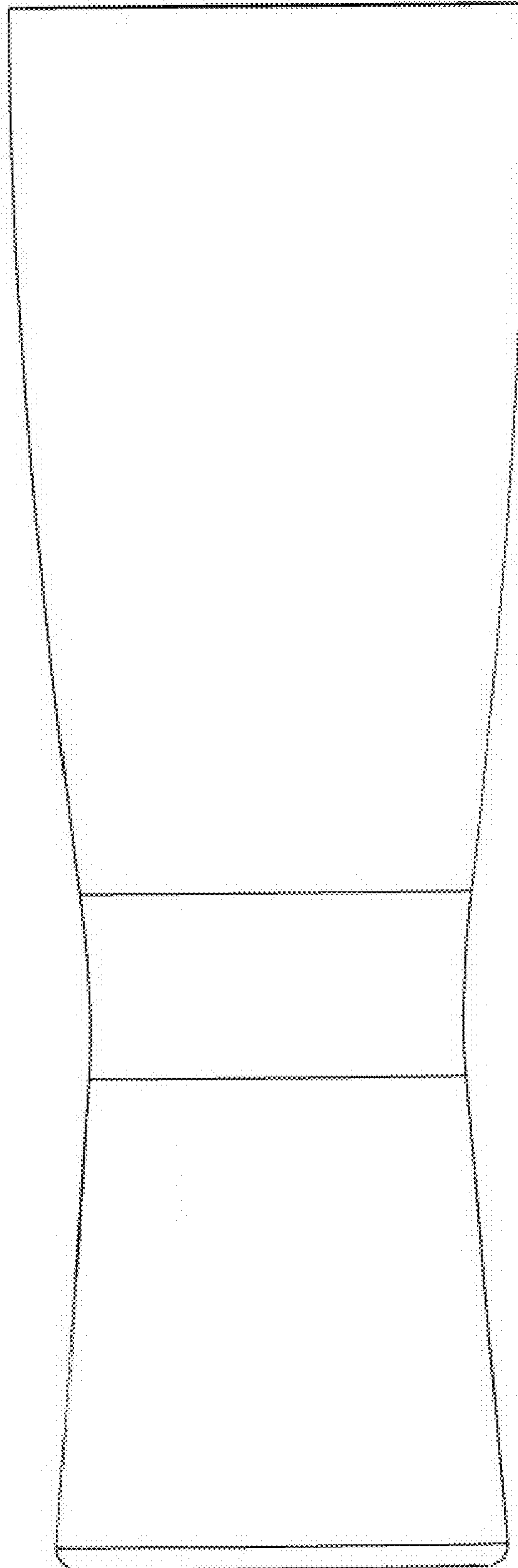
# 1.10



# 2.1

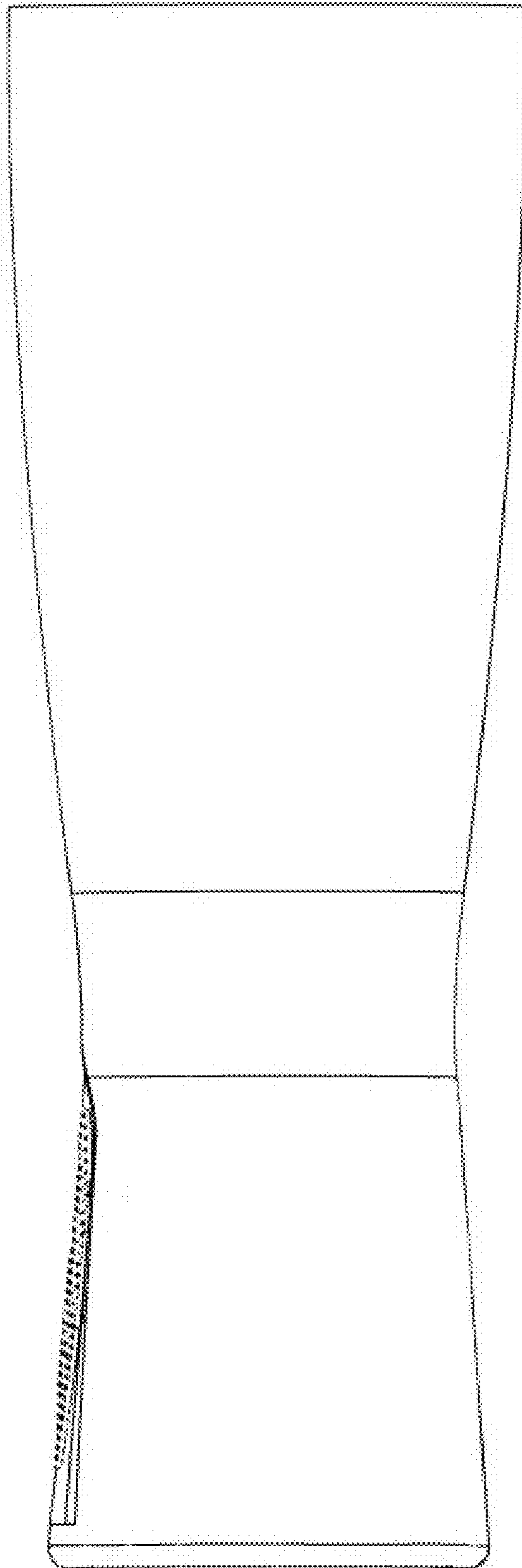


# 2.2



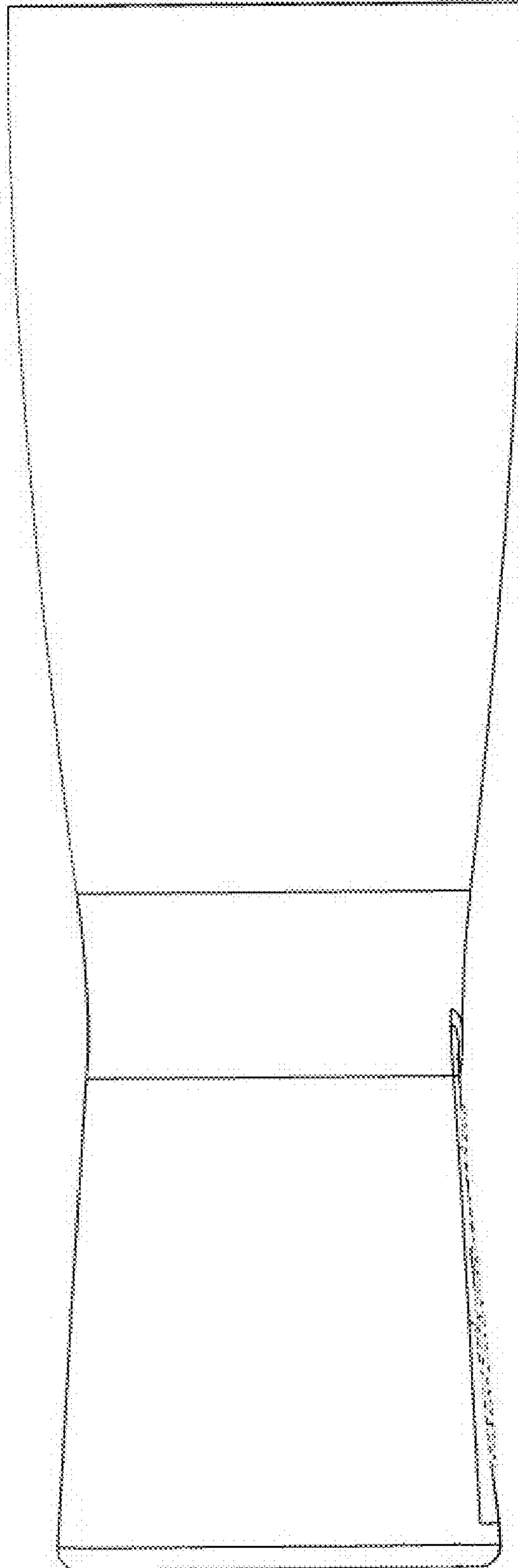


# 2.3

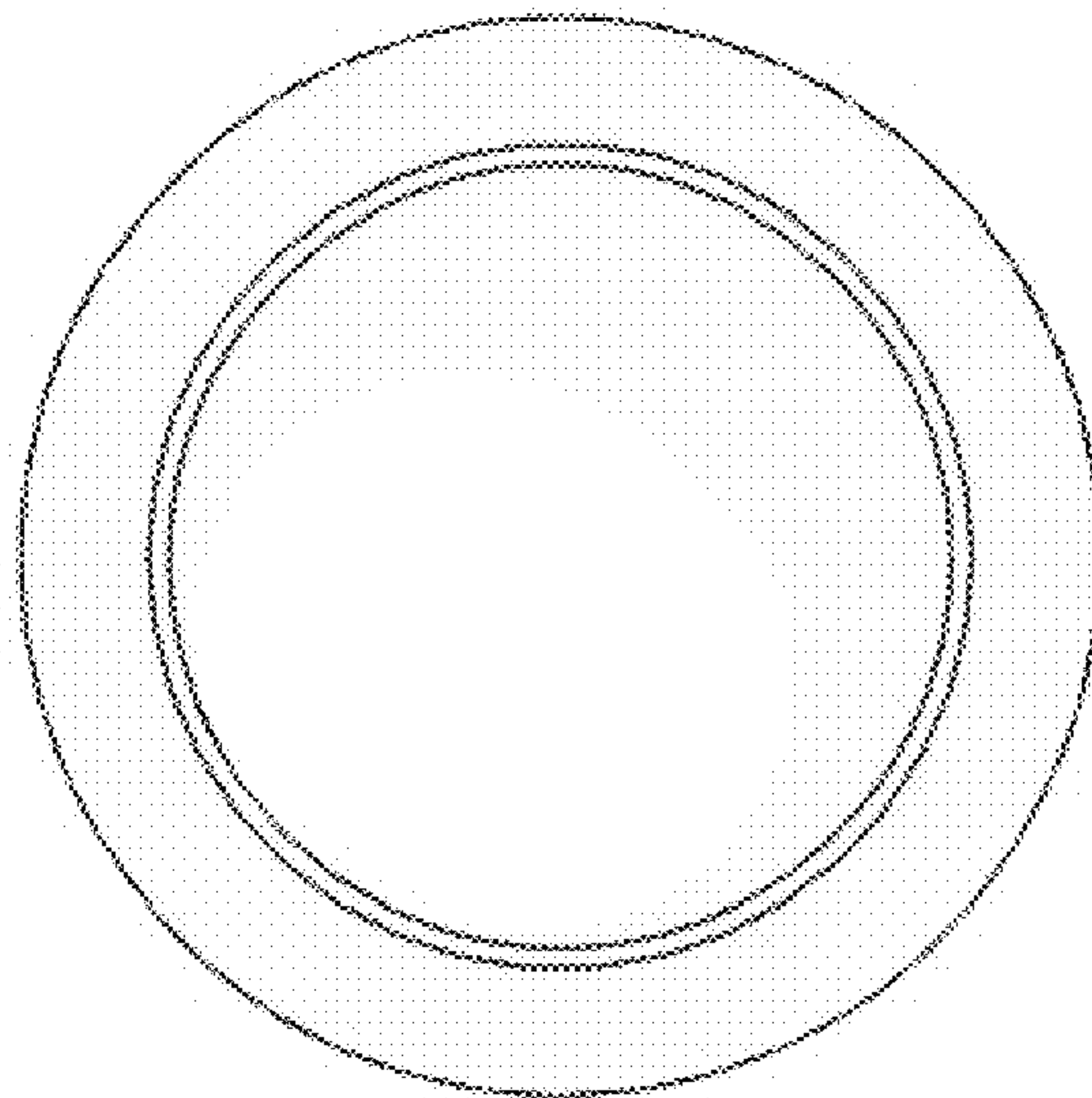




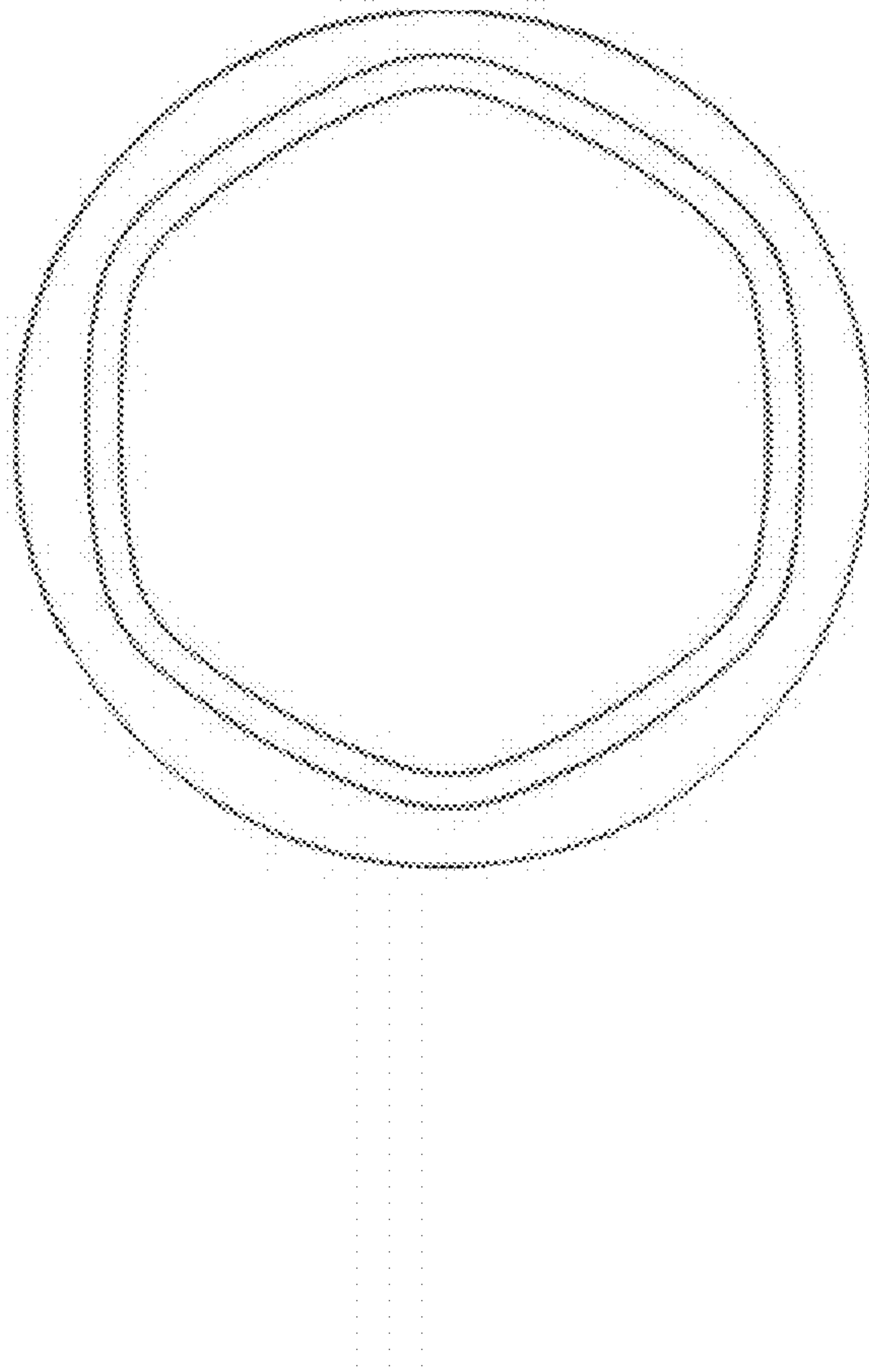
# 2.4



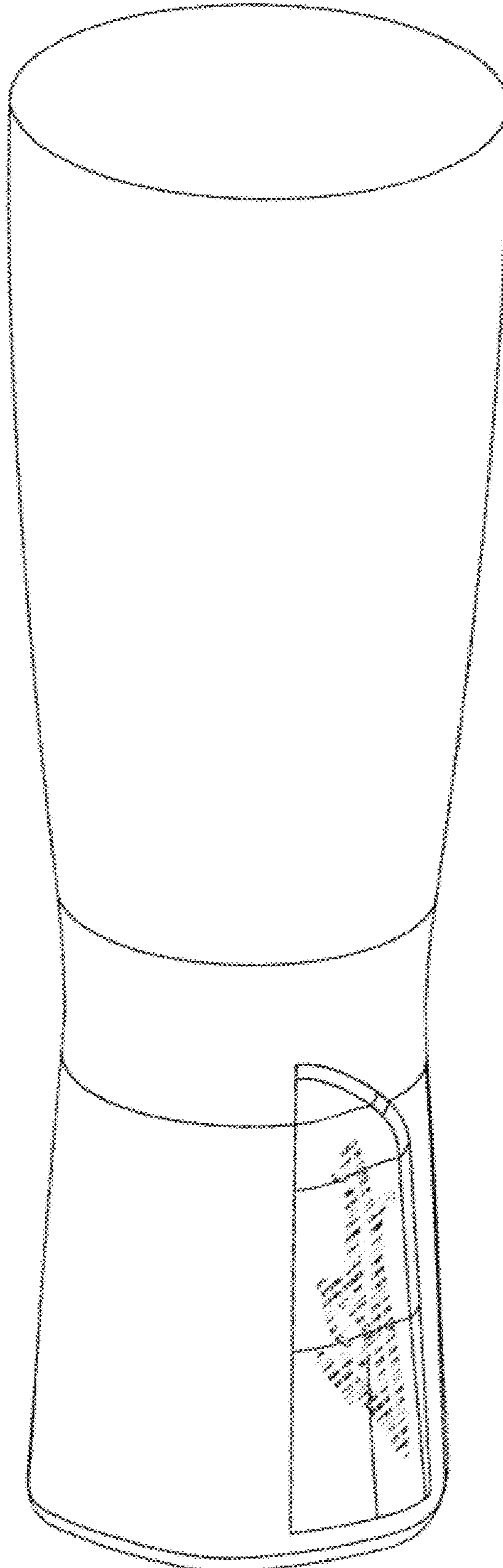
2.5



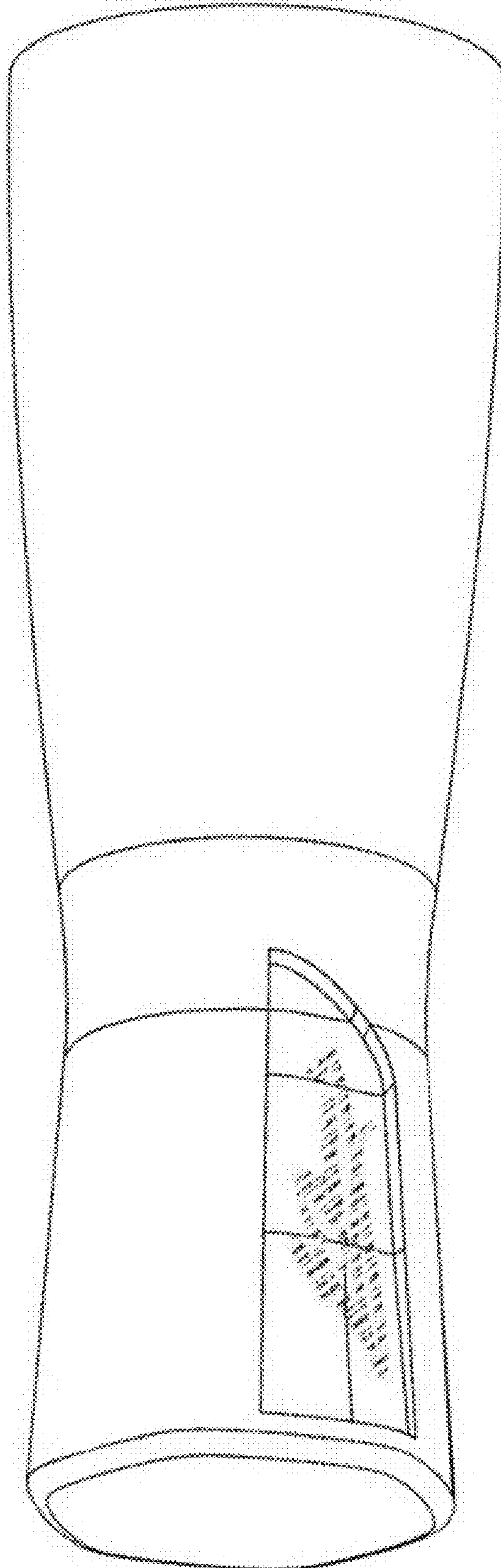
**2.6**



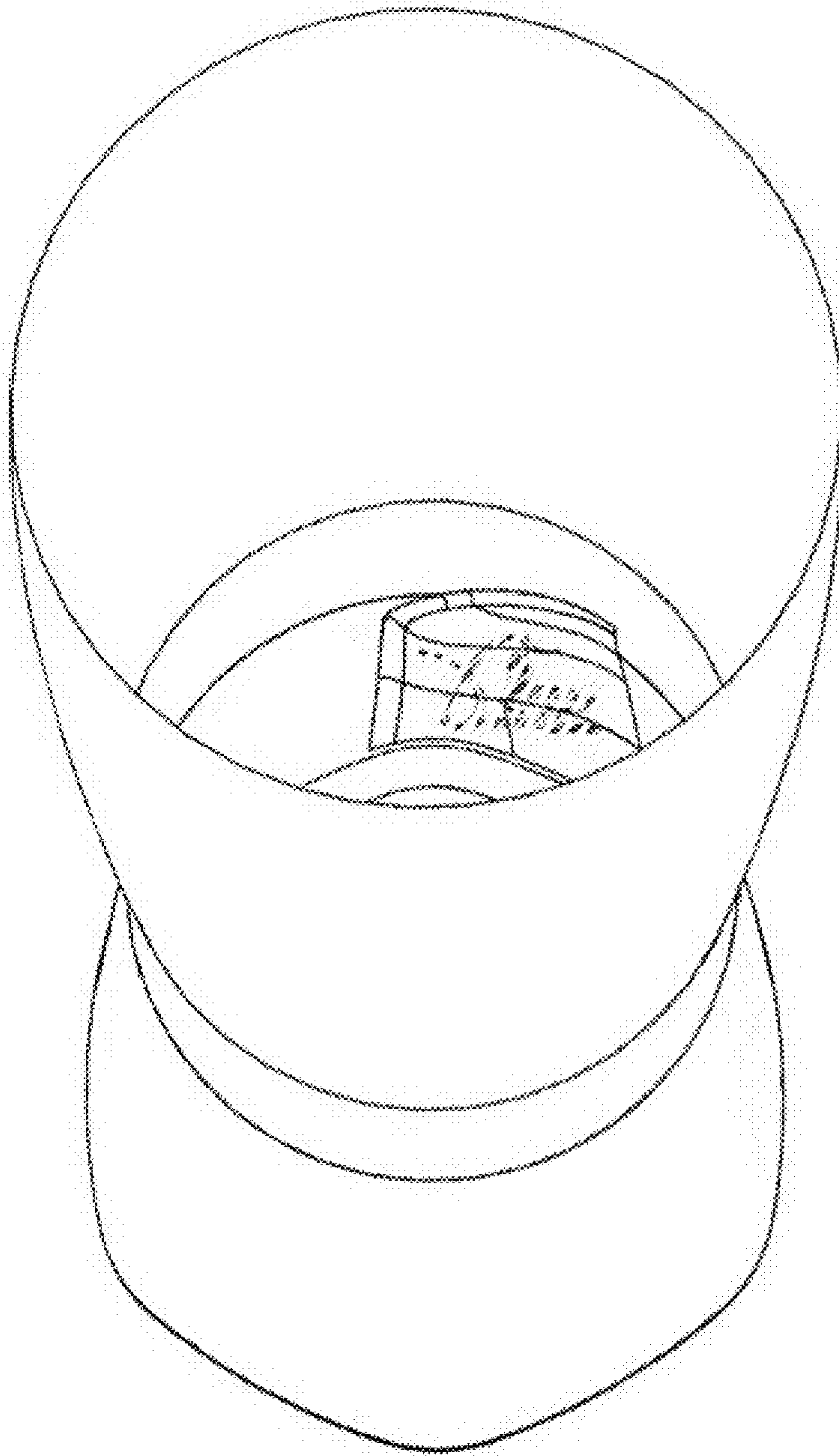
# 2.7



# 2.8



# 2.9



# 2.10

