

US00D896582S

(12) **United States Design Patent**
Measom et al.

(10) **Patent No.:** **US D896,582 S**

(45) **Date of Patent:** **** Sep. 22, 2020**

(54) **BURNER HOUSING**

(71) Applicant: **Logan Outdoor Products, LLC**, Hyde Park, UT (US)

(72) Inventors: **Ty Measom**, Logan, UT (US); **Brett Bennett**, Mantua, UT (US); **Trevor Mecham**, Logan, UT (US); **Roman Tinney**, Providence, UT (US)

(73) Assignee: **LOGAN OUTDOOR PRODUCTS, LLC**, Hyde Park, UT (US)

(**) Term: **15 Years**

(21) Appl. No.: **29/663,336**

(22) Filed: **Sep. 13, 2018**

(51) **LOC (12) Cl.** **07-02**

(52) **U.S. Cl.**
USPC **D7/407**

(58) **Field of Classification Search**
USPC D7/332-337, 402-406, 407-409, D7/416-417; D23/415, 418
CPC A47J 37/07-0763; A47J 37/0781; A47J 37/0786; A47J 37/079; A47J 2037/0795; F24C 1/16; F24C 3/14; F24B 1/205
See application file for complete search history.

(56) **References Cited**

U.S. PATENT DOCUMENTS

- 3,025,850 A * 3/1962 Binkley F24C 3/14
126/43
- D340,383 S * 10/1993 Addison D7/402
- D422,452 S * 4/2000 Persson D7/332
- 6,187,359 B1 * 2/2001 Zuccarini A47J 37/0786
126/25 R
- D453,372 S * 2/2002 Pecoskie D23/332
- D570,642 S * 6/2008 Svartstrom D7/337

- D701,721 S * 4/2014 Jan D7/332
- D777,516 S * 1/2017 Hunsaker D7/417
- 2004/0154606 A1 * 8/2004 McNeill A47J 37/0786
126/25 R
- 2009/0095276 A1 * 4/2009 Kaye A47J 37/079
126/25 B
- 2018/0180286 A1 * 6/2018 Brennan A47J 37/0763
- 2018/0368617 A1 * 12/2018 Allmendinger A47J 37/0704
- 2019/0313848 A1 * 10/2019 Sanchez A47J 37/0704
- 2019/0335949 A1 * 11/2019 Simon A47J 37/079

FOREIGN PATENT DOCUMENTS

CN 304070062 * 3/2017

* cited by examiner

Primary Examiner — Brett Miller

(74) *Attorney, Agent, or Firm* — Amardeep S. Grewal; Gerard M. Donovan; Reed Smith LLP

(57) **CLAIM**

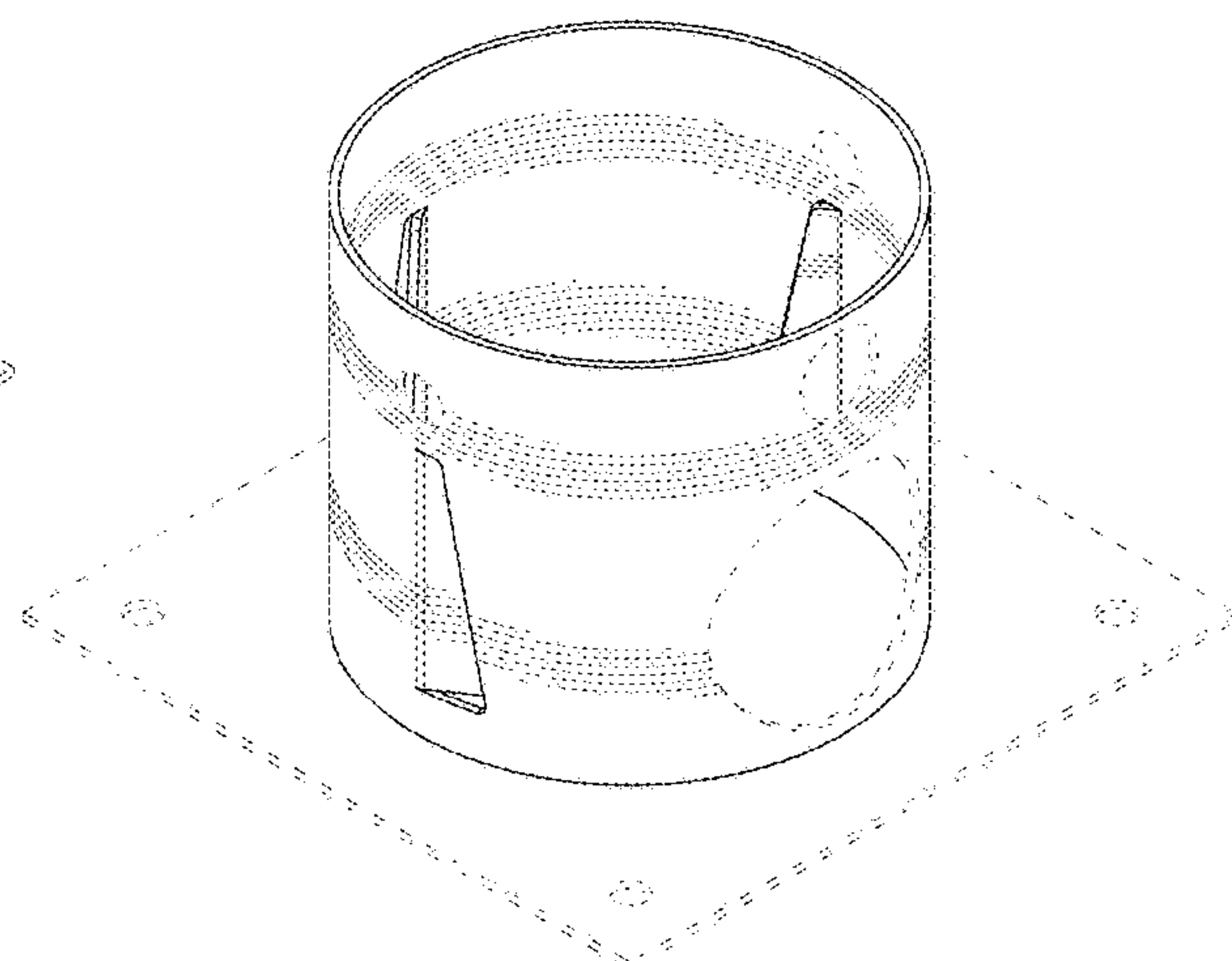
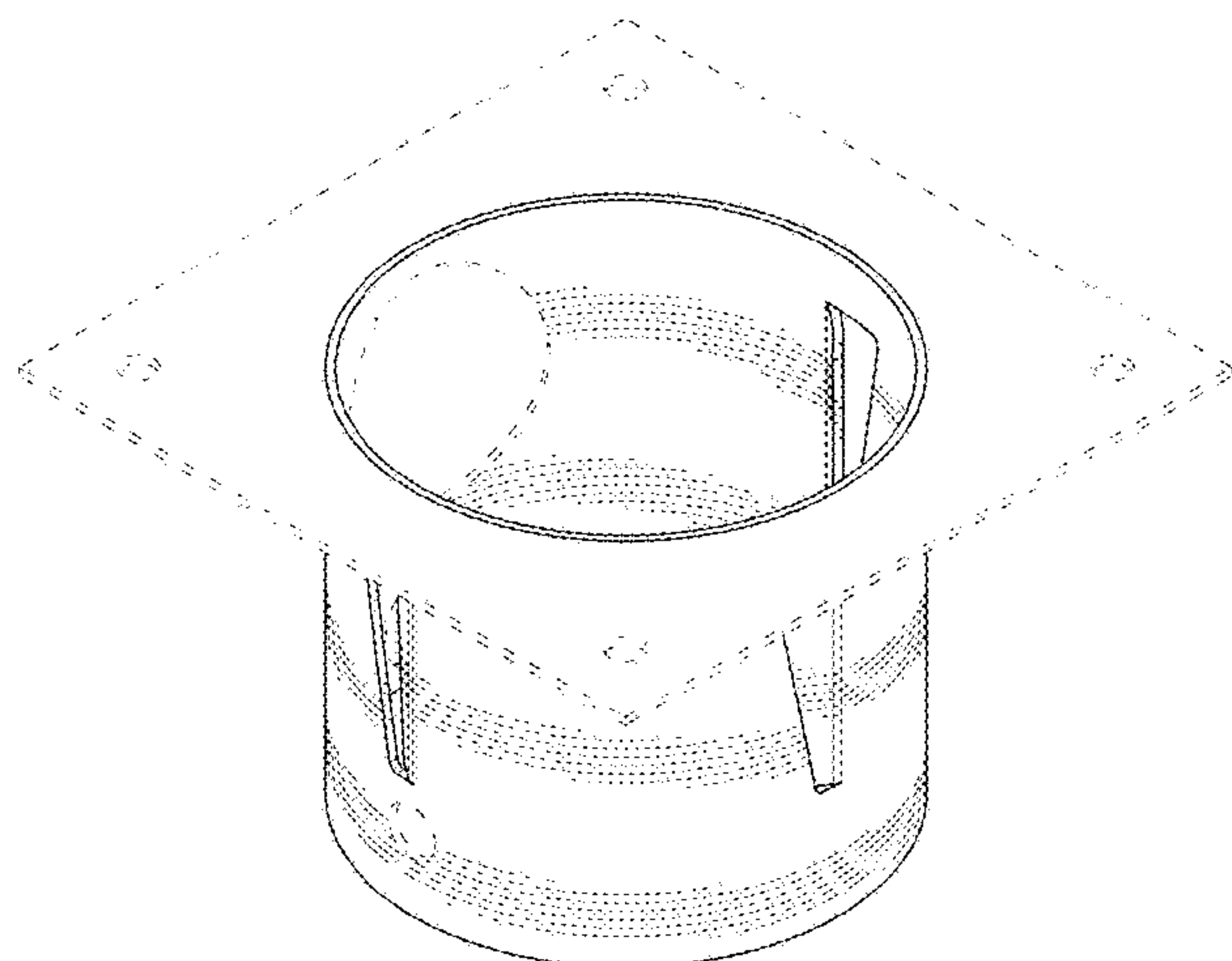
The ornamental design for a burner housing, as shown and described.

DESCRIPTION

FIG. 1 is a top perspective view;
FIG. 2 is a bottom perspective view;
FIG. 3 is a first side view;
FIG. 4 is a second side view;
FIG. 5 is a third side view;
FIG. 6 is a fourth side view;
FIG. 7 is a bottom view; and,
FIG. 8 is a top view.

The broken lines immediately adjacent the shaded areas represent the bounds of the claimed design while all other broken lines are directed to environment and are for illustrative purposes only; the broken lines form no part of the claimed design.

1 Claim, 8 Drawing Sheets



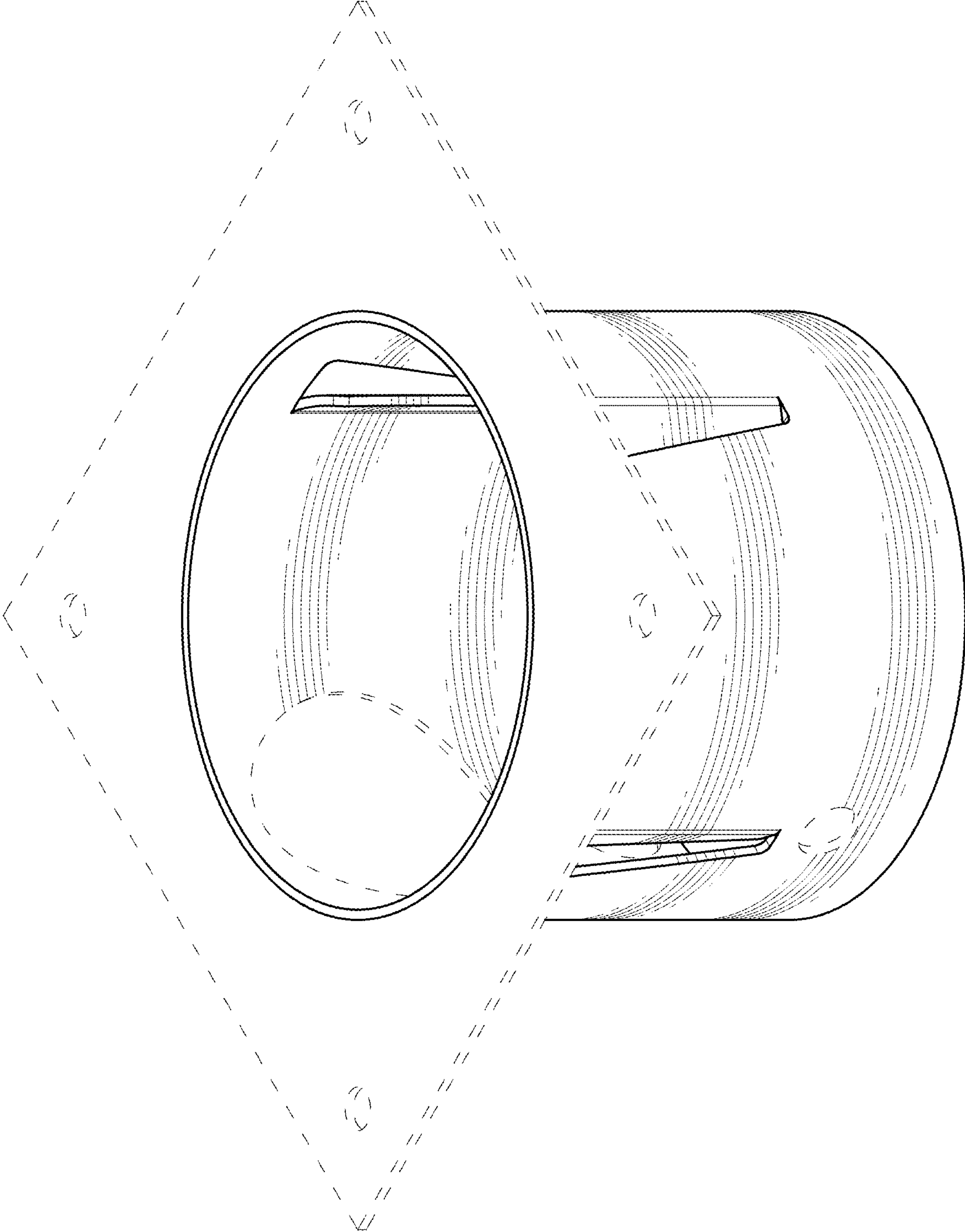
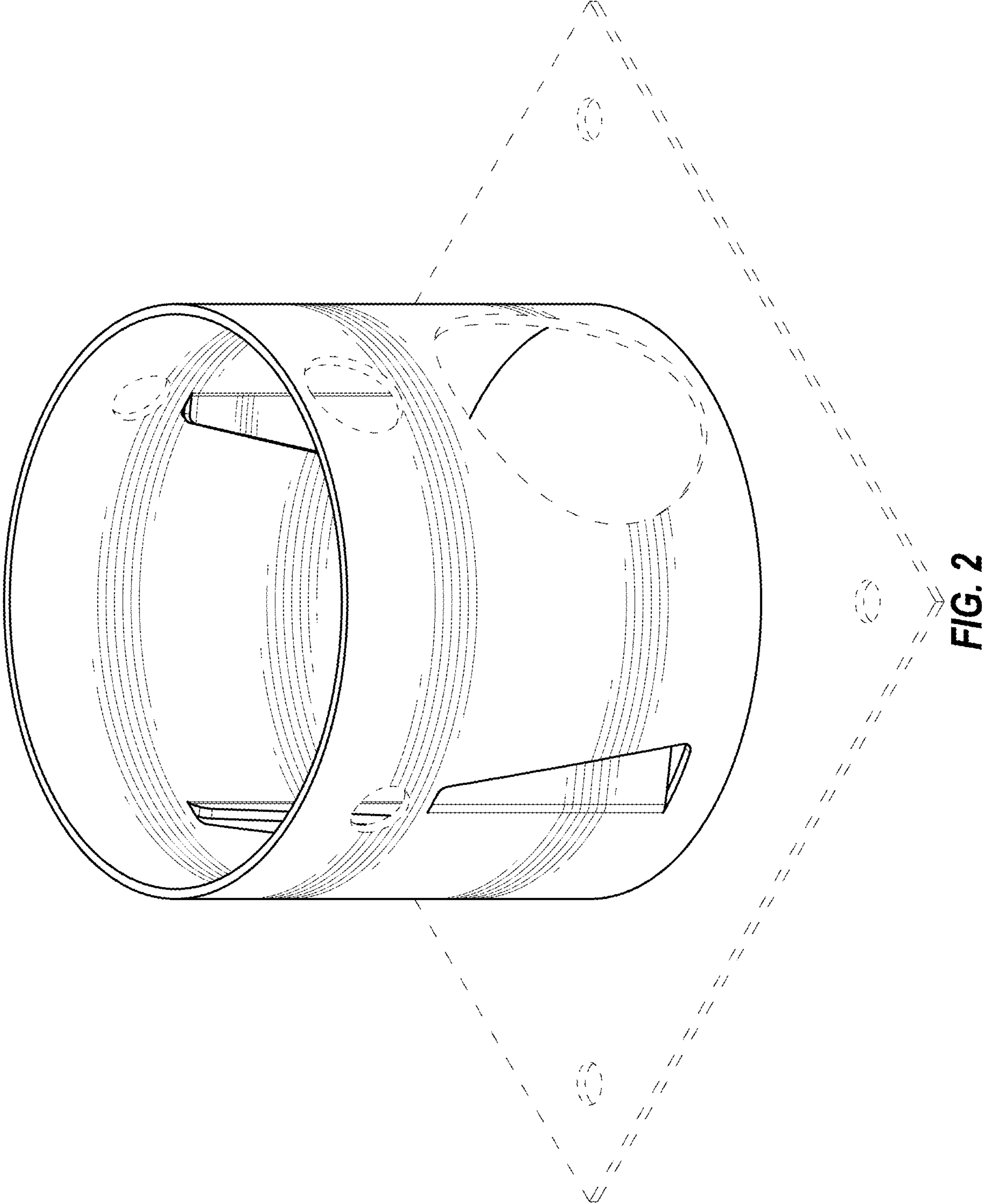


FIG. 1



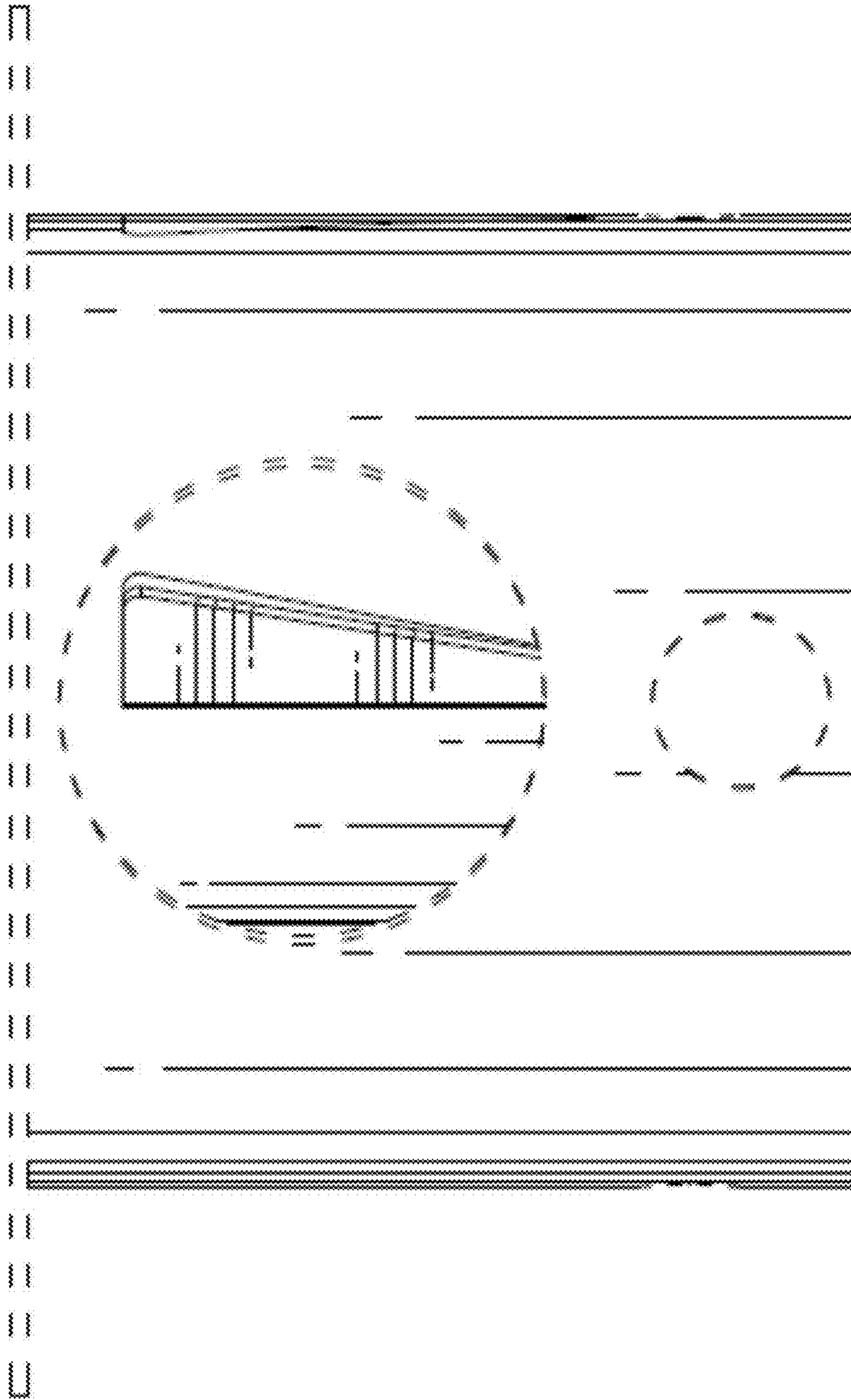


Fig. 3

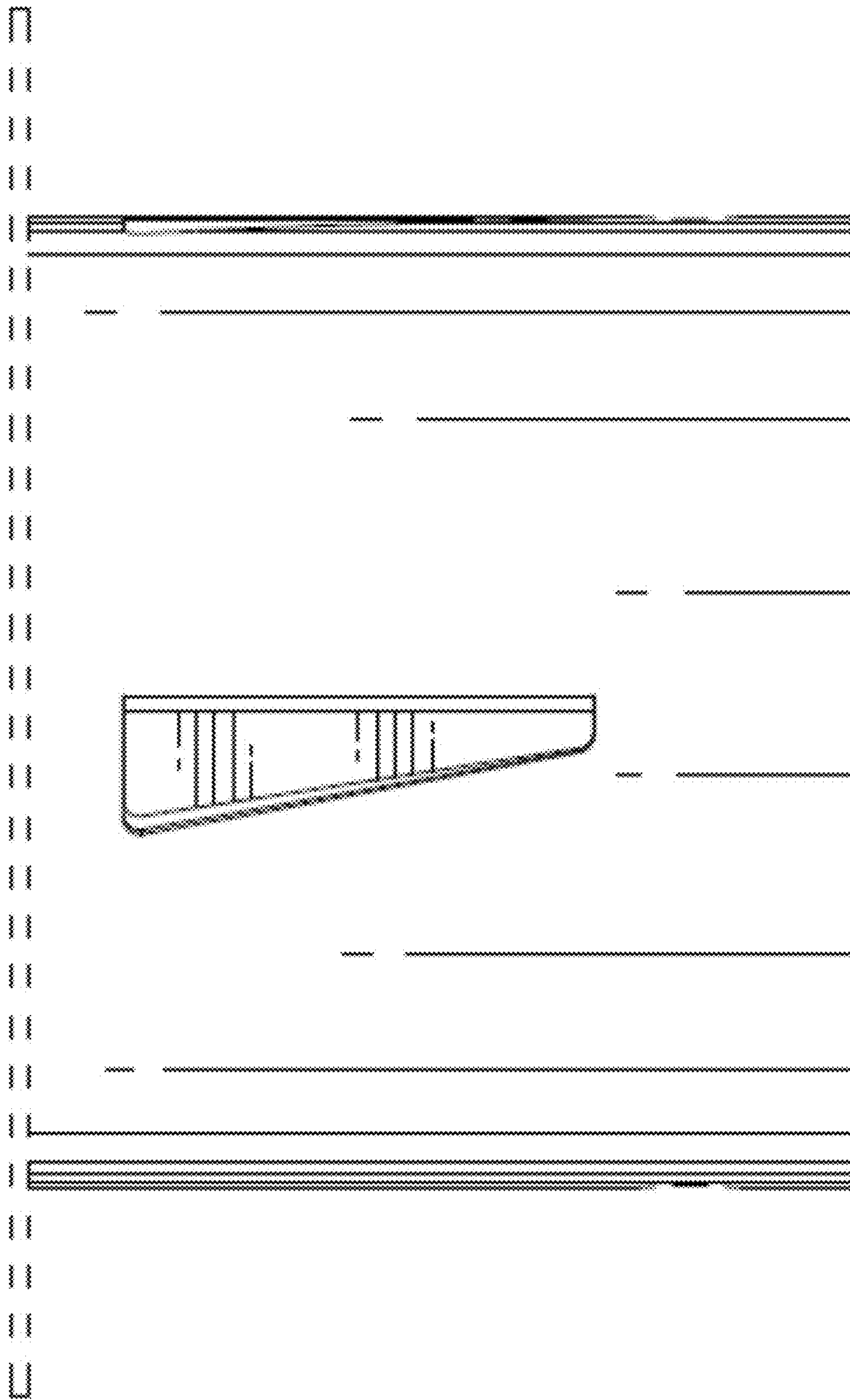


Fig. 4

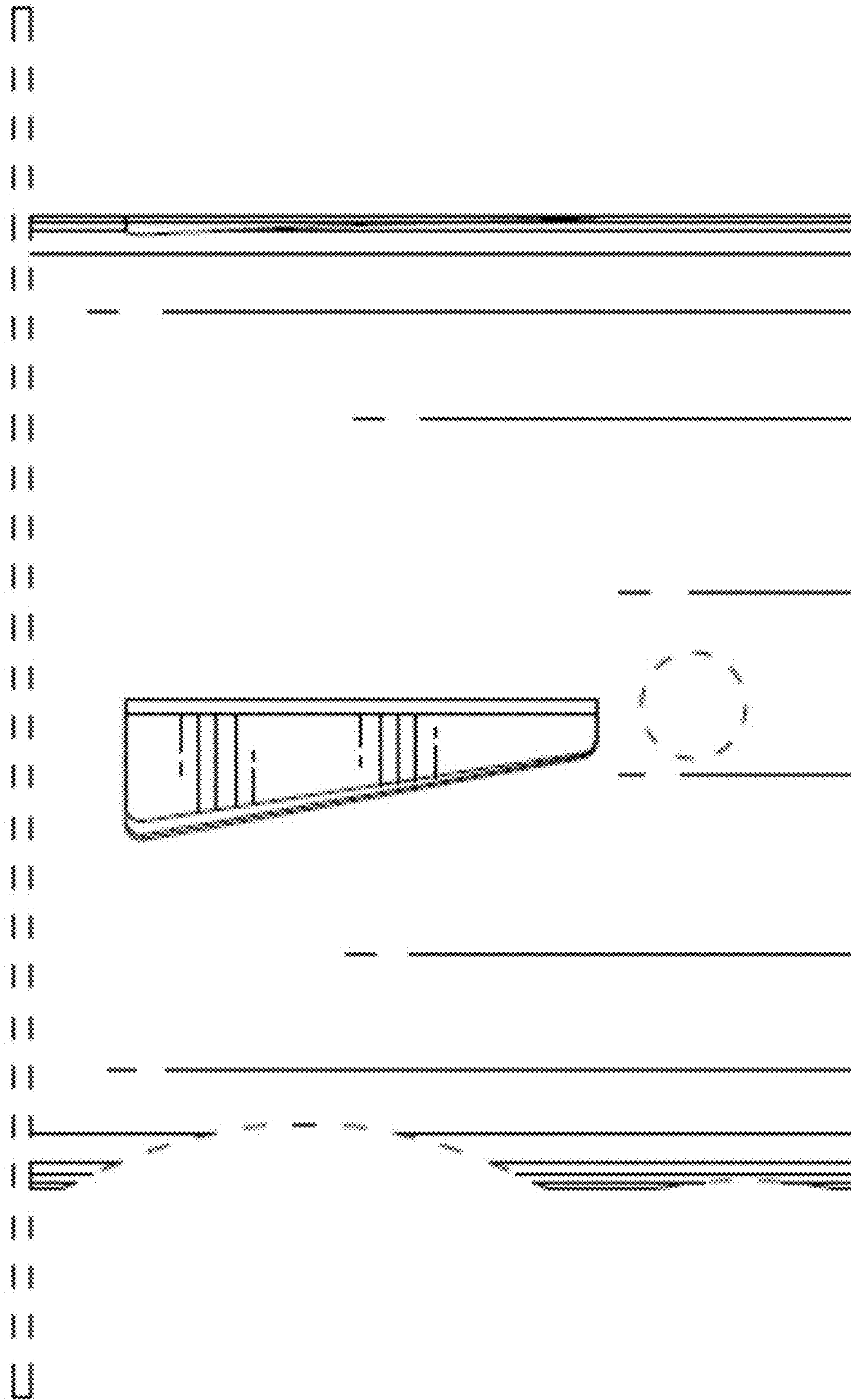


Fig. 5

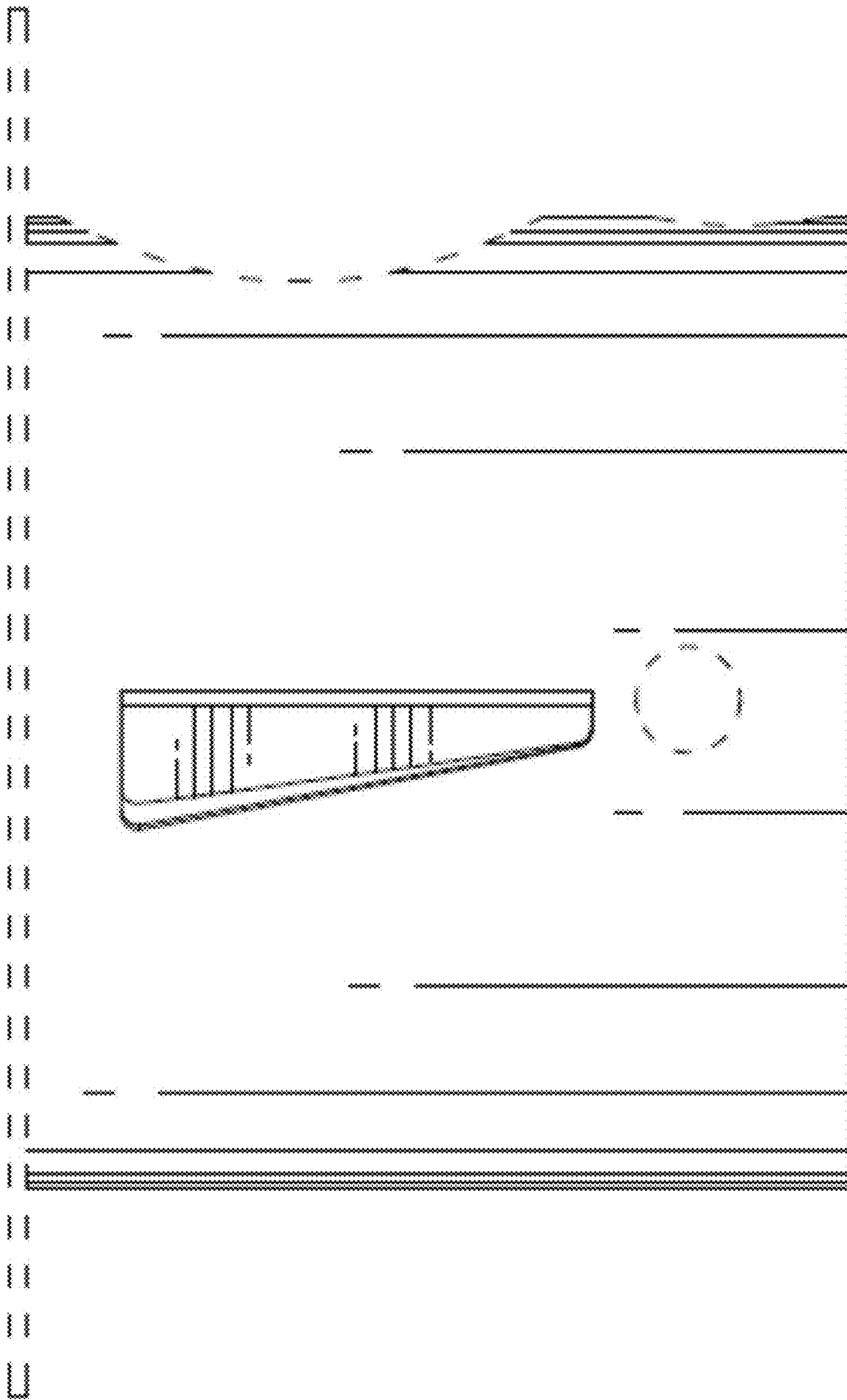


Fig. 6

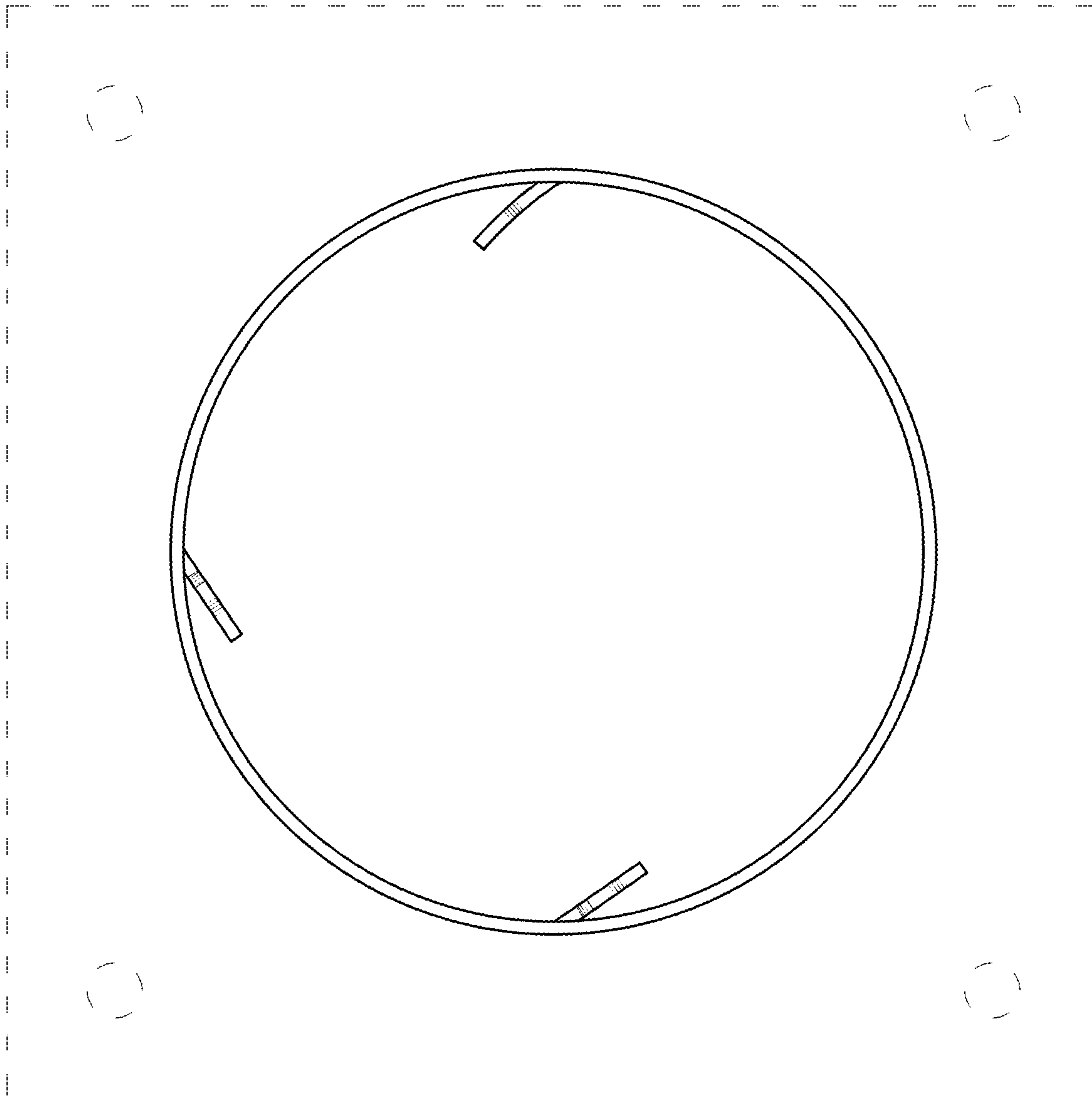


FIG. 7

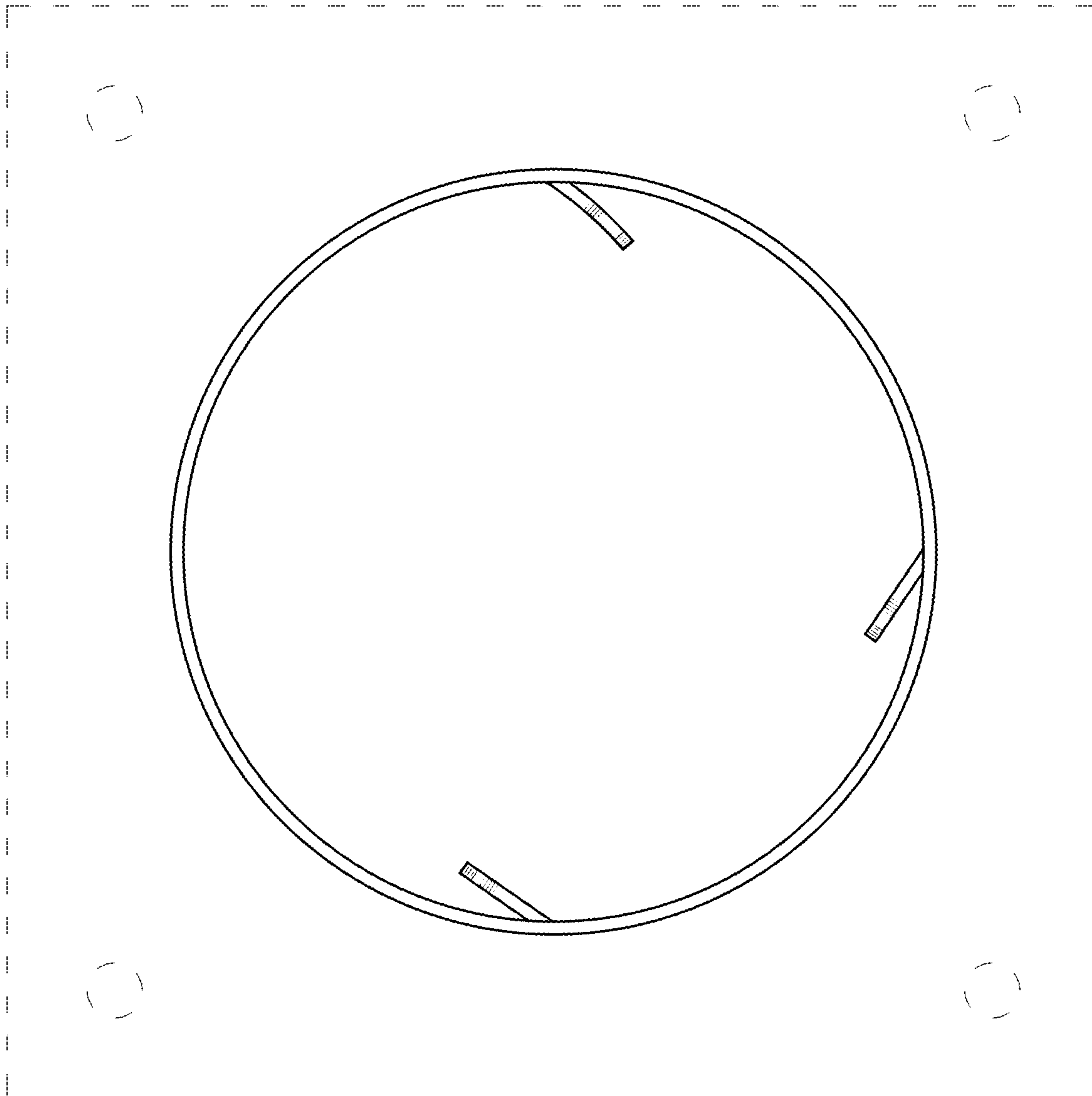


FIG. 8