



US00D896575S

(12) **United States Design Patent**  
**Xie**

(10) **Patent No.:** **US D896,575 S**

(45) **Date of Patent:** **\*\* Sep. 22, 2020**

(54) **LID FOR BEVERAGE CONTAINER**

(71) Applicant: **Shenzhenshi Baozhixia Keji**  
**youxiangongsi**, Shenzhen Guangdong  
(CN)

(72) Inventor: **Zhixia Xie**, Guangdong Province (CN)

(\*\*) Term: **15 Years**

(21) Appl. No.: **29/727,094**

(22) Filed: **Mar. 9, 2020**

(51) **LOC (12) Cl.** ..... **07-99**

(52) **U.S. Cl.**  
USPC ..... **D7/392.1; D7/396.2; D9/447; D9/449**

(58) **Field of Classification Search**  
USPC ..... D9/434, 435, 438-441, 443-454, 499,  
D9/503-505, 682, 685, 686; D7/300.1,  
D7/387, 391, 392, 392.1, 393, 394, 396.1,  
D7/396.2, 506, 507, 510, 511, 533, 534,  
D7/900; D3/202, 203.2, 294, 318;  
D28/91, 91.1  
CPC .. A61J 1/00; A61J 1/1412; B65D 1/00; B65D  
1/02; B65D 1/10; B65D 1/46; B65D  
5/46; B65D 41/00; B65D 41/38; B65D  
41/56; B65D 41/62; B65D 47/00; B65D  
47/06; B65D 47/08; B65D 2251/00;  
B65D 2543/00046; B65D 2543/00092;  
B65D 2543/00296  
See application file for complete search history.

(56) **References Cited**

**U.S. PATENT DOCUMENTS**

- D416,755 S \* 11/1999 Trombly ..... D7/396.2
- 6,752,287 B1 \* 6/2004 Lin ..... A47G 19/2272  
220/254.9
- D530,153 S \* 10/2006 Karp ..... D7/510
- D533,779 S \* 12/2006 Schmidtner ..... D9/449
- D536,213 S \* 2/2007 Schuler ..... D7/392.1

- D536,214 S \* 2/2007 Schuler ..... D7/392.1
- D571,152 S \* 6/2008 Tien ..... D7/509
- D582,206 S \* 12/2008 Fuller ..... D7/392.1
- D591,556 S \* 5/2009 Fuller ..... D7/396.2
- D615,358 S \* 5/2010 Wahl ..... D7/510
- D666,052 S \* 8/2012 Trombly ..... D7/392.1
- D696,940 S \* 1/2014 Hale ..... D9/447
- D698,201 S \* 1/2014 Bradford ..... D7/510
- D709,366 S \* 7/2014 Fleming
- D733,499 S \* 7/2015 Perman ..... D7/536
- D742,173 S \* 11/2015 Perman ..... D7/511
- D751,341 S \* 3/2016 Seiders ..... D7/396.2
- D758,792 S \* 6/2016 Karussi ..... D7/392.1
- D790,272 S \* 6/2017 Han ..... D7/396.2
- D801,746 S \* 11/2017 Thuma ..... D7/392.1
- D802,362 S \* 11/2017 Spivey ..... D7/396.2
- D804,905 S \* 12/2017 Seiders ..... D7/511
- D805,839 S \* 12/2017 Karussi ..... D7/392.1
- D808,722 S \* 1/2018 Hill ..... D7/510
- D810,503 S \* 2/2018 Murosky ..... D7/392.1

(Continued)

*Primary Examiner* — Wendy L Arminio  
(74) *Attorney, Agent, or Firm* — ZANIP

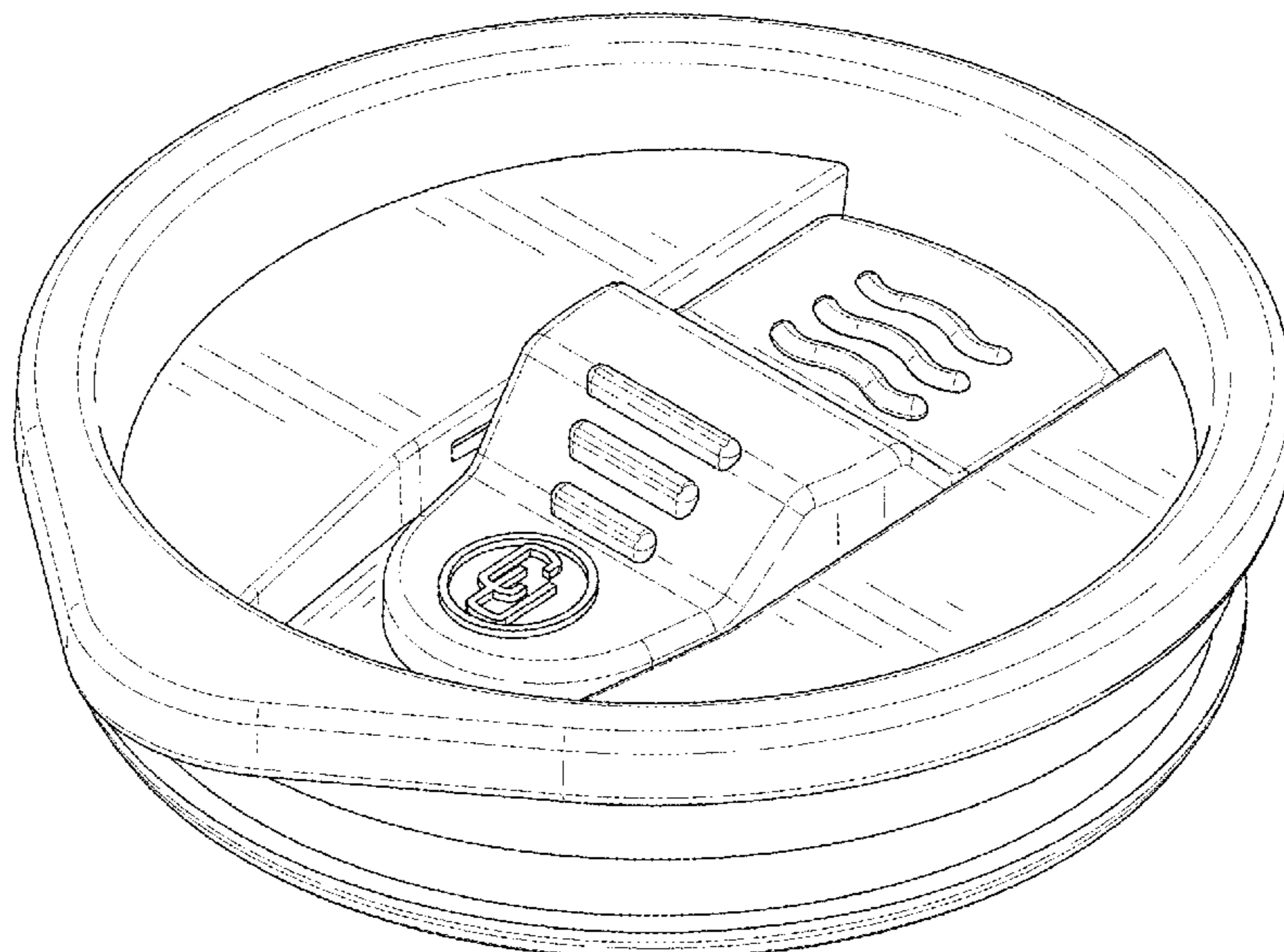
(57) **CLAIM**

The ornamental design for a lid for beverage container, as shown and described.

**DESCRIPTION**

FIG. 1 is a front and top perspective view of a lid for beverage container, showing my new design;  
FIG. 2 is a rear and bottom perspective view thereof;  
FIG. 3 is a front elevational view thereof;  
FIG. 4 is a rear elevational view thereof;  
FIG. 5 is a left side elevational view thereof;  
FIG. 6 is a right side elevational view thereof;  
FIG. 7 is a top plan view thereof; and,  
FIG. 8 is a bottom plan view thereof.  
The broken lines in the figures illustrate portions of the lid for beverage container that form no part of the claimed design.

**1 Claim, 8 Drawing Sheets**



(56)

**References Cited**

U.S. PATENT DOCUMENTS

D810,511	S *	2/2018	Harrington, III	.....	D7/511
D819,406	S *	6/2018	Rivera	.....	D7/510
D820,044	S *	6/2018	Jenkins	.....	D7/511
D820,045	S *	6/2018	Harrington, III	.....	D7/511
D825,992	S *	8/2018	Sadhwani	.....	D7/510
D825,993	S *	8/2018	Sadhwani	.....	D7/510
D850,191	S *	6/2019	Jacobsen	.....	D7/396.2
D850,192	S *	6/2019	Jacobsen	.....	D7/396.2
D857,443	S *	8/2019	Hill	.....	D7/392.1
D867,057	S *	11/2019	Spivey	.....	D7/392.1
D875,471	S *	2/2020	Cheng	.....	D7/510
2006/0081633	A1 *	4/2006	Schmidtner	.....	B65D 47/286 220/254.9
2016/0174743	A1 *	6/2016	Childs	.....	A47G 19/2288 220/740
2016/0270572	A1 *	9/2016	Karussi	.....	A47G 19/2288
2017/0121074	A1 *	5/2017	Seiders	.....	B65D 51/1605

\* cited by examiner

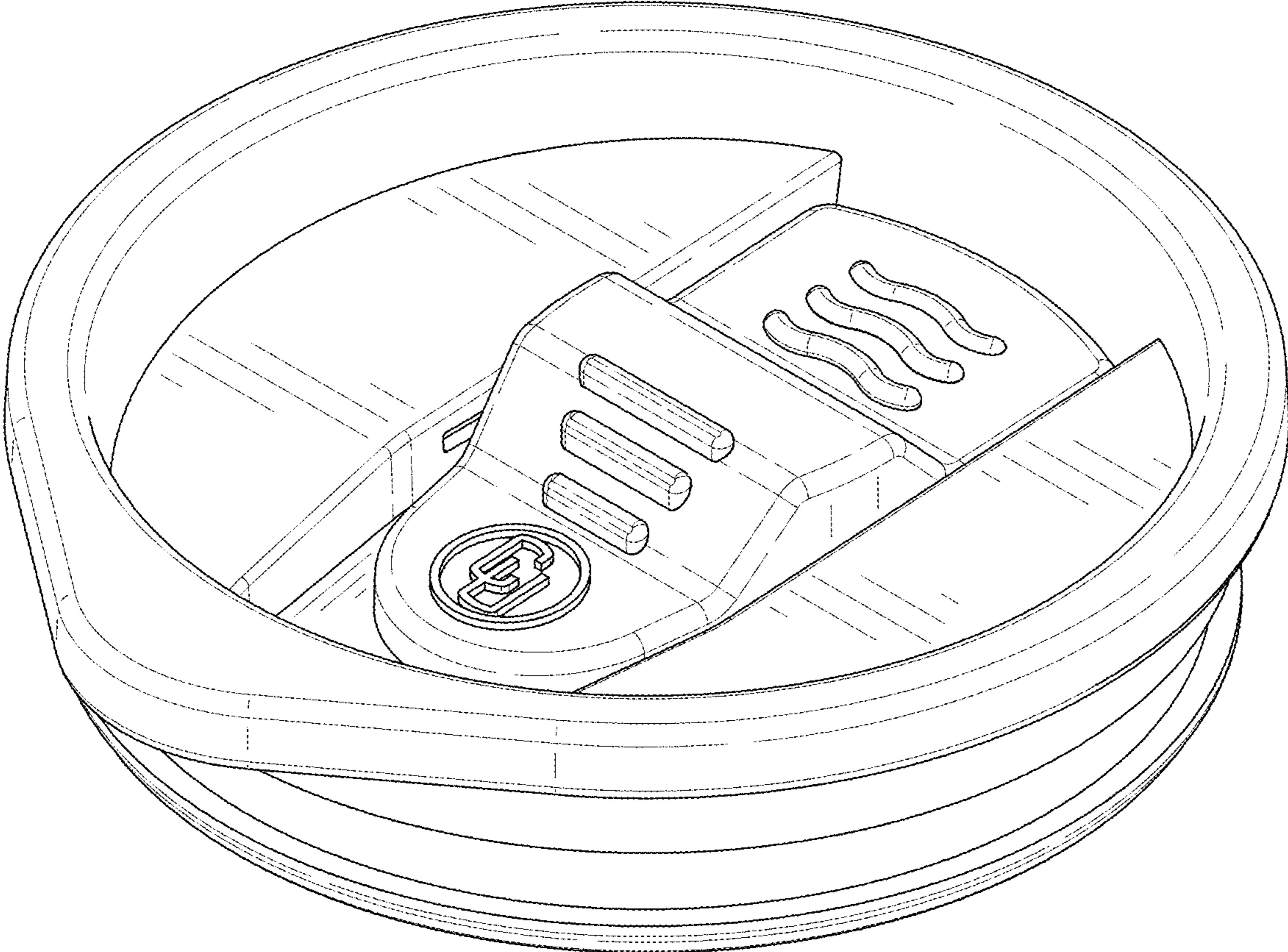


FIG. 1

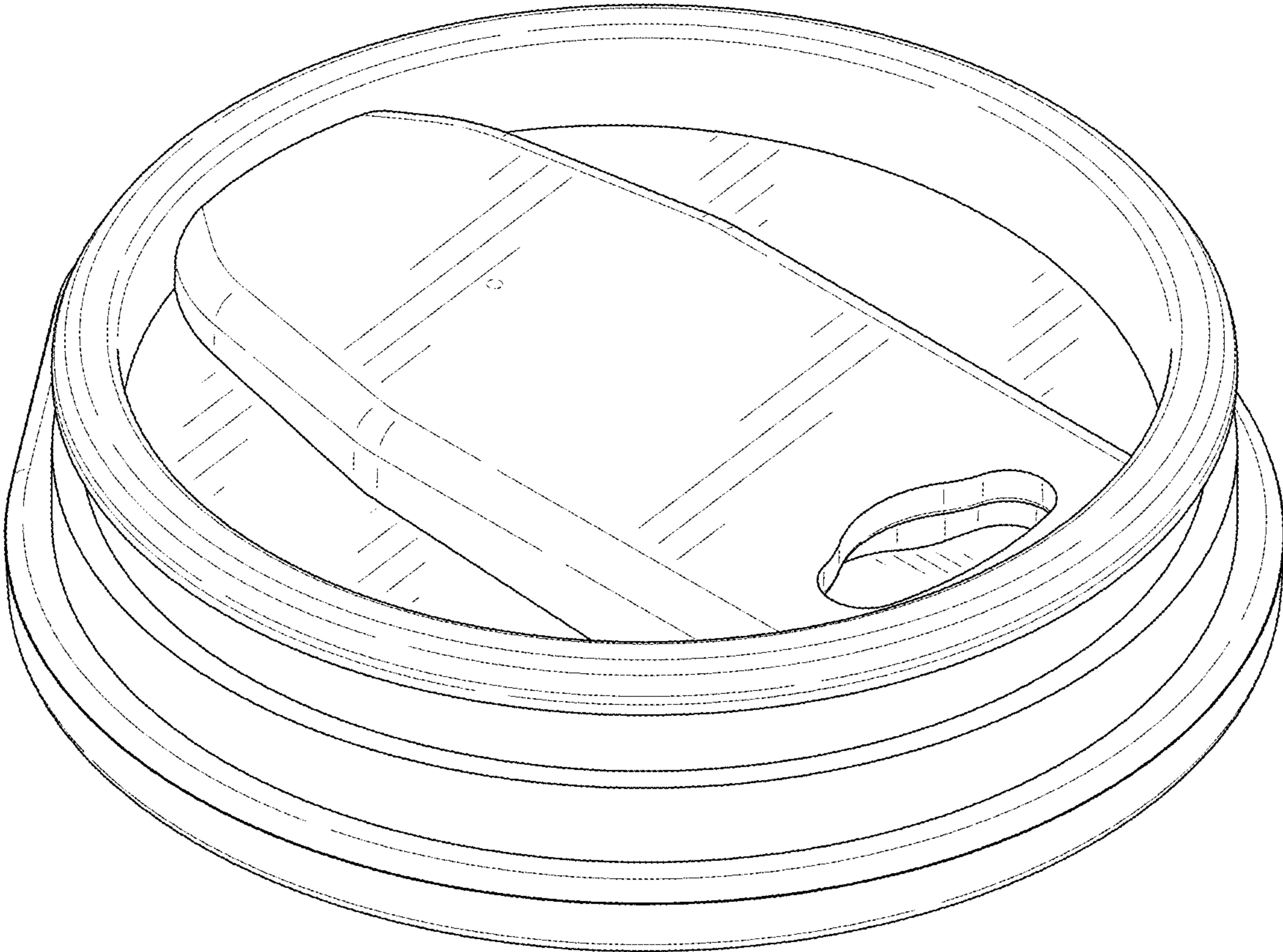


FIG. 2

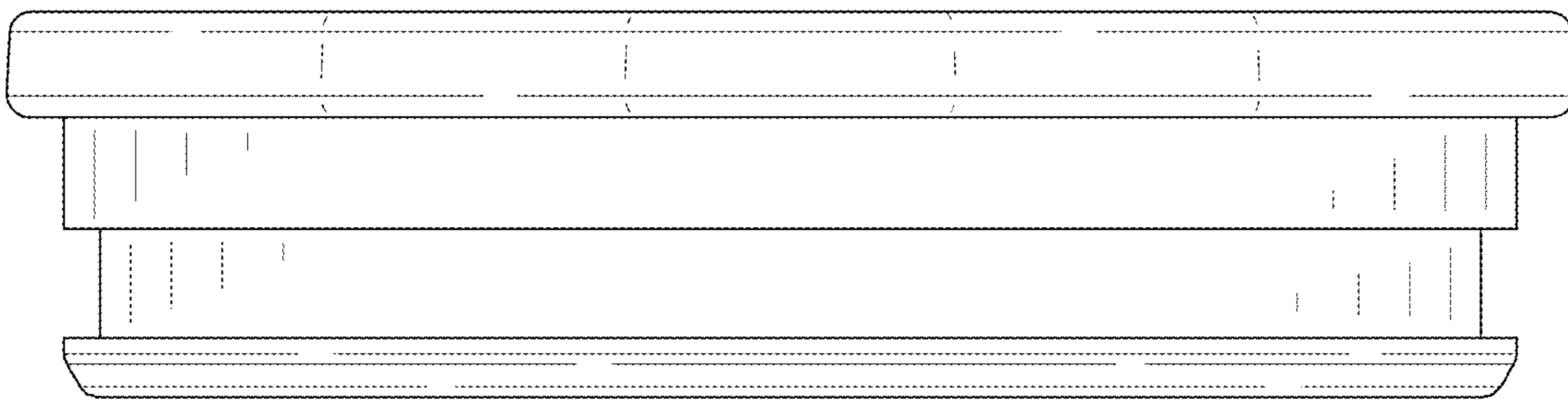


FIG. 3

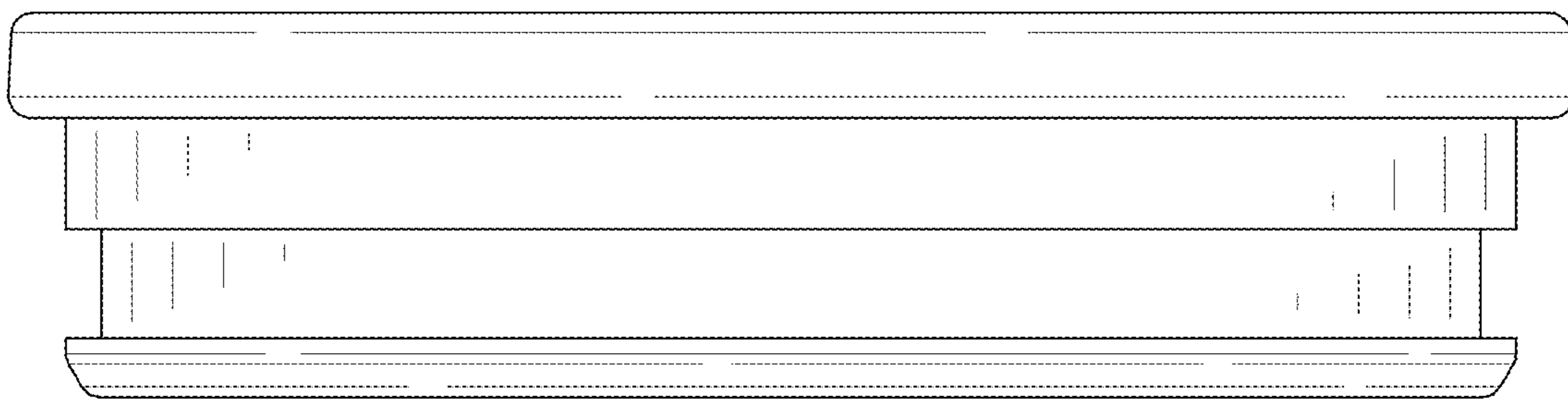


FIG. 4

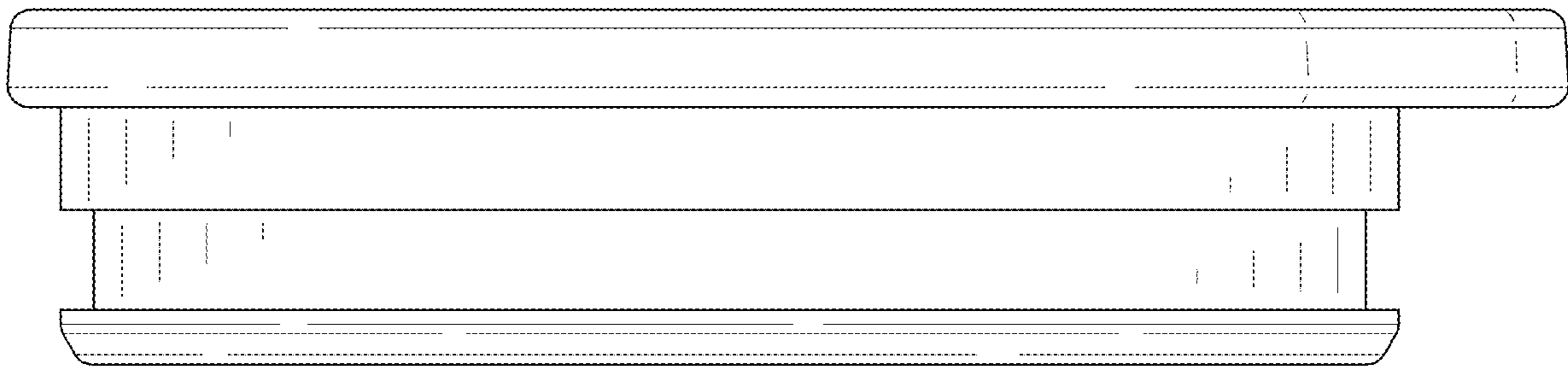


FIG. 5

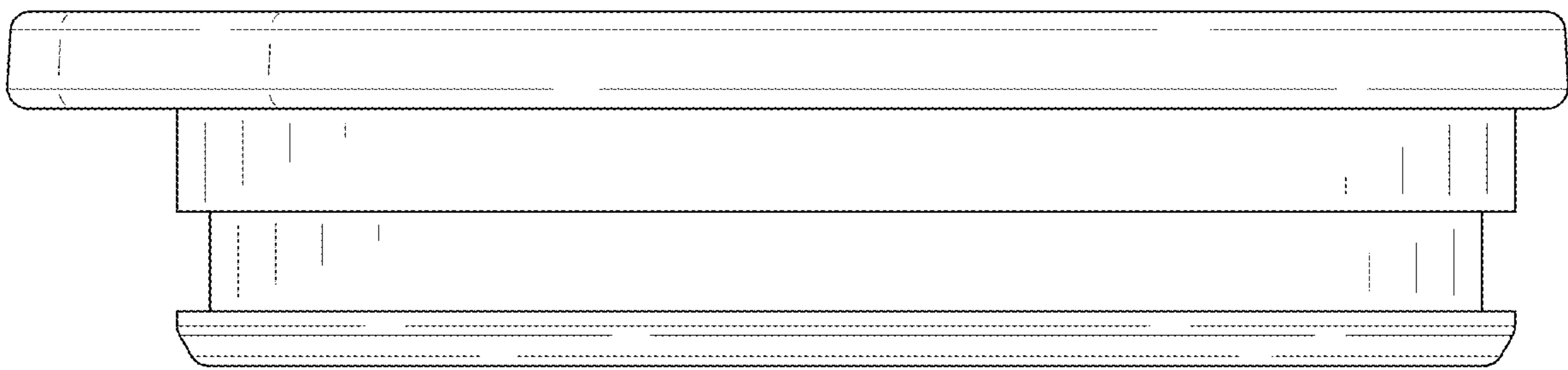


FIG. 6



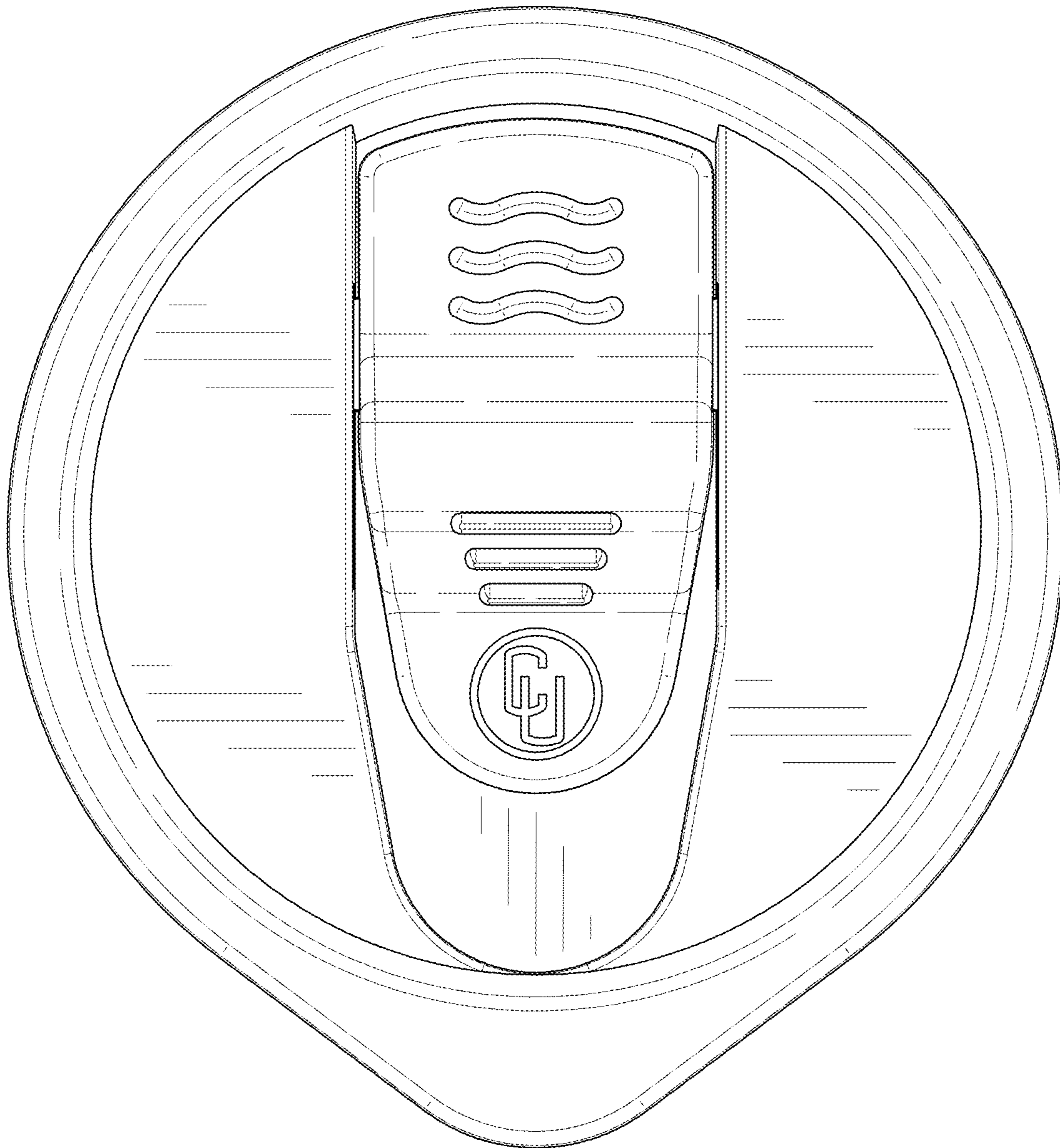


FIG. 7

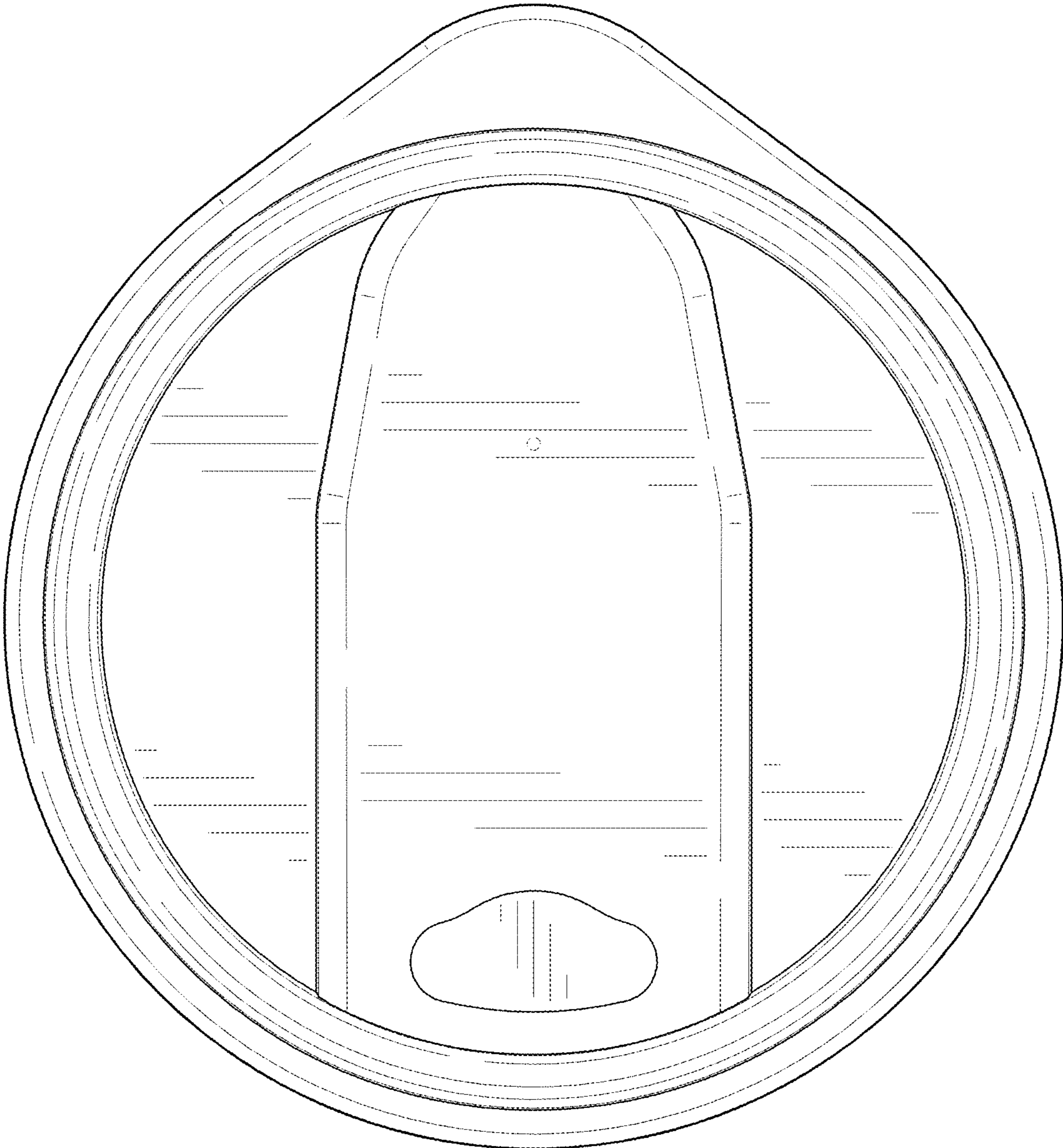


FIG. 8