



US00D896574S

(12) **United States Design Patent**
Wang et al.

(10) **Patent No.:** **US D896,574 S**
(45) **Date of Patent:** **** Sep. 22, 2020**

(54) **BIG CAP WITH STRAW**

(71) Applicant: **SHEN ZHEN QUICK FIT PLASTIC CO., LTD.**, Shenzhen (CN)

(72) Inventors: **Qi Wang**, Shenzhen (CN); **Hui Kang**, Shenzhen (CN)

(**) Term: **15 Years**

(21) Appl. No.: **29/715,229**

(22) Filed: **Nov. 29, 2019**

(30) **Foreign Application Priority Data**

Nov. 5, 2019 (CN) 2019 3 0606690

(51) **LOC (12) Cl.** **07-99**

(52) **U.S. Cl.**
USPC **D7/392.1; D7/396.2; D9/443; D9/450**

(58) **Field of Classification Search**
USPC D9/414, 434-436, 438-440, 443-457, D9/499, 503-505, 682, 685, 686; D7/387, 391, 392, 392.1, 396.2-396.4, D7/401.1, 507, 509-511, 538, 900; D3/202, 203.2, 318; D28/91.1
CPC .. A61J 1/00; A61J 1/1412; B65D 1/00; B65D 1/02; B65D 1/10; B65D 1/46; B65D 5/46; B65D 41/00; B65D 41/38; B65D 41/56; B65D 41/62; B65D 47/00; B65D 47/06; B65D 47/08; B65D 2251/00; B65D 2543/00046; B65D 2543/00092; B65D 2543/00296; B65D 2585/56; B65D 2585/545

See application file for complete search history.

(56) **References Cited**

U.S. PATENT DOCUMENTS

D165,653 S * 1/1952 Johnson D9/443
D448,971 S * 10/2001 Hughes D7/392.1
D534,801 S 1/2007 McMurrey et al.
D547,607 S * 7/2007 Forsman D7/396.2
D649,879 S * 12/2011 Gullickson D9/443

(Continued)

FOREIGN PATENT DOCUMENTS

CN 305355289 * 9/2019
CN 305676358 * 4/2020

Primary Examiner — Wendy L Arminio

(74) *Attorney, Agent, or Firm* — Erson IP (Nelson IP)

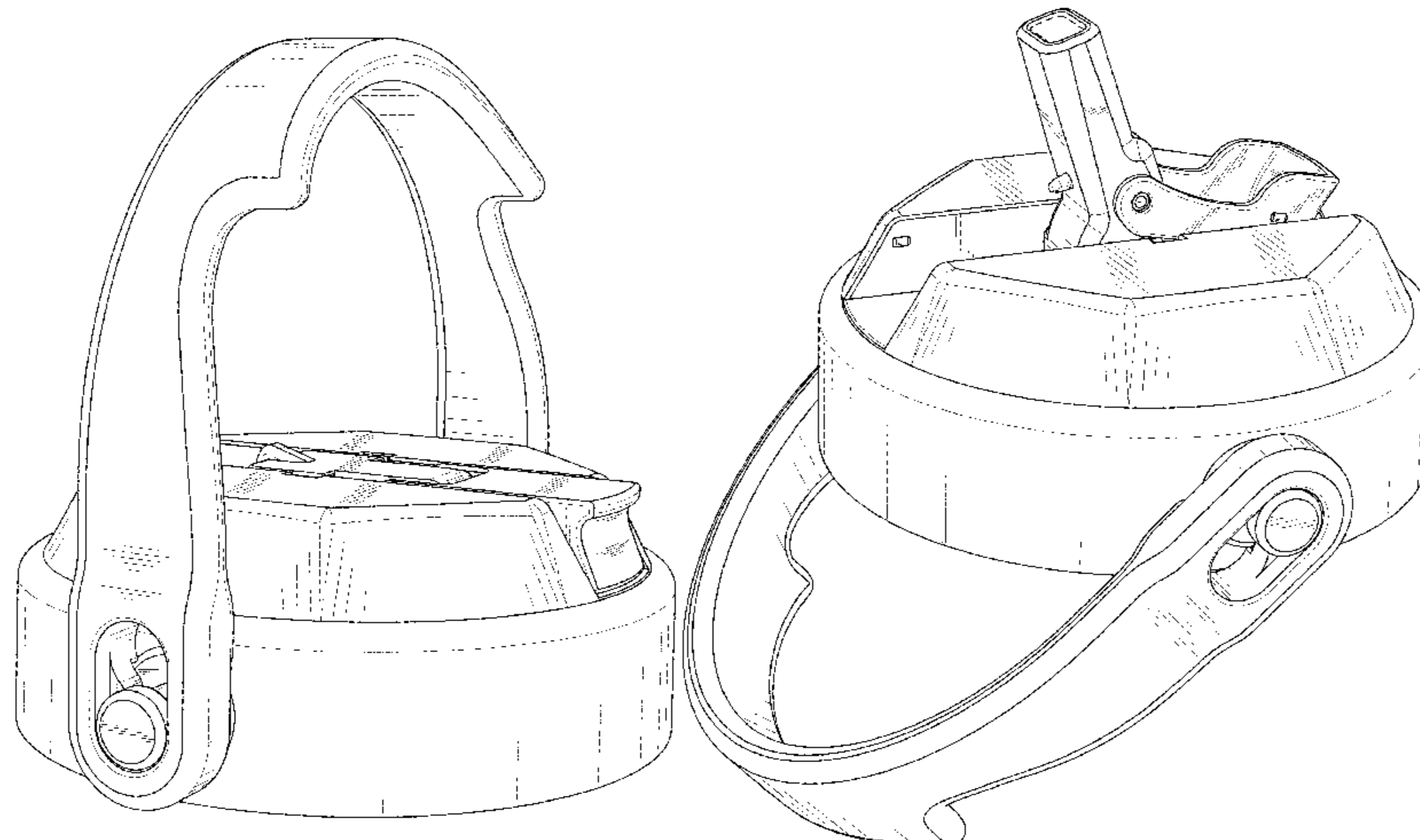
(57) **CLAIM**

The ornamental design for a big cap with straw, as shown and described.

DESCRIPTION

FIG. 1 is a first perspective view of a big cap with straw showing our new design in a closed state;
FIG. 2 is a second perspective view thereof;
FIG. 3 is a third perspective view thereof, showing the design in an open state and with the handle feature in an alternative configuration;
FIG. 4 is a fourth perspective view thereof, showing the design in an open state but with the handle feature in another alternative configuration;
FIG. 5 is a front view of the design of FIG. 1, showing the design in the closed state;
FIG. 6 is a rear view thereof;
FIG. 7 is a right side view thereof;
FIG. 8 is a left side view thereof;
FIG. 9 is a top plan view thereof;
FIG. 10 is a bottom plan view thereof;
FIG. 11 is a right side view of the design of FIG. 4, showing the design in the open state and the handle feature in an alternative configuration; and,
FIG. 12 is a right side view of the design of FIG. 3, showing the design in the open state and the handle feature in another alternative configuration.
The broken lines are for the purposes of illustrating portions of the big cap with straw that form no part of the claimed design.

1 Claim, 12 Drawing Sheets



(56)

References Cited

U.S. PATENT DOCUMENTS

D656,360 S * 3/2012 Miller D7/396.2
D682,034 S * 5/2013 El-Saden D7/510
D685,606 S * 7/2013 Keys D7/392.1
D688,093 S * 8/2013 Roth D7/392.1
D704,986 S * 5/2014 Manies D7/392.1
D720,218 S * 12/2014 Hutson D9/443
D729,569 S * 5/2015 Herbst D7/392
D742,230 S * 11/2015 Charles D7/396.2
D799,320 S * 10/2017 Goodwin D9/450
D804,903 S * 12/2017 Mason D7/510
D810,500 S * 2/2018 Maple D7/392.1
D811,162 S * 2/2018 Rane D7/396.2
D812,966 S * 3/2018 Murosky D9/443
D817,088 S * 5/2018 Shirley
D820,637 S * 6/2018 Davis D7/392.1
D835,938 S * 12/2018 Zou D7/392.1
D844,376 S * 4/2019 Rosette D7/392
D853,181 S * 7/2019 Stanton D7/392
D855,388 S * 8/2019 Potter D7/392.1
D857,445 S * 8/2019 Keung D7/392.1
D868,534 S * 12/2019 Lin D7/392.1
D870,508 S * 12/2019 Palkon D7/392.1
D870,509 S * 12/2019 Bo D7/392.1
D872,522 S * 1/2020 Diener D9/447
D872,524 S * 1/2020 Bo D7/392.1
2006/0226110 A1 * 10/2006 Choi A47G 19/2266
215/228
2017/0283132 A1 * 10/2017 Sorensen B65D 43/26

* cited by examiner

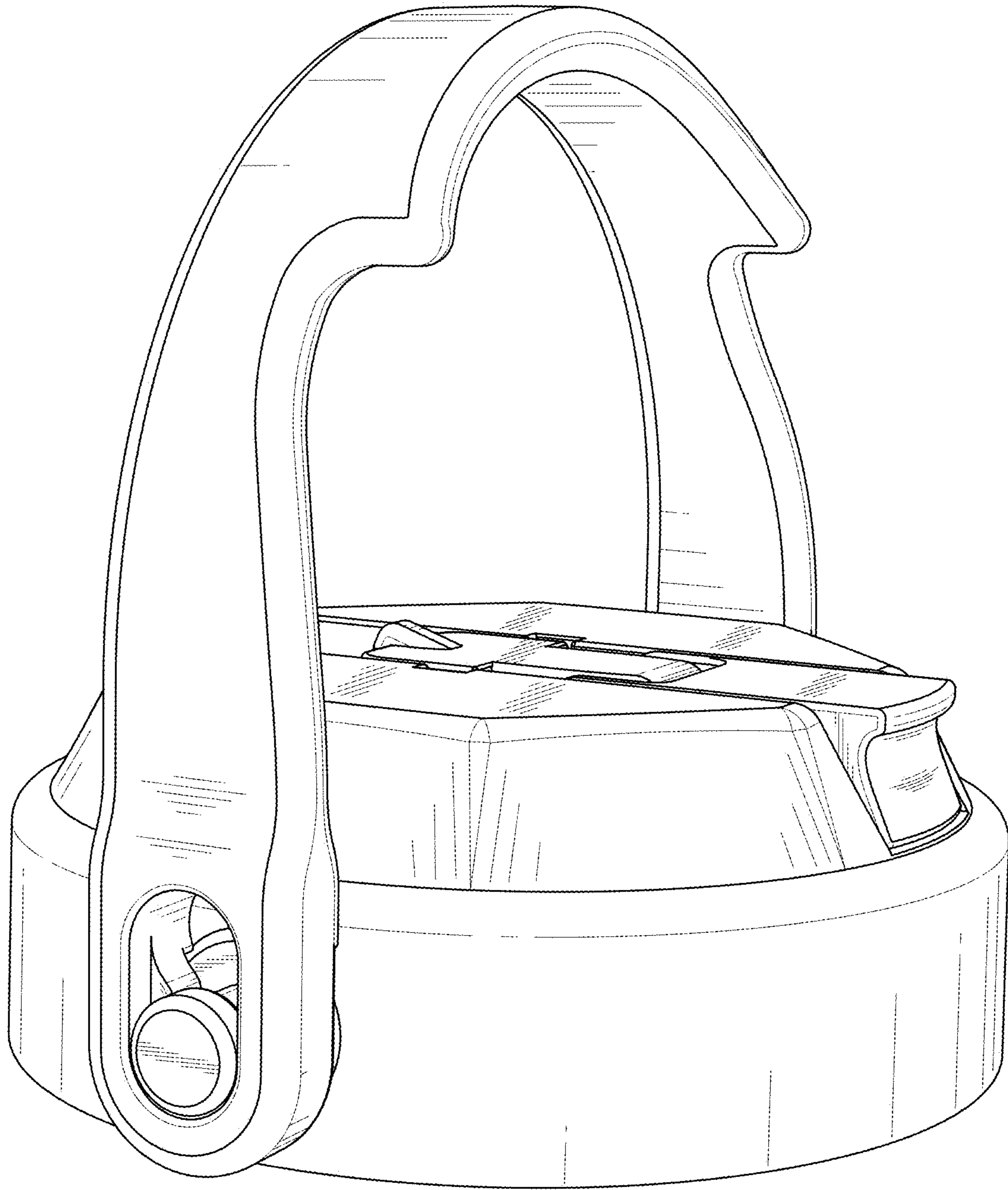


FIG. 1



FIG. 2

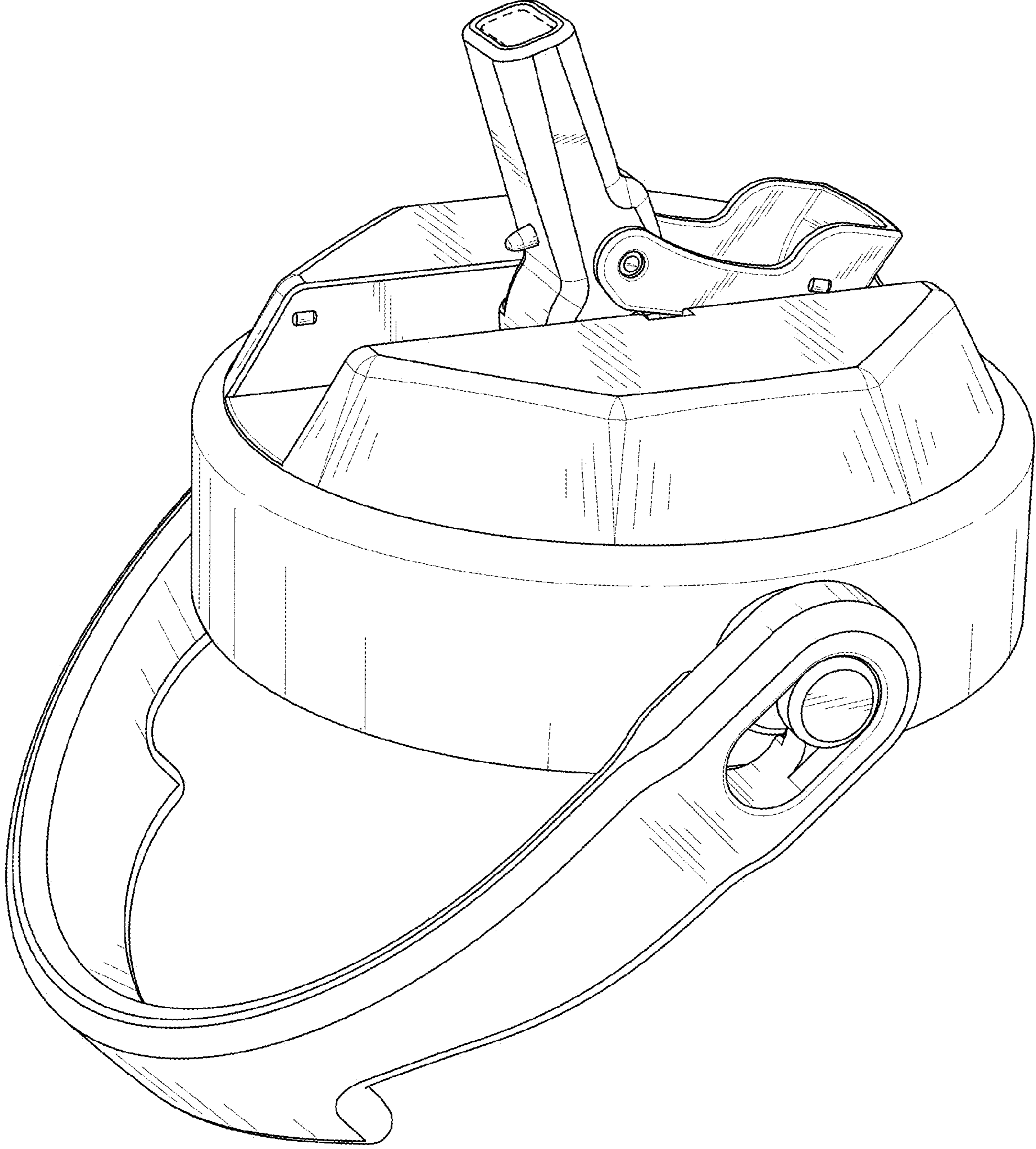


FIG. 3

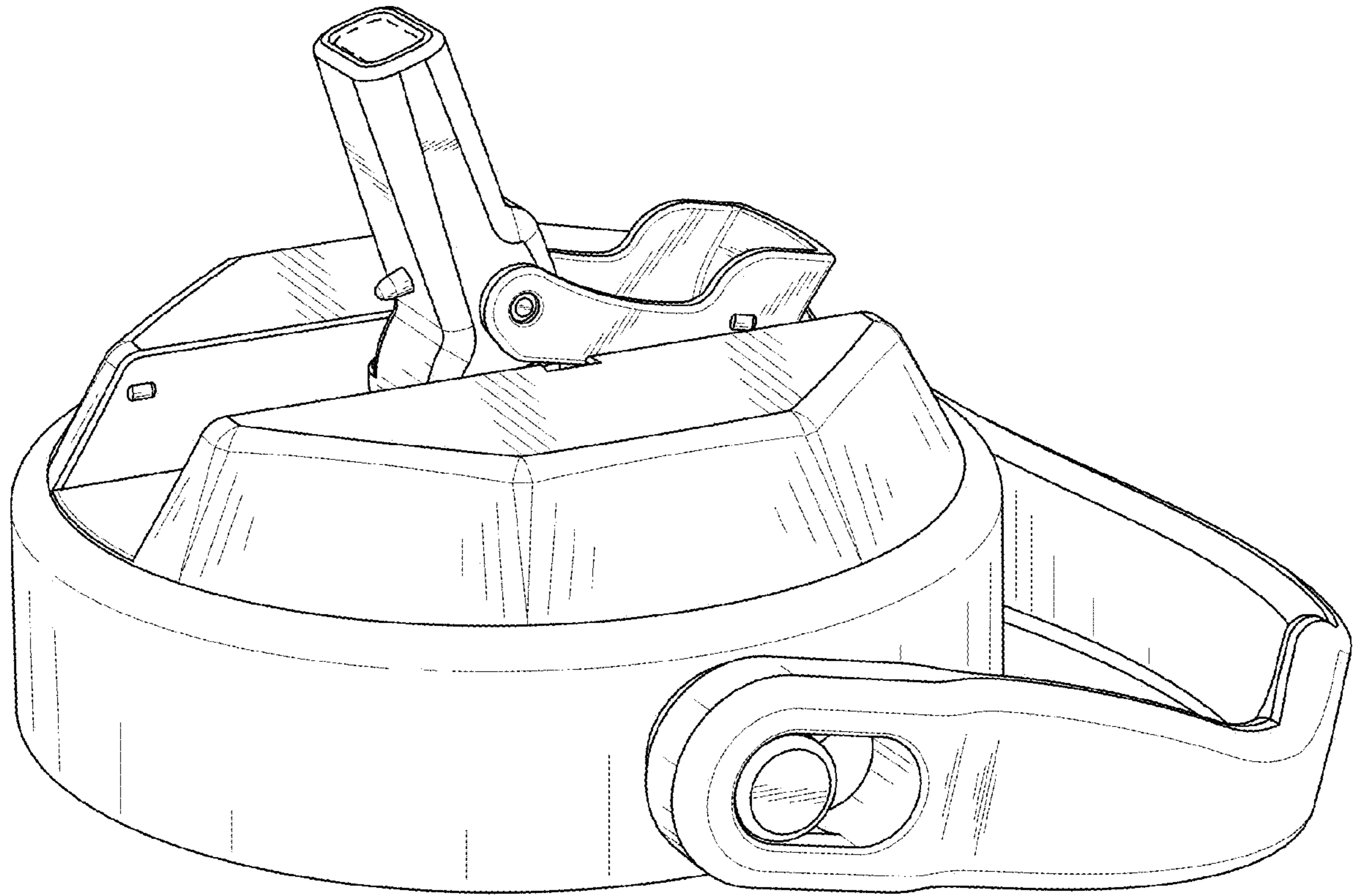


FIG. 4

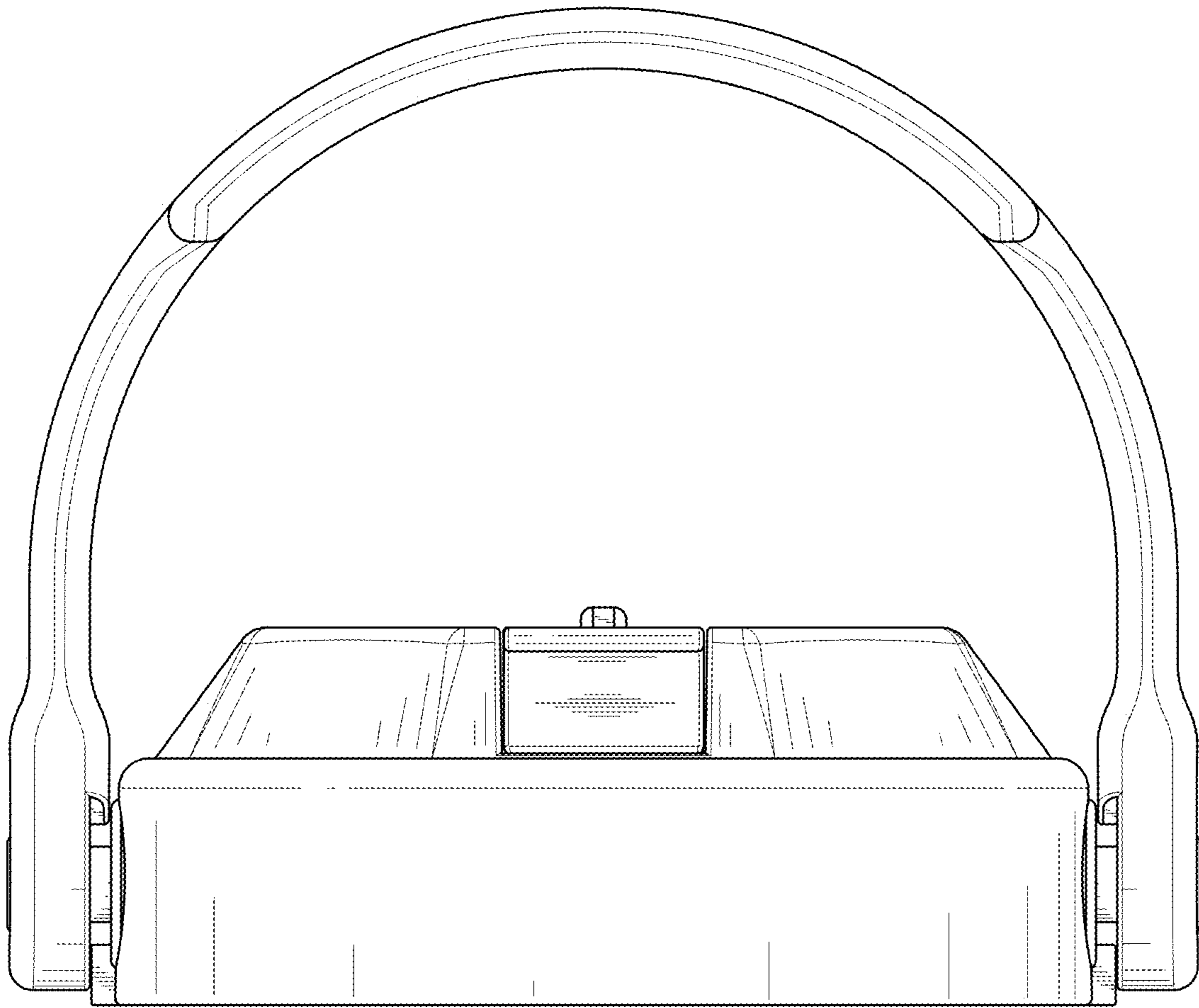


FIG. 5

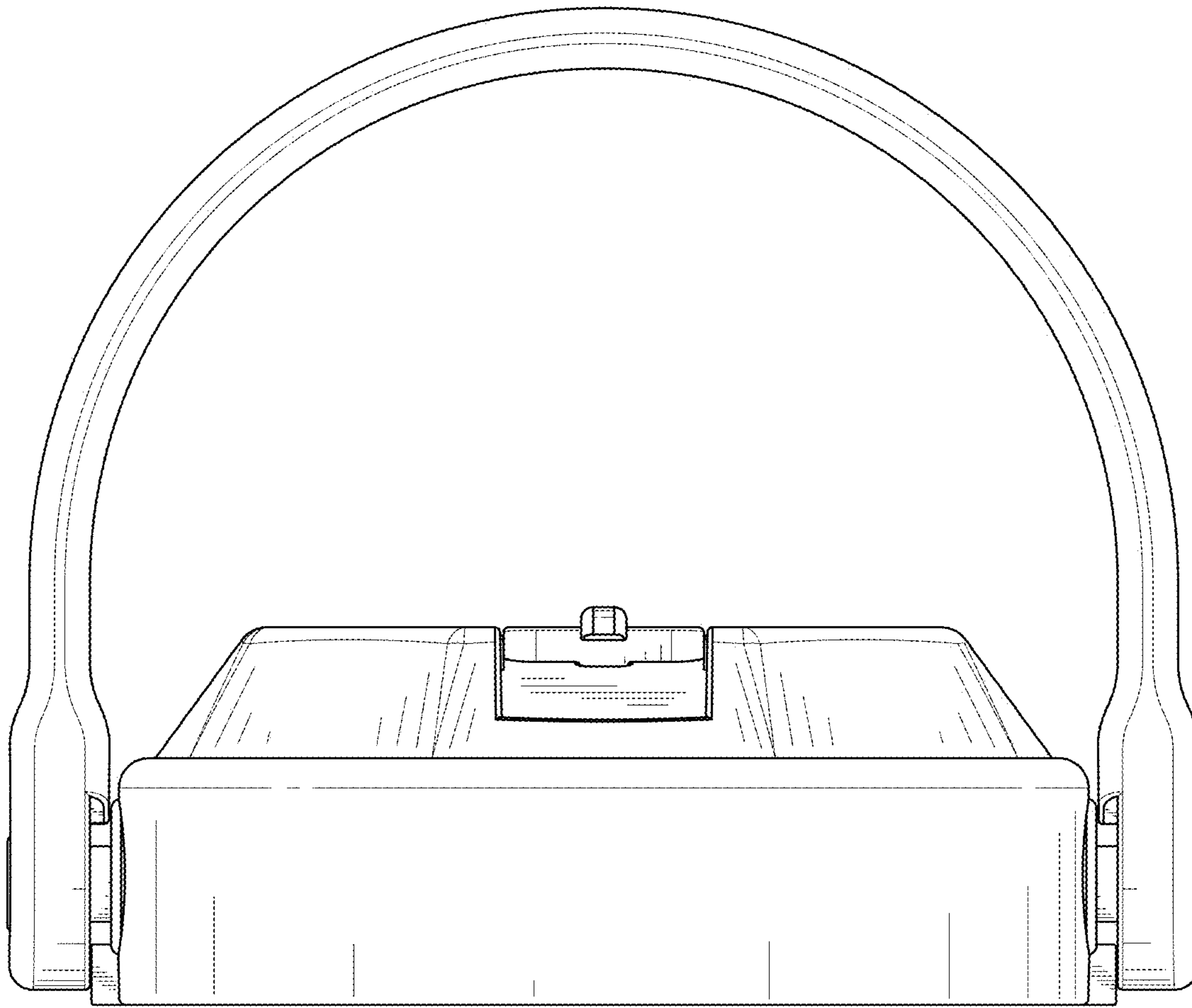


FIG. 6

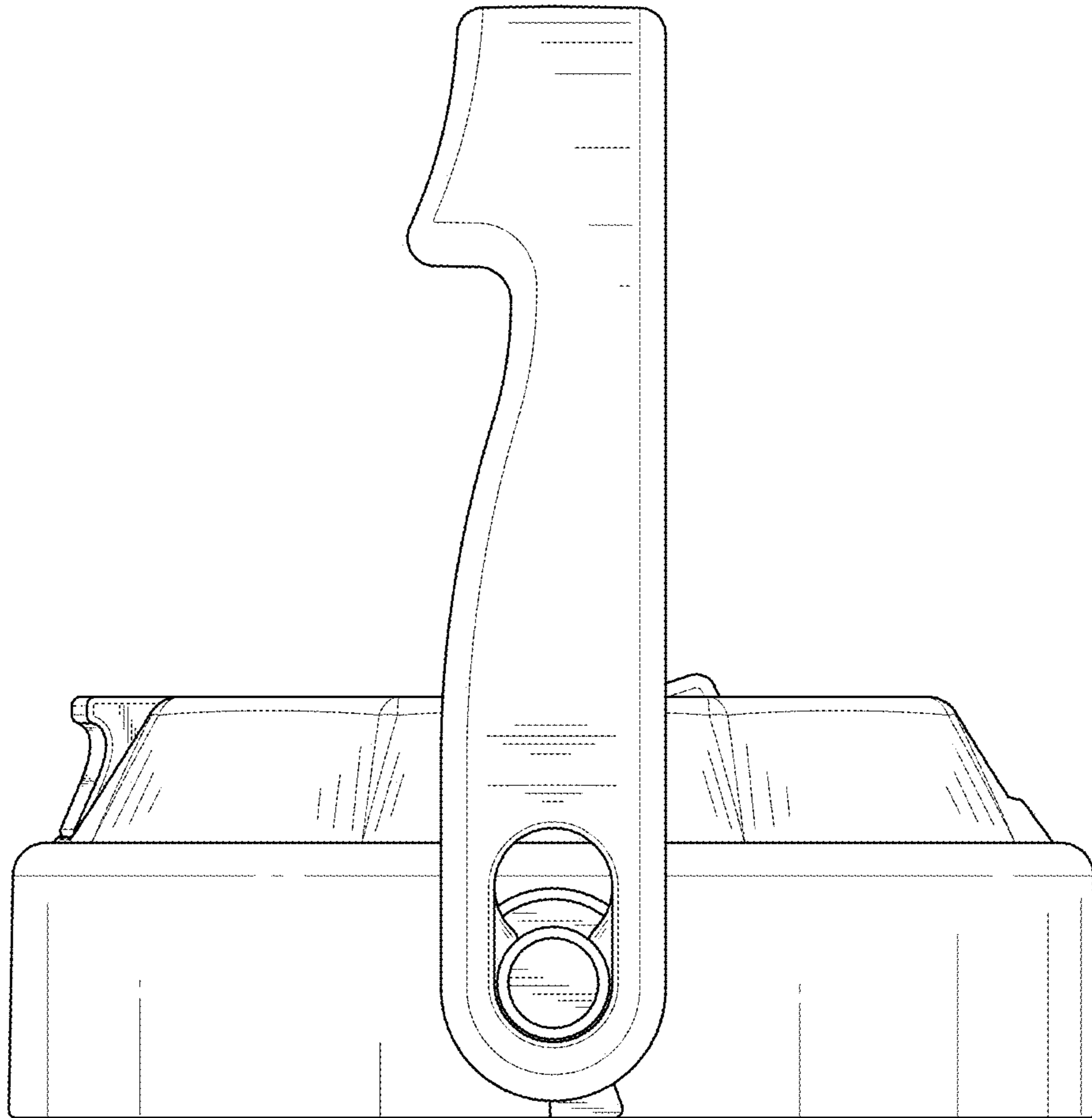


FIG. 7

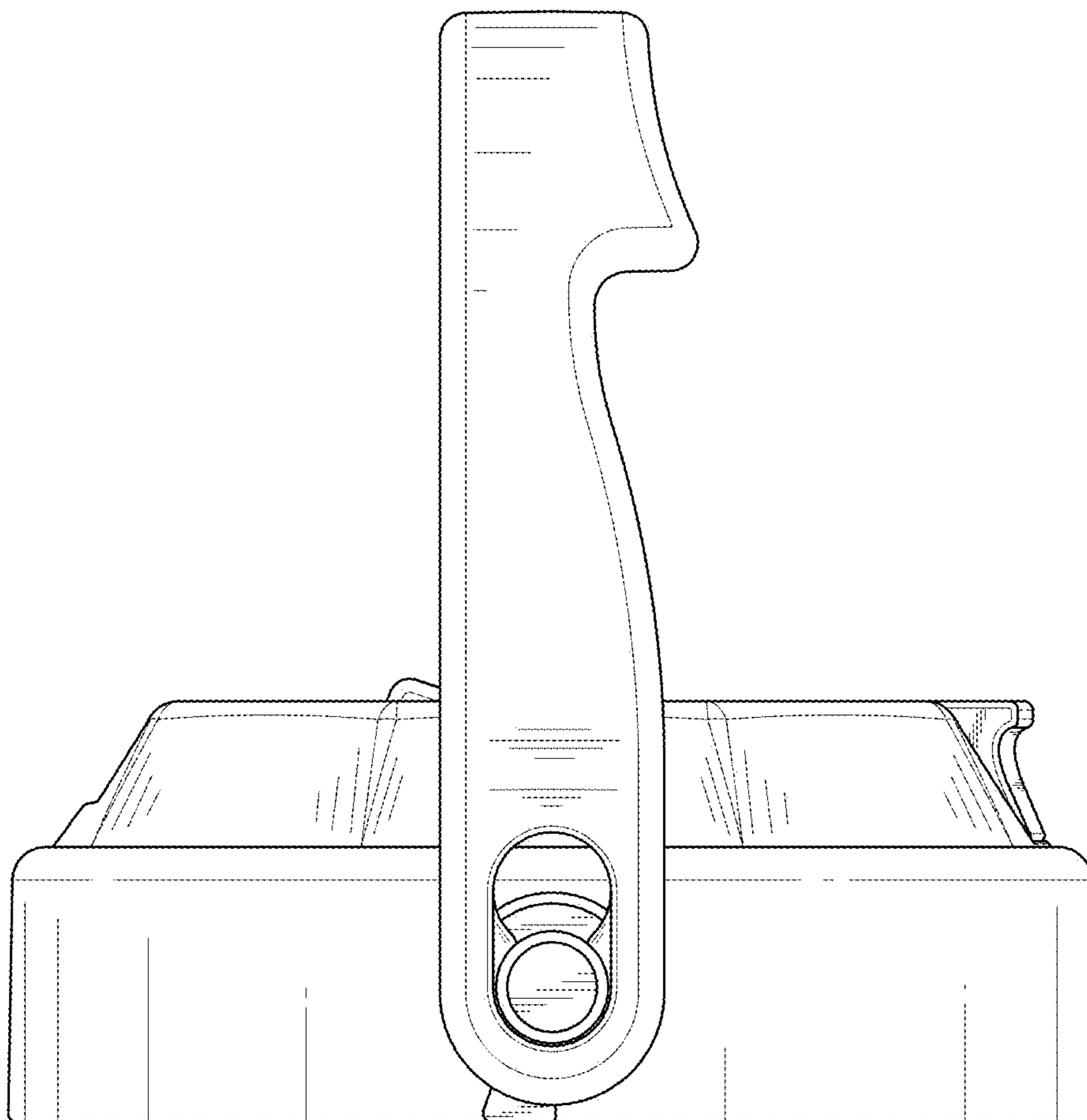


FIG. 8

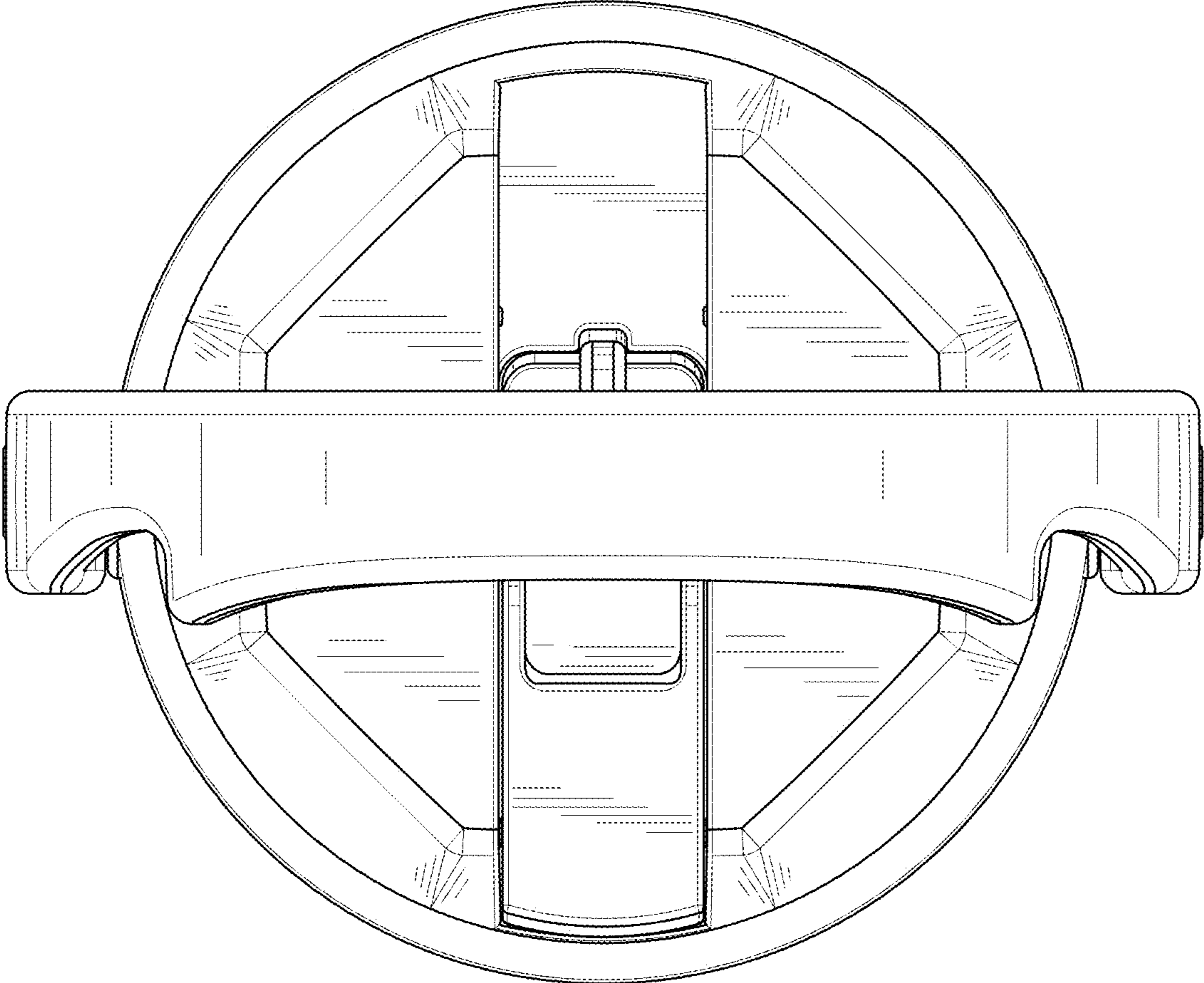


FIG. 9

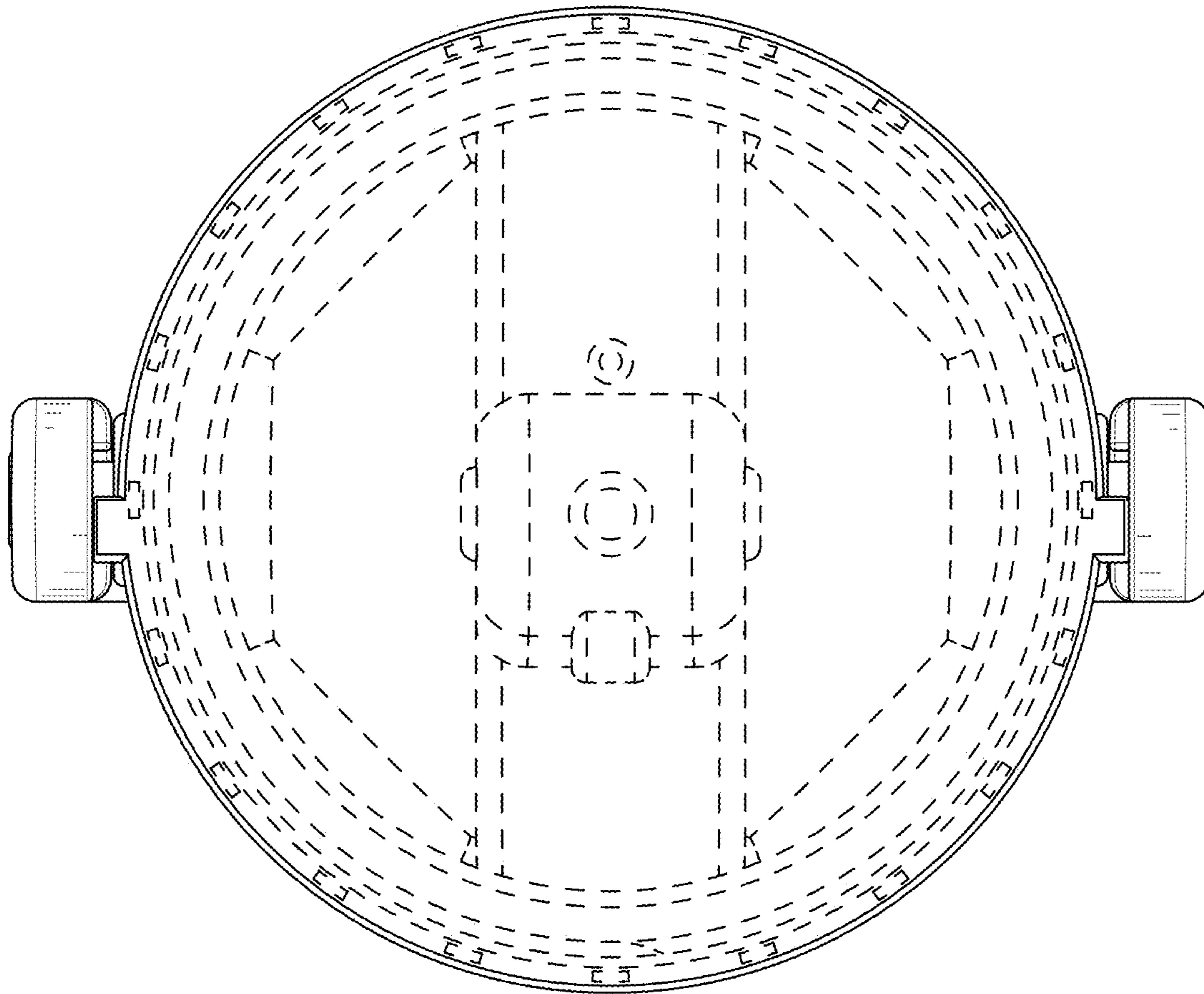


FIG. 10

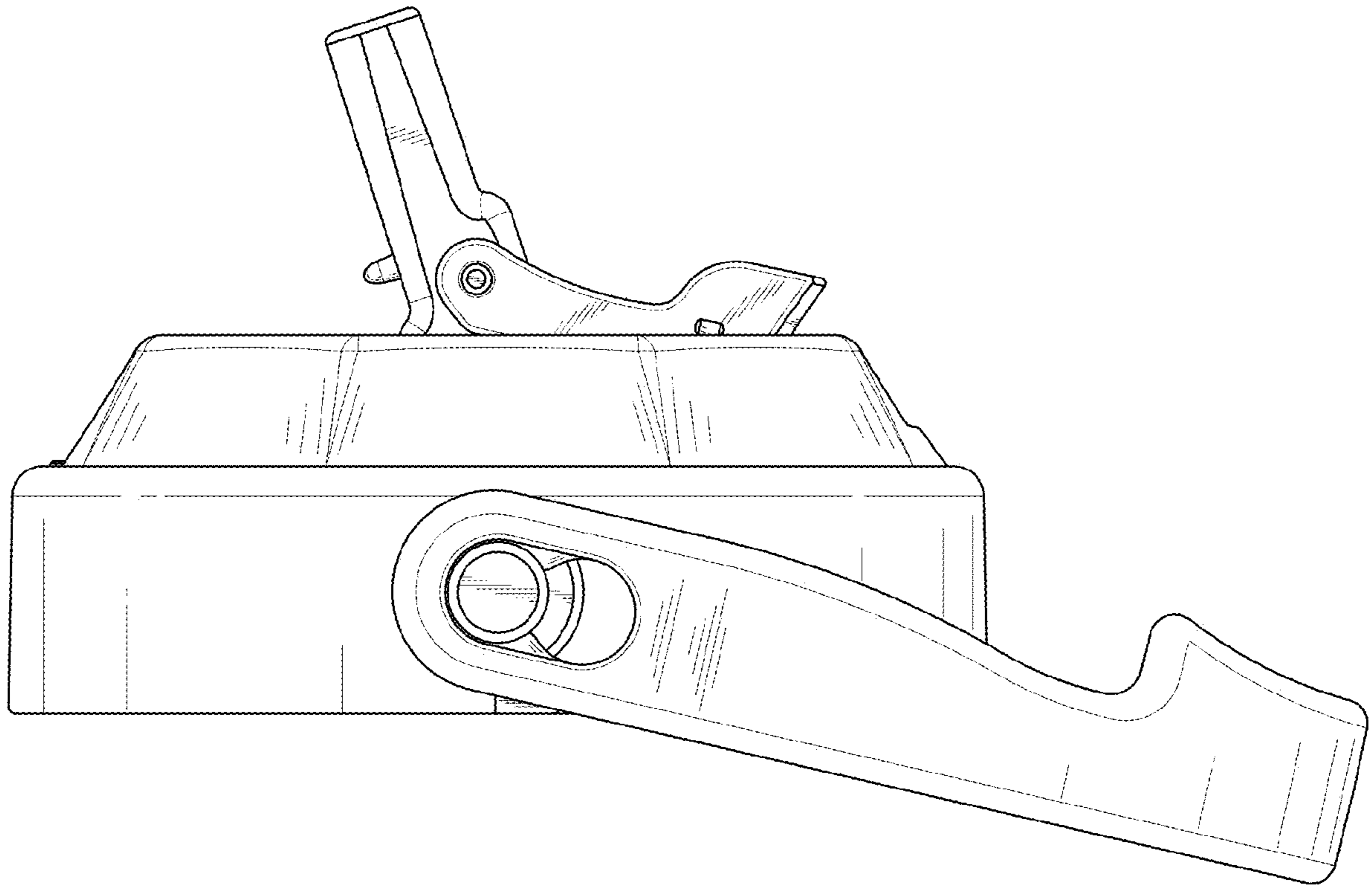


FIG. 11

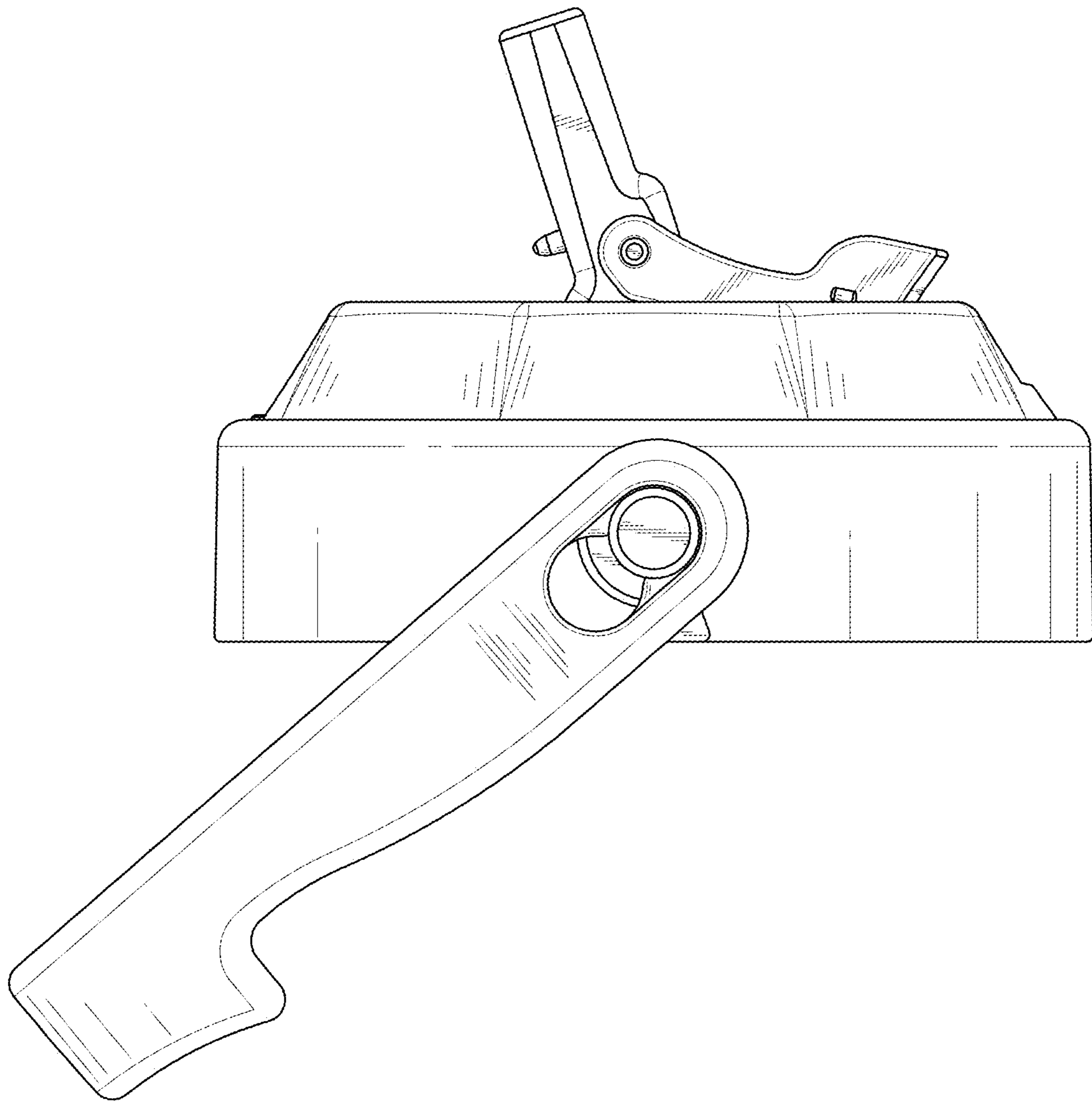


FIG. 12