



US00D896573S

(12) **United States Design Patent**
Wu

(10) **Patent No.:** **US D896,573 S**
(45) **Date of Patent:** **** Sep. 22, 2020**

(54) **BOTTLE LID**

(71) Applicant: **SHENZHEN GEXINNUO INTERNATIONAL TRADE CO., LTD.**, Bao'An District, Shenzhen (CN)

(72) Inventor: **Zekai Wu**, Shenzhen (CN)

(73) Assignee: **SHENZHEN GEXINNUO INTERNATIONAL TRADE CO., LTD.**, Shenzhen (CN)

(**) Term: **15 Years**

(21) Appl. No.: **29/677,665**

(22) Filed: **Jan. 23, 2019**

(51) **LOC (12) Cl.** **07-99**

(52) **U.S. Cl.**
USPC **D7/392.1; D7/396.2; D9/443; D9/447**

(58) **Field of Classification Search**
USPC D9/414, 434-436, 438-440, 443-457, D9/499, 503-505, 682, 685, 686; D7/387, 391, 392, 392.1, 396.2-396.4, D7/401.1, 507, 509-511, 538, 900; D3/202, 203.2, 318; D28/91.1
CPC .. A61J 1/00; A61J 1/1412; B65D 1/00; B65D 1/02; B65D 1/10; B65D 1/46; B65D 5/46; B65D 41/00; B65D 41/38; B65D 41/56; B65D 41/62; B65D 47/00; B65D 47/06; B65D 47/08; B65D 2251/00; B65D 2543/00046; B65D 2543/00092; B65D 2543/00296; B65D 2585/56; B65D 2585/545

See application file for complete search history.

(56) **References Cited**

U.S. PATENT DOCUMENTS

D165,653 S * 1/1952 Johnson D9/443
D547,607 S * 7/2007 Forsman D7/396.2
D649,879 S * 12/2011 Gullickson D9/443

D652,256 S * 1/2012 Eyal D7/510
D685,606 S * 7/2013 Keys D7/392.1
D688,093 S * 8/2013 Roth D7/392.1
D700,014 S * 2/2014 Zeanah D7/510
D704,986 S * 5/2014 Manies D7/392.1
D729,569 S * 5/2015 Herbst D7/392
D799,320 S * 10/2017 Goodwin D7/392.1
D801,111 S * 10/2017 Eyal D7/392.1
D807,110 S * 1/2018 Lown D7/391
D810,500 S * 2/2018 Maple D7/392.1
D811,162 S * 2/2018 Rane D7/396.2
D812,966 S * 3/2018 Murosky D7/396.2
D814,855 S * 4/2018 Hammer D7/392.1

(Continued)

Primary Examiner — Wendy L Arminio

(74) *Attorney, Agent, or Firm* — Law Offices of Steven W. Weinrieb

(57) **CLAIM**

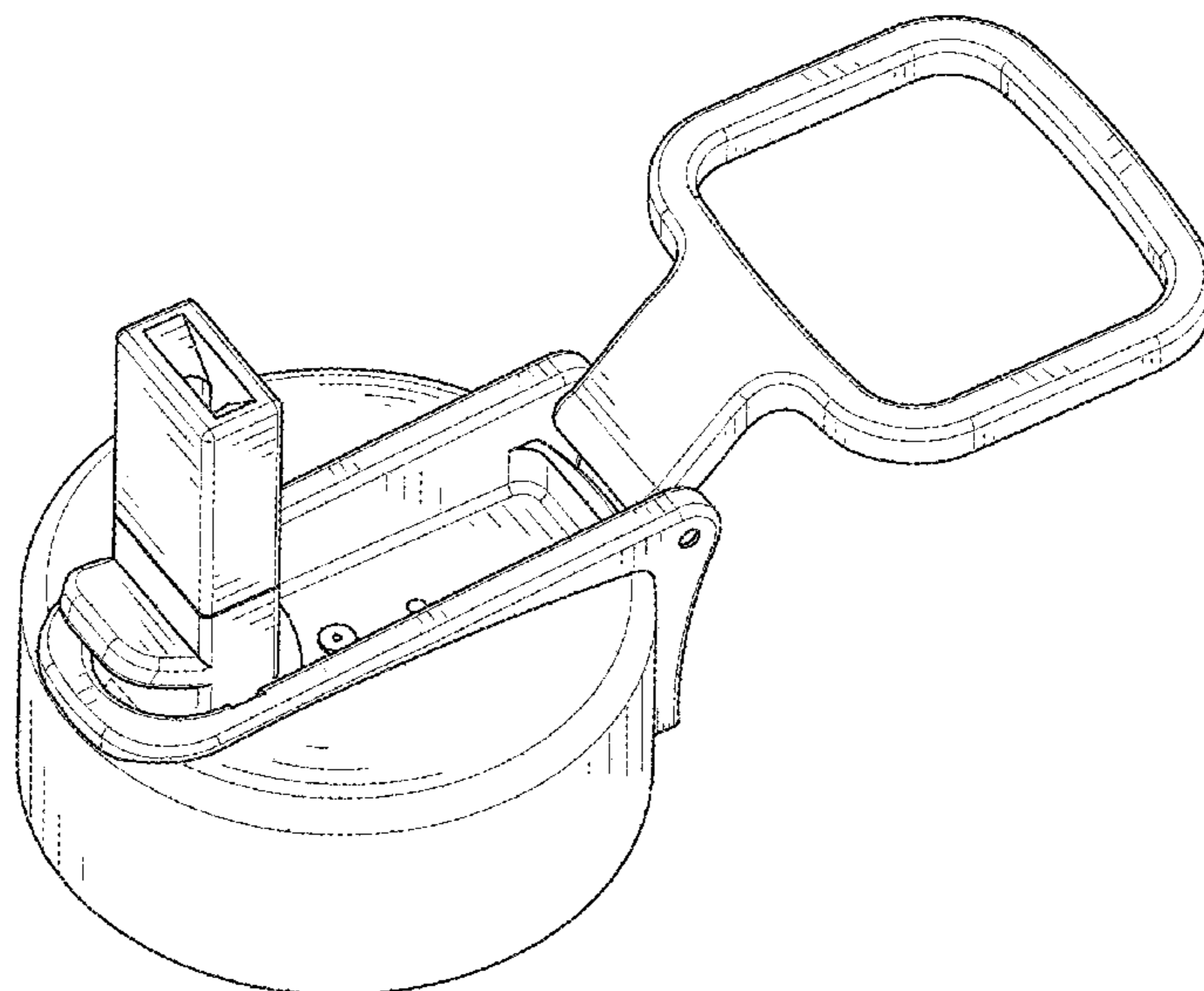
The ornamental design for a bottle lid, as shown and described.

DESCRIPTION

FIG. 1 is a front, right side, top perspective view of a bottle lid showing my new design;
FIG. 2 is a rear left side, bottom perspective view thereof;
FIG. 3 is a right side elevational view;
FIG. 4 is a left side elevational view thereof;
FIG. 5 is a front elevational view thereof;
FIG. 6 is a rear elevational view thereof;
FIG. 7 is a top plan view thereof;
FIG. 8 is a bottom plan view thereof; and,
FIG. 9 is a perspective view of the bottle lid of FIG. 1 shown with the water spout in a closed position and the handle in a downward position.

The broken lines in FIG. 2 immediately adjacent to the claimed portions depict the boundaries of the claim and form no part thereof. All other broken lines in the drawings depict environmental structure and form no part of the claimed design.

1 Claim, 9 Drawing Sheets



(56)

References Cited

U.S. PATENT DOCUMENTS

D820,637 S *	6/2018	Davis	D7/392.1
D830,772 S *	10/2018	Rosette	D7/510
D835,938 S *	12/2018	Zou	D7/392.1
D844,376 S *	4/2019	Rosette	D7/392
D856,066 S *	8/2019	Barber	D7/392.1
D868,534 S *	12/2019	Lin	D7/392.1
D870,508 S *	12/2019	Palkon	D7/392.1
D872,522 S *	1/2020	Diener	D7/392.1
D872,524 S *	1/2020	Bo	D7/392.1
2006/0226110 A1 *	10/2006	Choi	A47G 19/2266 215/228

* cited by examiner

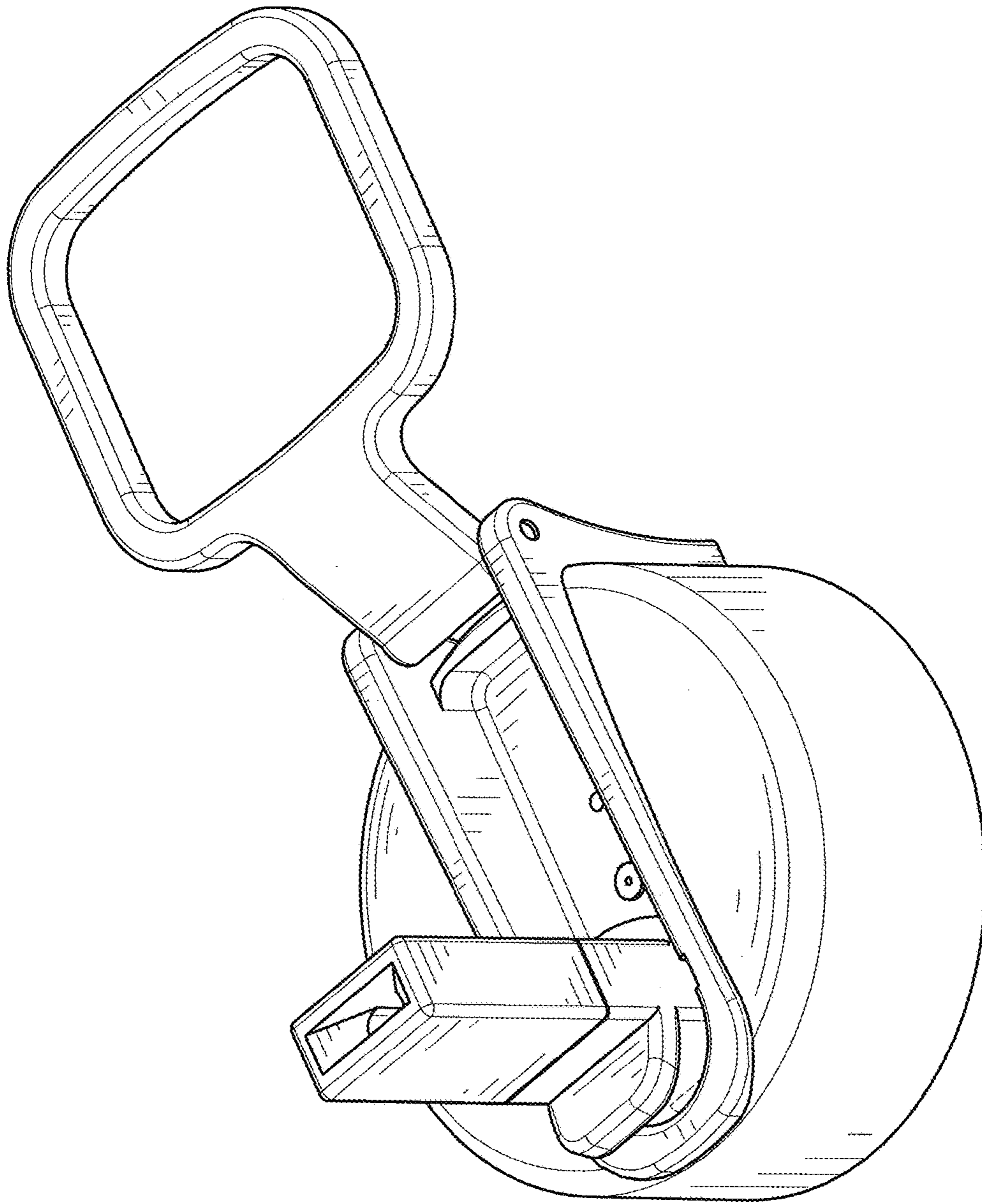


FIG. 1

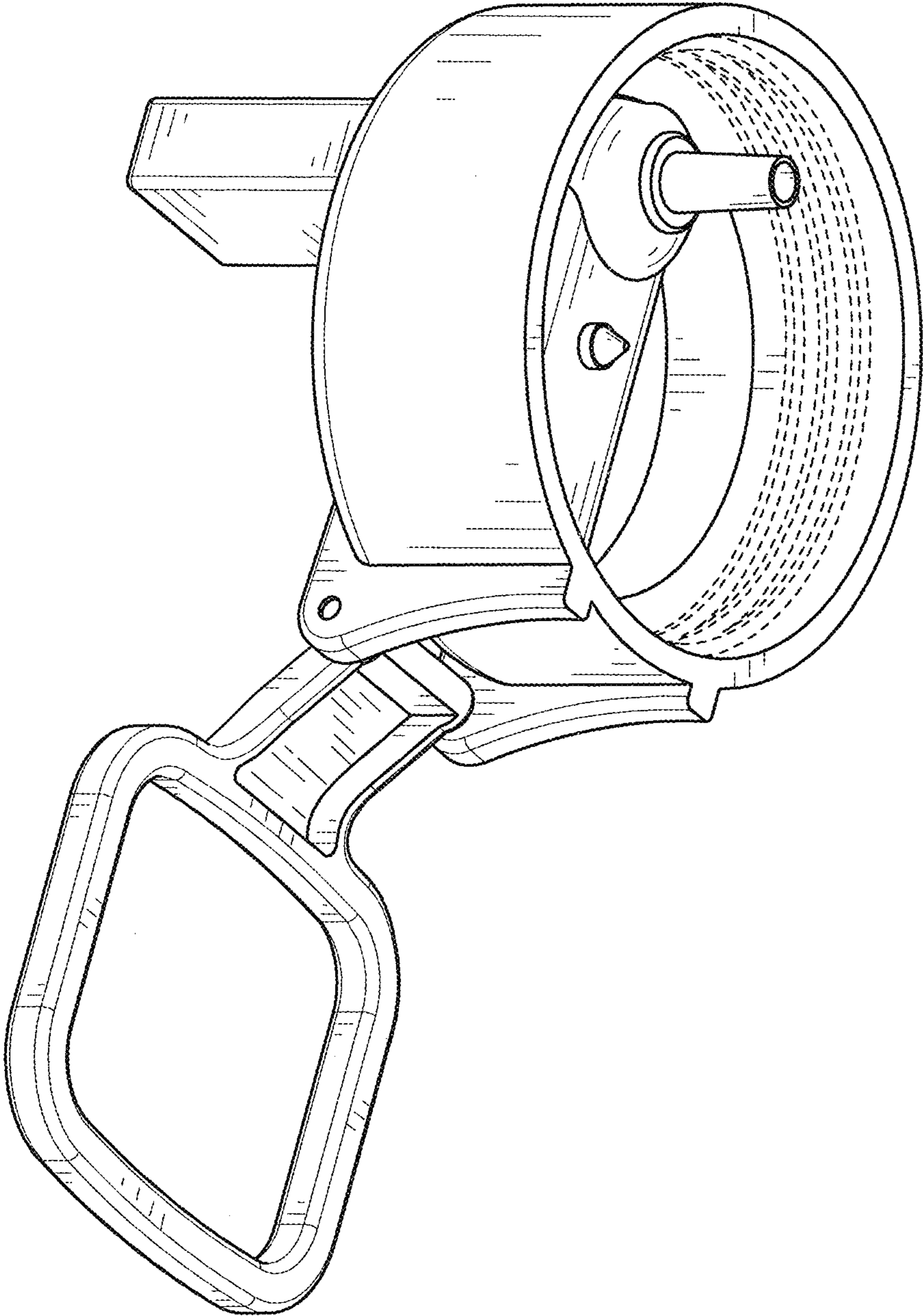


FIG. 2

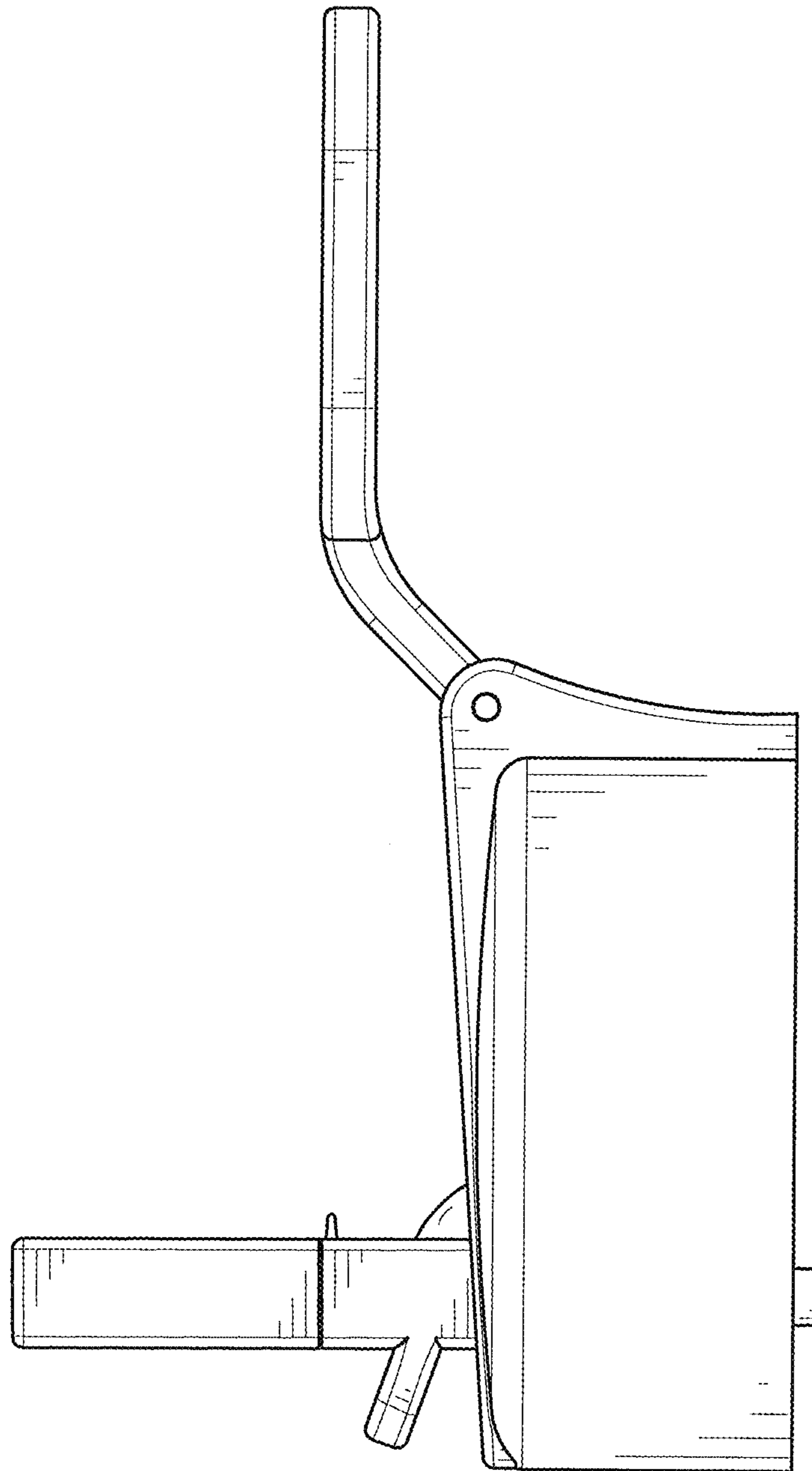


FIG. 3

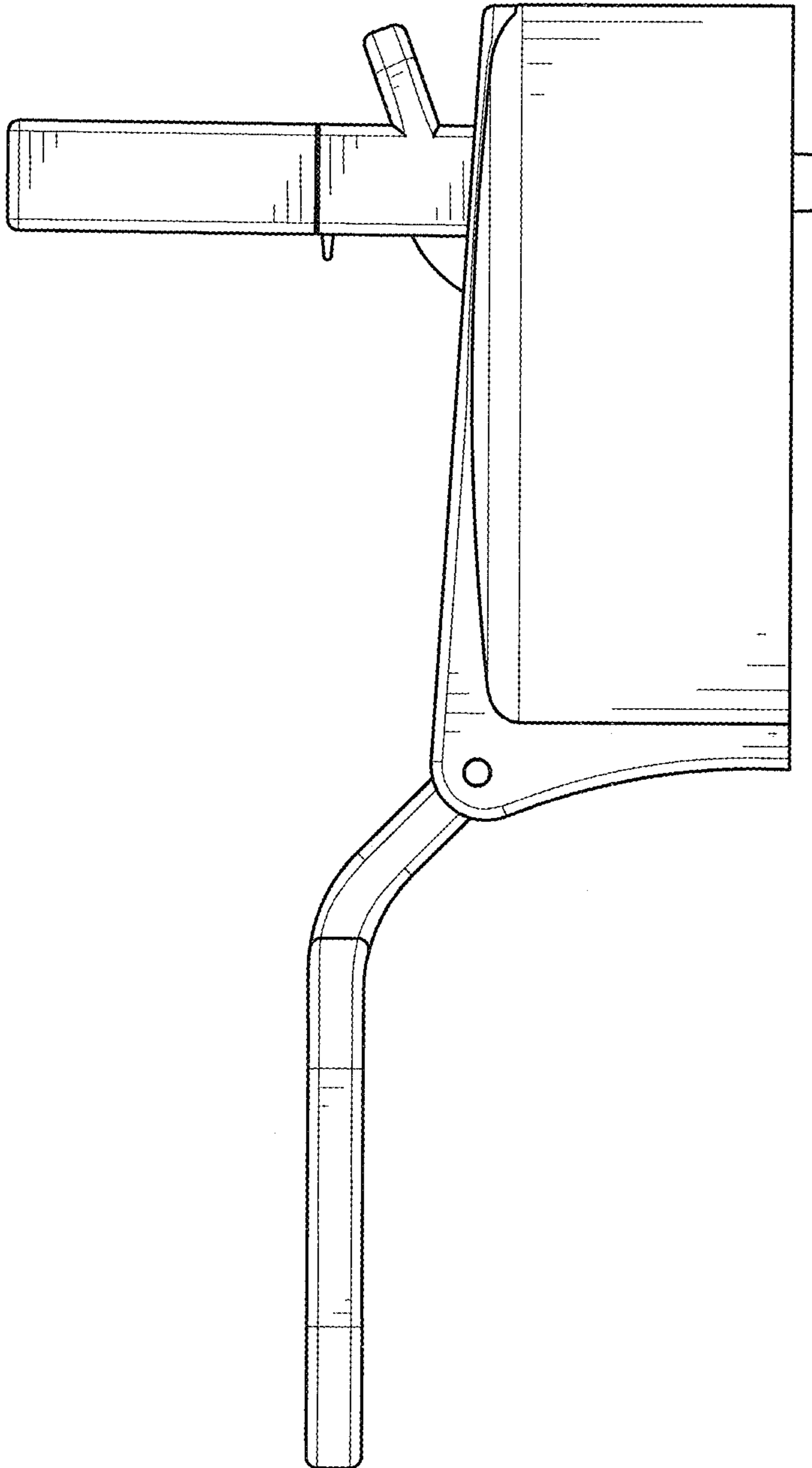


FIG. 4

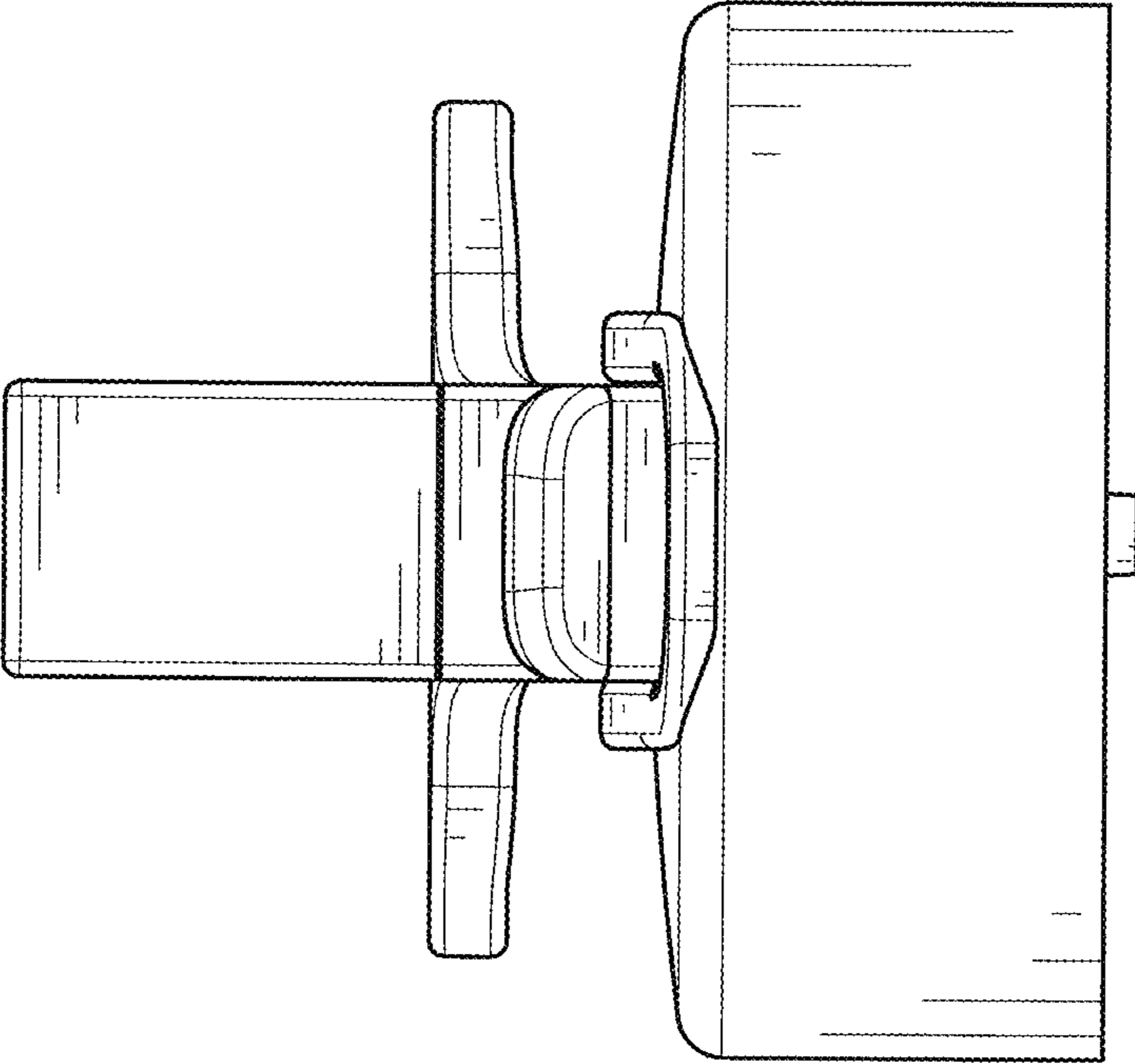


FIG. 5

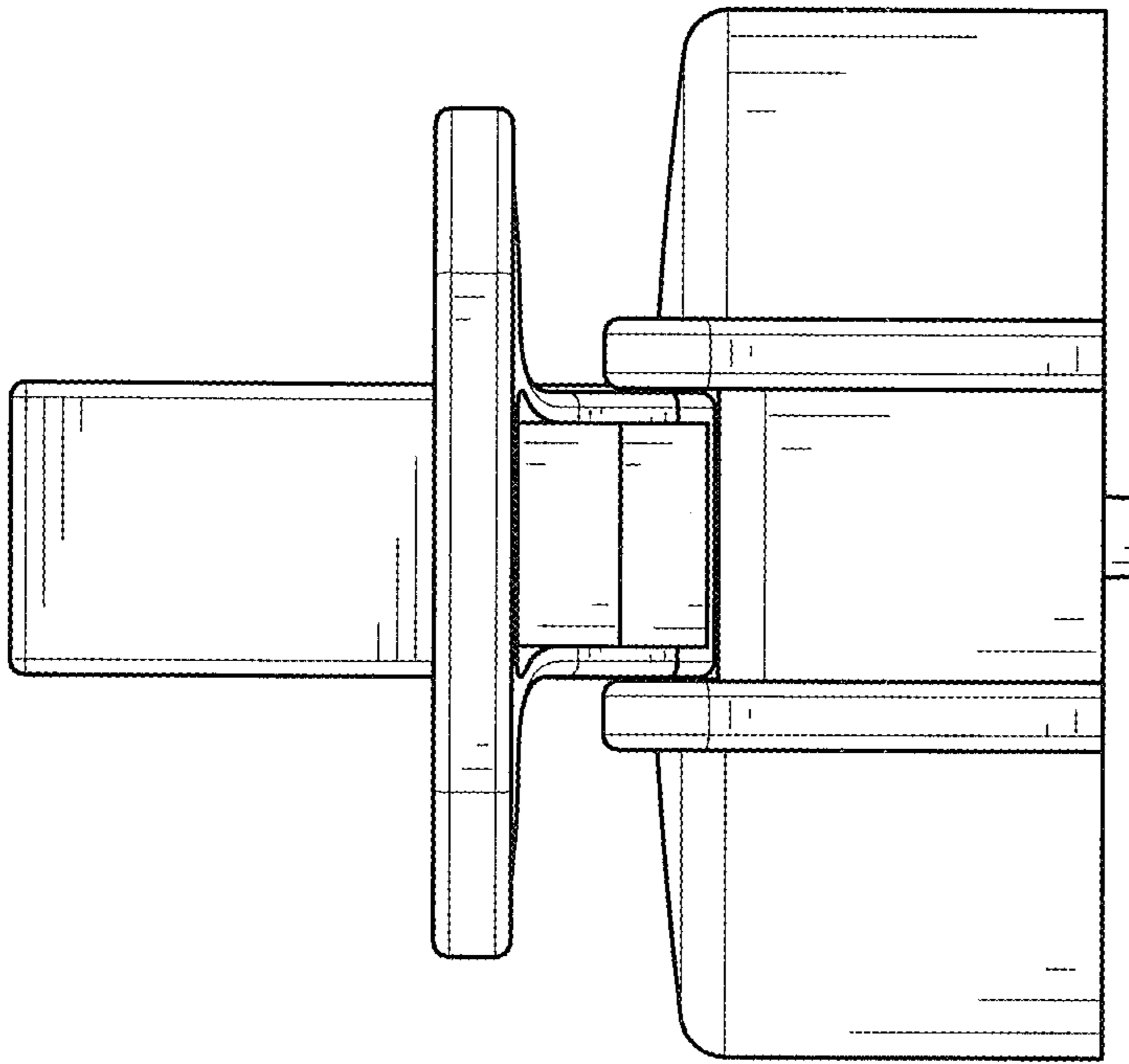


FIG. 6

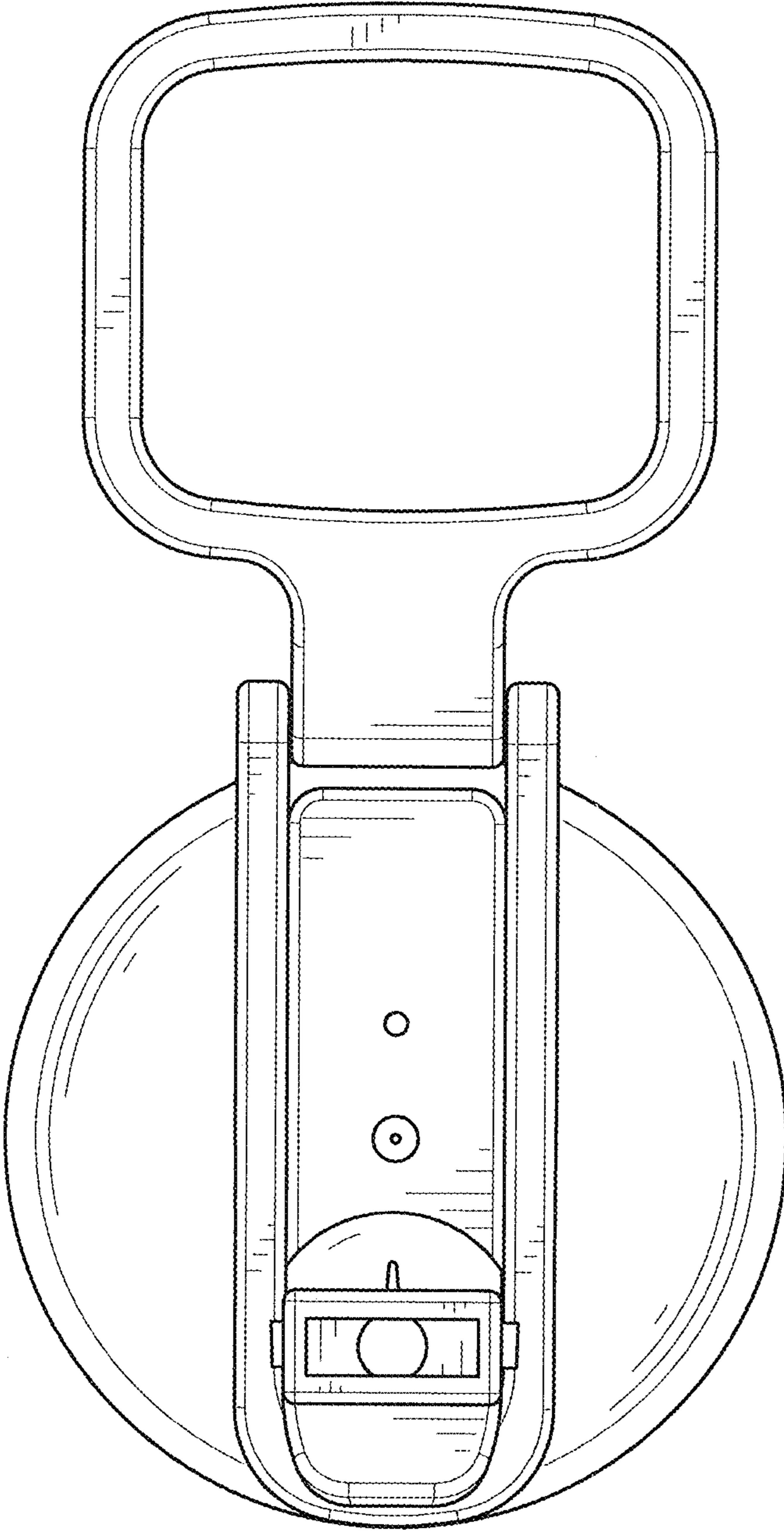


FIG. 7

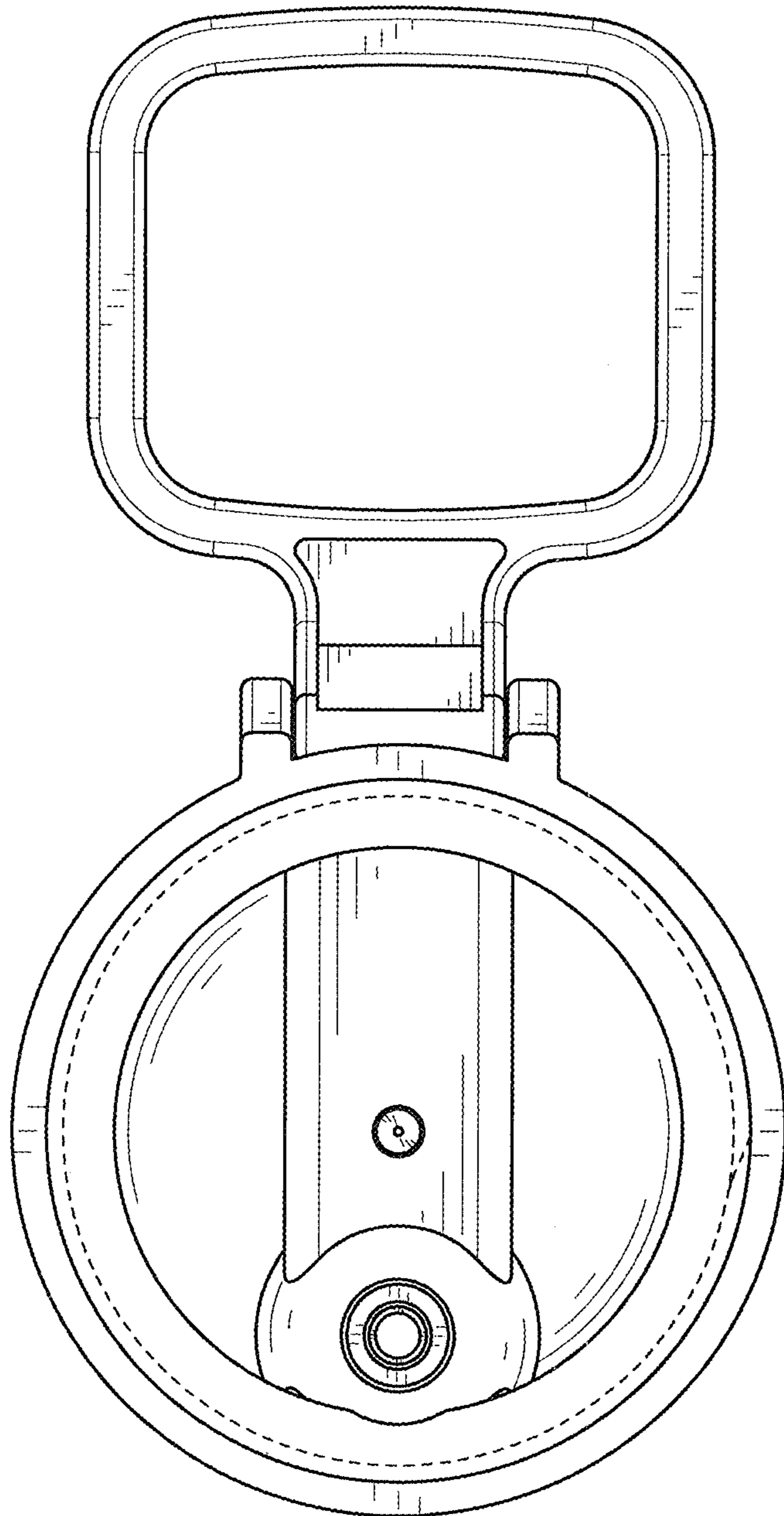


FIG. 8

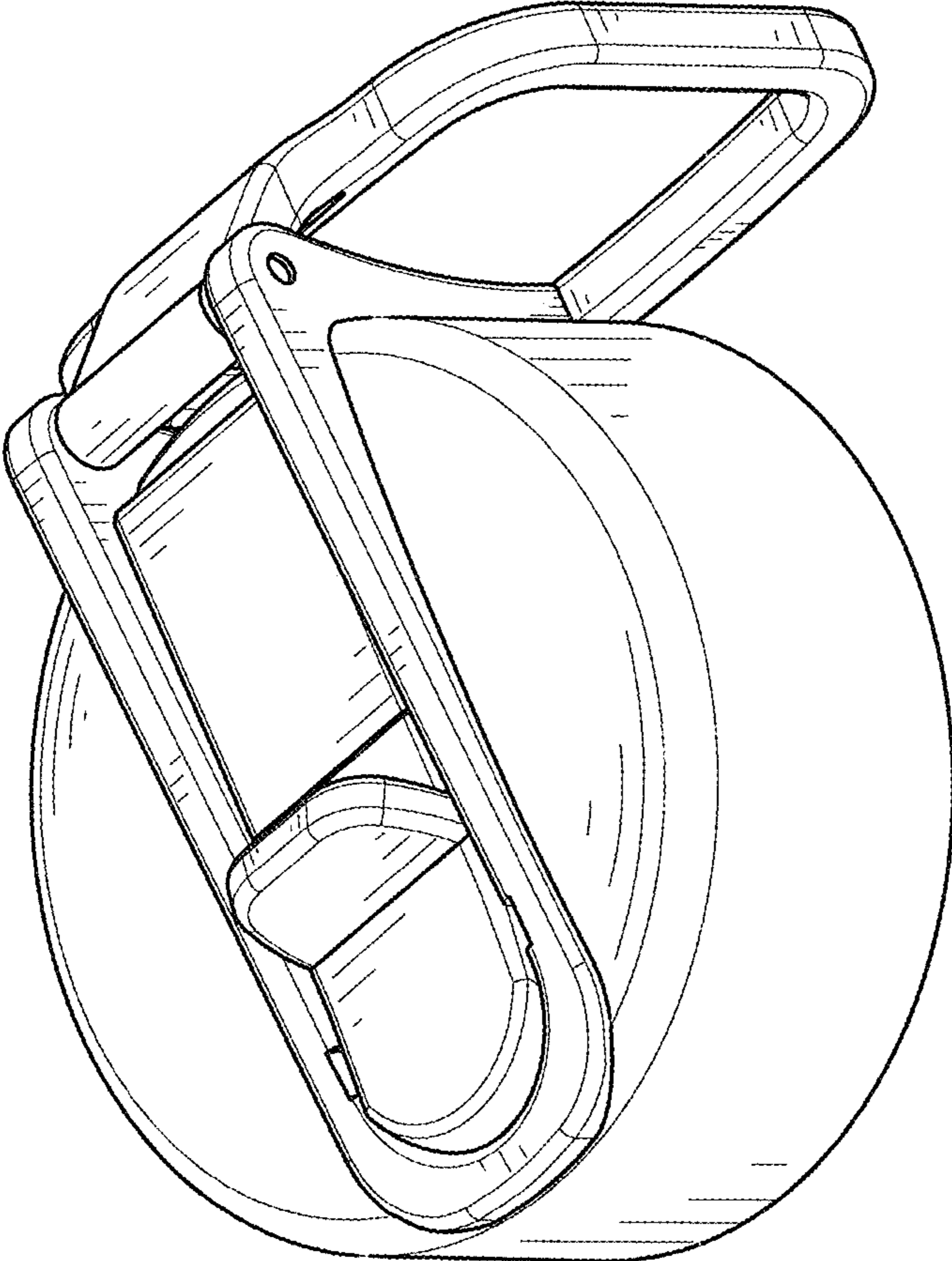


FIG. 9